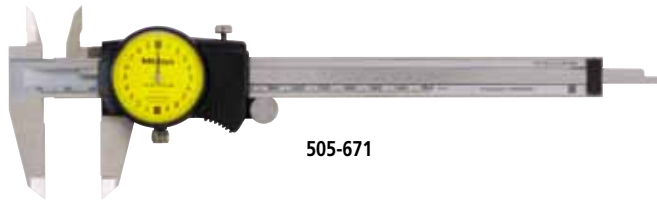


Calipers

SERIES 505 – Dial Caliper

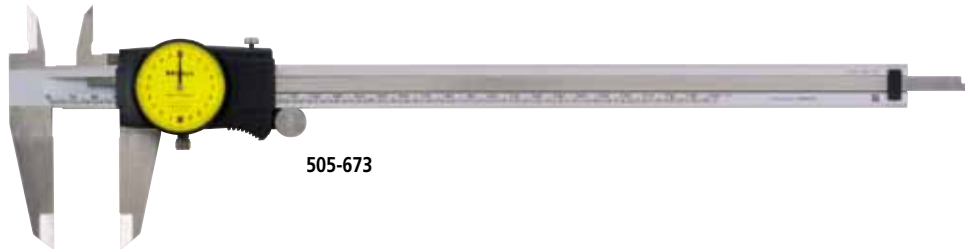
- Newly designed dial movement for ultra-smooth sliding and high shock protection.
- Titanium coating is applied to the sliding surfaces to enhance durability (except for 0-300 mm and 0-12" model).
- Easy-to-read yellow dial.
- Large finger rest aids ease of use.
- Jaw tips are relieved for easy measurement of thin parts.
- Can measure outside and inside dimensions, depth, and steps.



505-671

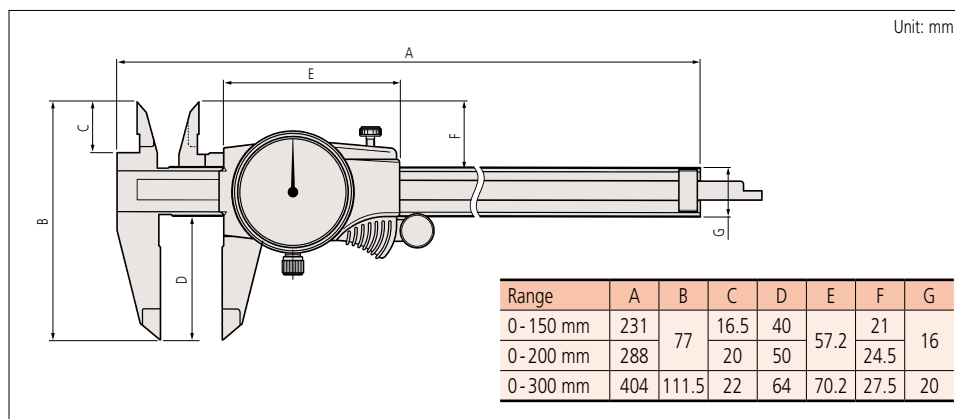


505-681



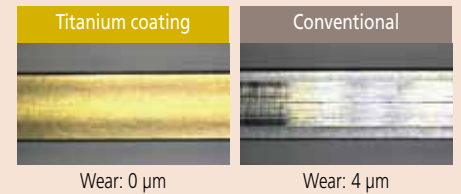
505-673

DIMENSIONS



Wear comparison of main scale slider face

Following photos show the condition of sliding surfaces after a sliding test comprising 100,000 movements. Smooth movement over the entire measuring range is assured even when you use a particular part of the sliding surface repeatedly.



SPECIFICATIONS

Metric					
Code No.	Range	Accuracy	Graduation	Remarks	Price
505-671	0 - 150 mm	±0.03 mm	0.02 mm, 2 mm/rev	—	£93.30
505-707				Carbide-tipped jaws for outside measurement	£204.00
505-711				Carbide-tipped jaws for outside and inside measurement	£250.00
505-681	0 - 200 mm	±0.02 mm	0.01 mm, 1 mm/rev	—	£97.50
505-685				Silver cover type	£94.50
505-672	0 - 200 mm	±0.03 mm	0.02 mm, 2 mm/rev	—	£124.00
505-682					0.01 mm, 1 mm/rev
505-673	0 - 300 mm	±0.04 mm	0.02 mm, 2 mm/rev	—	£210.00

Inch					
Code No.	Range	Accuracy	Graduation	Remarks	Price
505-675	0 - 6"	±.001"	.001", .1"/rev	—	£93.30
505-708				Carbide-tipped jaws for outside measurement	£215.00
505-712				Carbide-tipped jaws for outside and inside measurement	£260.00
505-676	0 - 8"	±.002"	.001", .1"/rev	—	£124.00
505-690				Silver cover type	£150.00
505-709				Carbide-tipped jaws for outside measurement	£250.00
505-713	0 - 12"	±.002"	.001", .2"/rev	Carbide-tipped jaws for outside and inside measurement	£320.00
505-720				—	£210.00
505-677				Silver cover type	£225.00
505-721				Carbide-tipped jaws for outside measurement	£260.00
505-710				Carbide-tipped jaws for outside measurement, silver cover type	£370.00
505-714	0 - 12"	±.002"	.001", .1"/rev	Carbide-tipped jaws for outside and inside measurement, silver cover type	£530.00
505-714				Carbide-tipped jaws for outside and inside measurement, silver cover type	£530.00