

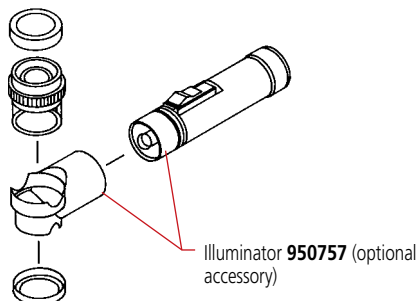
Pocket Comparators

SERIES 183 – Interchangeable Reticle Magnifier

- Small dimensions and angles, including radii and screw-thread form, can be checked easily at low resolution simply by interchanging optional reticles in the magnifier.
- An optional illuminator (950757) is available.



183-101



Illuminator 950757 (optional accessory)

Technical Data

Reticle size: ø30 mm
Includes box

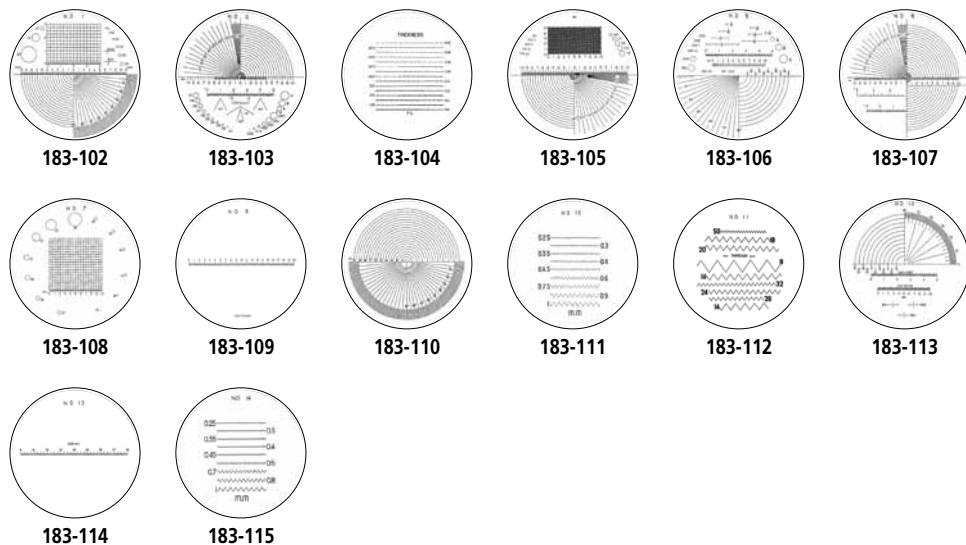
Optional Accessory

950757: Illuminator (without battery)
£35.00

SPECIFICATIONS

Code No.	Magnification	Remarks	Price
183-101	8X	Optional reticles available	£36.50
183-121	9X	Optional reticles available	£70.00
183-131	10X	Optional reticles available	£71.10

Optional Reticles



Code No.	Description	Price
183-102	Polar net, angle, radius	£18.50
183-103	Angle, radius, length, diameter	£18.50
183-104	Fine thickness	£18.50
183-105	Angle, radius, length, diameter, polar net in mm	£18.50
183-106	Angle, radius, length, diameter	£18.50
183-107	Angle, radius, length	£18.50
183-108	Polar net, diameter	£18.50
183-109	Length in mm	£18.50
183-110	Angle, radius	£18.50
183-111	Thread pitches (metric)	£18.50
183-112	Thread pitches (inch)	£18.50
183-113	Angle, radius, length	£18.50
183-114	Length in inches	£18.50
183-115	Thread pitches (metric)	£18.50