

80mm sq.

San Ace 80W

25mm thick(WP type), 25mm thick(WS type)
38mm thick(WV type)



General Specifications

- Material Frame: Plastics (Flammability: UL94V-0),
Impeller: Plastics (Flammability: UL94V-1)
- Expected Life Refer to specifications (Indoor, L10:Survival rate: 90% at 60°C,
rated voltage, and continuously run in a free air state)
- Lead Wire ⊕red ⊖black (Sensor) yellow
- Storage Temperature -30°C to +70°C (Non-condensing)

80×80×25mm (Mass : 130g) **IP 68** **WP**type

Specifications

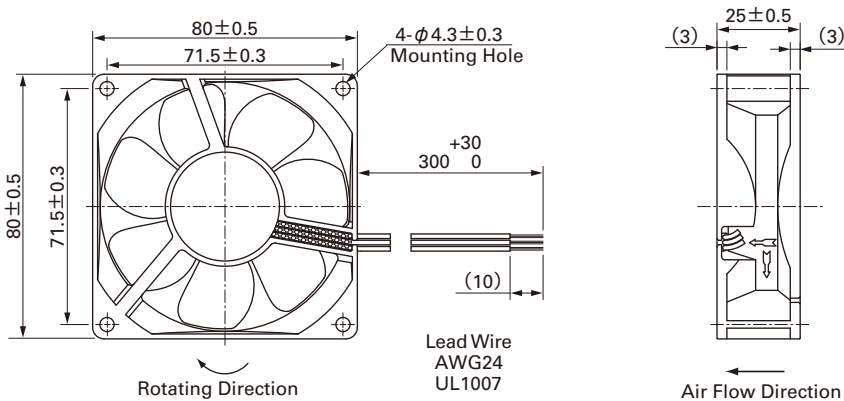
The following nos. **have pulse sensors and ribs**. For ribless, append "1" to the model no.

| Model No. | Rated Voltage [V] | Operating Voltage Range [V] | Rated Current [A] | Rated Input [W] | Rated Speed [min ⁻¹] | Max. Air Flow [m ³ /min] [CFM] | Max. Static Pressure [Pa] [inchH ₂ O] | SPL [dB(A)] | Operating Temperature [°C] | Expected Life [h] |
|-------------|-------------------|-----------------------------|-------------------|-----------------|----------------------------------|---|--|-------------|----------------------------|-------------------|
| 9WP0812G401 | 12 | 10.8 to 13.2 | 0.38 | 4.56 | 4,500 | 1.50 53 | 80.4 0.323 | 40 | -20 to +70 | 40,000 |
| 9WP0812H401 | | 10.2 to 13.8 | 0.13 | 1.56 | 2,900 | 1.03 36.4 | 35.3 0.142 | 29 | | 60,000 |
| 9WP0824S401 | 24 | 20.4 to 27.6 | 0.1 | 2.4 | 3,400 | 1.20 42.4 | 48.0 0.193 | 34 | | 40,000 |
| 9WP0824H401 | | | 0.07 | 1.68 | 2,900 | 1.03 36.4 | 35.3 0.142 | 29 | | 60,000 |
| 9WP0848S401 | 48 | 40.8 to 55.2 | 0.06 | 2.88 | 3,400 | 1.20 42.4 | 48.0 0.193 | 34 | 40,000 | |

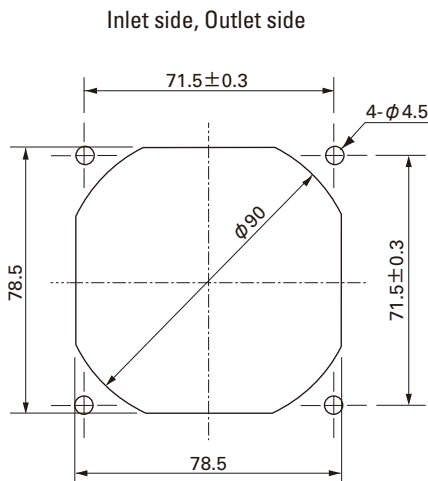
Available options: ⇒ **Without Sensor**

Please inquire as the availability of these functions depend on the model. ⇒ **Lock Sensor**

Dimensions (Unit : mm) (With ribs)



Reference dimension of mounting holes and vent opening (Unit : mm)



Options (Unit : mm)

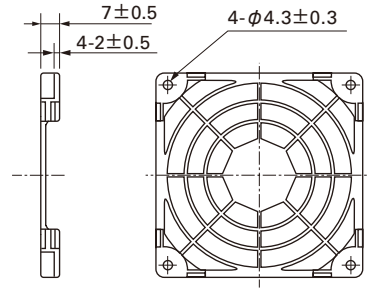
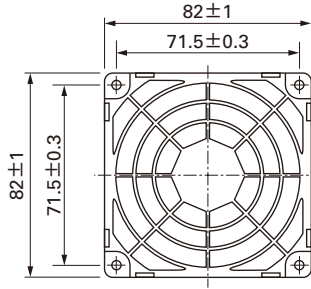
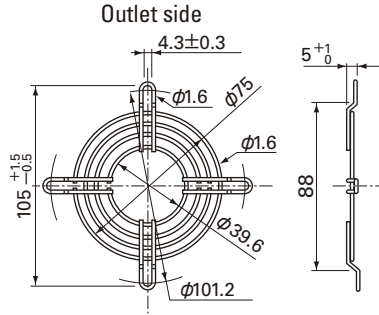
Finger guards

Model : 109-049C Surface treatment : Nickel-chrome plating (silver) Color

Color

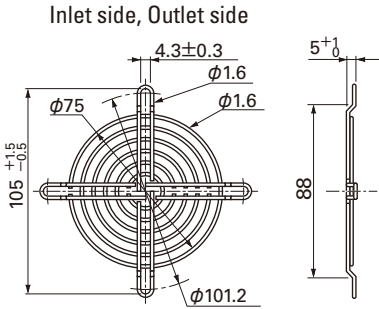
Resin Finger guards

Model : 109-1002G

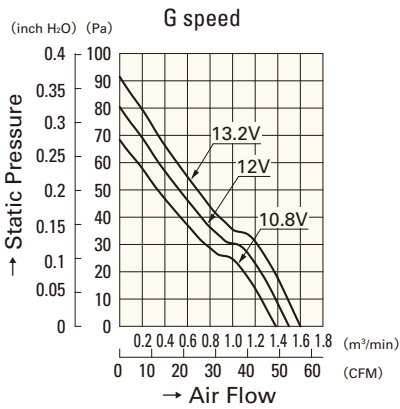


Model : 109-049E Surface treatment : Nickel-chrome plating (silver) Color
: 109-049H : Cation electropainting (black)

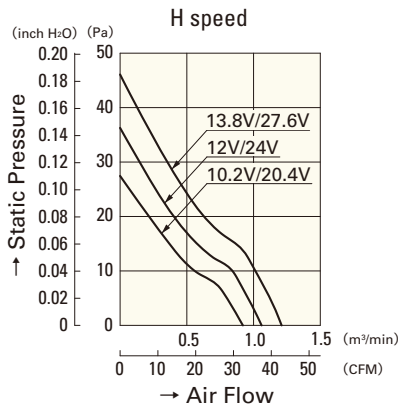
Color



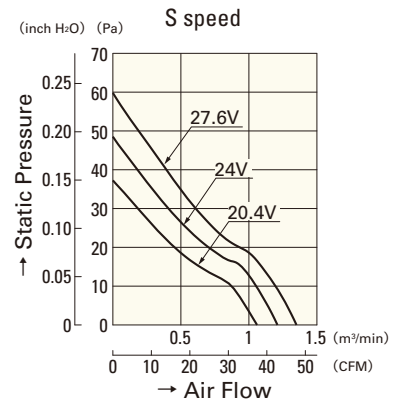
Air Flow - Static Pressure Characteristics



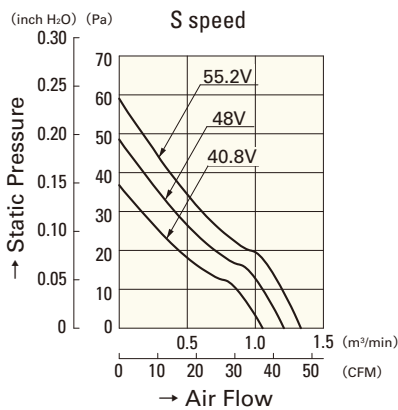
9WP0812G401



9WP0812H401
9WP0824H401



9WP0824S401



9WP0848S401