

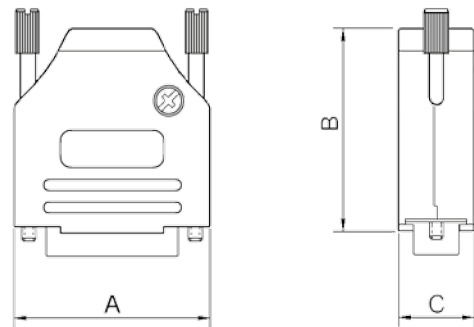
TECHNICAL SPECIFICATIONS

Material:	Zinc, Nickel Plated
Operating Temperature:	-40°C to +120°C
Cable Entry:	Top Entry
Thumbscrews:	UNC 4-40 (Standard) M2,5 or M3 on request
Cable O.D.:	Up to 13mm
Accessories:	See page 186-190
Assembly Instruction:	See page 197

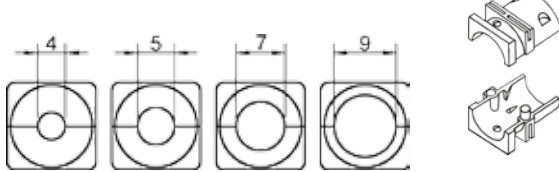


Features:

- Rapid Assembly (RA)
- Available in sizes 9-15-25-37
- Excellent EMI Shielding
- Re-openable
- Strain relief inserts ensure a secure termination
- Full Metal Jackscrew as standard
- Also available in Standard Assembly - See next page



Grommet Sizes / DTZK09-37:



Size MHDTZK	Dim A	Dim B	Dim C
9-way	31,2	39,9	15,0
15-way	39,5	41,5	15,0
25-way	53,4	48,6	15,0
37-way	69,7	53,6	15,0

Ordering information:

Size:	P/N - Kitted:	Product Code:
9-way	6560-0605-01	MHDTZK-9-RA-K
15-way	6560-0605-02	MHDTZK-15-RA-K
25-way	6560-0605-03	MHDTZK-25-RA-K
37-way	6560-0605-04	MHDTZK-37-RA-K

Size:	P/N - BULK:	Product Code:
9-way	6561-0605-01	MHDTZK-9-RA
15-way	6561-0605-02	MHDTZK-15-RA
25-way	6561-0605-03	MHDTZK-25-RA
37-way	6561-0605-04	MHDTZK-37-RA