

Modular Telephone Plug



**RoHS
Compliant**

Specification:

Material:

Insulator : Polycarbonate
 Insulator Colour : Clear
 Contact : Phosphor Bronze

Contact Plating:

50 µin Gold (optional 15 or 30 µin) over Nickel underplate

Electrical:

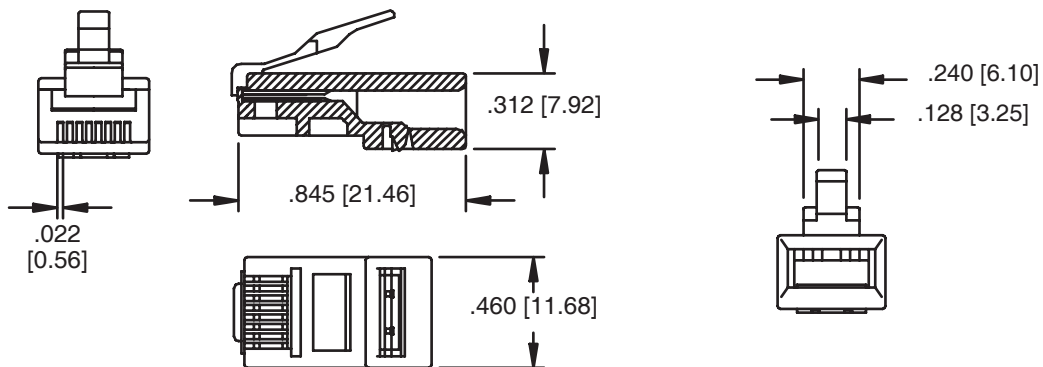
Operation Voltage : 150V AC Max.
 Current Rating : 1.5A Max.
 Contact Resistance : 20mΩ Max. initial
 Insulation resistance : 500MΩ Min.
 Dielectric Withstanding Voltage : 1,000V AC for 1 minute

Mechanical:

Cable to Plug Tensile Strength : 7.71kgs (17 Lbs) Min.
 Durability : 250 Cycles Min.
 Wire range : 26AWG to 28AWG

Temperature Rating:

Operating Temperature : -40°C to +70°C



Dimensions : Inches (Millimeters)

Part Number Table

Description	Part Number
CAT5/CAT5E RJ45 Modular Plug 8Pos 1 Port	MTP-88-U-EMI

Important Notice : This data sheet and its contents (the "Information") belong to the members of the Premier Farnell group of companies (the "Group") or are licensed to it. No licence is granted for the use of it other than for information purposes in connection with the products to which it relates. No licence of any intellectual property rights is granted. The Information is subject to change without notice and replaces all data sheets previously supplied. The Information supplied is believed to be accurate but the Group assumes no responsibility for its accuracy or completeness, any error in or omission from it or for any use made of it. Users of this data sheet should check for themselves the Information and the suitability of the products for their purpose and not make any assumptions based on information included or omitted. Liability for loss or damage resulting from any reliance on the Information or use of it (including liability resulting from negligence or where the Group was aware of the possibility of such loss or damage arising) is excluded. This will not operate to limit or restrict the Group's liability for death or personal injury resulting from its negligence. Multicomp is the registered trademark of the Group. © Premier Farnell plc 2012.

www.element14.com
 www.farnell.com
 www.newark.com

