



## ADZ (DZ) Series

### Latching AC-Cutoff Power Relay

#### High-Capacity AC-Cutoff Relay with a Short Circuit Switching Capacity of 3000A!

Panasonic, a worldwide leader in Relay Products, is pleased to introduce the **ADZ (DZ) Series Latching Power Relays**. Designed for the smart meter market, charging stations and other industrial applications, the **ADZ Series** is a high-capacity AC cut-off relay that can switch up to 3000A (short circuit), meeting IEC62055-31 UC3 standards. The **ADZ Series** is available in a horizontal and vertical configuration, and has a low profile to facilitate space saving designs. Featuring a low operating power and twin-contact design, The **ADZ Series** provides lower contact resistance, a broader operating temperature range (-40 to 85°C), and improved reliability/contact life.

#### Features

- IEC62055-31 UCE Compliant (Short Circuit Current 3000 A)
- Twin Contact Design
- High-Capacity AC Switching (120A 250VAC Resistive)
- Small-Size with Low Operating Power
- RoHS / REACH Compliant

#### Benefits

- Approved Under International Standards for Smart Metering
- Lower Contact Resistance and Low Temperature Rise
- Improved Reliability, Contact Life, and Temperature Range
- Space-Saving and Energy-Saving

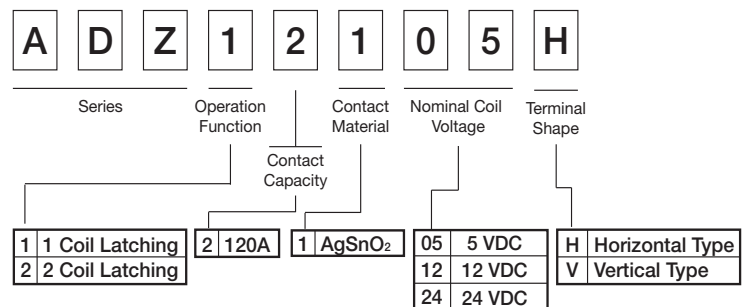
#### Industries

- Alternative Energy
- Industrial

#### Applications

- Smart Meters
- Charging Stations
- Industrial Machinery

#### Part Number Information



#### Additional Information

For detailed specification information on the **ADZ Series**, visit our website at:

[us.panasonic.com/industrial/electronic-components/relays/power-relays.aspx](http://us.panasonic.com/industrial/electronic-components/relays/power-relays.aspx)