

Instructions



RM3100 Rackmount Kit

071-1758-01

www.tektronix.com



071175801

Copyright © Tektronix. All rights reserved. Licensed software products are owned by Tektronix or its subsidiaries or suppliers, and are protected by national copyright laws and international treaty provisions.

Tektronix products are covered by U.S. and foreign patents, issued and pending. Information in this publication supercedes that in all previously published material. Specifications and price change privileges reserved.

TEKTRONIX and TEK are registered trademarks of Tektronix, Inc.

WARRANTY 15

Tektronix warrants that the product will be free from defects in materials and workmanship for a period of one (1) year from the date of original purchase from an authorized Tektronix distributor. If the product proves defective during this warranty period, Tektronix, at its option, either will repair the defective product without charge for parts and labor, or will provide a replacement in exchange for the defective product. Batteries are excluded from this warranty. Parts, modules and replacement products used by Tektronix for warranty work may be new or reconditioned to like new performance. All replaced parts, modules and products become the property of Tektronix.

In order to obtain service under this warranty, Customer must notify Tektronix of the defect before the expiration of the warranty period and make suitable arrangements for the performance of service. Customer shall be responsible for packaging and shipping the defective product to the service center designated by Tektronix, shipping charges prepaid, and with a copy of customer proof of purchase. Tektronix shall pay for the return of the product to Customer if the shipment is to a location within the country in which the Tektronix service center is located. Customer shall be responsible for paying all shipping charges, duties, taxes, and any other charges for products returned to any other locations.

This warranty shall not apply to any defect, failure or damage caused by improper use or improper or inadequate maintenance and care. Tektronix shall not be obligated to furnish service under this warranty a) to repair damage resulting from attempts by personnel other than Tektronix representatives to install, repair or service the product; b) to repair damage resulting from improper use or connection to incompatible equipment; c) to repair any damage or malfunction caused by the use of non-Tektronix supplies; or d) to service a product that has been modified or integrated with other products when the effect of such modification or integration increases the time or difficulty of servicing the product.

THIS WARRANTY IS GIVEN BY TEKTRONIX WITH RESPECT TO THE PRODUCT IN LIEU OF ANY OTHER WARRANTIES, EXPRESS OR IMPLIED. TEKTRONIX AND ITS VENDORS DISCLAIM ANY IMPLIED WARRANTIES OF MERCHANTABILITY OR FITNESS FOR A PARTICULAR PURPOSE. TEKTRONIX' RESPONSIBILITY TO REPAIR OR REPLACE DEFECTIVE PRODUCTS IS THE SOLE AND EXCLUSIVE REMEDY PROVIDED TO THE CUSTOMER FOR BREACH OF THIS WARRANTY. TEKTRONIX AND ITS VENDORS WILL NOT BE LIABLE FOR ANY INDIRECT, SPECIAL, INCIDENTAL, OR CONSEQUENTIAL DAMAGES IRRESPECTIVE OF WHETHER TEKTRONIX OR THE VENDOR HAS ADVANCE NOTICE OF THE POSSIBILITY OF SUCH DAMAGES.

Contacting Tektronix

Tektronix, Inc.
14200 SW Karl Braun Drive or P.O. Box 500
Beaverton, OR 97077 USA

For product information, sales, service, and technical support:

- In North America, call 1-800-833-9200
- Worldwide, visit www.tektronix.com to find contacts in your area.

RM3100 Rackmount Kit

Kit Description

The RM3100 is designed for use with the AFG3000 Series Arbitrary/Function Generators.



WARNING. *These instructions are for qualified personnel only. To avoid personal injury, do not assemble or install this kit unless you are qualified to do so. Before proceeding, remove all cables from the instrument, including the power cable.*

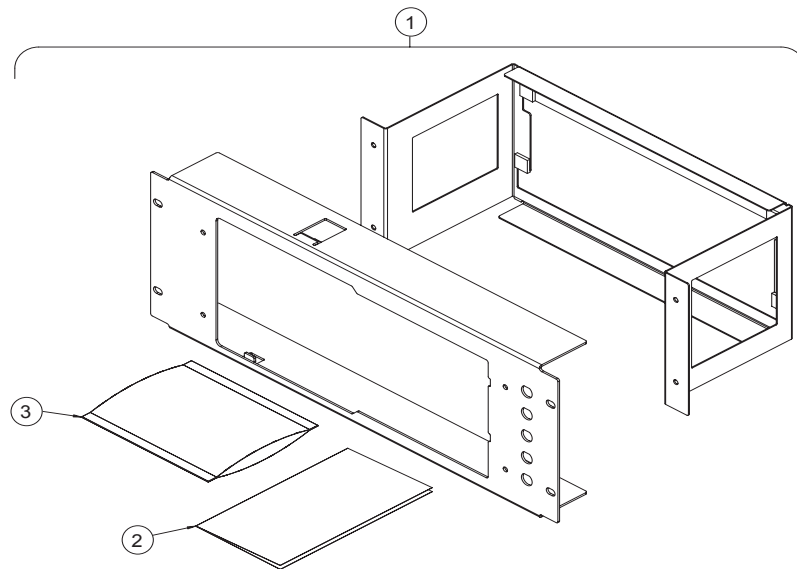


Figure 1: RM3100 Rackmount Kit

Unpack Unpack the RM3100 Rackmount Kit and check that you received all items listed in Table 1.

Table 1: RM3100 kit parts

| Figure # | Part number | Quantity | Description |
|------------------|--------------------------|----------|--|
| 1-1 | RM3100 | 1 ea | RM3100 rackmount kit, includes a front and back panel set, Instructions, bag of screws and handles |
| 1-2 | 071-1758-xx | 1 ea | RM3100 Rackmount Kit – Instructions |
| 1-3 | 016-1964-xx ¹ | — | Standard mounting hardware in plastic bag, consisting of the following: |
| 2-1 | Not saleable | 2 ea | Carrying handles |
| 2-2 | Not saleable | 4 ea | (For handles) Screws 8-32 x 1/2 pan head phil |
| 2-3 | Not saleable | 4 ea | (For handles) #8 split lock washers |
| 2-4 ² | Not saleable | 5 ea | Caps |
| 3-1 ¹ | Not saleable | 4 ea | Screws M 5 x 16 oval head phil |
| | | 4 ea | Screws M 6 x 16 oval head phil |
| | | 4 ea | Screws 10-32 x 3/4 oval head poz |
| | | 4 ea | Screws 12-24 x 3/4 oval head poz |
| 3-2 ¹ | Not saleable | 4 ea | M5 flat washers |
| | | 4 ea | M6 flat washers |
| | | 4 ea | #10 finish washers |
| | | 4 ea | 0.203 ID x 0.625 OD flat washers |
| Not shown | Not saleable | 6 ea | Nuts 8-32 x 11/32 hex w/ext tooth lock washers ³ |

1. Use the appropriate screws and washers for your size rack (there will be extra hardware).
2. Use these caps when the D-shape holes are plugged.
3. Use these nuts and washers when the carrying handles are not attached.

Assembly Instructions Assembly instructions are shown in Figure 2 and Figure 3.

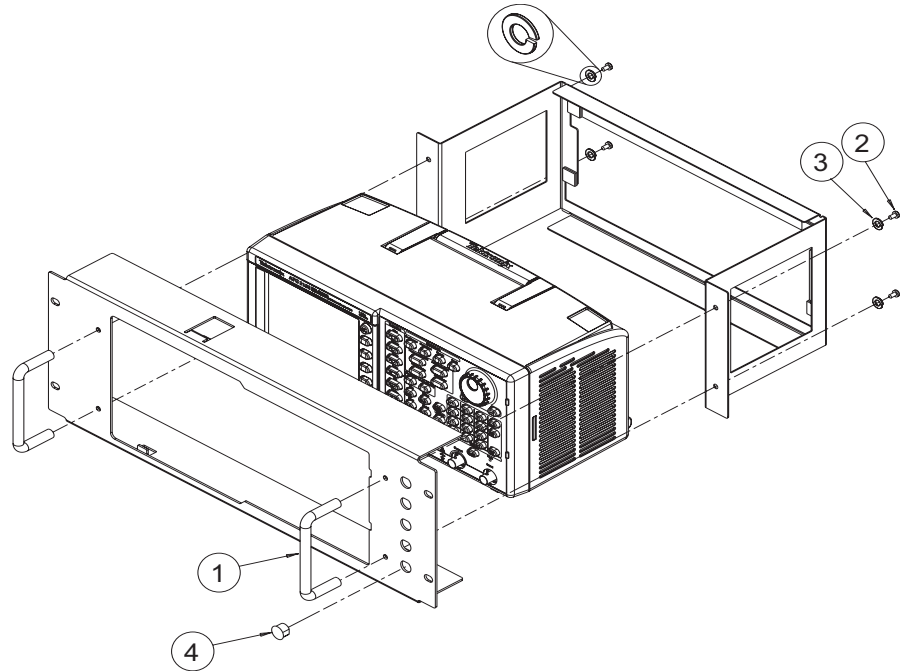


Figure 2: RM3100 Rackmount kit assembly – step 1

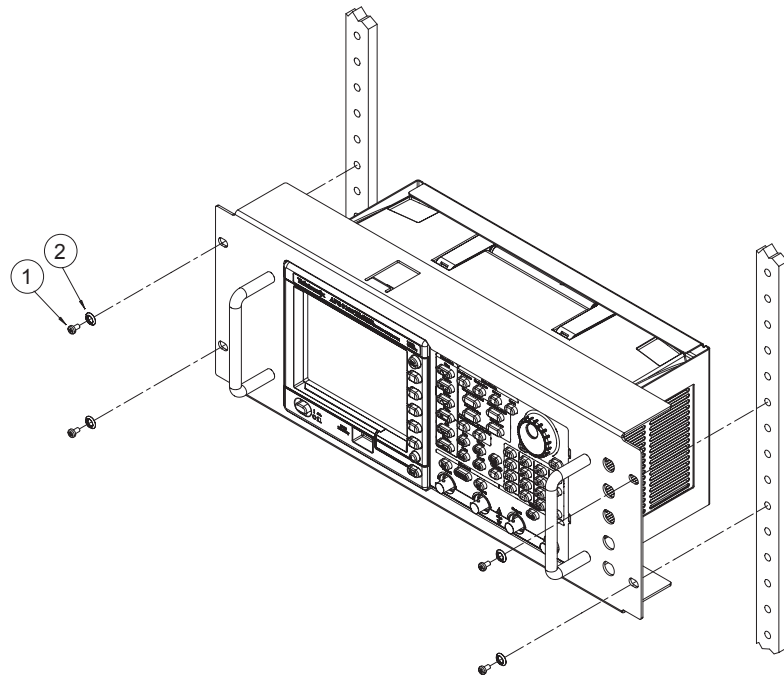
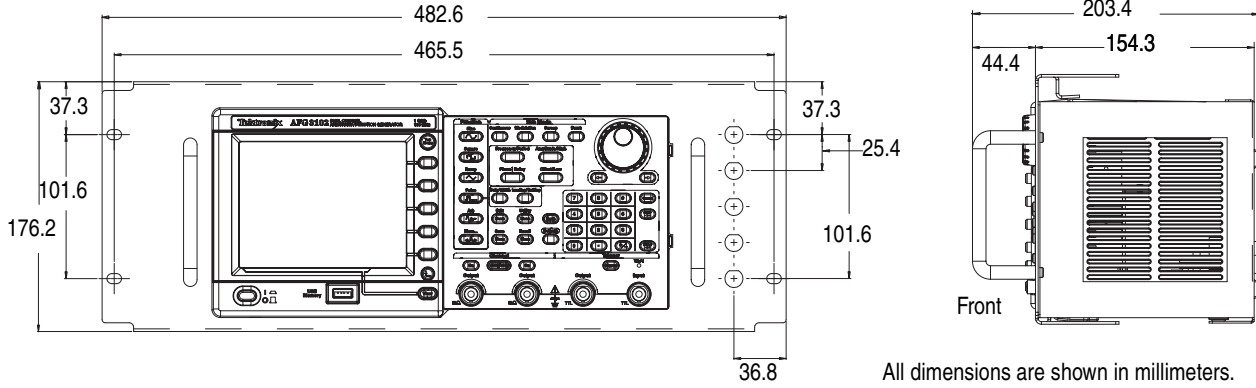


Figure 3: RM3100 Rackmount kit assembly – step 2

Dimensions



All dimensions are shown in millimeters.
RM3100 conforms to EIA-310-D specification.
Weight (without AFG3000 series): 2.1 kg

Figure 4: RM3100 Rackmount kit dimensions