



Description:

This compact stringpot provides the ultimate in ease-of-use and flexibility. This sensor fits in small spaces, doesn't need perfect alignment, mounts in just about any direction imaginable and has a unique circuit that lets the user choose 4-20mA or 0-10Vdc output on the fly. The SPD comes in 2 different stroke ranges up to 50 inches and is constructed with a rugged polycarbonate body sealed against IP67 (wet) environments for both indoor and outdoor applications. Every unit ships with a stainless steel mounting bracket that lets the user easily point the measuring cable in the direction needed. High value and economical price makes this sensor the perfect choice for the OEM and single-piece user alike. Customer specific designs available for the OEM, please contact factory for more information.

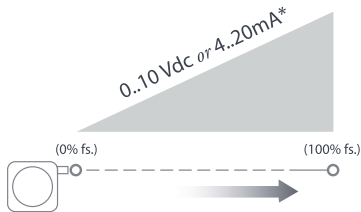
Specifications:

Full Stroke Range Options	: 0 to 4.75 Inches to 0 to 50 Inches
User Selectable Output Signal	: 4 to 20mA (2-wire) / 0 to 10V DC
Input Voltage, 4 to 20mA option	: 8 to 40V DC
Input Voltage, 0 to 10V DC option	: 12 to 32V DC
Repeatability	: .05%FS.
Resolution	: Essentially Infinite
Measuring Cable	: .019-inch dia. nylon-coated stainless steel
Maximum Acceleration	: 13g
Measuring Cable Tension	: 7oz. (1,9 N) \pm 30%
Sensor	: Plastic-hybrid precision potentiometer
Electrical Connection	: M12 connector (mating plug included)
Enclosure	: Glass-filled polycarbonate
Environmental	: IP 67
Operating Temperature	: -40°F to 160°F (-40°C to 70°C)
Weight (includes sensor, bracket and connector)	: 0.4 lbs (0.19kg)

Ordering Information:

Part Number	Full Stroke Range	accuracy (% of f.s.)	Cycle Life
SPD-25-3	25 Inches (635 mm)	0.25%	500K cycles
SPD-50-3	50 Inches (1270 mm)	0.25%	250K cycles

Output Signal:

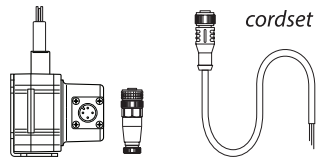


Signal Endpoint Tolerances

Output Signal*	0% fs.	100% fs.
4 to 20mA	4 – 4.25mA	19.2 – 20mA
0 to 10V DC	0 – 0.2V DC	9.5 – 10V DC

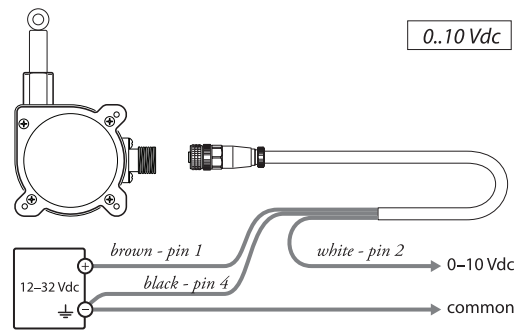
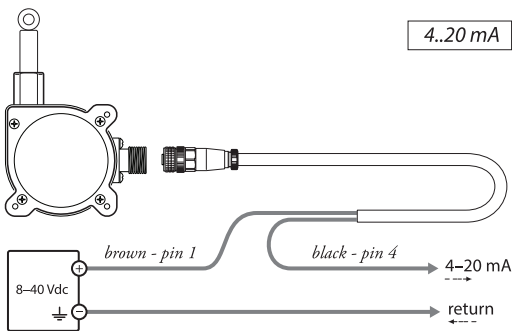
*Note: signal endpoints are set at the time of manufacture and cannot be adjusted

Electrical Connection:

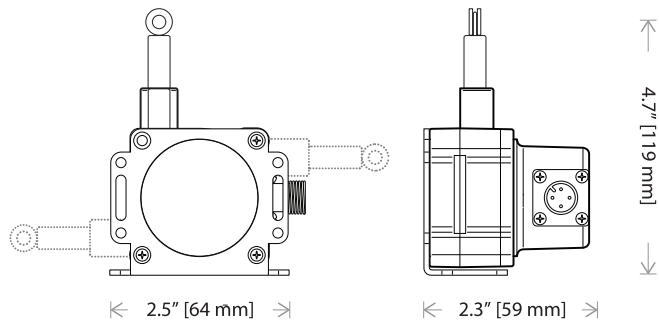


Output Signals

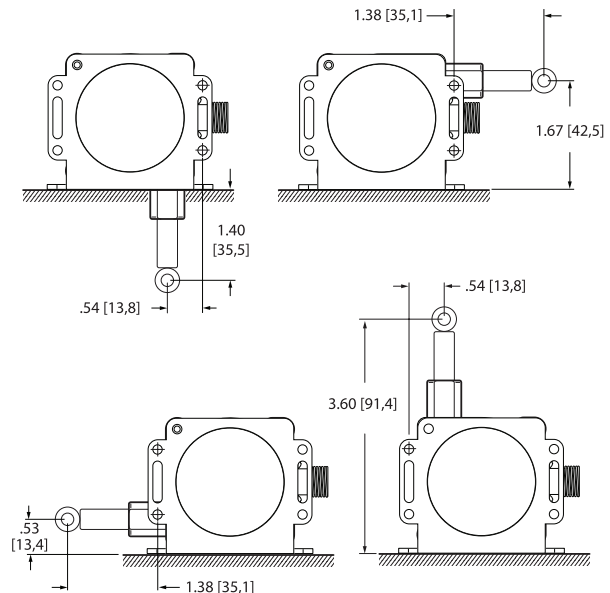
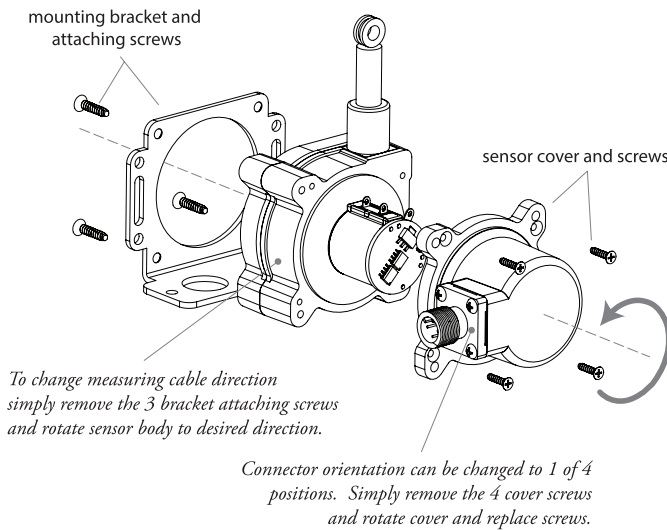
0 to 10V DC	4 to 20mA	Pin	Pin - Colour Code
12 to 32V DC	8 to 40V DC	1	1 - Brown
0 to 10V DC	n/c	2	2 - White
n/c	n/c	3	3 - Blue
Common	4 to 20mA	4	4 - Black



Dimensions:

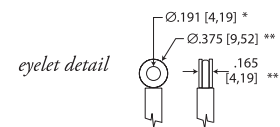
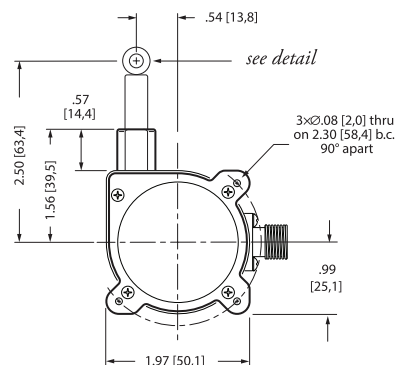
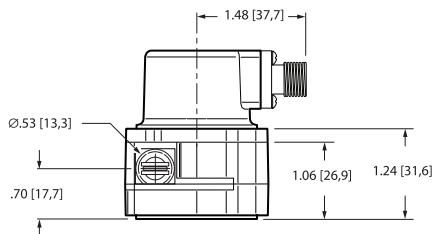


Mounting Options:

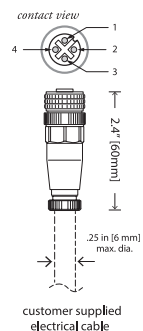
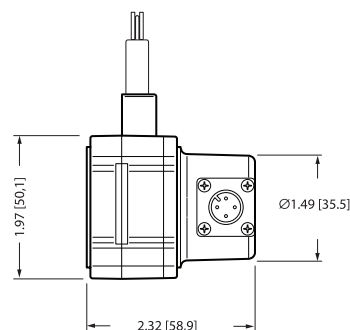


Dimensions : Inches (Millimetres)

SPD-xx-3 w/o Mounting Bracket:



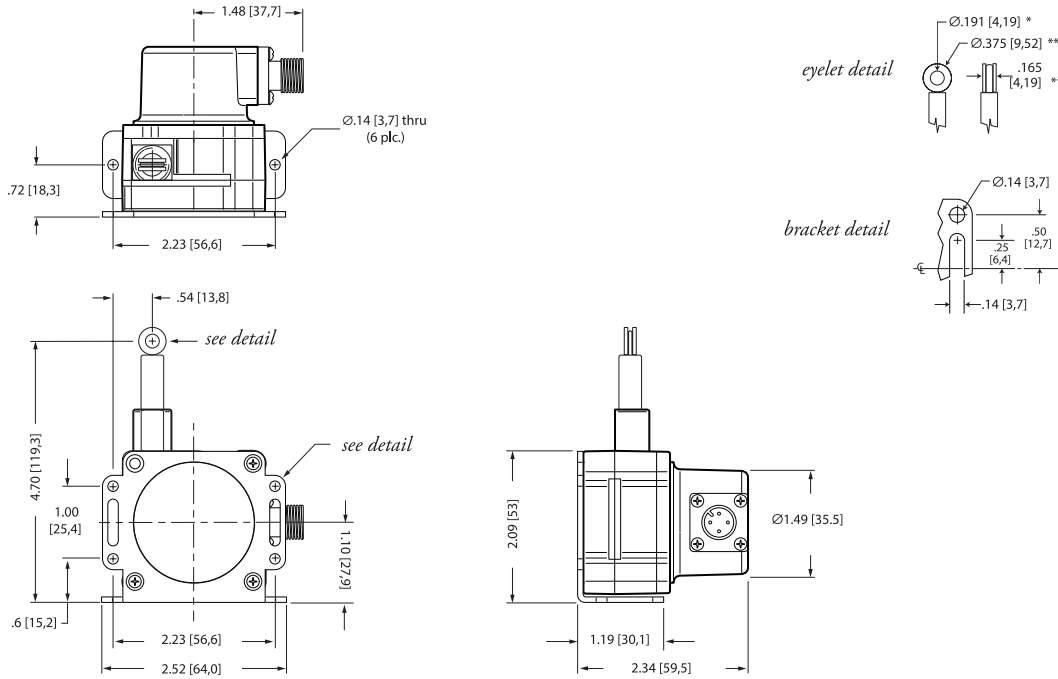
mating plug (included)



Dimensions : Inches (Millimetres)
Tolerances are 0.04Inches [1mm] unless otherwise noted.

* tolerance = +.005 –.001 [+0,1 –0,0]
** tolerance = +.005 –.005 [+0,1 –0,1]

SPD-xx-3 w/ Mounting Bracket:



Dimensions : Inches (Millimetres)
Tolerances are 0.04Inches [1mm] unless otherwise noted.

* tolerance = +.005 –.001 [+0,1 –0,0]
** tolerance = +.005 –.005 [+0,1 –0,1]

Part Number Table

Description	Part Number
Cable Extension Transducer, 25"	SPD-25-3
Cable Extension Transducer, 50"	SPD-50-3

Important Notice : This data sheet and its contents (the "Information") belong to the members of the Premier Farnell group of companies (the "Group") or are licensed to it. No licence is granted for the use of it other than for information purposes in connection with the products to which it relates. No licence of any intellectual property rights is granted. The Information is subject to change without notice and replaces all data sheets previously supplied. The Information supplied is believed to be accurate but the Group assumes no responsibility for its accuracy or completeness, any error in or omission from it or for any use made of it. Users of this data sheet should check for themselves the Information and the suitability of the products for their purpose and not make any assumptions based on information included or omitted. Liability for loss or damage resulting from any reliance on the Information or use of it (including liability resulting from negligence or where the Group was aware of the possibility of such loss or damage arising) is excluded. This will not operate to limit or restrict the Group's liability for death or personal injury resulting from its negligence. Multicomp is the registered trademark of the Group. © Premier Farnell plc 2012.