

Overview 0

Cabinets 1

Climate Control 2

Cases 3

Subracks/
19" chassis 4

Modules 5

Systems 6

Power supply
units 7

Backplanes 8

Accessories 9

Appendix 10

Cases

ratiopac PRO

Case with 19" compatible dimensions
For VME, CPCI and other applications



compac

Desk-top or portable case
Design alternative for propac

propac

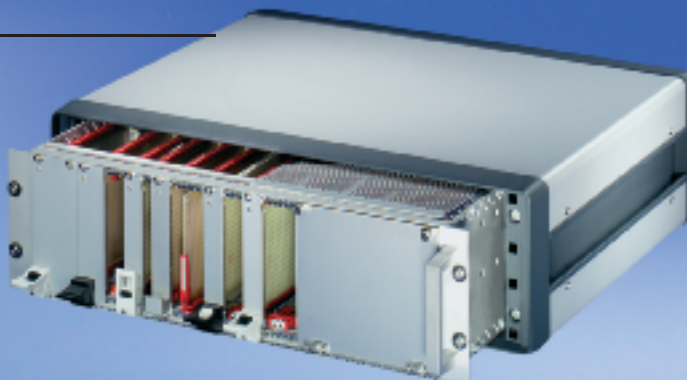
Universal desk-top case
Variable design



Cases

comptec

Can support 19" subracks
Removable covers



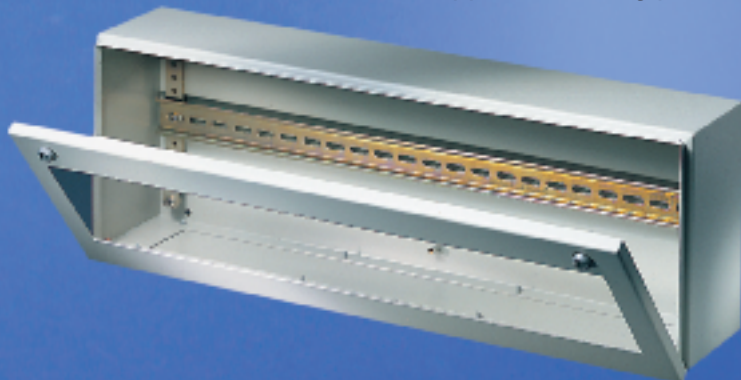
CONCEPTLINE

High-stability wall-mounted enclosure,
degree of protection IP65
Depth-adjustable 19" plane
or mounting plate



INLINE

High-stability small enclosure,
degree of protection IP66
To support mounting plate and support rail



Overview 3.110

Cases overview 3.0

ratiopacPRO 3.2

propac 3.28

compac 3.62

comptec 3.76

CONCEPTLINE 3.84

INLINE 3.92

Accessories 3.102

Front handles 3.100

Strap handles 3.103

Tip-up carrying

handles 3.104

Folding handles . . 3.105

Tray handles 3.106

Feets 3.107

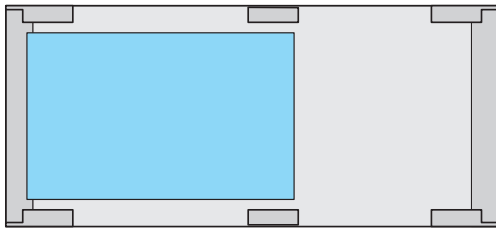


- Overview 0
- Cabinets 1
- Climate Control 2
- Cases 3
- Subracks/
19" chassis 4
- Modules 5
- Systems 6
- Power supply
units 7
- Backplanes 8
- Accessories 9
- Appendix 10

Cases - *ratiopac PRO*

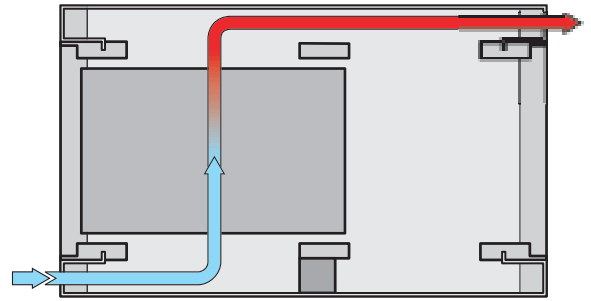


0680002



RPPR6641

ratiopac PRO, suitable for compact PCI and VME 64x applications according to IEEE 1101.10/11



06801005

ratiopac PRO-air, with integrated ventilation

Standards

- Inside and outside dimensions according to IEC 60297-3-101 / IEEE 1101.1, IEC 60297-3-102 / IEEE 1101.10/11
- Protection to IP 20 according to IEC 60529
- GND / earthing to EN 50178, EN 60950, EN 61010-1, EN 61010-1A2
- EMC tests in accordance with VG 95373 part 15

Modifications

- Easy conversion from desktop case to 19" chassis
- Special finishing
- Customized Cutouts in front panel, rear panel, top and bottom cover
- Customized assembly service
- Vented rear panels
- Special depths and widths



Further important information can be found on the Internet under www.schroff.biz



Cases - *ratiopac*PRO

Overview 3.2

Case with 19"-compatible dimensions

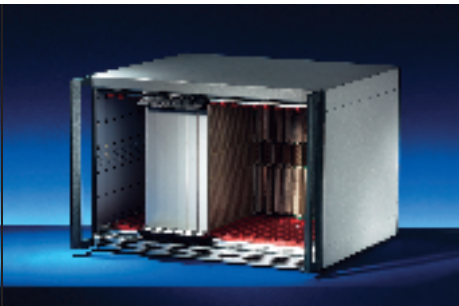
- Identical front and rear structure (symmetrical)
- Identical space for boards in all versions
- Optional EMC shielding via gaskets
- Suitable for compact PCI and VME 64x application according to IEEE 1101.10/11
- No visible screws. Trims removable without tools



06800005

*ratiopac*PRO

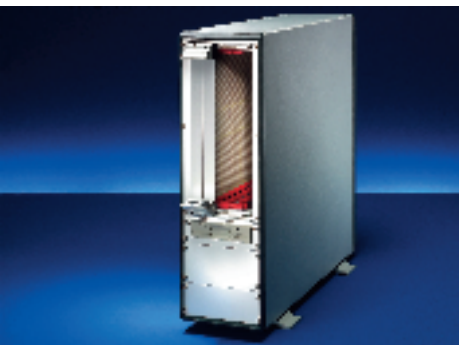
- Clad subrack
- Internal configuration identical to europacPRO subracks



06800006

*ratiopac*PRO - air

- Case with integrated ventilation (2 x 1/2 U)



06802001

*ratiopac*PRO - Tower

- Based on ratiopacPRO, 90° turned

*ratiopac*PRO accessories

- All europacPRO subrack parts are compatible with ratiopacPRO

Complete case

ratiopacPRO 3.4
ratiopacPRO air 3.5

Cases

ratiopacPRO 3.6
ratiopacPRO air 3.8
Dimensions
ratiopacPRO /
ratiopacPRO air 3.10
Tower 3.11

ratiopacPRO accessories

General accessories 3.12
Front panel 3.13
Rear panel 3.14
EMC gasketing 3.15
Module/central rails 3.17
Tip-up foot 3.18
Stacking aid case 3.18
Air filter for 3.19
Earthing kit 3.19
Front handle 3.20
19" mounting
bracket 3.20
Cable holder 3.21
Air baffle 3.21
Coloured films 3.22
Tip-up carrying
handle 3.23
Strap handle 3.24

Assembly parts

Quick-release
fastener 3.25
Sleeve 3.25
Torx pan head screw 3.25
Collar screw 3.26
Countersunk head
screw 3.26
Grub screw 3.26
Nuts 3.26
Slide nuts 3.27
Tools 3.27



Case - *ratiopac*PRO / -air

ratiopacPRO complete case

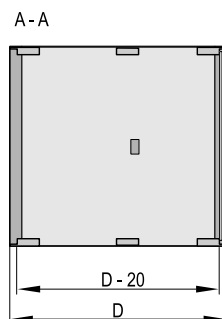
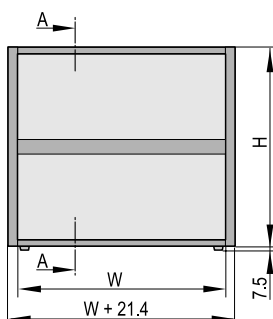
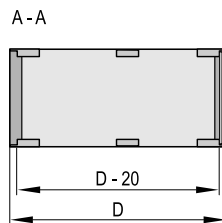
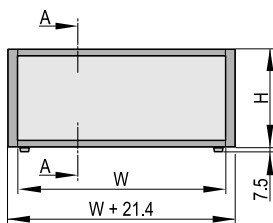
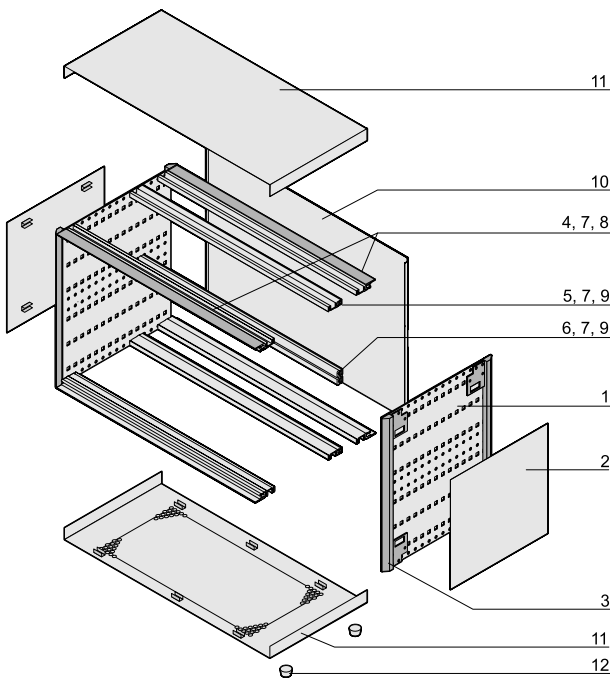


06903001

- Desktop case with easy to remove covers
- Unshielded or shielded
- Threaded inserts, perforated strips and shielding components pre-mounted, for backplane assembly
- Identical front and rear symmetrical design

Delivery comprises (kit)

Item	Qty without EMC	Qty with EMC	Description
1	2	2	Side panel, aluminium, clear chromated
2	2	2	Side plate, aluminium chromated, visible surface RAL 9006
3	4	4	Trim, diecast zinc, RAL 7016, pre-mounted
4	4	4	Horizontal rail, aluminium, visible surfaces RAL 7016
5	2	2	Rear horizontal rail, aluminium
6	2	2	Centre horizontal rail (only with 6 U), aluminium, visible surfaces RAL 7016
7	6	6	Threaded inserts, steel, pre-mounted, for backplane assembly with insulation strips
8	-	4	Perforated strips, 1 mm aluminium, pre-mounted
9	2	2	Insulation strips, PBT UL-94 V-0
10	1	1	Rear panel with perforation, 2.5 mm aluminium
11	2	2	Top and base, aluminium, internal surface conductive, visible surfaces RAL 9006, with GND/earthing connection, base with ventilation holes
12	4	4	Case foot, PC black, anti-slip protection
-	1	1	Earthing kit
-	-	1	Contact strip for side panel, pre-mounted (set)
-	-	1	Contact strips for cover pre-mounted (set)
-	-	4	Contact strips for front panel - horizontal rails
-	1	1	Other assembly parts (set)



01802050

Order Information

Height	Width W	Depth D	unshielded	EMC shielded
U	HP	mm	Order no.	Order no.
3	28	255	24572-001	24572-050
3	42	255	24572-002	24572-051
3	42	315	24572-003	24572-052
3	63	315	24572-004	24572-053
3	84	315	24572-005	24572-054
3	84	375	24572-006	24572-055
3	84	435	24572-007	24572-056
6	42	315	24572-015	24572-064
6	63	315	24572-016	24572-065
6	84	315	24572-017	24572-066
6	84	375	24572-018	24572-067
6	84	435	24572-019	24572-068

- Dimensions see page 3.10
- Accessories, see page 3.12



For further information www.schroff.biz/oneClick
oneClick code = Order no.

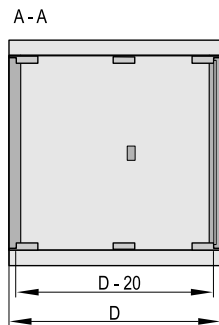
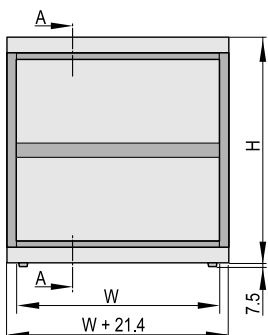
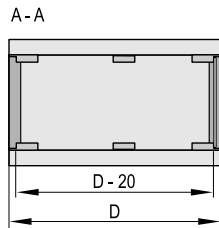
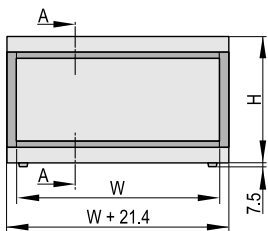
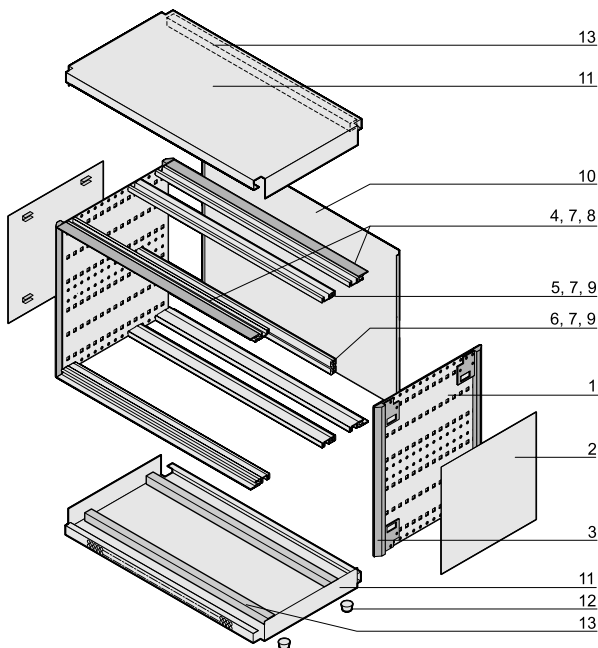


Case - ratiopacPRO / -air

ratiopacPRO air complete case



06903002



01802052

- The case has 2 x 1/2 U free space for ventilation. The exterior, it is 1 U higher than ratiopacPRO. Inside, the same installation conditions apply
- Desktop case with easy to remove covers
- Unshielded or shielded
- Threaded inserts, perforated strips and shielding components pre-mounted, for backplane assembly

Delivery comprises (kit)

Item	Qty		Description
	without EMC	with EMC	
1	2	2	Side panel, aluminium, clear chromated
2	2	2	Side plate, aluminium, chromated, visible surfaces RAL 9006
3	4	4	Trim, diecast zinc, RAL 7016, pre-mounted
4	4	4	Horizontal rail, aluminium, visible surfaces RAL 7016
5	2	2	Rear horizontal rail, aluminium
6	2	2	Centre horizontal rail (only with 6 U), aluminium, visible surfaces RAL 7016
7	6	6	Threaded inserts, steel, pre-mounted, for backplane assembly with insulation strips
8	-	4	Perforated strips, pre-mounted
9	2	2	Insulation strips, PBT UL 94 V-0
10	1	1	Rear panel, 2.5 mm aluminium
11	2	2	Top and base aluminium, internal surface conductive, visible surfaces RAL 9006, with GND/earthing connection, top and base with ventilation holes
12	4	4	Case foot, PC black, anti-slip protection
13	2	2	Filter mat
-	1	1	Earthing kit
-	-	1	Contact strip for side panel, pre-mounted (set)
-	-	1	Contact strips for cover pre-mounted (set)
-	-	4	Contact strips for front panel - horizontal rails
-	1	1	Assembly parts (set)
-	1	1	Air baffle

Order Information

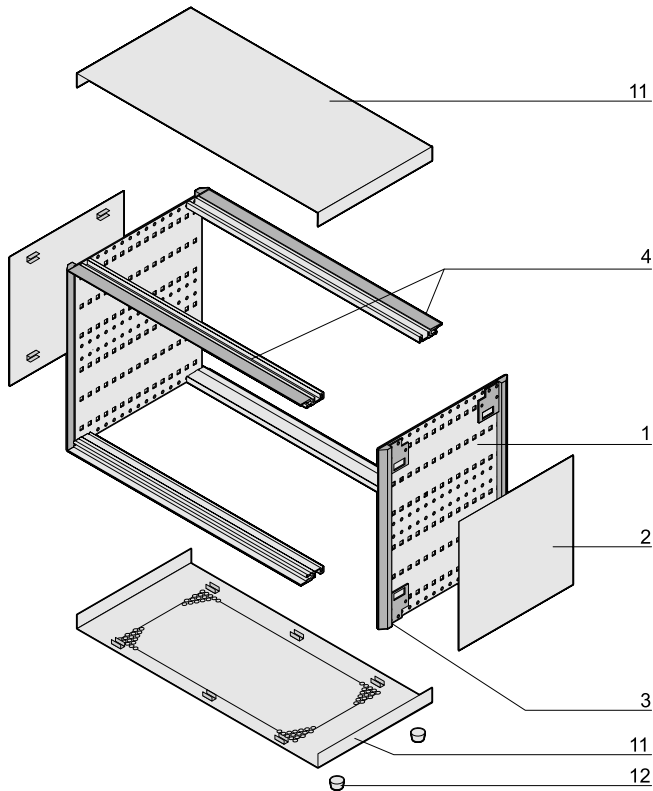
Board/ case height	Height U	Width W HP	Depth D mm	unshielded	EMC shielded
				Order no.	Order no.
3/4	4	28	255	24572-025	24572-074
3/4	4	42	255	24572-026	24572-075
3/4	4	42	315	24572-027	24572-076
3/4	4	63	315	24572-028	24572-077
3/4	4	84	315	24572-029	24572-078
3/4	4	84	375	24572-030	24572-079
3/4	4	84	435	24572-031	24572-080
6/7	7	42	315	24572-040	24572-088
6/7	7	63	315	24572-041	24572-089
6/7	7	84	315	24572-042	24572-090
6/7	7	84	375	24572-043	24572-091
6/7	7	84	435	24572-044	24572-092

- Dimensions see page 3.10
- Accessories, see page 3.12



Case - ratiopacPRO / -air

ratiopacPRO case



■ The space-optimised version, interior and exterior dimensions correspond to a 19" subrack

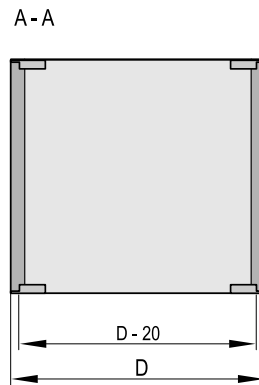
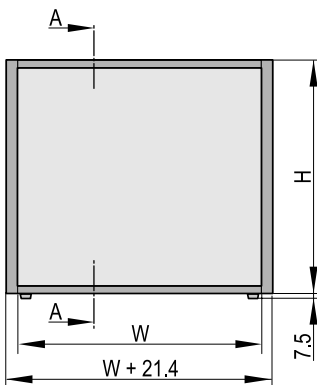
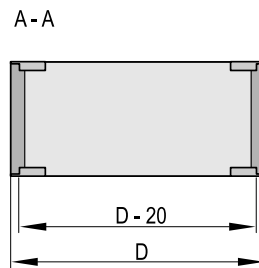
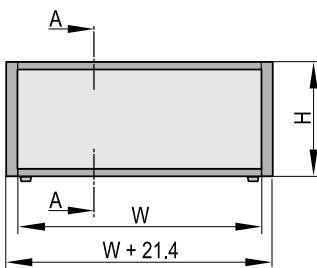
■ Available in three versions:

- with front trims
- With front handles
- with 19" brackets

Delivery comprises (kit)

Item	Qty	Description
1	2	Side panel, aluminium, clear chromated
2	2	Side plate, aluminium, chromated, visible surfaces powder-coated, RAL 9006
3	2	Rear trim, diecast zinc, powder-coated, RAL 7016
3a	2	Front trim, diecast zinc, powder-coated, RAL 7016
3b	2	Front handle, diecast aluminium, powder-coated, RAL 7016
3c	2	19" assembly bracket, diecast aluminium, powder-coated, RAL 7016
4	4	Horizontal rail, aluminium, visible surfaces powder-coated, RAL 7016
11	2	Top and base, aluminium, internal surface conductive, visible surfaces powder-coated, RAL 9006, with GND/earthing connections, base with ventilation holes
12	4	Case foot, PC, black, with anti-slip protection
13	1	Assembly kit

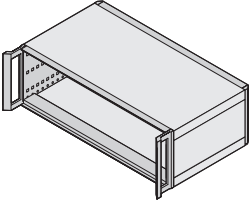
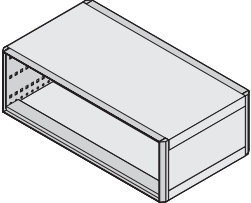
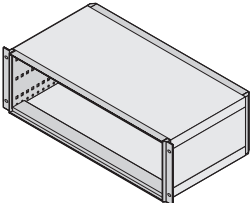
3a, 3b or 3c depending on selection



01802051

Case - *ratiopac*PRO / -air

Order Information

	Width W HP	Width W mm	Depth D mm	3 U Order no.	4 U Order no.	6 U Order no.
ratiopacPRO case with front handle  <small>RPPR6630</small>	28	164.3	255	24571-702	-	-
	28	164.3	315	24571-705	-	-
	42	235.4	255	24571-714	24571-762	-
	42	235.4	315	24571-717	24571-765	24571-813
	42	235.4	375	-	24571-766	24571-814
	63	342.1	255	24571-726	-	-
	63	342.1	315	24571-729	24571-777	24571-825
	63	342.1	375	24571-730	24571-778	24571-826
	84	448.8	255	24571-738	-	-
	84	448.8	315	24571-741	24571-789	24571-837
	84	448.8	375	24571-742	24571-790	24571-838
	84	448.8	435	24571-743	24571-791	24571-839
	84	448.8	495	24571-744	-	24571-840
ratiopacPRO case with front trim  <small>RPPR6629</small>	28	164.3	255	24571-002	-	-
	28	164.3	315	24571-005	-	-
	42	235.4	255	24571-014	24571-062	-
	42	235.4	315	24571-017	24571-065	24571-113
	42	235.4	375	-	24571-066	24571-114
	63	342.1	255	24571-026	-	-
	63	342.1	315	24571-029	24571-077	24571-125
	63	342.1	375	24571-030	24571-078	24571-126
	84	448.8	255	24571-038	-	-
	84	448.8	315	24571-041	24571-089	24571-137
	84	448.8	375	24571-042	24571-090	24571-138
	84	448.8	435	24571-043	24571-091	24571-139
	84	448.8	495	24571-044	-	24571-140
ratiopacPRO case with 19"-brackets  <small>RPPR6631</small>	84	448.8	255	24571-438	24571-486	-
	84	448.8	315	24571-441	24571-489	24571-537
	84	448.8	375	24571-442	24571-490	24571-538
	84	448.8	435	24571-443	24571-491	24571-539
	84	448.8	495	-	-	24571-540

Note

- Front prepared for installation of IEEE handles

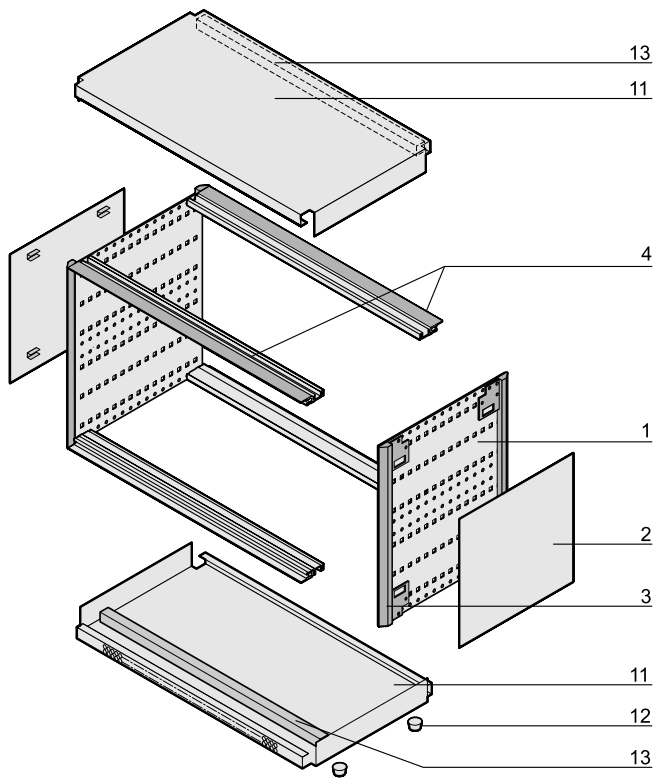


For further information www.schroff.biz/oneClick
oneClick code = Order no.



Case - *ratiopac*PRO / -air

ratiopacPRO air case



■ With integrated ventilation. The case has 2 x 1/2 U free space for ventilation. The exterior, it is 1 U higher than ratiopacPRO. Inside, the same installation conditions apply.

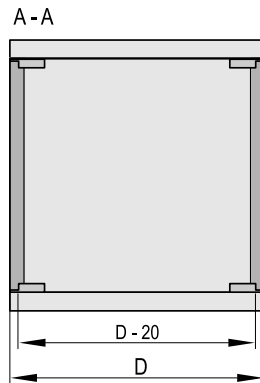
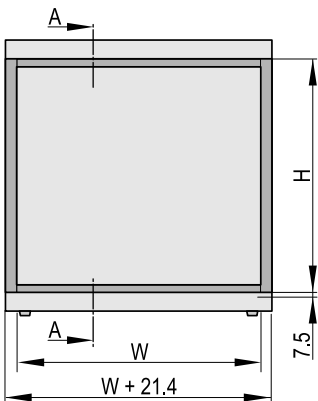
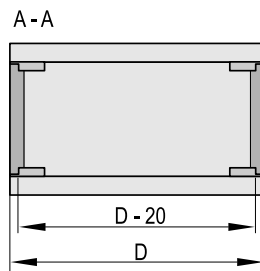
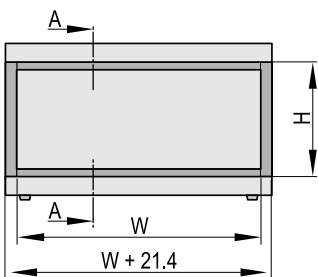
■ Available in three versions:

- with front trims
- With front handles
- with 19" bracket

Delivery comprises (kit)

Item	Qty	Description
1	2	Side panel, aluminium, clear chromated
2	2	Side plate, aluminium, chromated, visible surfaces powder-coated, RAL 9006
3	2	Rear trim, diecast zinc, powder-coated, RAL 7016
3a	2	Front trim, diecast zinc, powder-coated, RAL 7016
3b	2	Front handle, diecast aluminium, powder-coated, RAL 7016
3c	2	19" assembly bracket, diecast aluminium, powder-coated, RAL 7016
4	4	Horizontal rail, aluminium, visible surfaces powder-coated, RAL 7016
11	2	Top and base, aluminium, internal surface conductive, visible surfaces powder-coated, RAL 9006, with GND/earthing connections, top and base with ventilation holes
12	4	Case foot, PC, black, with anti-slip protection
13	2	Filter mat
14	1	Assembly kit

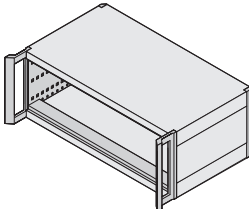
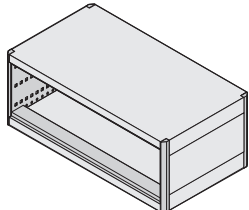
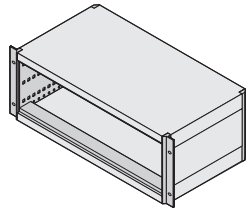
3a, 3b or 3c depending on selection



01902053

Case - *ratiopac*PRO / -air

Order Information

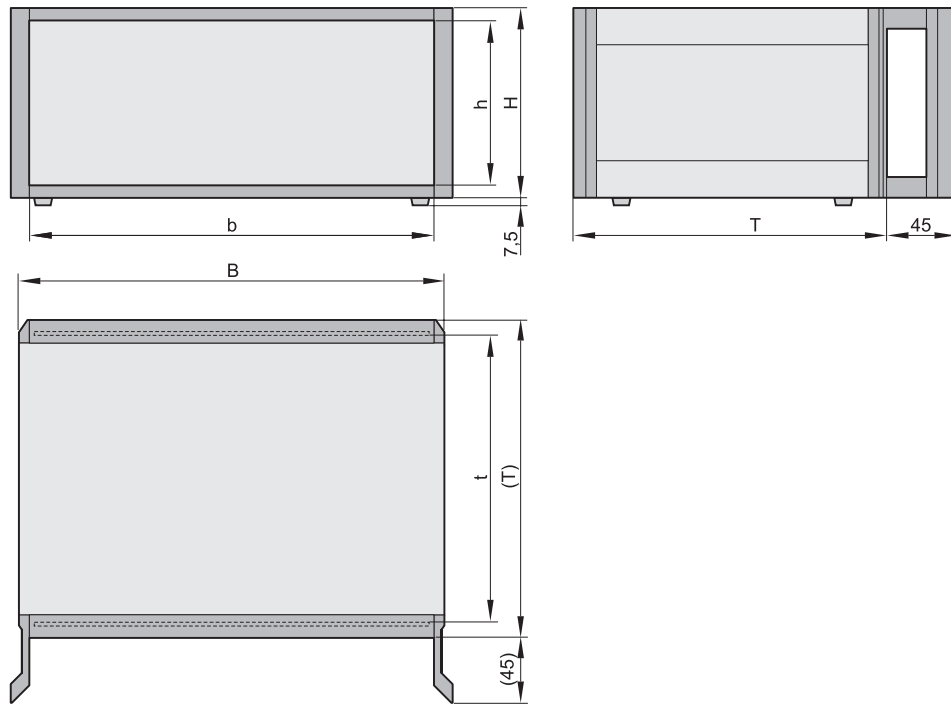
	Width W HP	Width W mm	Depth D mm	3/4 U Order no.	4/5 U Order no.	6/7 U Order no.
ratiopacPRO air with front handle  <small>RPPR6634</small>	28	164.3	255	24571-846	-	-
	28	164.3	315	24571-849	-	-
	42	235.4	255	24571-858	-	-
	42	235.4	315	24571-861	24571-909	24571-957
	42	235.4	375	24571-862	24571-910	24571-958
	63	342.1	255	24571-870	-	-
	63	342.1	315	24571-873	24571-921	24571-969
	63	342.1	375	24571-874	24571-922	24571-970
	63	342.1	435	-	24571-923	-
	84	448.8	255	24571-882	-	-
	84	448.8	315	24571-885	24571-933	24571-981
	84	448.8	375	24571-886	24571-934	24571-982
	84	448.8	435	24571-887	24571-935	24571-983
	84	448.8	495	24571-888	-	24571-984
ratiopacPRO air with front trim  <small>RPPR6633</small>	28	164.3	255	24571-146	-	-
	28	164.3	315	24571-149	-	-
	42	235.4	255	24571-158	-	-
	42	235.4	315	24571-161	24571-209	24571-257
	42	235.4	375	24571-162	24571-210	24571-258
	63	342.1	255	24571-170	-	-
	63	342.1	315	24571-173	24571-221	24571-269
	63	342.1	375	24571-174	24571-222	24571-270
	63	342.1	435	-	24571-223	-
	84	448.8	255	24571-182	-	-
	84	448.8	315	24571-185	24571-233	24571-281
	84	448.8	375	24571-186	24571-234	24571-282
	84	448.8	435	24571-187	24571-235	24571-283
	84	448.8	495	24571-188	-	24571-284
ratiopacPRO air with 19" assembly bracket  <small>RPPR6635</small>	84	448.8	255	24571-582	-	-
	84	448.8	315	24571-585	24571-633	24571-681
	84	448.8	375	24571-586	24571-634	24571-682
	84	448.8	435	24571-587	24571-635	24571-683
	84	448.8	495	24571-636	-	24571-684

Note

- Front prepared for installation of IEEE handles
- Dimensions see page 3.10

Case - *ratio*pacPRO / -air

Dimensions, *ratio*pacPRO / *ratio*pacPRO air



RPPR6637

Dimensions table *ratio*pacPRO

Height H		H	Width B		W	Usable depth t									
in U	in mm	in mm	in HP	in mm	in mm	235		295		355		415		475	
						T in mm	t in mm	T in mm	t in mm	T in mm	t in mm	T in mm	t in mm	T in mm	t in mm
3	132.55	112.35	28	164.22	142.82	255.5	235.5	315.5	295.5	375.5	355.5	435.5	415.5	495.5	475.5
3	132.55	112.35	42	235.54	213.94	255.5	235.5	315.5	295.5	375.5	355.5	435.5	415.5	495.5	475.5
3	132.55	112.35	63	342.02	320.62	255.5	235.5	315.5	295.5	375.5	355.5	435.5	415.5	495.5	475.5
3	132.55	112.35	84	448.70	427.30	255.5	235.5	315.5	295.5	375.5	355.5	435.5	415.5	495.5	475.5
4	177.00	156.80	42	235.54	213.94	255.5	235.5	315.5	295.5	375.5	355.5	435.5	415.5	495.5	475.5
4	177.00	156.80	63	342.02	320.62	255.5	235.5	315.5	295.5	375.5	355.5	435.5	415.5	495.5	475.5
4	177.00	156.80	84	448.70	427.30	255.5	235.5	315.5	295.5	375.5	355.5	435.5	415.5	495.5	475.5
6	265.90	245.70	42	235.54	213.94	255.5	235.5	315.5	295.5	375.5	355.5	435.5	415.5	495.5	475.5
6	265.90	245.70	63	342.02	320.62	255.5	235.5	315.5	295.5	375.5	355.5	435.5	415.5	495.5	475.5
6	265.90	245.70	84	448.70	427.30	255.5	235.5	315.5	295.5	375.5	355.5	435.5	415.5	495.5	475.5

Dimensions table *ratio*pacPRO air

Height H		H	Width B		b	Usable depth t									
in U	in mm	in mm	in HP	in mm	in mm	235		295		355		415		475	
						T in mm	t in mm	T in mm	t in mm	T in mm	t in mm	T in mm	t in mm	T in mm	t in mm
3/4	177.00	112.35	28	164.22	142.82	255.5	235.5	315.5	295.5	375.5	355.5	435.5	415.5	495.5	475.5
3/4	177.00	112.35	42	235.54	213.94	255.5	235.5	315.5	295.5	375.5	355.5	435.5	415.5	495.5	475.5
3/4	177.00	112.35	63	342.02	320.62	255.5	235.5	315.5	295.5	375.5	355.5	435.5	415.5	495.5	475.5
3/4	177.00	112.35	84	448.70	427.30	255.5	235.5	315.5	295.5	375.5	355.5	435.5	415.5	495.5	475.5
4/5	221.45	156.80	42	235.54	213.94	255.5	235.5	315.5	295.5	375.5	355.5	435.5	415.5	495.5	475.5
4/5	221.45	156.80	63	342.02	320.62	255.5	235.5	315.5	295.5	375.5	355.5	435.5	415.5	495.5	475.5
4/5	221.45	156.80	84	448.70	427.30	255.5	235.5	315.5	295.5	375.5	355.5	435.5	415.5	495.5	475.5
6/7	310.35	245.70	42	235.54	213.94	255.5	235.5	315.5	295.5	375.5	355.5	435.5	415.5	495.5	475.5
6/7	310.35	245.70	63	342.02	320.62	255.5	235.5	315.5	295.5	375.5	355.5	435.5	415.5	495.5	475.5
6/7	310.35	245.70	84	448.70	427.30	255.5	235.5	315.5	295.5	375.5	355.5	435.5	415.5	495.5	475.5

Case - *ratiopac*PRO / -air

ratiopacPRO Tower 3 and 4 U width

- Mounting space 3 or 4 U, 84 HP, depth 475 mm
- Case on the basis of ratiopacPRO

Delivery comprises (kit)

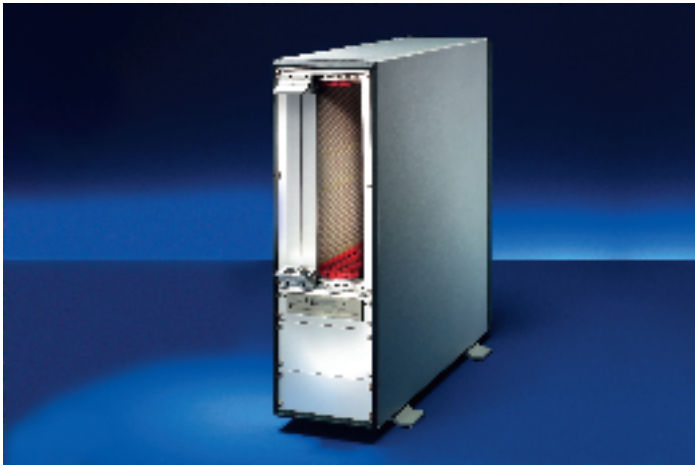
Item	Qty	Description
1	2	Side cover with GND/earthing connection, aluminium, chromated, visible surfaces powder-coated, RAL 9006
2	4	Horizontal rail, aluminium, visible surface powder-coated, RAL 7016, with EMC contact between cover plate and horizontal rail
3	2	Rear trim, diecast zinc, RAL 7016
4	2	Front trim, diecast zinc, RAL 7016
6	1	Top cover, aluminium, internal surface conductive, visible surfaces powder-coated, RAL 9006
7	2	Case foot, aluminium, powder-coated, RAL 7016, with anti-slip protection
8	1	Assembly kit

Order Information

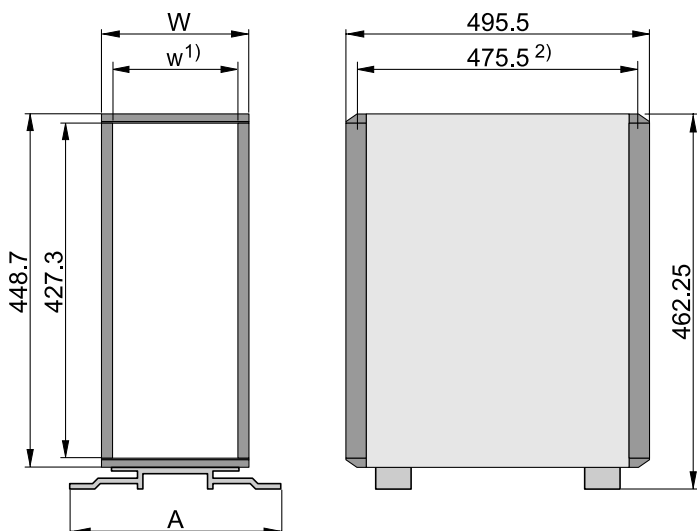
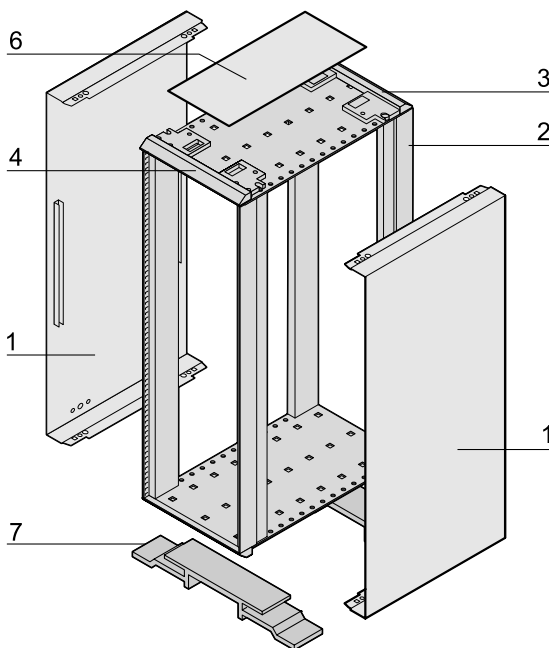
Width U	Width A mm	Width W mm	Width w mm	Order no.
3	177	132.6	112.4	24571-390
4	221	177	156.8	24571-395



For further information www.schroff.biz/oneClick
oneClick code = Order no.



06802001



01802054

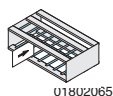
- 1) = open space between the horizontal rails
2) = max. mounting depth



Accessories

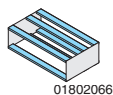
- Front panel, see page 3.13
- Rear panel, see page 3.14
- EMC gasketing, see page 3.14
- Tip-up feet, see page 3.18
- Stacking aid, see page 3.18
- Air filter for *ratiopac*PRO, see page 3.19
- GND/earthing kit, see page 3.19
- Front handle, see page 3.20
- 19" assembly bracket, see page 3.20
- Cable holder, see page 3.21
- Air baffle for *ratiopac*PRO, see page 3.21
- Coloured films, see page 3.22
- Tip-up carrying handle, see page 3.23
- Strap handle, see page 3.24
- Assembly parts, see page 3.25
- Mounting position, see page 3.15

General accessories



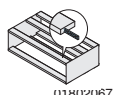
01802065

- **Guide rails**, see chapter on *europac*PRO - accessories, page 4.50



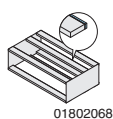
01802066

- **Horizontal rails**, see chapter on *europac*PRO - accessories, page 4.30



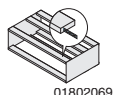
01802067

- **Threaded inserts**, see chapter on *europac*PRO - accessories, page 4.30



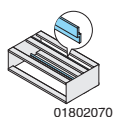
01802068

- **Insulation strips**, see chapter on *europac*PRO - accessories, page 4.41



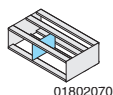
01802069

- **Perforated strip**, see chapter on *europac*PRO - accessories, page 4.40



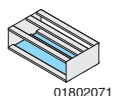
01802070

- **Z-rail**, see chapter on *europac*PRO - accessories, page 4.38



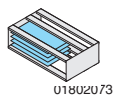
01802070

- **Divider plate**, see chapter on *europac*PRO - accessories, page 4.42



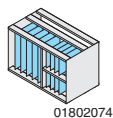
01802071

- **Chassis plate**, see chapter on *europac*PRO - accessories, page 4.43



01802073

- **Horizontal board expansion**, see chapter on *europac*PRO - accessories, page 4.45

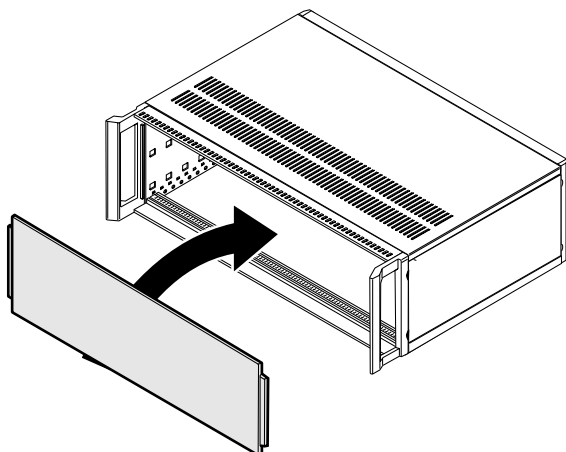


01802074

- **Combined mounting**, see chapter on *europac*PRO - accessories, page 4.45

Case - ratiopac PRO / -air

Front panel, self retained



- Front panels can also be used as rear panels
- Assembly without screws
- Unshielded
- Secured between side panel and 19" bracket or handle

Delivery comprises

Item	Qty	Description
1	1	Front panel, aluminium, 2.5 mm. Front: anodised Rear: yellow chromated Height = U × 44.45 - 4.95 Width = HP × 5.08 - 0.34

06801502

Order Information

Height U	Width HP	Order no.
3	28	34571-605
3	42	34571-606
3	63	34571-607
3	84	34571-608
4	28	34571-609
4	42	34571-610
4	63	34571-611
4	84	34571-612
6	28	34571-613
6	42	34571-614
6	63	34571-615
6	84	34571-616

- Front panels bolted on, see chapter Plug-in units, front panels



For further information www.schroff.biz/oneClick
oneClick code = Order no.

Case - ratiopac PRO / -air

Rear panel with perforation


- Versions: Shielded and unshielded
- For mounting on horizontal rails
- Shielded with EMC profile seal

Delivery comprises (kit)

Item	Qty	Description
1	1	Rear panel shielded with bracket for EMC profile seal, 2.5 mm aluminium. Front: anodised. Rear: yellow-chromated
1a	1	Rear panel unshielded, 2.5 mm aluminium. Front: anodised. Rear: yellow-chromated

Order Information

Height U	Height H	Width W	Width HP	Width W	B	h	Shielded	Unshielded
	mm	mm	mm	mm	mm	mm	Order no.	Order no.
3	128.4	28	141.9	-	122.4	122.4	20848-633	30849-008
3	128.4	42	213	101.6	122.4	122.4	20848-634	30849-021
3	128.4	63	319.7	157.5	122.4	122.4	20848-635	30849-022
3	128.4	84	426.4	208.3	122.4	122.4	20848-636	30849-023
4	173	28	141.9	-	166.9	166.9	20848-656	30849-009
4	173	42	213	101.6	166.9	166.9	20848-657	30849-028
4	173	63	319.7	157.5	166.9	166.9	20848-658	30849-029
4	173	84	426.4	208.3	166.9	166.9	20848-659	30849-030
6	261.8	28	141.9	-	255.8	255.8	20848-640	30849-010
6	261.8	42	213	101.6	255.8	255.8	20848-641	30849-035
6	261.8	63	319.7	157.5	255.8	255.8	20848-642	30849-036
6	261.8	84	426.4	208.3	255.8	255.8	20848-643	30849-037

 For further information www.schroff.biz/oneClick
oneClick code = Order no.


EMC profile seal

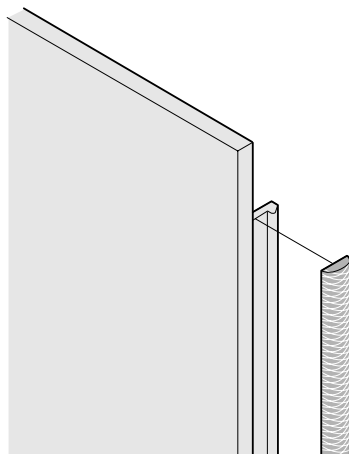
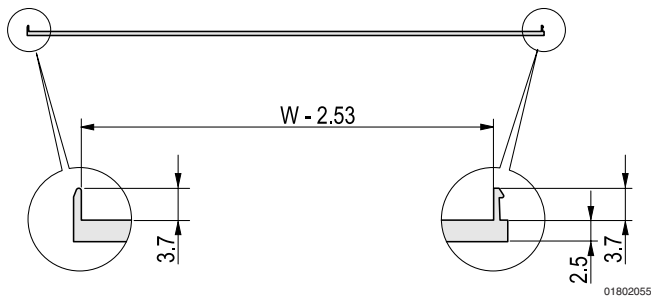
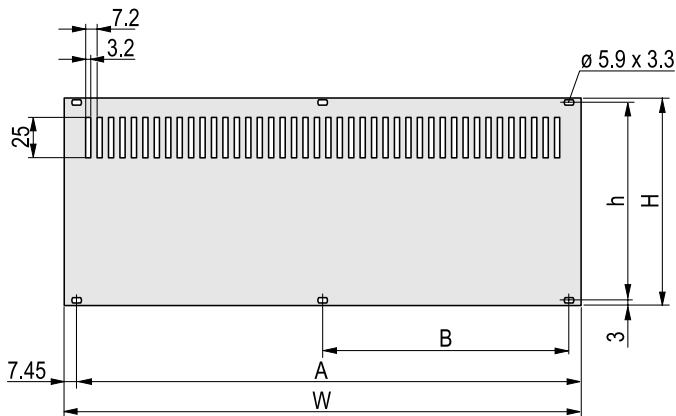
Delivery comprises (kit)

Item	Qty	Description
1	1	EMC profile seal, core: foam, Sleeve: textile cladding with CuNi coating

Order Information

Height U	Height mm	Qty	Order no.
3	97	10	21101-853
3	97	100	21101-854
4	142	10	21101-858
6	232	10	21101-855
6	232	100	21101-856

 For further information www.schroff.biz/oneClick
oneClick code = Order no.

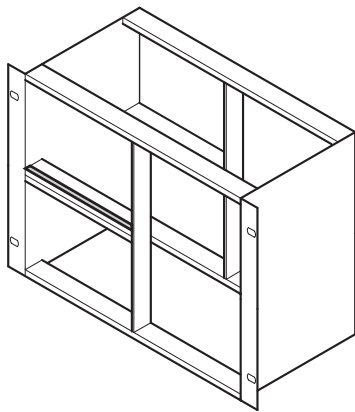


Case - *ratiopac* PRO / -air

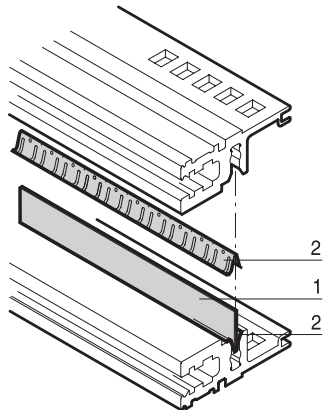
EMC gasketing for case

- Front panel / rear panel and horizontal rail
- Front panel / rear panel and side panel
- Side panel and cover plate

EMC gasketing, horizontal rails



BPA46548



BZA45877

- For shielding 2 horizontal rails located one directly above the other with vertical division of the mounting height

Delivery comprises

Item	Qty	Description
1	1	Cover strips, 1 mm aluminium
2	2	Contact spring, stainless steel

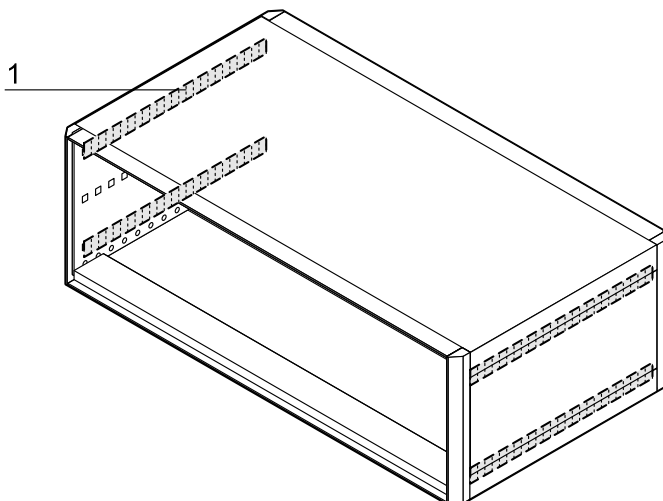
Order Information

Length	Order no.
HP	
20	24562-520
28	24562-528
40	24562-540
42	24562-542
63	24562-563
84	24562-584



For further information www.schroff.biz/oneClick
oneClick code = Order no.

EMC gasketing, side panel - cover plate



RPPR6640

- For horizontal EMC shielding between side panels and cover plates.

Delivery comprises (kit)

Item	Qty	Description
1	4	Contact strips, stainless steel

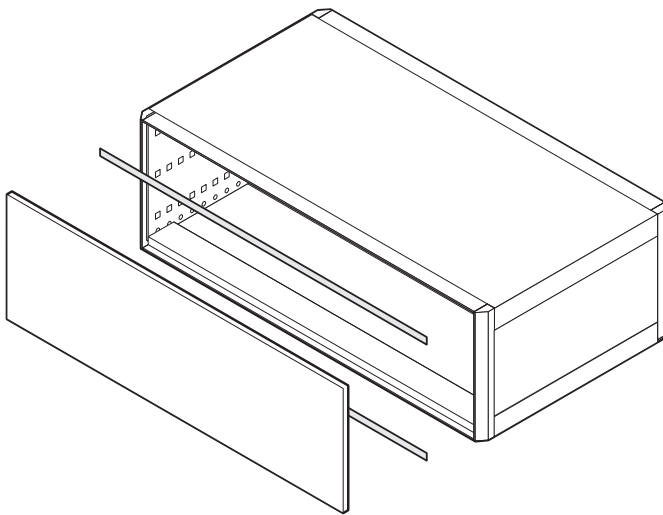
Order Information

Depth	Order no.
mm	
255	24571-338
315	24571-339
375	24571-340
435	24571-341
495	24571-342



Case - *ratio*pac **PRO** / -air

EMC gasketing front panel / rear panel - horizontal rail



RPPR6739

- The contact strip is clipped onto the horizontal rail and sets up the contact to front panels or rear panel

Delivery comprises

Item	Qty	Description
1	1	EMC gasketing, stainless steel

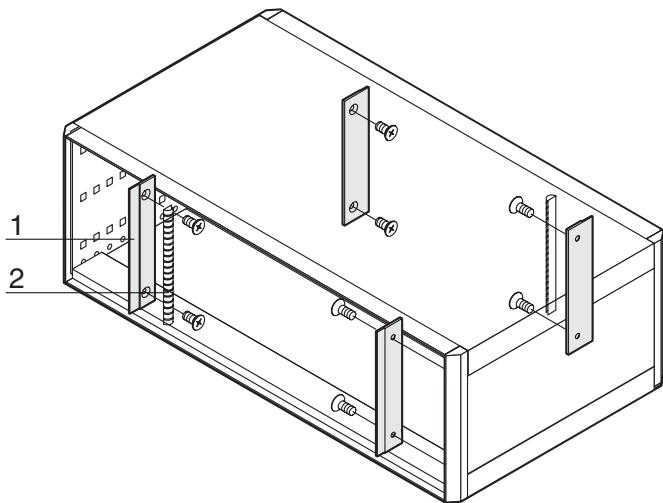
Order Information

Width HP	Width mm	Qty	Order no.
28	131.8	10	24560-229
42	202.9	10	24560-231
63	304.8	10	24560-233
84	416.3	10	24560-235
84	416.3	100	24560-236



For further information www.schroff.biz/oneClick
oneClick code = Order no.

EMC gasketing front panel / rear panel - side panel



RPPR6639

- For vertical EMC shielding between shielded plug-in units and the side panel.
- Sufficient for one case

Delivery comprises (kit)

Item	Qty	Description
1	4	EMC contact strip, aluminium profile
2	2	EMC profile seal. Core: foam. Sleeve: textile cladding with CuNi coating
3	1	Assembly kit

Order Information

Height U	Order no.
3	24571-331
4	24571-332
6	24571-333



For further information www.schroff.biz/oneClick
oneClick code = Order no.

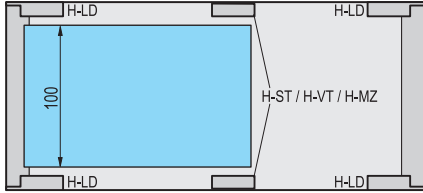
Case - *ratiopacPRO* / -air

Mounting position horizontal rails

ratiopacPRO

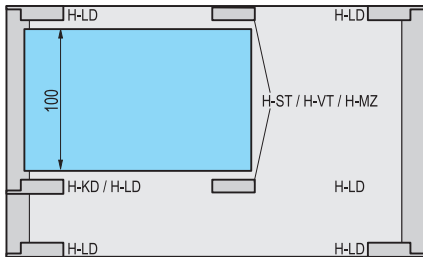
front rear

3 U



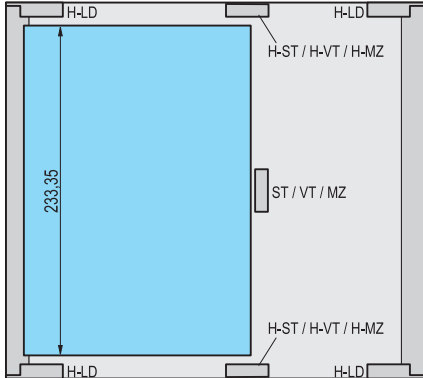
01802057

4 U (3 U + 1 U)



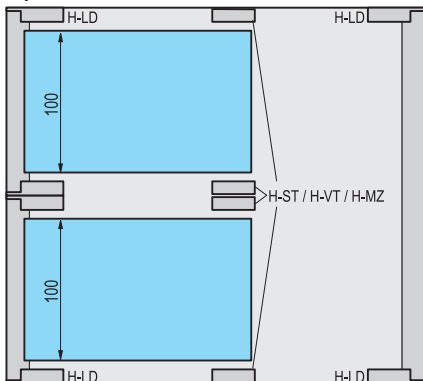
01802058

6 U



01802059

6 U (2 x 3 U)

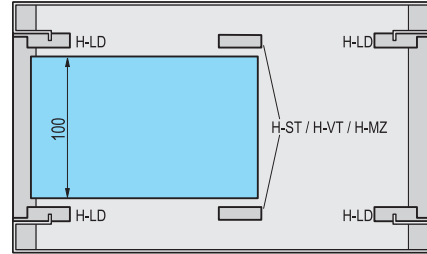


01802060

ratiopacPRO air

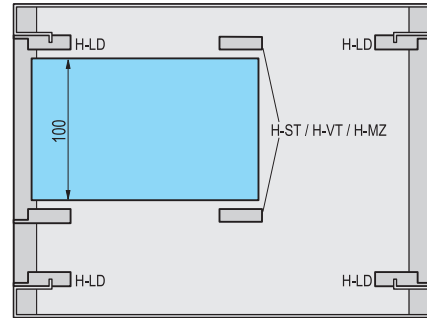
front rear

3/4 U (1/2 U + 3 U + 1/2 U)



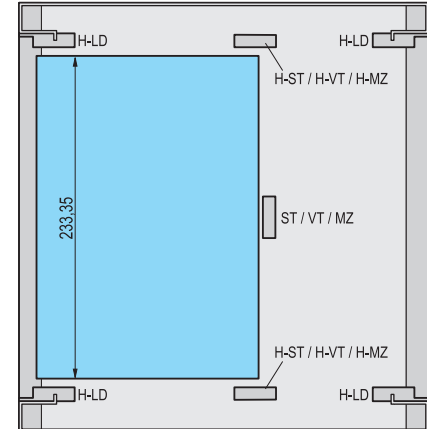
01802061

4/5 U (1/2 U + 3 U + 1 U + 1/2 U)



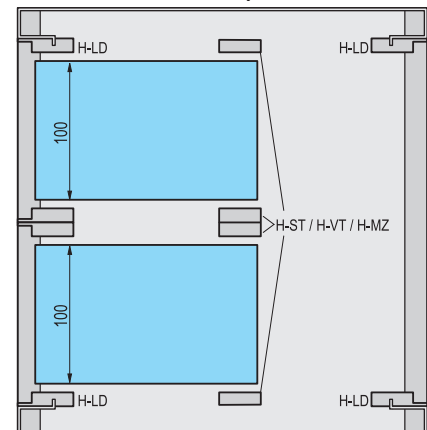
01802062

6/7 U (1/2 U + 6 U + 1/2 U)



01802063

6/7 U (1/2 U + 3 U + 3 U + 1/2 U)



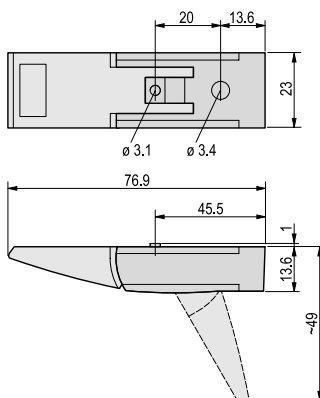
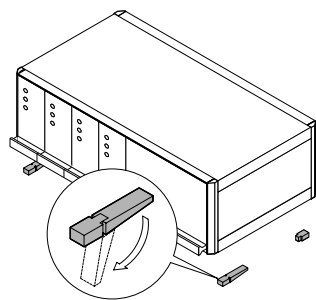
01802064

H-LL = delivered with ratiopacPRO / ratiopacPRO air cases
H-LD = H-LL, H-MZ = H-WZ



Case - ratiopac PRO / -air

Tip-up foot made of plastic



01802075

- Can be used instead of standard feet
- Carrying capacity: 25 kg per foot
- Mounting holes available in bottom of casing

Delivery comprises (kit)

Item	Qty	Description
1	4	Foot, PA UL 94 V-0
2	4	Anti-slip protection, TPE
3	2	Tip-up, PA UL 94 V-0
4	1	Assembly kit

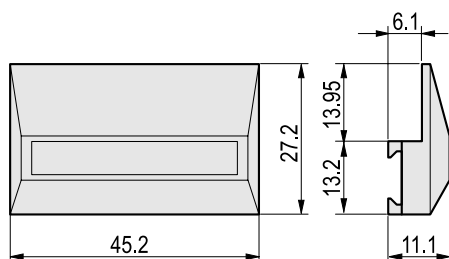
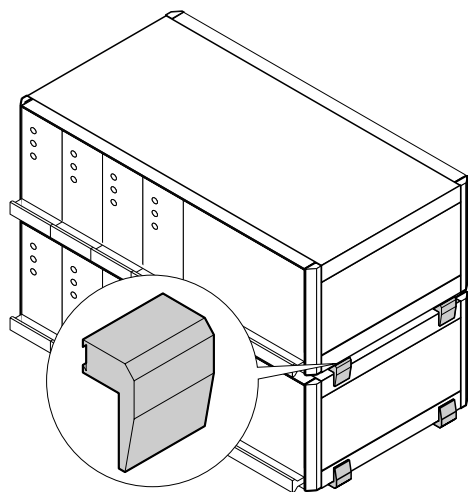
Order Information

Description	Order no.
Tip-up feet, silver, similar to RAL 9006	20603-001
Tip-up feet, anthracite, similar to RAL 7016	20603-002



For further information www.schroff.biz/oneClick
oneClick code = Order no.

Stacking aid case (for tip-up foot 2)



01802076

- A stacking aid can be rearranged into a design element

Delivery comprises (kit)

Item	Qty	Description
1	4	Stacking aid, PA UL 94 V-0

Order Information

Description	Order no.
Stacking aid, silver, similar to RAL 9006	20603-004
Stacking aid, anthracite, similar to RAL 7016	20603-003

Note

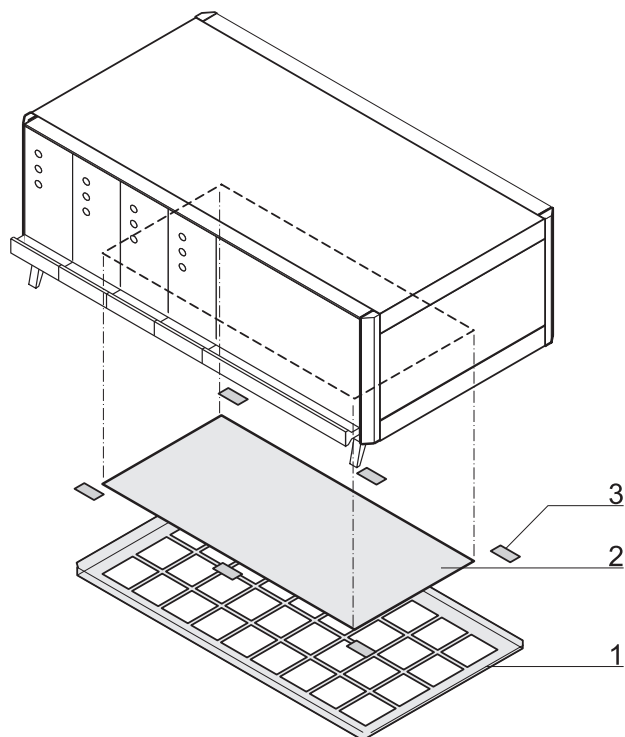
- Assembly only possible on tip-up foot 2



For further information www.schroff.biz/oneClick
oneClick code = Order no.

Case - *ratio*pacPRO / -air

Air filter for *ratio*pacPRO



- Subsequent assembly without reworking and tools
- Filter replacement without opening the case, IP protection retained

Delivery comprises (kit)

Item	Qty	Description
1	1	Filter holder, 1 mm aluminium, powder-coated RAL 9006
2	1	Filter mat, synthetic fibre
3	1	Set of Velcro-type fasteners

Order Information

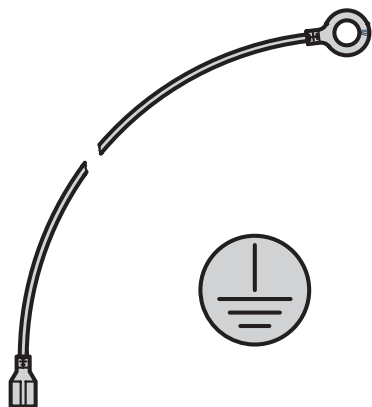
For case width	Air filter Order no.	Spare air filter Order no.
HP		
28	24571-325	64571-033
42	24571-326	64571-034
63	24571-327	64571-035
84	24571-328	64571-036

- To optimise the air supply, plastic tip-up feet must be fitted to the case, see page 3.18



For further information www.schroff.biz/oneClick
oneClick code = Order no.

Earthing kit



- Establishes protective earth connections between side panels, base and cover plates and rear panel.
- The earth connections comply with:
 - EN 50178
 - EN 60950
 - EN 61010-1
 - EN 61010-1A2
- VDE inspection carried out

Order Information

Description	Order no.
GND/earthing kit, 1 set, copper wire 1.5 mm ² , PVC sleeve	24571-380



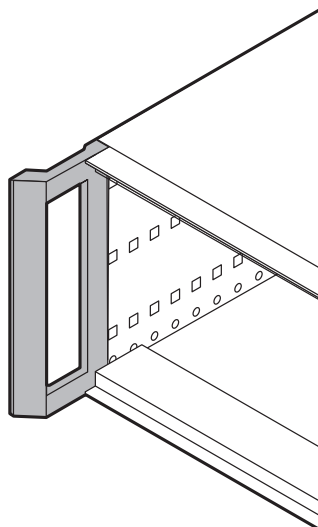
For further information www.schroff.biz/oneClick
oneClick code = Order no.

RPPP6658

AZA43284

Case - ratiopacPRO / -air

Front handle



RPPR6651

Delivery comprises (kit)

Qty	Description
2	Front handle, diecast aluminium, powder-coated RAL 7016

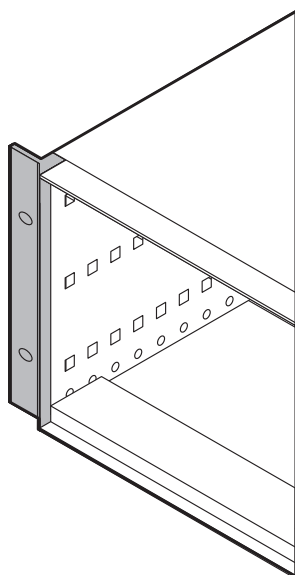
Order Information

Front handle for	Order no.
ratiopacPRO 3 U	24571-301
ratiopacPRO 4 U	24571-302
ratiopacPRO 6 U	24571-303
ratiopacPRO air 3/4 U	24571-304
ratiopacPRO air 4/5 U	24571-305
ratiopacPRO air 6/7 U	24571-306



For further information www.schroff.biz/oneClick
oneClick code = Order no.

19" mounting bracket



RPPR6652

Delivery comprises (kit)

Qty	Description
2	19" assembly bracket, diecast aluminium, powder-coated RAL 7016

Order Information

19"-mounting bracket	Order no.
ratiopacPRO 3 U	24571-295
ratiopacPRO 4 U	24571-296
ratiopacPRO 6 U	24571-297
ratiopacPRO air 3/4 U	24571-298
ratiopacPRO air 4/5 U	24571-299
ratiopacPRO air 6/7 U	24571-300

Note

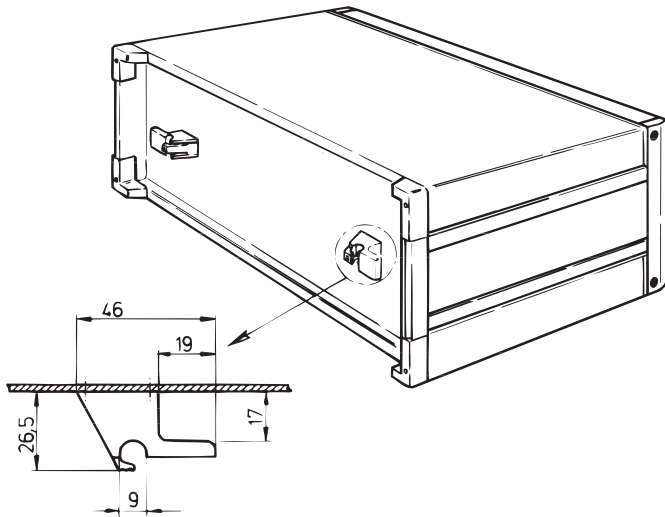
- No slide rails can be used for installation in cabinets and 19" cases



For further information www.schroff.biz/oneClick
oneClick code = Order no.

Case - ratiopac PRO / -air

Cable holder



A4/2200

Delivery comprises (kit)

Item	Qty	Description
1	2	Cable bracket, ABS UL V-0, RAL 7030 dark grey, for cables between 8 mm and 12 mm
2	1	Drilling template
3	1	Assembly kit

Order Information

Description	Order no.
Cable holder	20842-109



For further information www.schroff.biz/oneClick
oneClick code = Order no.

Air baffle for ratiopacPRO air

- The air baffle (item 3) closes the space (1/2 U) between the rear horizontal rail and base plate

Delivery comprises (kit)

Item	Qty	Description
3	1	Air baffle: PE foam, self-adhesive, temperature range: -20° C ... +120° C

Order Information

Length HP	Length mm	Order no.
42	218.4	20833-351
63	325.1	20833-352
84	431.8	20833-353

A3/501

Note

- Fan rear panel available on request

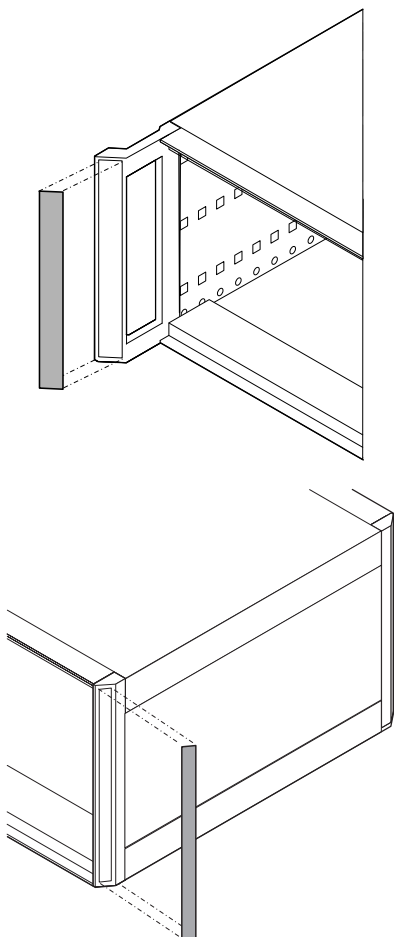


For further information www.schroff.biz/oneClick
oneClick code = Order no.



Case - *ratiopac* PRO / -air

Coloured films



Delivery comprises (kit)

Quantity (films/sheets)	Handle height in U	Description
32	3	Polyester film 0.07 mm, with adhesive film, 9 mm × 116.4 mm
16	3/4; 4	Polyester film 0.07 mm, with adhesive film, 9 mm × 160.8 mm
16	4/5	Polyester film 0.07 mm, with adhesive film, 9 mm × 205.3 mm
16	6	Polyester film 0.07 mm, with adhesive film, 9 mm × 249.7 mm
16	6/7	Polyester film 0.07 mm, with adhesive film, 9 mm × 294.2 mm

06801520

Order Information

Handle height in U	Raspberry red RAL 3027 Order no.	White aluminium RAL 9006 Order no.	Zinc yellow RAL 1018 Order no.
3	64571-043	64571-041	64571-042
3/4; 4	64571-047	64571-045	64571-046
4/5	64571-051	64571-049	64571-050
6	64571-055	64571-053	64571-054
6/7	64571-059	64571-057	64571-058

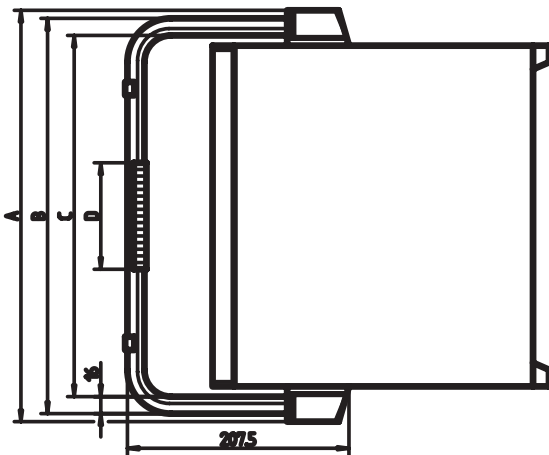


For further information www.schroff.biz/oneClick
oneClick code = Order no.

06801521

Case - *ratiopac* PRO / -air

Tip-up carrying handle



RPA43897

- Can be retrofitted without mechanical reworking of the case
- Adjustable in the 30° grid
- Load-carrying capacity 30 kg

Delivery comprises (kit)

Item	Qty	Description
1	1	Carrying bar, aluminium profile, powder-coated, RAL 9006
2	1	Handle shell, ABS, UL 94 V-0, RAL 7016
3	2	Tip-up protector, ABS, UL 94 V-0, RAL 7016
4	2	Notch device, diecast aluminium
5	2	Cover caps, ABS, UL 94 V-0, RAL 7016
6	1	Assembly kit

Order Information

For case height	For case width	A	B	C	D	Order no.
U	HP	mm	mm	mm	mm	
3, 4, 3/4, 4/5	42	283.4	279.4	247.4	115	24571-320
3, 4, 3/4, 4/5	63	390.1	386.1	354.1	195	24571-321
3, 4, 3/4, 4/5	84	496.8	492.8	460.8	195	24571-322

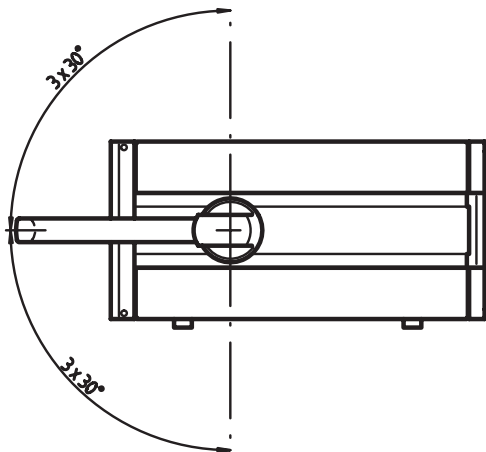
Note

- Not in conjunction with front handles for 4, 4/5 U
- Please order assembly kit for tip-up carrying handle separately



For further information www.schroff.biz/oneClick
oneClick code = Order no.

RPA43898



Assembly kit for tip-up carrying handle

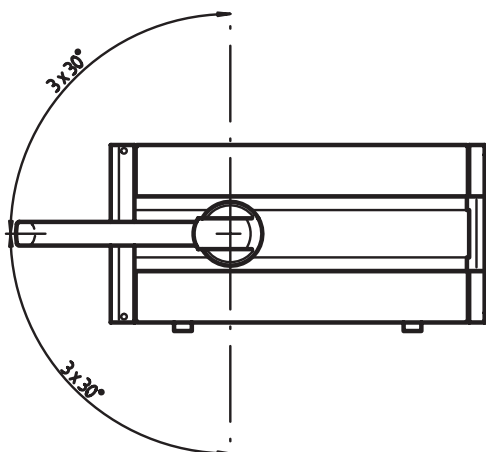
Delivery comprises (kit)

Item	Qty	Description
1	2	Side plate, aluminium profile, powder-coated, RAL 9006
2	2	Bow handle adapter, diecast aluminium, powder-coated, RAL 7016
3	1	Assembly kit

Order Information

For case height	For case depth	Order no.
U	mm	
3, 3/4	255	24571-352
3, 3/4	315	24571-353
3, 3/4	375	24571-354
3, 3/4	435	24571-355
3, 3/4	495	24571-356
4, 4/5	255	24571-359
4, 4/5	315	24571-360
4, 4/5	375	24571-361
4, 4/5	435	24571-362
4, 4/5	495	24571-363

RPA43898



Case - *ratiopac* PRO / -air

Strap handle

- Can be retrofitted without mechanical reworking of the case
- Load-carrying capacity 20 kg

Delivery comprises (kit)

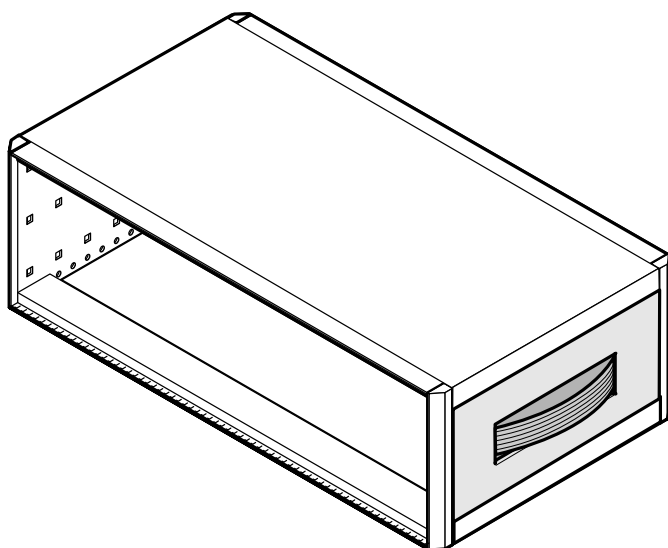
Item	Qty	Description
1	1	Handle, steel spring, plastic-sheathed (flexible plastic), RAL 7016
2	1	Side plate, aluminium, chromated, visible surfaces powder-coated, RAL 9006
3	1	Cover sheet, polyester, RAL 9006
4	2	Adapter, diecast aluminium
5	1	Assembly kit

Order Information

For case depth	for case height 3, 3/4		for case height 4, 4/5	
	U		U	
mm	Order no.		Order no.	
255	24571-307		24571-313	
315	24571-308		24571-314	
375	24571-309		24571-315	
435	24571-310		24571-316	
495	24571-311		24571-317	



For further information www.schroff.biz/oneClick
oneClick code = Order no.



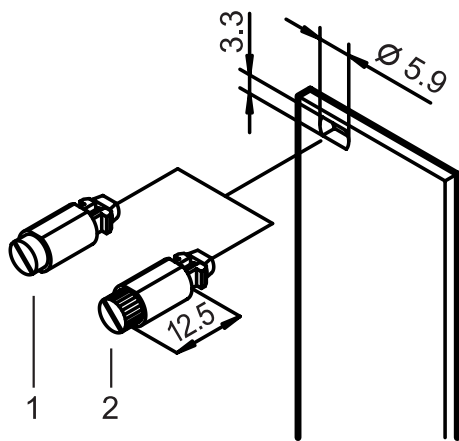
06801515

Case - ratiopac PRO / -air

Assembly parts

- Quick-release fastener
- Sleeve
- Bolts
- Nuts
- Tools

Quick-release fastener



06702062

- Vibration and shakeproof
- 1/4-Rotary lock with defined stop
- Detection of fastening position with slot position

Delivery comprises

Qty	Description
1	Locking pins, steel
1	Press-in sleeve, POM

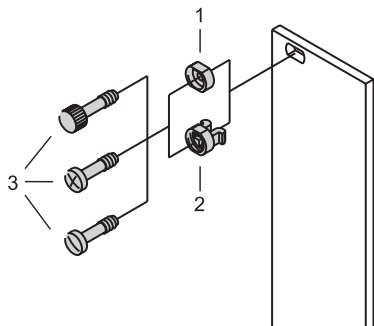
Order Information

Item	Type	Qty	Order no.
1	With slotted head, grey	100	21101-847
1	With slotted head, black	100	21101-848
2	With knurled head, grey	100	21101-849
2	With knurled head, black	100	21101-850

Note

Quick-release fastener: mounting without threaded insert

Sleeve



06702061

Order Information

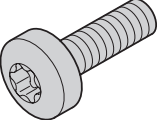
Item	Description	Qty	Order no.
2	Plastic sleeve, PA, grey	100	21100-464
2	Plastic sleeve, PA, black	100	21100-591
1	Metal sleeves, brass, nickel-plated	100	21100-660
1	Metal sleeves, brass, black	100	21100-886
1	Metal sleeves, stainless steel	100	21100-662

Note

- Metal sleeves must be pressed into the front panels.
- Please order collar screw (item 3) separately, see page 3.26

Torx pan head screw

Order Information

	Description	Application	Material	Dimension	Qty	Order no.
	Torx pan head screw	For horizontal rail on side panel, with earthing function	Zinc-plated steel	M4 × 14	100	24571-371
	Torx pan head screw	For horizontal rail to side panel if guide rail bolted onto slot 1	Zinc-plated steel	M4 × 10	100	24571-372

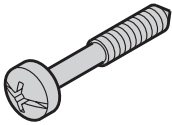
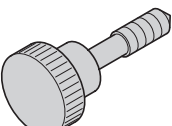
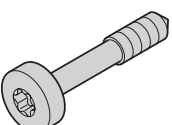
AZA45923



Case - ratiopacPRO / -air


Collar screw

Order Information

	Description	Application	Material	Dimension	Qty	Order no.
 <small>AZA46586</small>	Collar screw with pozidrive/slot	For assembly of front panels When threaded strips are used	Nickel-plated steel	M2.5 × 12.3	100	21101-101
			Zinc-plated steel, black	M2.5 × 12.3	100	21101-102
 <small>AZA45929</small>	Collar screw with knurled head	For assembly of front panels When threaded strips are used	Nickel-plated steel, black	M2.5 × 12.3	100	21101-749
		For assembly of front panels When threaded strips are used For horizontal rails with long top lip	Nickel-plated steel	M2.5 × 12.3	100	21101-909
 <small>AZA45941</small>	Collar screw with Torx	For assembly of front panels When threaded strips are used	Nickel-plated steel	M2.5 × 12.3	100	21101-782
			Zinc-plated steel, black	M2.5 × 12.3	100	21101-783

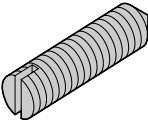
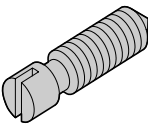
Countersunk head screw

Order Information

	Description	Application	Material	Dimension	Qty	Order no.
 <small>AZA46585</small>	Torx countersunk screw	For contact strip europacPRO, ratiopacPRO	Zinc-plated steel	M4 × 5	100	24560-139


Grub screw

Order Information

	Description	Application	Material	Dimension	Qty	Order no.
 <small>06702052</small>	Grub screw	For threaded inserts on horizontal rails	Zinc-plated steel	M2.5 × 8	100	21100-276
 <small>BZA45853</small>	Grub screw	For threaded inserts and perforated strips in horizontal rail	Nickel-plated steel	M2.5 × 9	100	21101-359

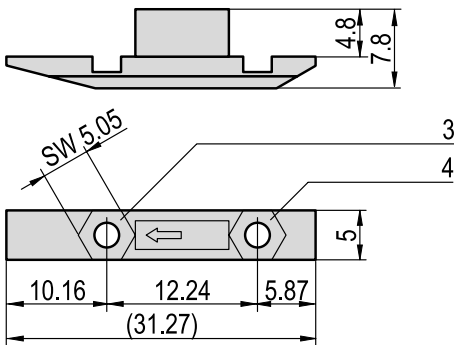
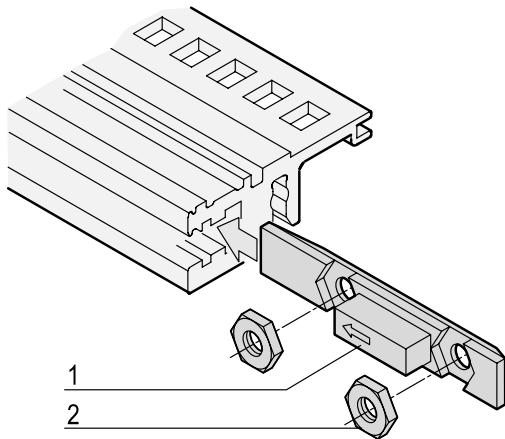
Nuts

Order Information

	Description	Application	Material	Dimension	Qty	Order no.
 <small>AZA45921</small>	Square nut	For assembly of variable parts on side panels, cover plates, rear angles, contact strips, chassis plates	Zinc-plated steel	M4	100	24560-140

Case - ratiopac PRO / -air

Slide nuts



06702060

- The slide nut is pushed into the groove of the threaded insert

Delivery comprises (kit)

Item	Qty	Description
1	1	Slide, Crastin, red, UL 94 V-0, PBT
2	2	Nut M 2.5, zinc-plated steel

Order Information

Description	Qty.	Order no.
Slide nut, Set 1	100 slides / 200 nuts	24560-165
Slide nuts, Set 2	12 slides / 24 nuts	24560-166

Note

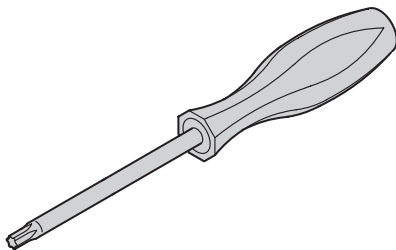
- Nuts used in item 3:
application for
 - hinged front panels 84 HP
 - Full-width front panels or full-width rear panels 84 HP
- Nuts used in item 4:
application for
 - Hinged front panels
- Nuts used in items 3 and 4:
application for
 - two front panels



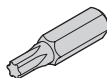
For further information www.schroff.biz/oneClick
oneClick code = Order no.

Assembly tool

Order Information



AZA45925



AZA45924

Description	Dimension	Qty	Order no.
Torx screwdriver	T8 × 60	1	64560-026
	T20 × 100	1	64560-027
Torx bit for screwdriver	T8	1	64560-028
	T20	1	64560-029



Overview 0

Cabinets 1

Climate Control 2

Cases 3

Subracks/
19" chassis 4

Modules 5

Systems 6

Power supply
units 7

Backplanes 8

Accessories 9

Appendix 10

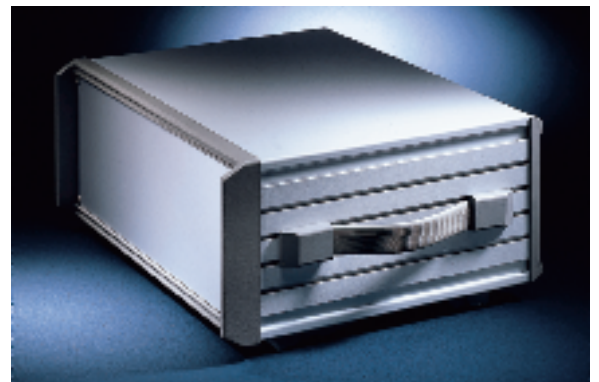
Cases - propac



05894008



05894020



05895003

Interchangeable design elements

Accessories for portable versions

Standards

- Inside and outside dimensions according to: IEC 60297-3
- Protection to IP 20 according to IEC 60529
- GND/earthing in accordance with EN 50178, EN 60950, EN 61010-1, EN 61010-1A2
- EMC tests in accordance with VG 95373 part 15

Modifications

- Special finishing
- Special depths
- Cutouts in top cover, bottom cover and rear panel
- Silk screening of front panel and rear panels
- Customized assembly service
- Customized design elements
- Vented rear panel

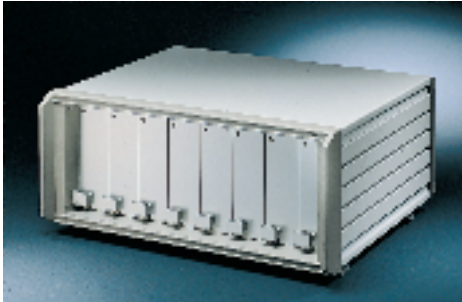


Further important information can be found on the Internet under www.schroff.biz



Desktop case or portable case

- For mounting boards and modules
- Protection to IP 20
- Optional EMC shielding via gaskets
- Extensive accessories, for portable applications



05895004

Desktop case



05894012

Portable version



05894024

Tower

propac accessories propac / compac accessories

Cases

2, 3 U.....	3.30
4, 6 U.....	3.31
Tower	3.32

propac accessories

Front panel.....	3.33
Rear panel.....	3.34
EMC gasketing	3.35
Design elements	3.36
Infill panel.....	3.37
Tip-up carrying handles	3.38
Air filter.....	3.39
Front hood 3 U	3.40
Rear hood.....	3.41
Chassis plate	3.42
Earthing kit	3.42
Mounting position module/horizontal rails	3.43

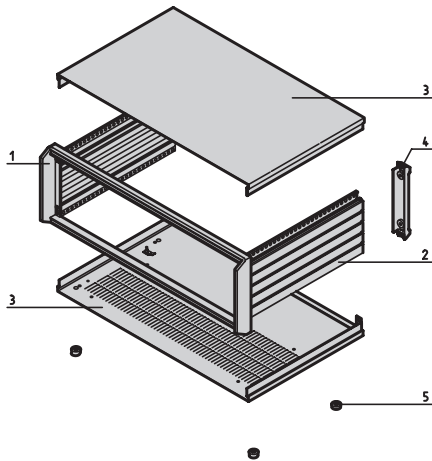
propac/compac accessories

Horizontal rails	3.44
Cable holder.....	3.47
Z-rail / Perforated rail.....	3.48
Threaded insert.....	3.49
Perforated strips	3.50
Slide nut for front horizontal rail	3.51
Insulation strip	3.52
Assembly part kit for Z- and perforated rails	3.52
Guide rails.....	3.54
Tip-up feet	3.59



Case - *propac*

Case 2 and 3 U



Delivery comprises (in kit form, items 1 - 4 assembled)

Item	Qty	Description
1	1	Frame, diecast aluminium, powder-coated, RAL 7030 dark grey
2	2	Side panel, aluminium profile, powder-coated, RAL 7035 light grey
3	2	Top and base, aluminium, 1 mm, internal surface conductive, visible surface powder-coated, RAL 7035 light grey, with GND/earthing connection, base with 4 rows of ventilation slots
4	2	Rear foot, ABS, RAL 7030 dark grey, UL 94 V-0
5	4	Case foot with anti-slip protection, PC, black, UL 94 V-0

Order Information

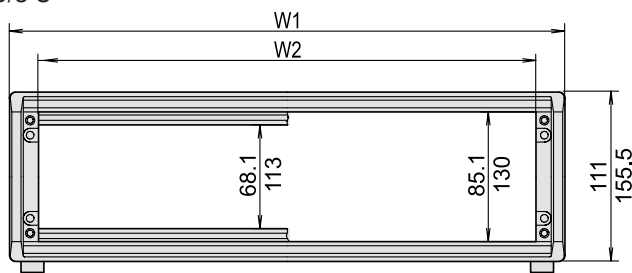
Usable width W2	Width W1	Depth D	2 U		3 U	
			Order no.	Order no.	Order no.	Order no.
TE	mm	mm	mm			
28	147.3	185.9	256	-	10850-013	
28	147.3	185.9	316	-	10850-014	
42	218.4	257	256	10850-001	10850-015	
42	218.4	257	316	10850-002	10850-016	
42	218.4	257	376	-	10850-017	
63	325.1	363.7	256	10850-004	10850-019	
63	325.1	363.7	316	10850-005	10850-020	
63	325.1	363.7	376	10850-006	10850-021	
84	431.8	470.3	256	-	10850-023	
84	431.8	470.3	316	-	10850-024	
84	431.8	470.3	376	-	10850-025	
84	431.8	470.3	436	-	10850-026	
84	431.8	470.3	496	-	10850-027	

Maximum mounting depth = D - 45
(open space: front panel - rear panel)



For further information www.schroff.biz/oneClick
oneClick code = Order no.

2 U/3 U

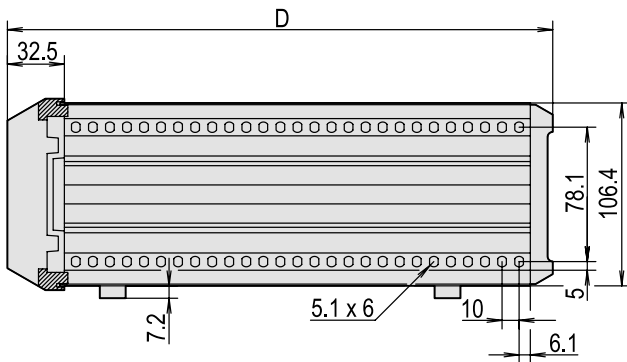


PPA43734

05802050

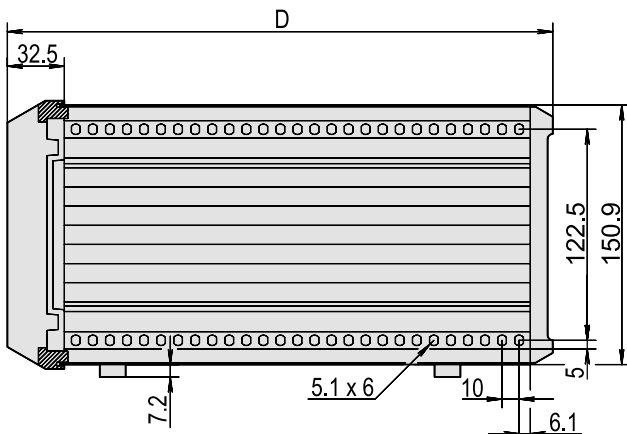
W2 = usable width
1HE = 1 U

2 U



05802051

3 U

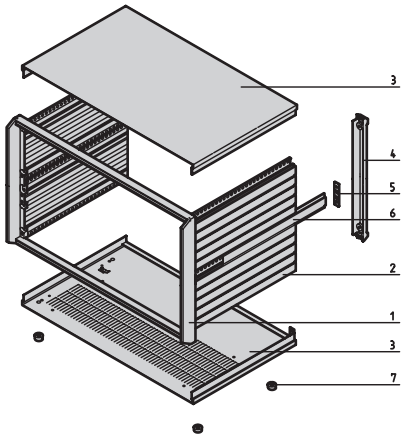


05802052



Case - propac

Case 4 and 6 U

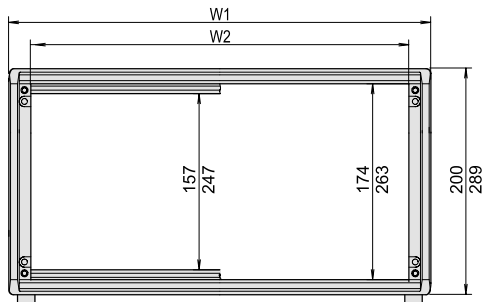


Delivery comprises (in kit form, items 1 - 6 assembled)

Item	Qty		Description
	4 U	6U	
1	1	1	Frame, diecast aluminium, powder-coated, RAL 7030 dark grey
2	2	4	Side panel, aluminium profile, powder-coated, RAL 7035 light grey
3	2	2	Top and base, aluminium, 1 mm, internal surface conductive, visible surface powder-coated, RAL 7035 light grey, with GND/earthing connection, base with 4 rows of ventilation slots
4	2	2	Rear foot, ABS, RAL 7030 dark grey, UL 94 V-0
5	-	2	Adapter bracket, aluminium
6	2	2	Side panel cover rail, aluminium profile, powder-coated, RAL 7035 light grey
7	4	4	Case foot with anti-slip protection, PC, black, UL 94 V-0

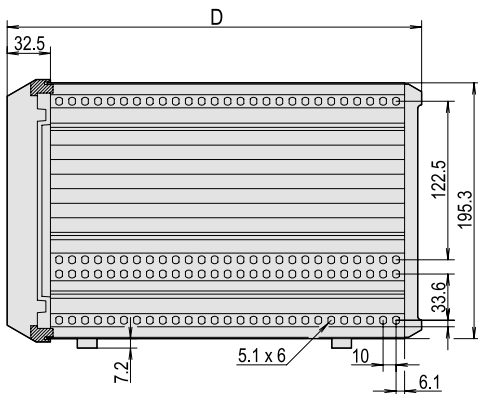
PPA45100

4 U/6 U



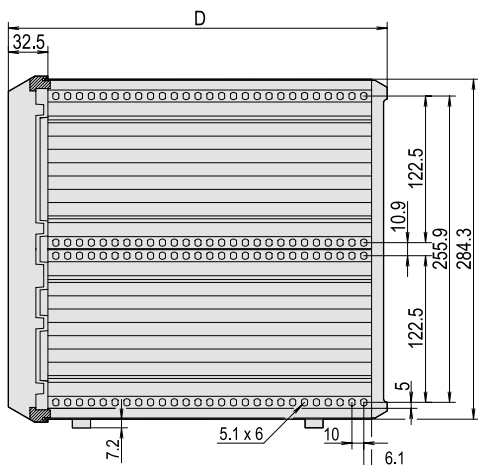
W2 = usable width
1HE = 1 U

4 U



05802053

6U



05802054

05802055

Order Information

Usable width W2	Width W1	Depth D	4 U	6U	
			Order no.	Order no.	
42	218.4	257	256	10850-029	-
42	218.4	257	316	10850-030	-
63	325.1	363.7	256	10850-033	-
63	325.1	363.7	316	10850-034	-
63	325.1	363.7	376	10850-035	-
63	325.1	363.7	436	10850-036	-
84	431.8	470.3	316	-	10850-054
84	431.8	470.3	376	10850-040	10850-055
84	431.8	470.3	436	10850-041	10850-056
84	431.8	470.3	496	10850-042	10850-057

Maximum mounting depth = D - 45
(open space: front panel - rear panel)

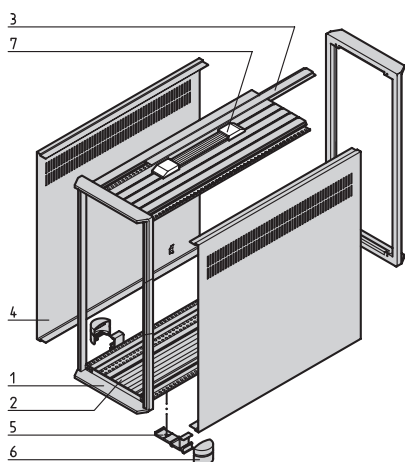


For further information www.schroff.biz/oneClick
oneClick code = Order no.



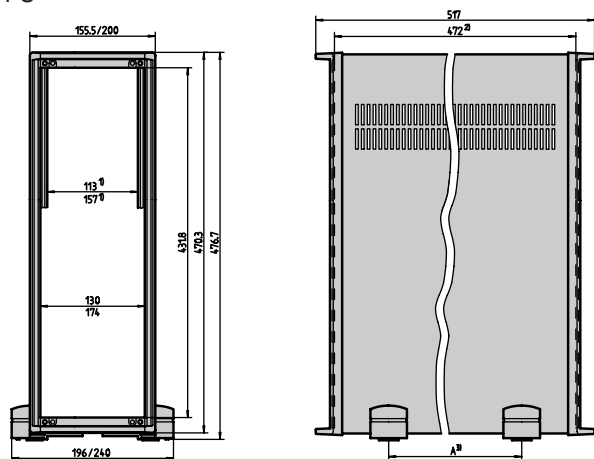
Case - propac

Tower case 3 and 4 U



PPA44460

3 U/4 U



05803050

1) Open space between horizontal rails; 2) Max. mounting depth $t = 472$ mm; 3) Can be mounted variably

Delivery comprises (in kit form, items 1 - 4 assembled)

Item	Qty	Description
1	2	Frame, diecast aluminium, powder-coated, RAL 7030 dark grey
2	2	Base/top cover, aluminium profile, powder-coated, RAL 7035 light grey
3	1	Cover rail, aluminium profile, powder-coated, RAL 7035 light grey, only with 4 U
4	2	Side plates with ventilation slots, 1 mm aluminium, internal surface conductive, visible surface powder-coated RAL 7035 light grey, with GND/earthing connection
5	4	Case foot, aluminium profile
6	4	Foot cover, PC, RAL 7030 dark grey

Please order strap handle separate

Order Information

Type	Order no.
3 U tower case	10851-200
4 U tower case	10851-205
Strap handle (Item 7), steel spring, plastic-sheathed, grey	20850-250



For further information www.schroff.biz/oneClick
oneClick code = Order no.

Panels for tower rear panel

- Required if front panels are used as rear panels

Delivery comprises

Item	Qty	Description
1	2	Panel for propac tower rear panel, aluminium profile, 2.2 mm, anodic coating
2	4	Flathead screws, M 4 x 6, nickel-plated steel

Order Information

Type	Order no.
For tower case 3 U width	20850-386
For tower case 4 U width	20850-387

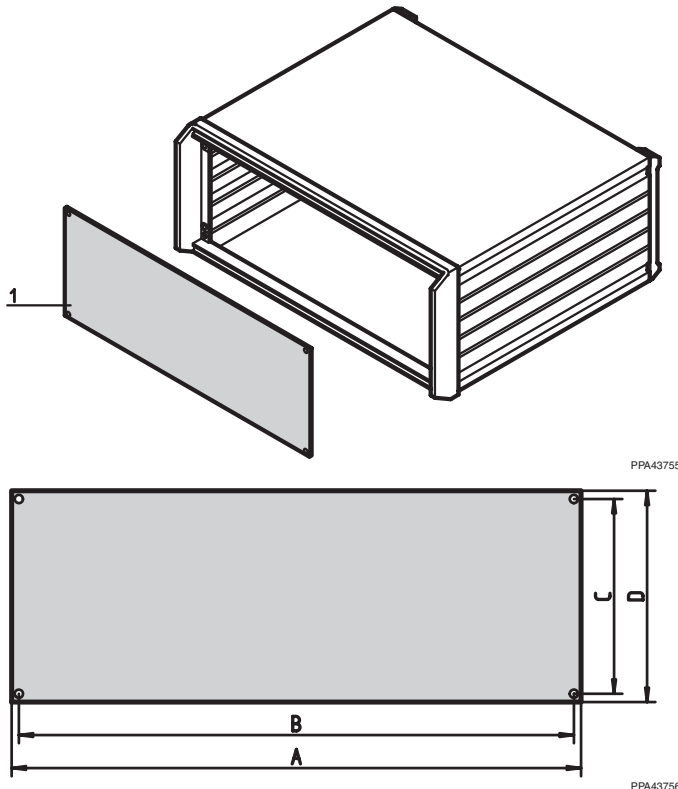
- Partial width front panels, see chapter 'Plug-in units - front panels'



For further information www.schroff.biz/oneClick
oneClick code = Order no.

Case - propac - Accessories

Full-width front panel



- Assembly directly on the case frame.

Delivery comprises (kit)

Item	Qty	Description
1	1	Full-width front panel, 2 mm aluminium, (with 84 HP = 2.5 mm), anodised, untreated cut edges
2	1	Assembly kit

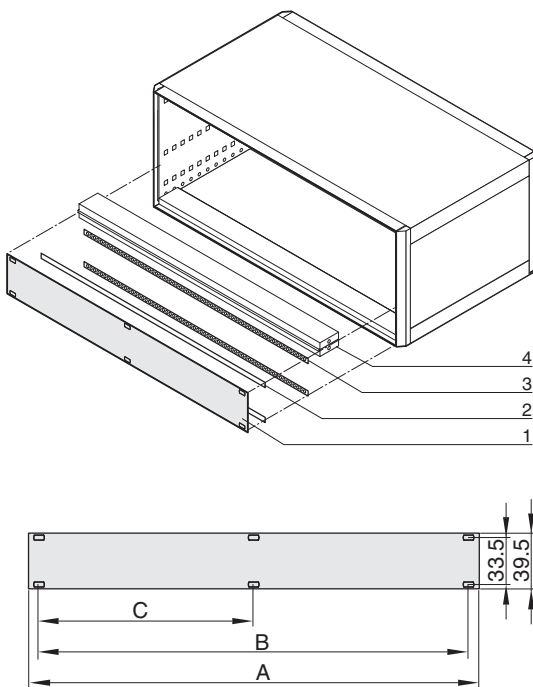
Order Information

For case height	For case width	A	B	C	D	Order no.
U	HP	mm	mm	mm	mm	
3	28	167.6	158.9	118.5	128.5	20850-134
2	42	238.7	230	74	84	20850-128
3	42	238.7	230	118.5	128.5	20850-135
4	42	238.7	230	162.9	172.9	20850-142
2	63	345.4	336.7	74	84	20850-129
3	63	345.4	336.7	118.5	128.5	20850-136
4	63	345.4	336.7	162.9	172.9	20850-143
2	84	452	443.3	74	84	20850-130
3	84	452	443.3	118.5	128.5	20850-137
4	84	452	443.3	162.9	172.9	20850-144
6	84	452	443.3	258.8	261.8	20850-158



For further information www.schroff.biz/oneClick
oneClick code = Order no.

EMC partial width front panel 1 U



- Assembly on horizontal rails
- Only for propac 4 U

Delivery comprises (kit)

Item	Qty	Description
1	1	Front panel, 2.5 mm aluminium, metal sleeves pressed in, front anodised, rear side yellow chromated
2	2	Contact strips, stainless steel
5	1	Assembly kit

Order Information

Width	A	B	C	Order no.
HP	mm	mm	mm	
28	141.9	127	—	20850-284
42	213	196.1	101.6	20850-285
63	319.7	304.8	157.5	20850-286
84	426.4	411.5	208.3	20850-287

Note

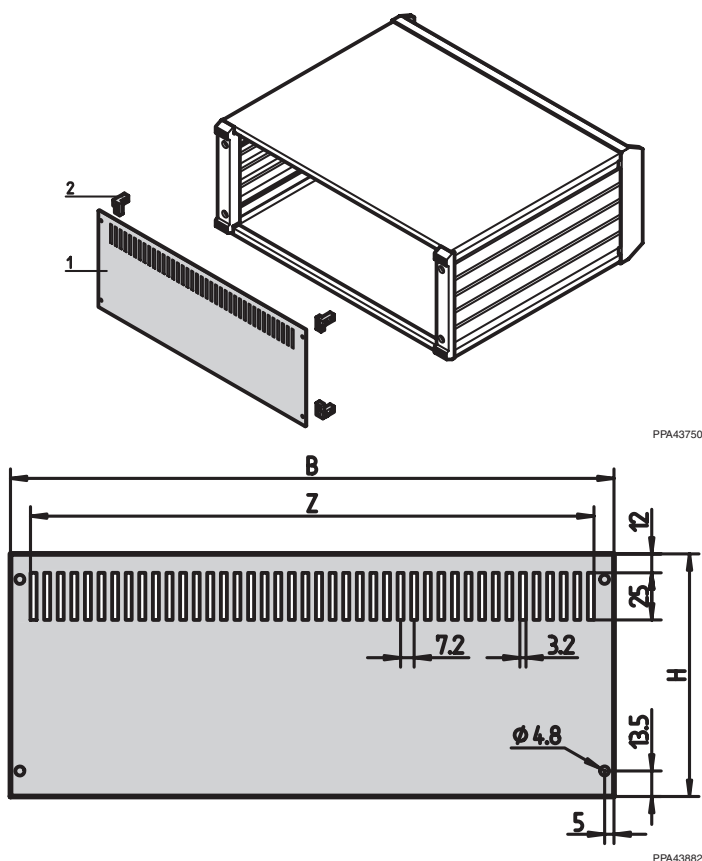
Please order separately:

- Item no. 3: see Internal mounting, threaded inserts (insert 2 pieces), page 3.49
- Item no. 4: see 'Front double horizontal rail (1 piece), page 3.44



Case - propac - Accessories

Unshielded full-width rear panel



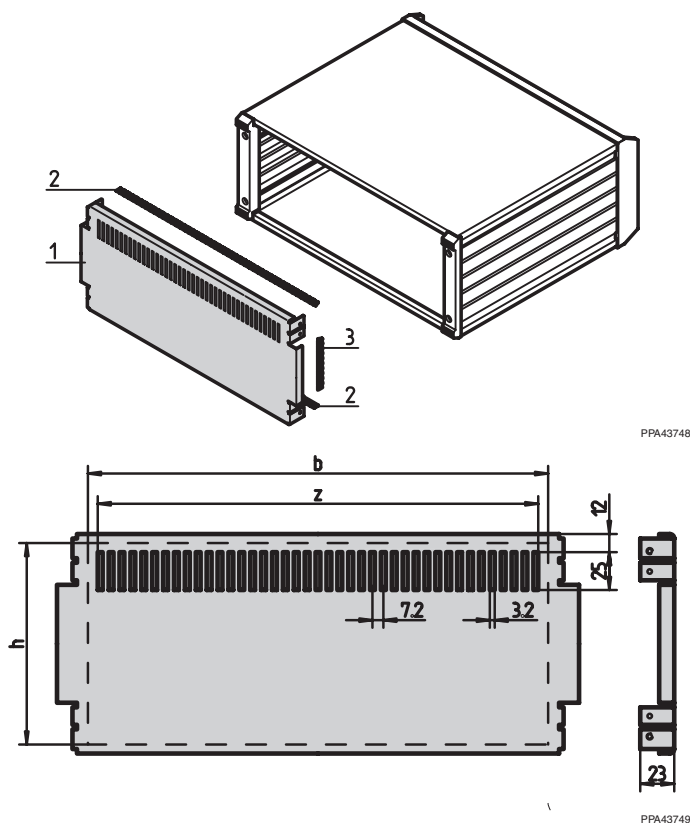
Delivery comprises (kit)

Item	Qty	Description
1	1	Full-width rear panel, aluminium, anodised, plain cut edges 28, 42, 63 HP = 2 mm thick 84 HP = 2.5 mm thick
2	4	Support bracket, diecast zinc
3	1	Assembly kit

Order Information

Height	Width B	H	Z	with vent slots Order no.	without vent slots Order no.	
U	HP	mm	mm	mm	mm	
2	42	213	84	190	20850-044	20850-359
2	63	320	84	298	20850-045	20850-360
2	84	426	84	406	20850-046	20850-361
3	28	142	128.5	118	20850-050	20850-364
3	42	213	128.5	190	20850-051	20850-365
3	63	320	128.5	298	20850-052	20850-366
3	84	426	128.5	406	20850-053	20850-367
4	42	213	172.9	190	20850-058	20850-372
4	63	320	172.9	298	20850-059	20850-373
4	84	426	172.9	406	20850-060	20850-374
6	84	426	261.8	406	20850-074	20850-381

Shielded full-width rear panel



Delivery comprises (kit)

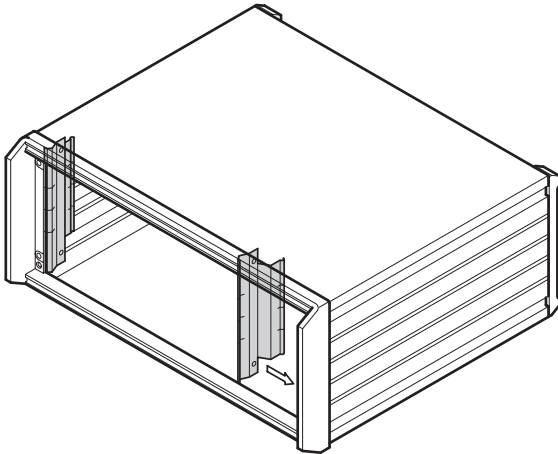
Item	Qty	Description
1	1	EMC full-width rear panel, 1.5 mm aluminium, clear chromated, with GND/earthing connection (fast-on connector 6.3 mm)
2	2	Horizontal contact strips, stainless steel
3	2	Vertical contact strip, stainless steel
4	1	Assembly kit

Order Information

Height	Width b	z	h for case		Order no.	
			without horizontal rail	with horizontal rail		
U	HP	mm	mm	mm	mm	
2	42	214.4	183	85.1	68.1	20850-002
2	63	321.1	298	85.1	68.1	20850-003
3	28	143.3	111	130	113	20850-008
3	42	214.4	183	130	113	20850-009
3	63	321.1	298	130	113	20850-010
3	84	427.8	399	130	113	20850-011
4	42	214.4	183	174	157	20850-016
4	63	321.1	298	174	157	20850-017
4	84	427.8	399	174	157	20850-018
6	84	427.8	399	263	246	20850-032

Case - propac - Accessories

EMC contact springs



PPA43792

- To set up the HF shielding between EMC modules and the side panel
- Can be used for front and rear side

Delivery comprises (kit)

Item	Qty	Description
1	1	Set of contact spring, stainless steel
2	1	Assembly kit

Order Information

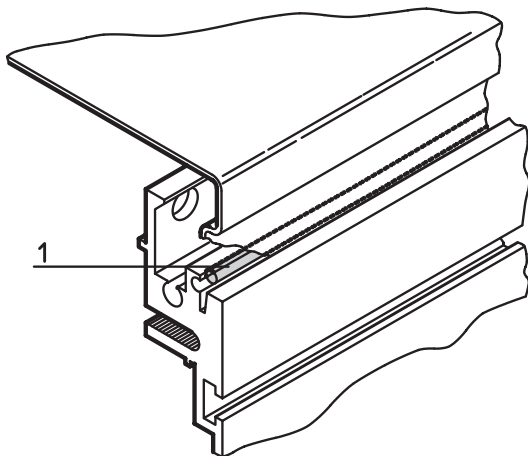
For case height	Order no.
U	
2	20850-220
3	20850-221
4	20850-222

6 U : 2 kits 20850-221 are required



For further information www.schroff.biz/oneClick
oneClick code = Order no.

EMC side panel seal



PPA43828

- To seal between side panel and cover of base plate

Order Information

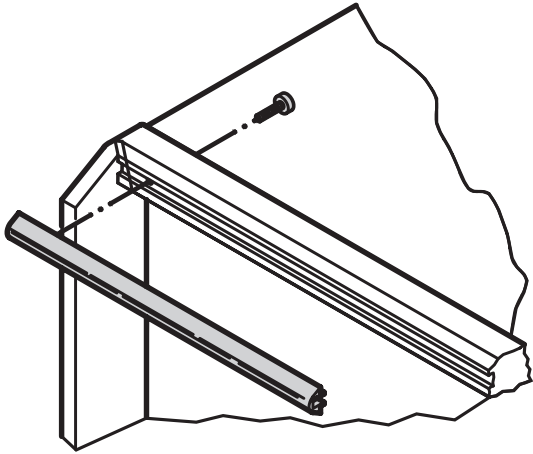
Item	Type	Order no.
1	Seal, silicone with silver coating, \varnothing 2.4 mm, length 2.1 m	30850-354



For further information www.schroff.biz/oneClick
oneClick code = Order no.

Case - propac - Accessories

Design elements






PPA43764

- Can be mounted retrospectively

Delivery comprises (kit)

Form	Qty	Description
1-3	1	Design element, aluminium profile, powder-coated
	1	Assembly kit

Order Information

Description	Width	Light grey	Brilliant blue
		RAL 7035	RAL 5007
	HP	Order no.	Order no.
Form 1  PPA43761	42	20850-184	20850-299
	63	20850-185	20850-300
	84	20850-186	20850-301
Form 2  PPA43762	42	20850-190	20850-315
	63	20850-191	20850-316
	84	20850-192	20850-317
Form 3  PPA43763	42	20850-196	20850-331
	63	20850-197	20850-332
	84	20850-198	20850-333

28 HP available on request

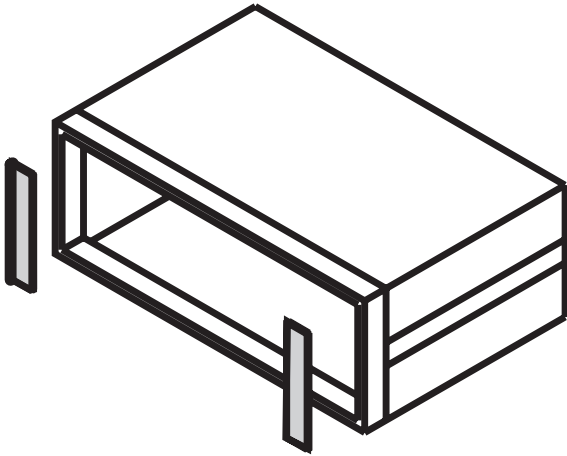


For further information www.schroff.biz/oneClick
oneClick code = Order no.



Case - propac - Accessories

Infill panel



AZA45128

- For lateral covering of the frame and to set up a consistent front level with partial width front panels and plug-in units

Delivery comprises (kit)

Item	Qty	Description
1	2	Side panel, aluminium profile 2.2 mm, anodised
2	6	Nut, aluminium

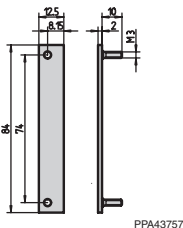
Order Information

For case height	Type	Order no.
U		
2	–	20850-169
3	–	20850-170
4	–	20850-171
4	with notches for the front horizontal rails (3 U+1 U pitch)	20850-177
6	–	20850-173
6	2 × 3 U pitch	20850-179



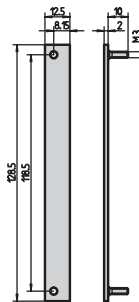
For further information www.schroff.biz/oneClick
oneClick code = Order no.

2 U



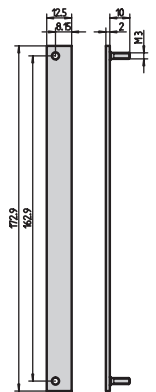
PPA43757

3 U



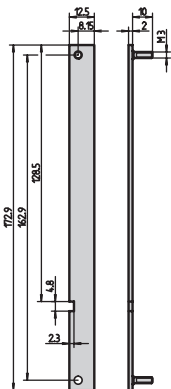
PPA43758

4 U



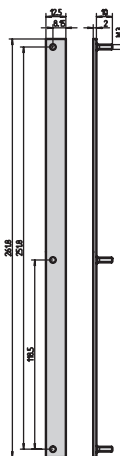
PPA43759

4¹⁾ U



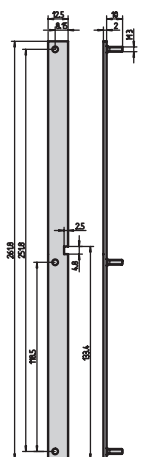
PPA43760

6 U



PPA45111

6²⁾ U



PPA45104

1) with notches for the front horizontal rails with top cover (3 U+1 U pitch)

2) 2 × 3 U pitch



For further information ... www.schroff.biz

UK 08/2003

3.37

Case - propac - Accessories

Tip-up carrying handle



05894001

- Can be retrofitted without mechanical reworking of the case
- Tip-up angle in 30° increments (can be locked)
- Load-carrying capacity 30 kg

Delivery comprises (kit)

Item	Qty	Description
1	1	Carrying bar, aluminium profile, powder-coated, RAL 7035 light grey
2	1	Handle shell, ABS, UL 94 V-0, RAL 7030 dark grey
3	2	Tip-up protector, ABS, UL 94 V-0, RAL 7030 dark grey
4	2	Notch device, diecast aluminium, raw
5	2	Cover caps for notch device, ABS, UL 94 V-0, RAL 7030 dark grey
6	1	Assembly kit

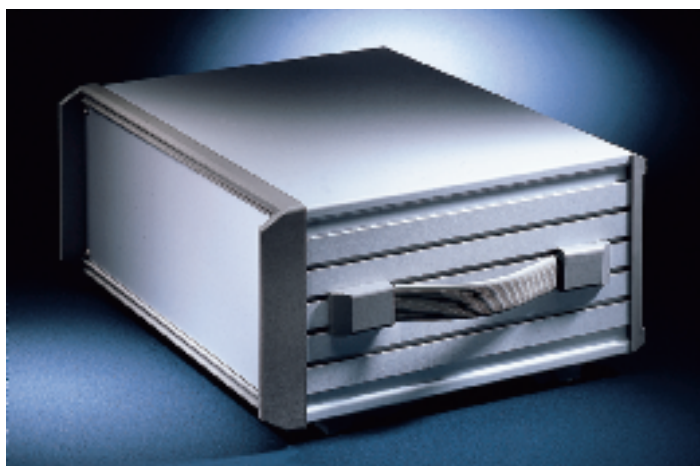
Order Information

For case width	Order no.
HP	
42	20850-252
63	20850-253
84	20850-254



For further information www.schroff.biz/oneClick
oneClick code = Order no.

Strap handle



05895003

- Can be retrofitted without mechanical reworking of the case
- Load-carrying capacity 20 kg

Delivery comprises (kit)

Item	Qty	Description
1	1	Handle section, steel spring, plastic-sheathed, flexible plastic, grey
2	2	Cover, PC, RAL 7030 dark grey
3	1	Assembly kit

Order Information

Description	Order no.
Strap handle	20850-250

Note

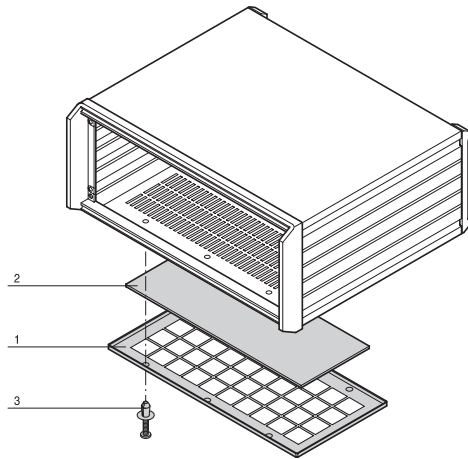
- Usable as of case depth T = 316 mm



For further information www.schroff.biz/oneClick
oneClick code = Order no.

Case - *propac* - Accessories

Air filter



PPA43774

- Subsequent assembly without reworking and tools
- Filter replacement without the need to open the case, type of protection remains

Delivery comprises

Item	Qty	Description
1	1	Filter holder, 1 mm aluminium, powder-coated, RAL 7030 dark grey
2	1	Filter, synthetic fibre
3	6 / 8	Fixing clip, PA, white, 8 pieces with 84 HP

Order Information

Width	Order no.
HP	
42	20850-215
63	20850-216
84	20850-217

Note

- Replacement filters available on request
- To optimise the air supply, tip-up feet must be fitted to the case. see page 3.59

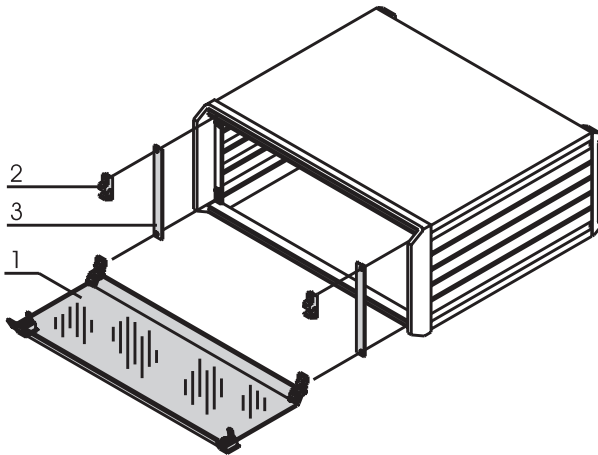


For further information www.schroff.biz/oneClick
oneClick code = Order no.



Case - propac - Accessories

Front hood 3 U



- Made of acrylic glass, can be folded and unhinged
- Hinge fitting top or bottom
- Lock (max. 2) can be retrofitted

Delivery comprises (kit)

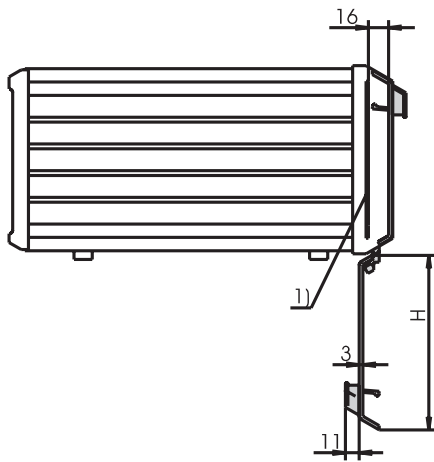
Item	Qty	Description
1	1	Hood, PMMA, blue-grey/tinted, acrylic glass 3 mm
1	2	Hinge + handle, PC, RAL 7030 dark grey
2	2	Lock mechanism, PC, RAL 7030 dark grey
3	2	Side panel, 2.2 mm aluminium profile, anodised
4	1	Assembly kit

Order Information

For case width	Order no.
HP	
28	20850-230
42	20850-231
63	20850-232
84	20850-233

Note


- Cannot be combined with design elements
- Other sizes available on request.
- Before fitting the hood, tip-up feet are to be attached to the case, see page 3.59



PPA45506

PPA45509

H = 3 U = 147.2 mm

 For further information www.schroff.biz/oneClick
oneClick code = Order no.


Lock for front hood

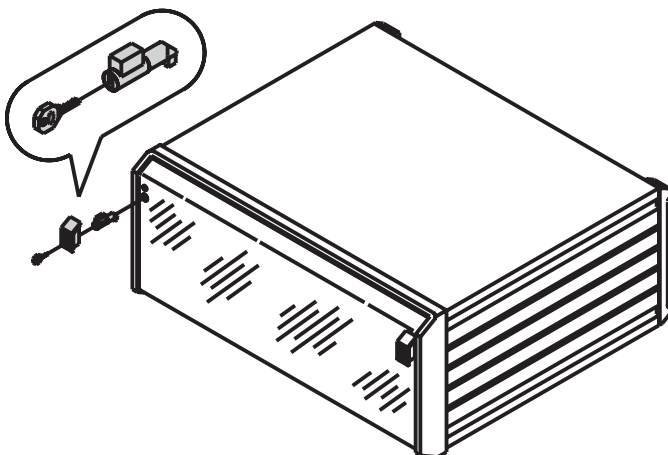
Delivery comprises (kit)

Item	Qty	Description
1	1	Locking cylinder
2	2	Key
3	1	Assembly kit

Order Information

Description	Order no.
Lock for front hood	60850-171

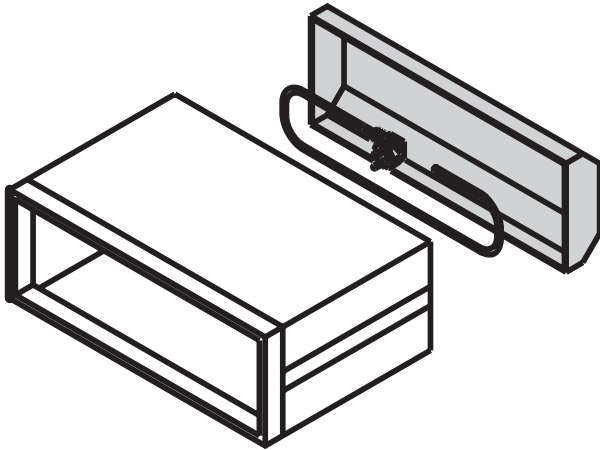
 For further information www.schroff.biz/oneClick
oneClick code = Order no.



PPA45507

Case - propac - Accessories

Rear hood



Delivery comprises (kit)

Item	Qty	Description
1	1	Hood, aluminium, RAL 7035 light grey, assembly with knurled screws
2	1	Assembly kit

Order Information

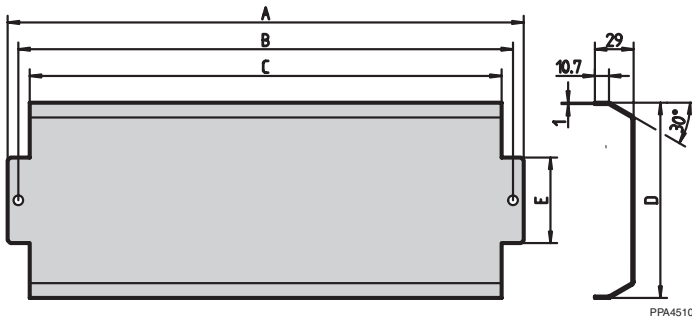
Height	Width	A	B	C	D	E	Order no.
U	HP	mm	mm	mm	mm	mm	
3	42	246	230	213	145.9	64	20850-395
3	63	352.7	336.7	319.7	145.9	64	20850-396
3	84	459.4	443.4	426.4	145.9	64	20850-397
4	63	352.7	336.7	319.7	190.4	108.5	20850-399
4	84	459.4	443.4	426.4	190.4	108.5	20850-400

Note

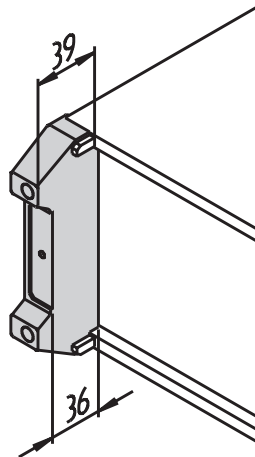
- When fitting the rear hood, the feet for the hood are to be attached. Please order separately



For further information www.schroff.biz/oneClick
oneClick code = Order no.



Foot for hood



Delivery comprises (kit)

Item	Qty	Description
1	2	Feet, PU foam, 75° shore, black; the clear mounting space (width) is not limited

Order Information

For case height	Order no.
U	
3	20850-393
4	20850-394



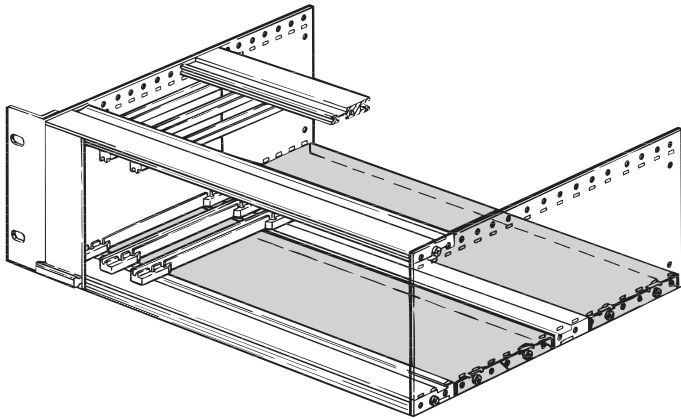
For further information www.schroff.biz/oneClick
oneClick code = Order no.

PPA45113



Cases - propac - Accessories

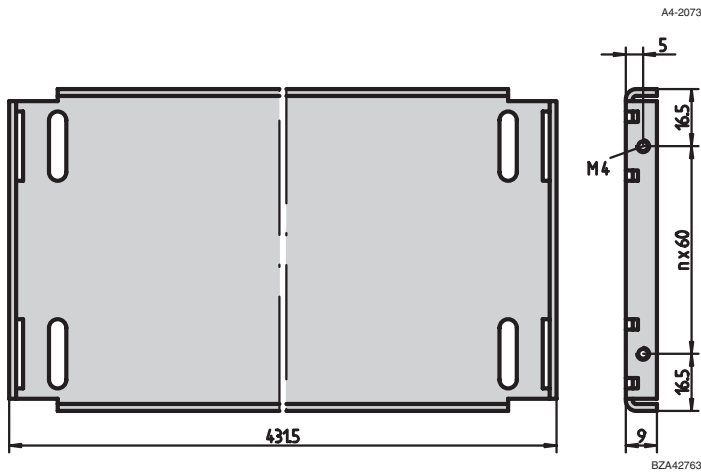
Chassis plate



- For assembly of heavy, non-standardised elements
- Assembly on grid holes of side panels, board expansion (not reinforced version) and chassis plate possible
- Unrestricted use of board retainers
- Material: Al 2 mm

Order Information

Width B	B	Board height	Depth	Order no.
HP	mm	mm	mm	
42	218	340	273	30821-614
63	324.7	160	93	30821-615
63	324.7	220	153	30821-616
63	324.7	340	273	30821-618
84	431.4	160	93	30821-619
84	431.4	220	153	30821-620
84	431.4	340	273	30821-622



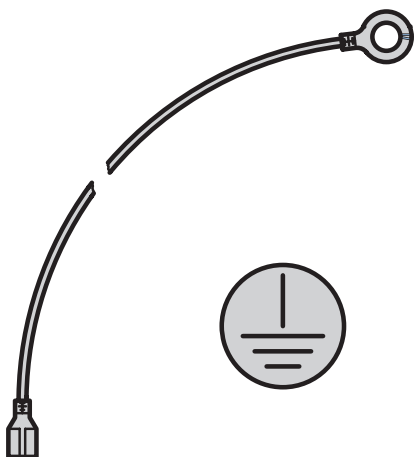
For further information www.schroff.biz/oneClick
oneClick code = Order no.

Assembly parts for chassis panels

Order Information

Type	Qty	Order no.
Flathead screw M4 × 6 pozidrive, shakeproof washer A 4.3	100	21100-952

Earthing kit



- The earth connections comply with:
 - EN 50178
 - EN 60950
 - EN 61010-1
 - EN 61010-1A2
- VDE inspection carried out

Order Information

Type	Qty	Order no.
GND/earthing kit, copper wire 1.5 mm ² , PVC sleeve, green/yellow, connects side panels, floor plate, cover plate and rear panel	1	21101-399



For further information www.schroff.biz/oneClick
oneClick code = Order no.

Case - *propac* - Accessories

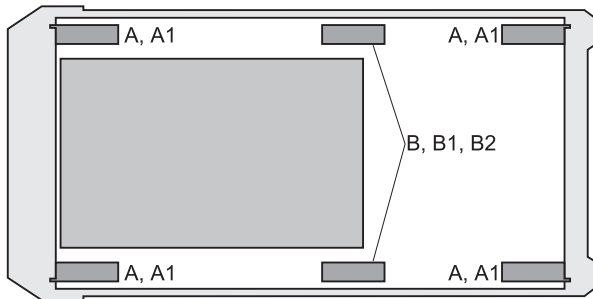
Mounting position horizontal

2 U



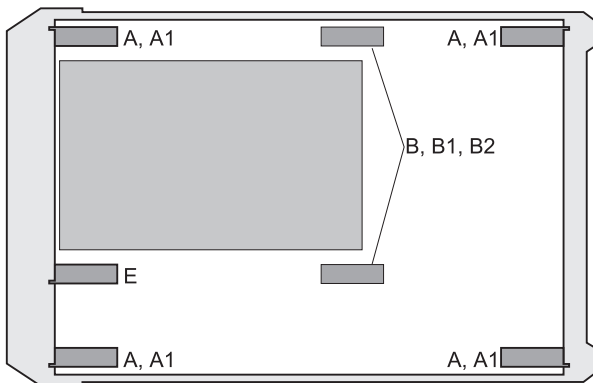
PPA46435

3 U



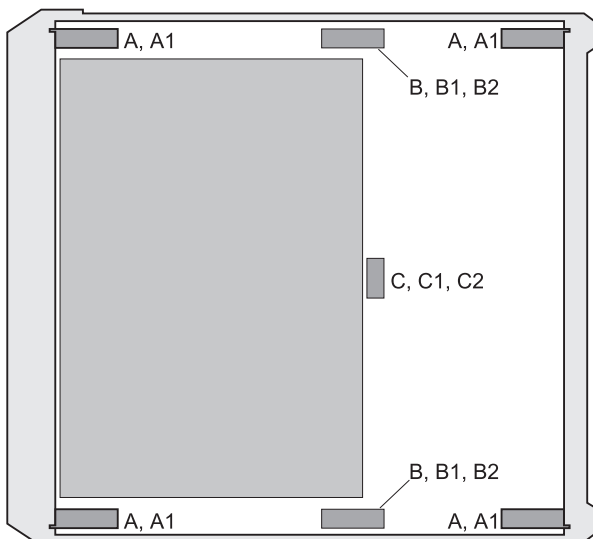
PPA46436

4 U (3+1)



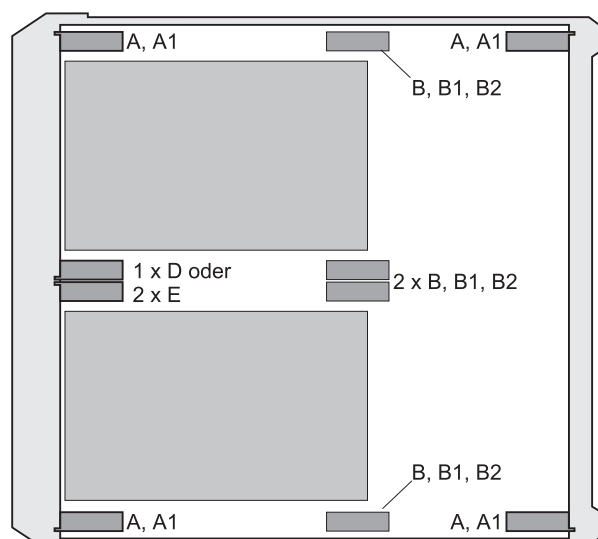
PPA46437

6 U



PPA46438

6 U (2 x 3)



PPA46439

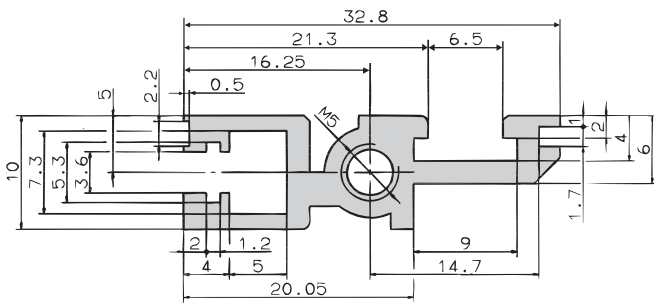


Case - propac/compac - Accessories

propac/compac accessories

- Horizontal rail, see page 3.44
- Cable holder, see page 3.47
- Z-rail, see page 3.48
- Perforated rail for connector, see page 3.48
- Thread/perforated strips, see page 3.49
- Insulation strips, see page 3.52
- GND/earthing of front panels, see page 3.53
- Board guide rail, see page 3.56
- Tip-up feet, see page 3.59

'A' horizontal rail front / rear



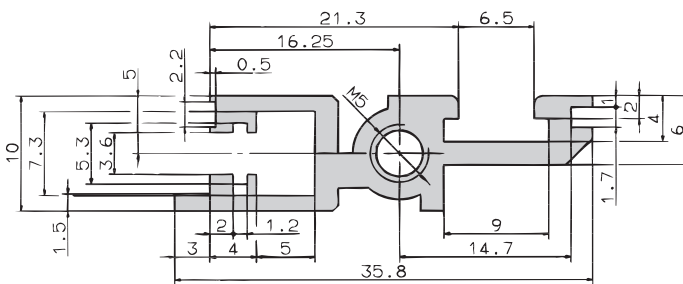
A3-762

- Version 84 HP, printed with HP details

Order Information

Usable length	Length	Aluminum extrusion	
		anodised	clear chromated
HP	mm	Order no.	Order no.
28	147.32	30818-059	30837-010
42	218.44	30818-073	30837-024
63	325.12	30818-094	30837-045
84	431.8	30818-115	30837-066

'E' front horizontal rail, with top lip

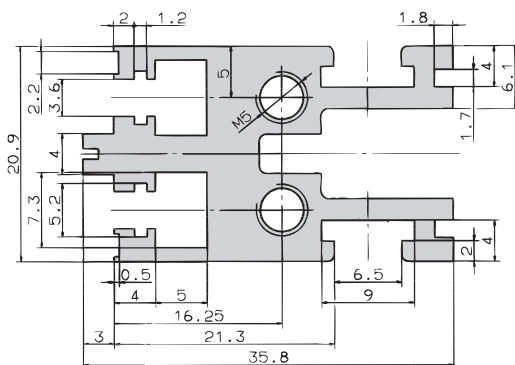


A3-761

Order Information

Usable length	Length	Aluminum extrusion	
		clear chromated	
HP	mm	Order no.	
42	218.44	30837-292	
63	325.12	30837-313	
84	431.8	30837-334	

'D' Double horizontal rail at top lip and notches



A3-760

Order Information

Usable length	Length	Aluminum extrusion	
		anodised	clear chromated
HP	mm	Order no.	Order no.
42	218.44	30825-637	30825-708
63	325.12	30825-658	30825-729
84	431.8	30825-679	30825-750

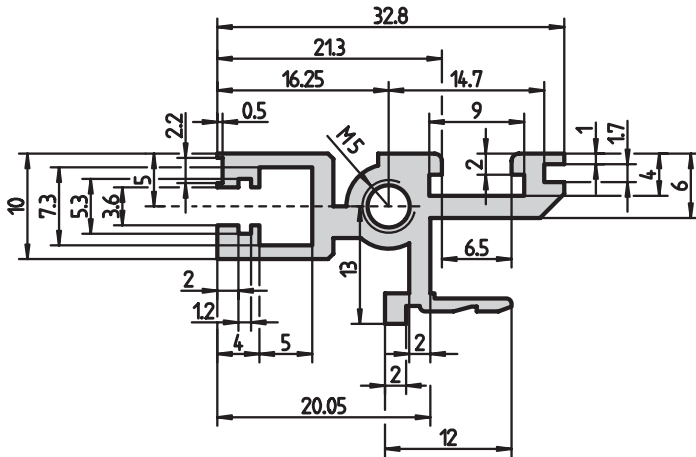


For further information www.schroff.biz/oneClick
oneClick code = Order no.



Case - propac/compac - Accessories

'A₁' - EMC horizontal rail at the front/rear



PPA43732

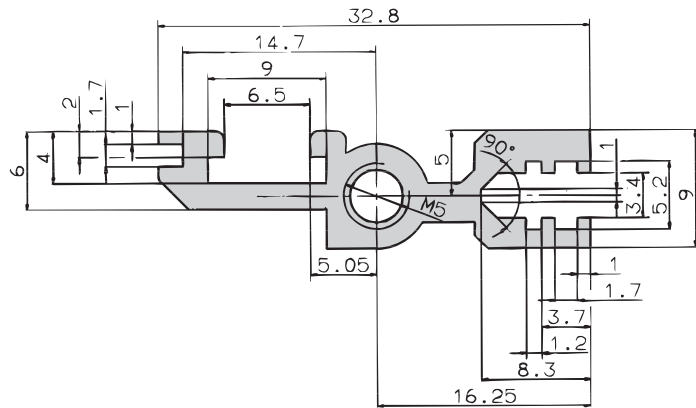
Delivery comprises (Kit)

Item	Qty	Description
1	1	EMC horizontal rail, aluminium profile, clear chromated
2	1	EMC contact strip, stainless steel, contacting to cover plate

Order Information

Usable length	Length	Order no.
HP	mm	
28	147.32	20850-264
42	218.44	20850-265
63	325.12	20850-266
84	431.8	20850-267

'B' - Rear horizontal rail



A3-774

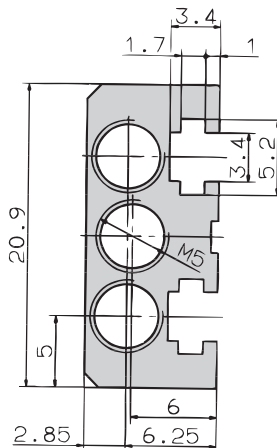
- For indirect mounting of backplanes
- An insulation strip is required

Order Information

Usable length	Length	Aluminium extrusion, clear chromated	
		anodised	clear chromated
HP	mm	Order no.	Order no.
28	147.3	30818-129	30837-420
42	218.5	30818-143	30837-434
63	325.1	30818-164	30837-455
84	431.8	30818-185	30837-476

- Order insulation strip separately, see page 3.52

'C' rail, rear



A4-2674

- For indirect mounting of backplanes
- An insulation strip is required

Order Information

Usable length	Length	Aluminium extrusion, clear chromated
		Order no.
HP	mm	
42	218.44	30837-158
63	325.12	30837-179
84	431.8	30837-200

- Order insulation strip separately, see page 3.52

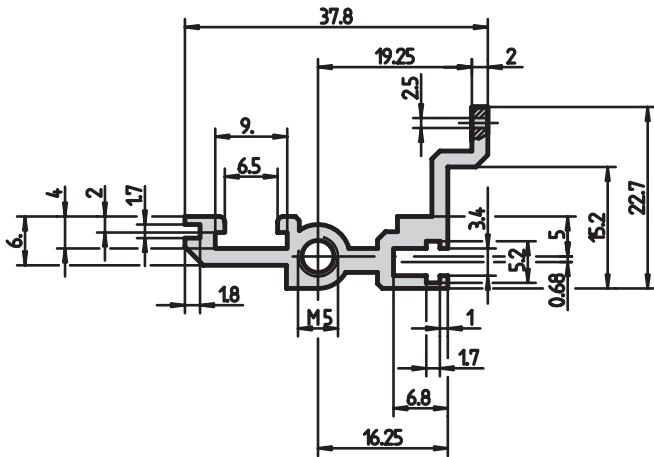


For further information www.schroff.biz/oneClick
oneClick code = Order no.



Case - propac/compac - Accessories

'B₂' rear horizontal rail, with Z



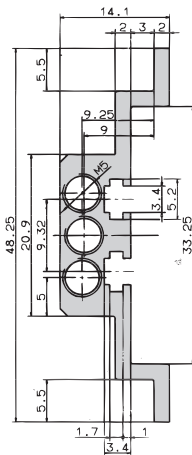
BZA42777

- For mounting female connectors complying with EN 60603-2
- Version 84 HP, printed with HP details

Order Information

Usable length	Length	Aluminium extrusion	
		anodised	clear chromated
HP	mm	Order no.	Order no.
28	147.32	30819-469	30837-077
42	218.44	30819-483	30837-091
63	325.12	30819-504	30837-112
84	431.8	30819-525	30837-133

'C₂' rear central rail



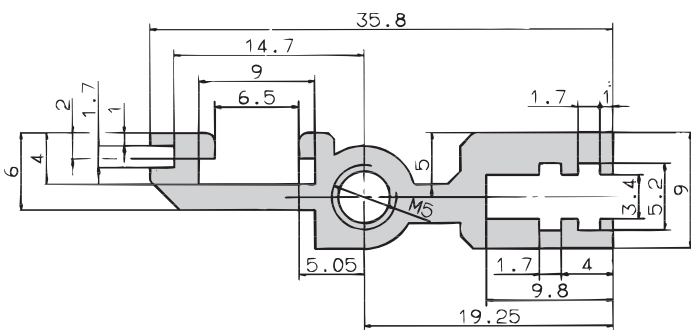
A3-769

- For directly mounting female connectors complying with EN 60603-2

Order Information

Usable length	Length	Aluminium extrusion, clear chromated	
		Order no.	
42	218.44	30837-225	
63	325.12	30837-246	
84	431.8	30837-267	

'B_{1,-}' Rear horizontal rail, with +3 mm



A3-764

- For direct mounting of backplanes
- An insulation strip is not required

Order Information

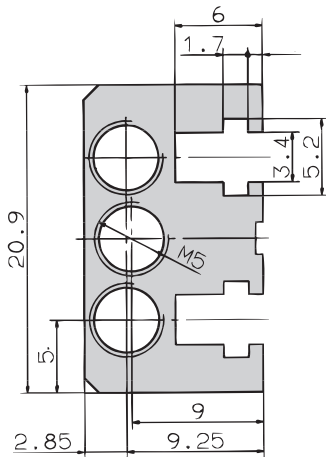
Usable length	Length	Aluminium extrusion	
		anodised	clear chromated
HP	mm	Order no.	Order no.
28	208.28	30818-766	30838-682
42	218.44	30818-780	30837-927
63	309.88	30818-801	30837-928
84	431.8	30818-822	30837-929



For further information www.schroff.biz/oneClick
oneClick code = Order no.

Case - propac/compac - Accessories

'C₁'- Rear horizontal rail, with +3 mm



A4-2676

- For direct mounting of backplanes
- An insulation strip is not required

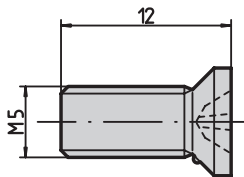
Order Information

Usable length	Length	Aluminium extrusion, clear chromated
HP	mm	Order no.
84	431.8	30837-915



For further information www.schroff.biz/oneClick
oneClick code = Order no.

Assembly for horizontal and central rails



PPA43791

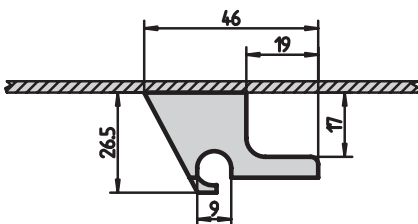
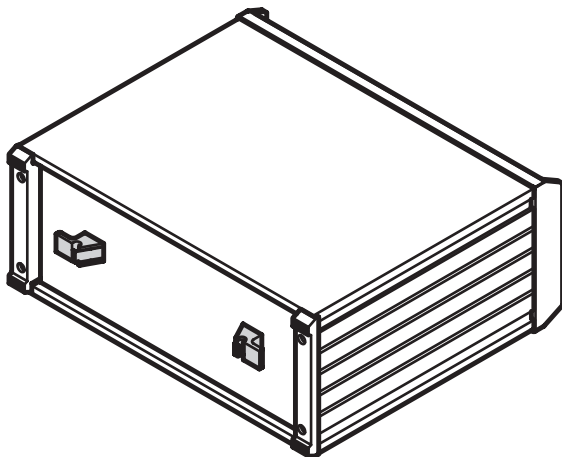
Order Information

Type	Qty	Order no.
Screw M 5 × 12, zinc-plated steel	100	21100-716



For further information www.schroff.biz/oneClick
oneClick code = Order no.

Cable holder



PPA45107

Delivery comprises (Kit)

Item	Qty	Description
1	2	Cable bracket, ABS, UL 94 V-0, dyed, RAL 7030 dark grey, latches for cables between 8 mm and 12 mm
2	1	Drilling template; for each bracket, two holes must be drilled in the rear panel
3	1	Assembly kit

Order Information

Description	Order no.
Cable holder	20850-401



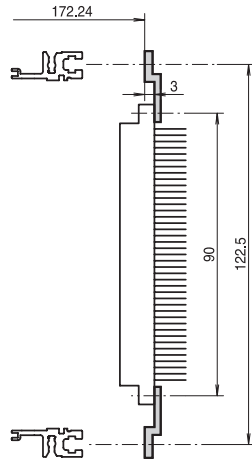
For further information www.schroff.biz/oneClick
oneClick code = Order no.

PPA45110



Case - propac/compac - Accessories

Z-rail for connectors



BZA45849

- Complying with EN 60603-2

Delivery comprises

Item	Qty	Description
1	1	Z-rail, aluminium profile, anodised

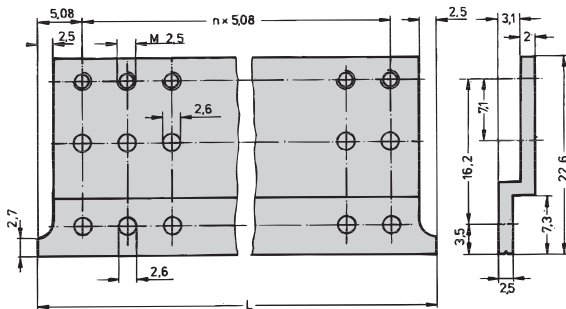
Order Information

Usable length HP	Length mm	Order no.
28	142.24	30822-033
40	203.2	30822-045
42	213.36	30822-047
60	304.8	30822-065
84	426.7	30822-089

- Standardised depth only in connection with rear horizontal rail with +3 mm, see page 3.46

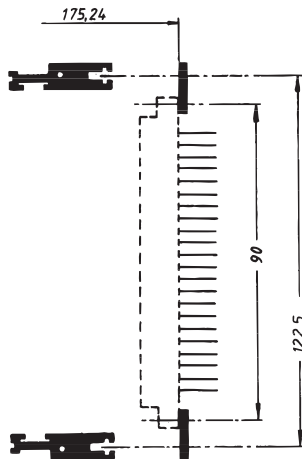


For further information www.schroff.biz/oneClick
oneClick code = Order no.



A3-420

Perforated rail for connectors



A3-143-2

- Complying with EN 60603-2

Delivery comprises

Item	Qty	Description
1	1	Perforated rail, aluminium, clear chromated

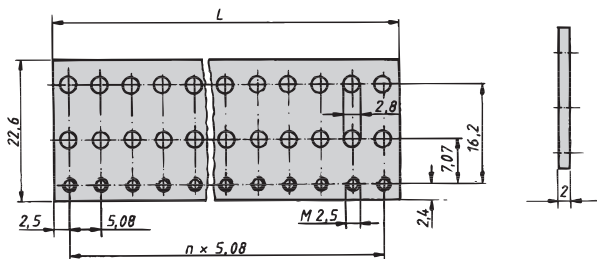
Order Information

Usable length HP	Length mm	Order no.
28	142.24	30497-006
40	203.2	30822-202
42	213.36	30822-203
60	304.8	30822-204
84	426.7	30822-206

- Standardised depth only in connection with rear horizontal rail with +3 mm, see page 3.46



For further information www.schroff.biz/oneClick
oneClick code = Order no.

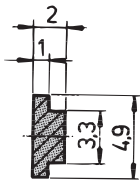
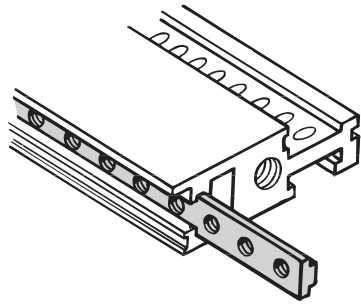


A3-455-1



Case - propac/compac - Accessories

Threaded insert



- Can be used for all horizontal rails

Delivery comprises

Item	Qty	Description
1	1	Threaded insert M 2.5, steel profile, zinc-plated

Order Information

Usable length HP	Length mm	Order no.
28	146.8	30819-650
42	217.9	30819-636
63	324.6	30819-615
84	431.3	30819-594

Note

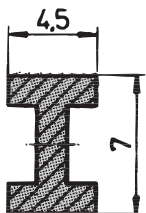
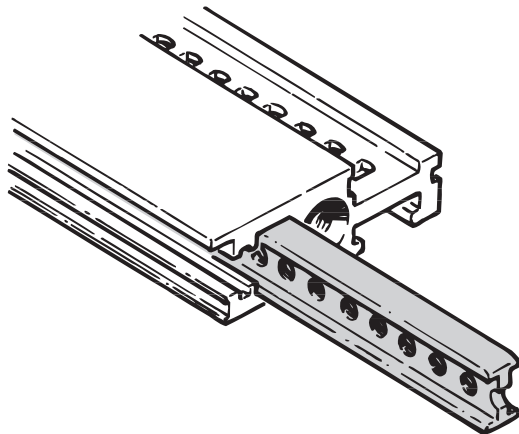
- Use 11.0 mm collar screws to mount front panels

KA-959



For further information www.schroff.biz/oneClick
oneClick code = Order no.

Threaded insert, double T



- Can only be used for front horizontal rails
- Extended mounting possibility for other assemblies

Delivery comprises

Item	Qty	Description
1	1	Threaded insert M 2.5, steel profile, zinc-plated

Order Information

Usable length HP	Length mm	Order no.
28	146.8	30829-035
42	217.9	30829-049
63	324.6	30829-070
84	431.3	30829-091

Note

- Use 12.3 mm collar screws to mount partial width front panels.

A4835



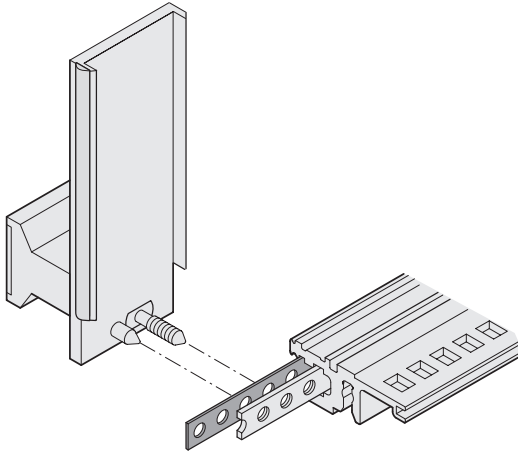
For further information www.schroff.biz/oneClick
oneClick code = Order no.

Thread spacing: 1 HP (5.08 mm)



Case - propac/compac - Accessories

Perforated strips



- For centring the shielded plug-in units

Delivery comprises

Item	Qty	Description
1	1	Perforated strip, aluminium, 1 mm

Order Information

Usable length HP	Length mm	Order no.
28	147.09	30845-197
42	218.44	30845-211
63	325.12	30845-232
84	431.8	30845-253

06102063

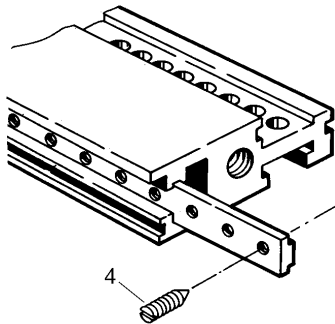
Note

- Only usable with double-T threaded insert



For further information www.schroff.biz/oneClick
oneClick code = Order no.

Grub screw



- To secure the threaded insert, required for conductive connections in the case of anodised horizontal rails

Order Information

Item	Type	Qty	Order no.
4	Grub screw, M2.5 × 8, zinc-plated	100	21100-276

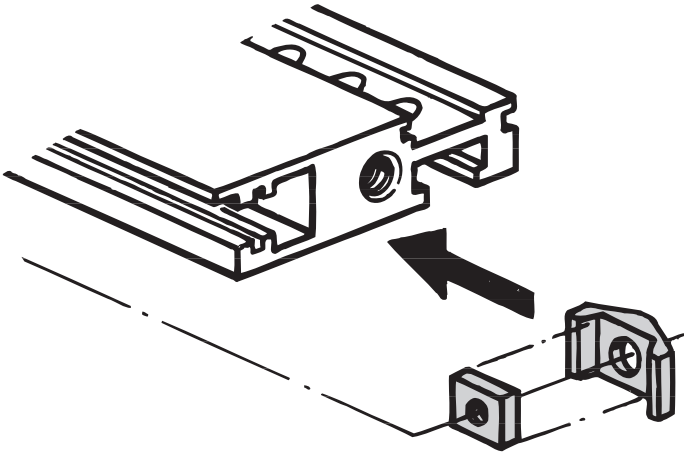


For further information www.schroff.biz/oneClick
oneClick code = Order no.

A4-1187

Case - propac/compac - Accessories

Slide nut for front horizontal rail



A4-559-1

- Alternative to threaded inserts
- Not for europacPRO and ratiopacPRO

Delivery comprises

Item	Qty	Description
1	1	Slides, PA
2	1	Square nut, nickel-plated steel

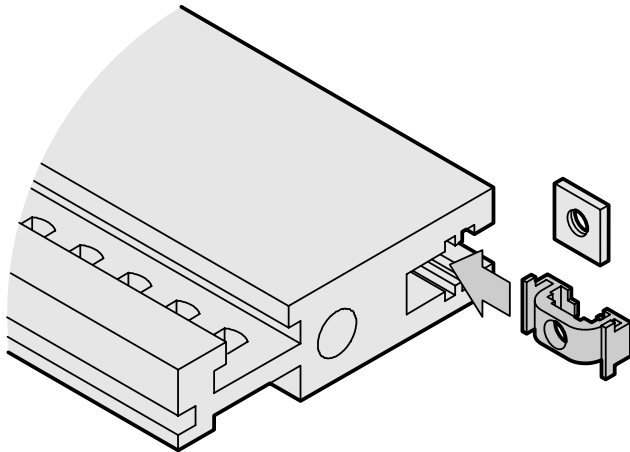
Order Information

Application	Description	Thread	Qty	Order no.
Front	SW7	M 2.5	100	21100-112
Front	SW7	M 3	100	21100-289



For further information www.schroff.biz/oneClick
oneClick code = Order no.

Slide nut for rear horizontal rail



05802056

- Alternative to threaded inserts
- Not for europacPRO and ratiopacPRO

Delivery comprises

Item	Qty	Description
1	1	Slides, PA
2	1	Square nut, nickel-plated steel

Order Information

Application	Description	Thread	Qty	Order no.
rear	SW5	M 2.5	100	21100-425

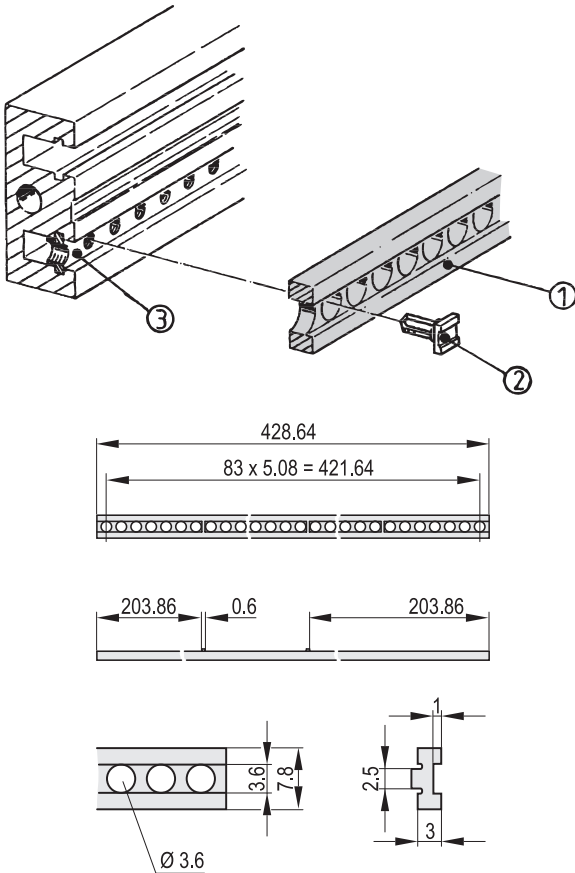


For further information www.schroff.biz/oneClick
oneClick code = Order no.



Case - propac/compac - Accessories

Insulation strip



A4-2690

B26749

- For insulated mounting of backplanes or mounting metal plates as holders for connectors
- Setting up standardised mounting depth for plug-in units in the subrack

Delivery comprises

Item	Qty	Description
1	1	Insulation strip, PBT UL 94 V-O, grey

Order Information

Usable length	Length	Order no.
HP	mm	
28	144.2	30835-110
42	210.4	60817-118
63	316.9	30894-444
84	428.6	60817-061

Clips for securing the insulation strip Item 2, PPO UL 94 V-O, 100 pieces	21100-824
---	------------------

Standard pack quantity = 50 pieces

Note

- Delivery is in standard pack multiples. Pricing is per individual item



For further information www.schroff.biz/oneClick
oneClick code = Order no.

Assembly part kit for Z- and perforated rails

Order Information

Description	Qty	Order no.
Pan head pozidrive c/sk screw M2.5 x 6, nickel-plated steel for central rails with central threaded hole	100	21101-219
Pan head pozidrive c/sk screw M2.5 x 5, nickel-plated steel for central rails with 2 or 3 threaded holes and Z- or perforated rail	100	21101-314

Note

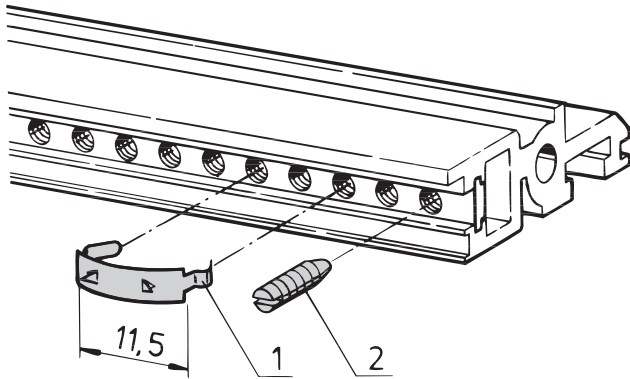
- Mounting is by means of threaded inserts or slide nuts
- Threaded inserts, see page 3.49
- Slide nuts, see page 3.51



For further information www.schroff.biz/oneClick
oneClick code = Order no.

Case - propac/compac - Accessories

Contact clip



A4-2388

- For horizontal rails with Threaded insert
- To establish conductive connection between front panels and standard threaded insert M 2.5
- For use with front panel widths of 6 HP and larger
- Contact resistance below 10 mΩ
- Can be retrofitted at any time

Order Information

Item	Description	Qty	Order no.
1	Contact clip, sprung steel, CK 75, zinc-plated	50	21101-235

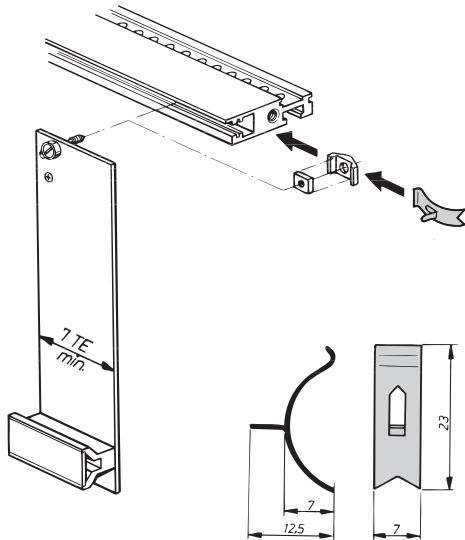
Note

- Grub screws are required in addition for the conductive connection between front panel and horizontal rail.



For further information www.schroff.biz/oneClick
oneClick code = Order no.

GND/earthing spring (ESD)



A4-559

- To establish conductive connection between front panels chromated at the rear and chromated horizontal rails
- This connection method can be used as an alternative to metal sleeves
- For use with front panel widths of 7 HP and larger

Order Information

Type	Qty	Order no.
GND/earthing spring, stainless steel	100	21100-658

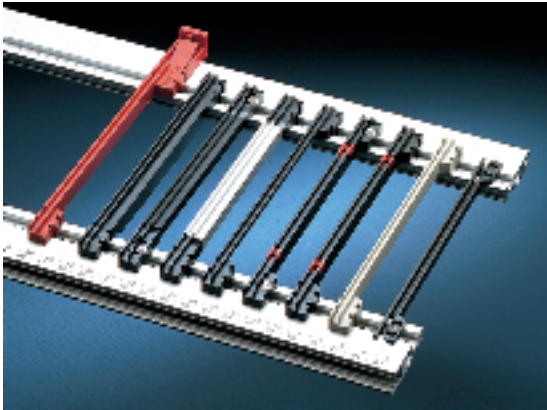


For further information www.schroff.biz/oneClick
oneClick code = Order no.



Case - propac/compac - Accessories

Guide rails

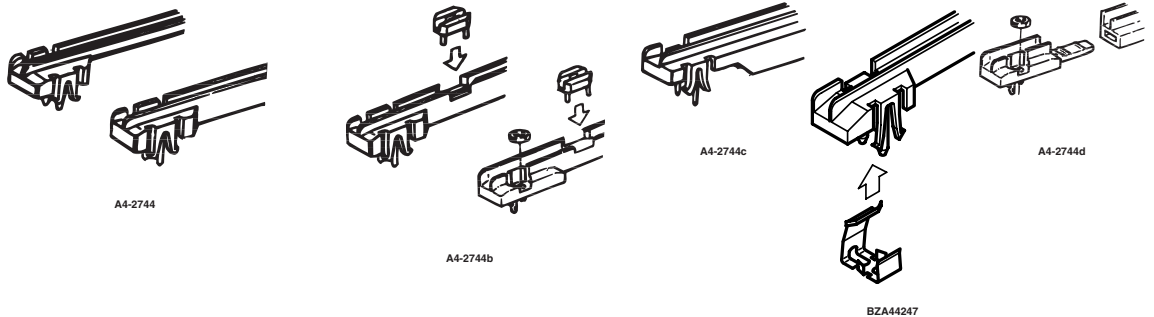


04292012

- Single guide rails
- Guide rails with integrated connector mounting complying with EN 60603 (DIN 41612)
- Guide rails for board height 4.4" (111.7 mm)
- Guide block with fixed board pitch (3 HP and 4 HP)
- Universal guide rails for individual board length

Single guide rails

Order Information



Board height	Groove width	Light version, snap in	Standard version, snap in	Version with board securing, snap in	Version with board securing, bolt-on	Version for high loading capability, snap in	Version with ESD clip	Universal version with aluminium middle section, bolt-on
mm	mm	Order no.	Order no.	Order no.	Order no.	Order no.	Order no.	Order no.
100	2	-	60817-015	-	-	-	-	-
160	2	60817-064	60817-103	60817-001	60817-053	60817-102	20817-368	-
160	2.5	-	60817-076	-	-	-	-	-
180	2	-	-	60817-026	-	-	-	-
220	2	-	60817-149	60817-016	60817-083	60817-085	20817-369	-
220	2.5	-	-	-	-	60817-098	-	-
280	2	-	-	-	-	60817-080	-	-
340	2	-	-	-	-	-	-	20825-120
400	2	-	-	-	-	-	-	20825-121

Note

- The required accessories and detailed description of the guide rails are given on the following pages.

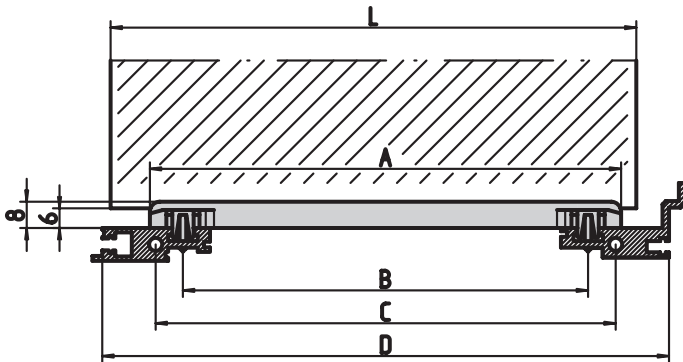


For further information www.schroff.biz/oneClick
oneClick code = Order no.

Case - propac/compac - Accessories

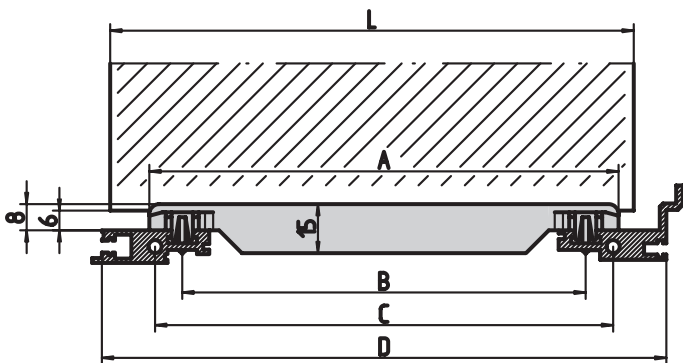
Guide rail dimensions

Board height L	Dimensions in mm			
	A	W	C	D
100	83.4	63.4	80	112.24
160	143.4	123.4	140	172.24
180	163.4	143.4	160	192.24
220	203.4	183.4	200	232.24
280	263.4	243.4	260	292.24
340	324.4	303.4	320	352.24
400	384.4	363.4	380	412.24



BZA42737

Guide rail (reinforced version)


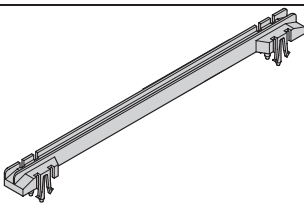
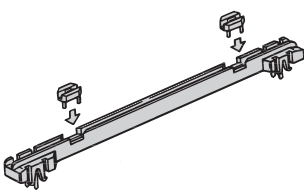
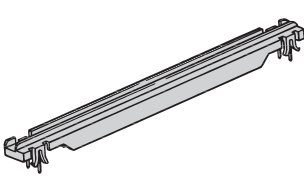
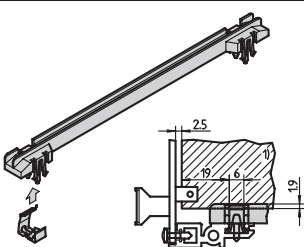


BZA42738

Case - propac/compac - Accessories

Single guide rails

Order Information

	Type	Board height mm	Groove width mm	Colour	Material	Order no.
 A4-173a	Light version, snap in	160	2	black	PPO UL 94 V-0	60817-064
 BZA42739	Standard version, snap in	100	2	black	PBT UL 94 V-0	60817-015
		160	2	grey	PBT UL 94 V-0	60817-103
		160	2.5	black	PPO UL 94 V-0	60817-076
		220	2	grey	PBT UL 94 V-0	60817-149
 A4-173c	Version with board securing, snap in	160	2	black	PPO UL 94 V-0	60817-001
		180	2	black	PPO UL 94 V-0	60817-026
		220	2	black	PPO UL 94 V-0	60817-016
 A4-173b	Version for high loading capability, snap in	160	2	black	PBT UL 94 V-0	60817-102
		220	2	black	PPO UL 94 V-0	60817-085
		220	2.5	black	PPO UL 94 V-0	60817-098
		280	2	black	PPO UL 94 V-0	60817-080
 BZA44248	Version with ESD clip – for conducting static charges while board is being pushed in – Low-ohmic and low-inductive GND/earth connection during operation – Horizontal rails with conductive surfaces must be used – Contact at edge of board, see graphic	160	2	grey	PPO UL 94 V-0	20817-368
		220	2	grey	PPO UL 94 V-0	20817-369

Note

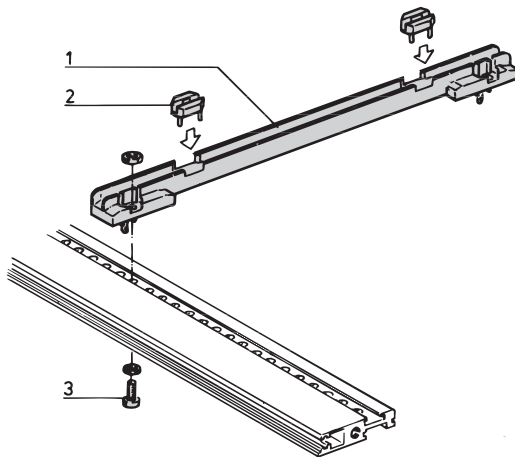
- The required accessories and detailed description of the guide rails are given on the following pages.



For further information www.schroff.biz/oneClick
oneClick code = Order no.

Case - propac/compac - Accessories

Guide rail to screw on



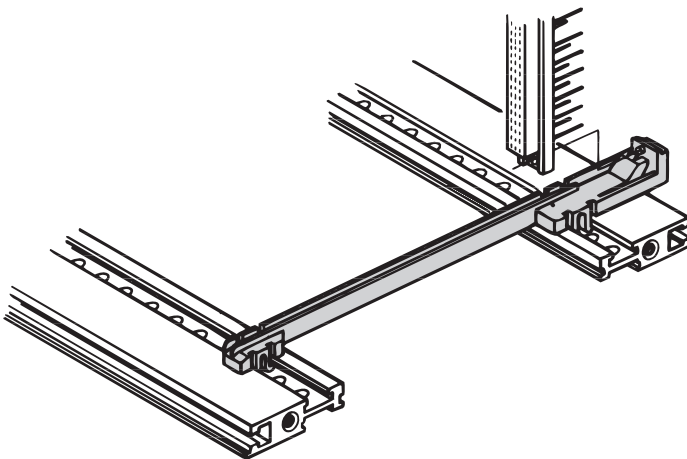
A4_2741

- Anti-vibration clips for increased fixing of plug-in units
- Groove width 2 mm

Order Information

Item	Board height mm	Material	Colour	Order no.
1	160	PPO UL 94 V-0	black	60817-053
1	220	PPO UL 94 V-0	red	60817-083
Anti-vibration clip PPO UL 94 V-O, red, 10 pieces (item 2)				21100-553
Anti-vibration clip PPO UL 94 V-O, red, 100 pieces (item 2)				21100-554
Mounting parts for 50 guide rails (screw, washer, nut), (item 3)				21100-158

Guide rail with integrated connector mounting according to EN 60603



A4_588

- As replacement for Z-rails or horizontal rails with Z
- For single euroboard format 100 × 160 mm or 100 × 220 mm; not suitable for double euroboard format
- Simple female connector assembly with latches
- Delivery in pairs as the top/bottom versions are handed
- Groove width 2 mm

Order Information

Board height mm	Material	Colour	Order no.
160	PBT UL 94 V-0	red	60817-078
220	PBT UL 94 V-0	red	60817-079

Guide block for 84 HP

- Groove width 2 mm

Order Information

Slot spacing HP	Number of slots	Board height mm	Material	Colour	Order no.
3	28	160	PPO UL 94 V-0	grey	60817-057
4	21	160	PPO UL 94 V-0	grey	60817-043
4	21	220	PPO UL 94 V-0	grey	60817-105

Differing number of pin positions available on request



For further information www.schroff.biz/oneClick
oneClick code = Order no.

A4_175



Case - propac/compac - Accessories

Universal guide rail

- 1 pair end pieces and 1 rail piece
- Pair of end feet for snapping in or bolting onto the horizontal rail

Order Information

Item	Type	Groove width mm	Qty	Order no.
1	End foot, PPO UL 94 V-0, black	2	2	60817-139
1	End foot, PPO UL 94 V-0, black	2.5	2	60817-140
1	End foot to screw on, PPO UL 94 V-0, black	2	2	60817-091
2	Profile, length 1000 mm, PPO UL 94 V-0, aluminium profile, anodised	2	1	60817-193
2	Profile, prepared for board depth 160 mm, length 92.4 mm, aluminium profile, anodised	2	1	30825-608
2	Profile, prepared for board depth 220 mm, length 152.4 mm, aluminium profile, anodised	2	1	30825-607
2	Profile, length 1 m, anodised aluminium profile	2	1	30817-446
Mounting parts for 50 guide rails (screw, washer, nut), (item 3)				21100-158

Universal guide rail, screw-on

- Completely assembled for board height 340 mm and 400 mm to screw on

Delivery comprises (assembled)

Item	Qty	Description
1	2	End foot, PPO, UL 94 V-0, black, groove width 2 mm
2	1	Aluminium profile, anodised, groove width 2 mm

Order Information

Length mm	Order no.
340	20825-120
400	20825-121
Mounting parts for 50 guide rails (screw, washer, nut), (item 3)	
	21100-158

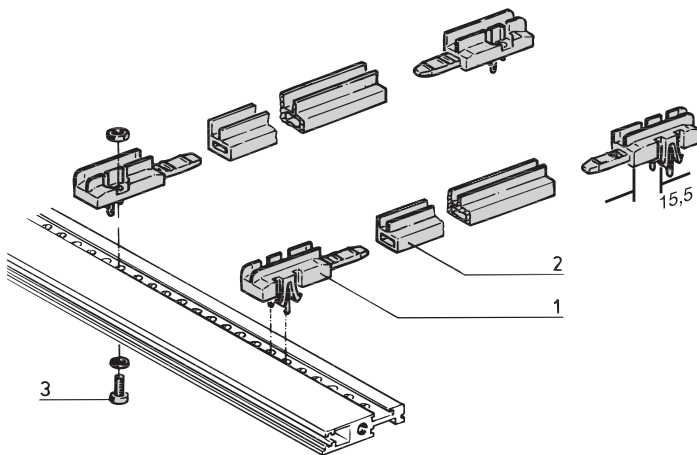
Guide rail for board height 4.4" (111.7 mm)

Order Information

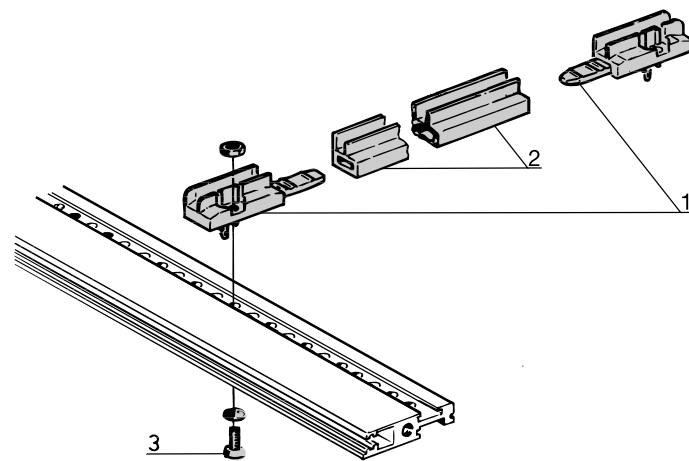
Type	Qty	Order no.
Guide rail, for engaging in catches, board length 160 mm, groove width 2 mm, PPO UL 94 V-0, black	1	60817-038



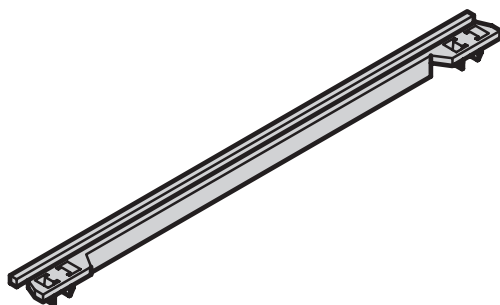
For further information www.schroff.biz/oneClick
oneClick code = Order no.



A4-810



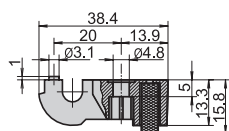
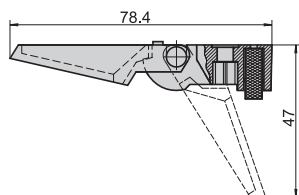
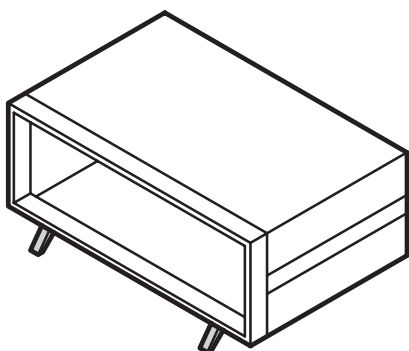
01802082



BZA45055

Case - propac/compac - Accessories

Tip-up feet made of plastic



AZA45132

AZA43835

- Can be used instead of the standard round feet
- Mounting holes available in bottom of case
- Secure case stance with slip-proof rubber inserts
- Load-carrying capacity: 25 kg per foot, max. case weight: 40 kg

Order Information

Type	Qty	grey Order no.	black Order no.
Foot with tip-up, PA, UL 94 HB	1	10603-023	10603-025
Foot without tip-up, PA, UL 94 HB	1	10603-024	10603-026
Pozidrive flathead screw M4 × 10, zinc-plated steel, 100 pieces			21100-513
Hexagon nut M4, zinc-plated steel, 100 pieces			21100-211
Washer A4, St, zinc-plated, 100 pieces			21100-207

Standard pack quantity foot with tip-up = 10 pieces

Standard pack quantity foot without tip-up = 20 pieces

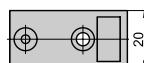
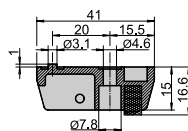
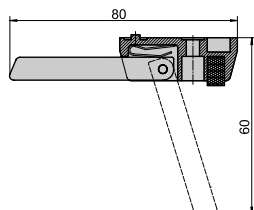
Note

- Delivery is in standard pack multiples. Pricing is per individual item



For further information www.schroff.biz/oneClick
oneClick code = Order no.

Tip-up foot made of diecast aluminium



AZA43836

- Can be used instead of the standard round feet
- Mounting holes available in bottom of case
- Secure case stance with slip-proof rubber inserts
- Load-carrying capacity: 50 kg per foot, max. case weight: 40 kg

Order Information

Type	Qty	Order no.
Foot with tip-up, diecast aluminium	1	10603-002
Foot without tip-up, diecast aluminium	1	10603-001
Cylinder head screw with slot M4 × 12, zinc-plated steel, 100 pieces		21101-211
Hexagon nut M4, zinc-plated steel, 100 pieces		21100-211
Washer A4, St, zinc-plated, 100 pieces		21100-207

Standard pack quantity foot = 10 pieces

Note

- Delivery is in standard pack multiples. Pricing is per individual item



For further information www.schroff.biz/oneClick
oneClick code = Order no.



Overview 0

Cabinets 1

Climate Control 2

Cases 3

Subracks/
19" chassis 4

Modules 5

Systems 6

Power supply
units 7

Backplanes 8

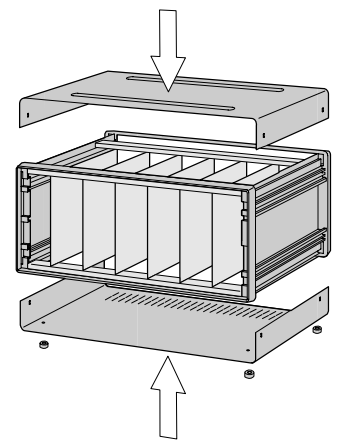
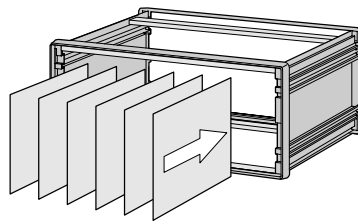
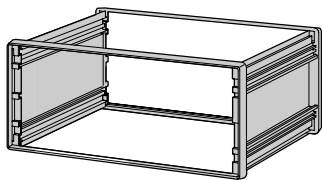
Accessories 9

Appendix 10

Cases - *compact*



02092001



02003050

Easy to assemble

Standards

- Inside dimensions according to IEC 60297-3
- Protection to IP 20 according to IEC 60529
- GND/earthing according to
EN 50178
EN 60950
EN 61010-1
EN 61010-1A2

Modifications

- Special finishing
- Special depths
- Cutouts in top cover, bottom cover and rear panel
- Silk screening of front panel and rear panels
- Customized assembly service



Further important information can be found on the internet under www.schroff.biz



Desktop case or portable case

- For mounting boards and modules
- Protection to IP 20
- High stability, for portable applications
- Identical front and rear



02092023

Desktop case



02092003

Portable version

compac accessories

Cases

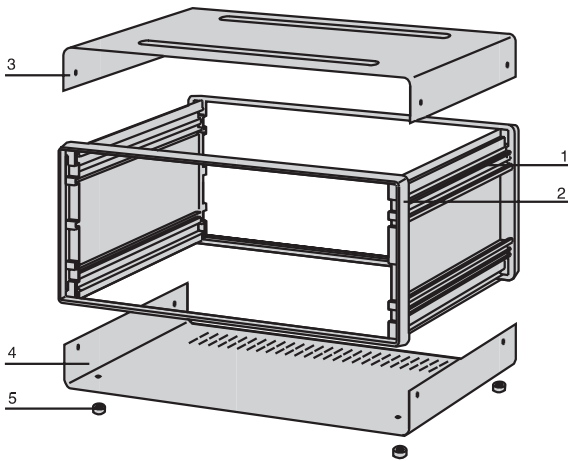
2, 3, 4 U	3.62
6 U	3.63
Dimensions	3.64

compac accessories

General accessories	3.65
Front panel / rear panel	3.66
Filler angle	3.67
Rear panel foot	3.67
Tip-up protector	3.68
Earthing kit	3.68
Hood	3.69
Foot made of plastic	3.69
Cable bracket	3.69
Tip-up carrying handle	3.70
Front door (acrylic glass) hinged	3.71
Subrack conversion kit 3 U	3.72
Tip-up foot 1 made of plastic	3.73
Tip-up foot made of diecast aluminium ...	3.73

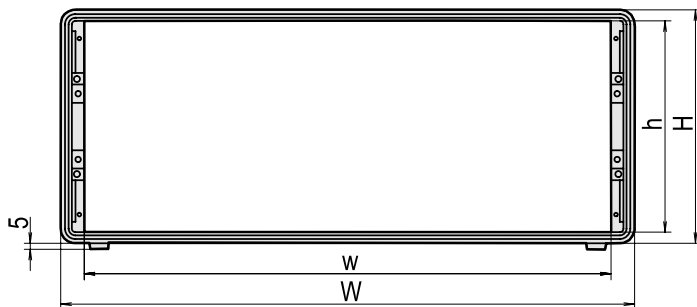
Case - compact

Case 2, 3 and 4 U



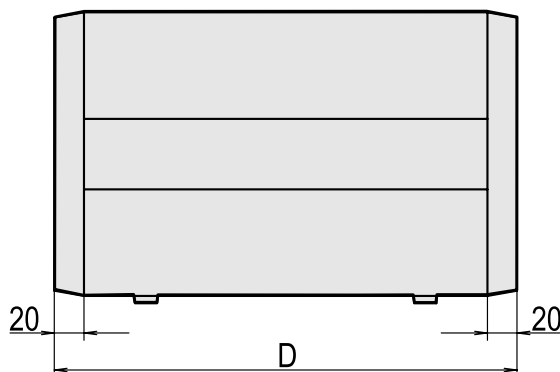
CPTP0003

Front view



CPA42309

Side view



CPA30653

Dimension drawing, see "Dimensions"

Delivery comprises (in kit form, items 1 and 2 assembled)

Item	Qty	Description
1	2	Side panel, aluminium extrusion, RAL 7030 dark grey
2	2	Frame, diecast aluminium, RAL 7030 dark grey
3	1	Cover, 1.5 mm aluminium, RAL 7035 light grey, with GND/earthing connection
4	1	Base with perforation, 1.5 mm aluminium, RAL 7035 light grey, with GND/earthing connection
5	4	Foot with anti-slip protection, PC, UL 94 V-0, black
6	1	Assembly kit ¹⁾

¹⁾ The assembly kit also enables assembly of a full-width front panel and a rear panel.

Order Information

Height U	Usable width HP	Width W mm	Width w mm	Height H mm	Height h mm	Depth D mm	Order No.
2	42	257	219	102.6	84.4	263	10823-398
2	42	257	219	102.6	84.4	313	10823-399
2	42	257	219	102.6	84.4	363	10823-400
2	84	471	432	102.6	84.4	263	10823-404
2	84	471	432	102.6	84.4	313	10823-405
2	84	471	432	102.6	84.4	363	10823-406
3	28	186	148	147.1	129.3	263	10823-410
3	28	186	148	147.1	129.3	313	10823-411
3	42	257	219	147.1	129.3	263	10823-416
3	42	257	219	147.1	129.3	313	10823-417
3	42	257	219	147.1	129.3	363	10823-418
3	63	364	326	147.1	129.3	263	10823-422
3	63	364	326	147.1	129.3	313	10823-423
3	63	364	326	147.1	129.3	363	10823-424
3	84	471	432	147.1	129.3	263	10823-428
3	84	471	432	147.1	129.3	313	10823-429
3	84	471	432	147.1	129.3	363	10823-430
3	84	471	432	147.1	129.3	413	10823-431
3	84	471	432	147.1	129.3	463	10823-432
4	42	257	219	191.6	173.8	263	10823-434
4	42	257	219	191.6	173.8	313	10823-435
4	63	364	326	191.6	173.8	263	10823-440
4	63	364	326	191.6	173.8	313	10823-441
4	63	364	326	191.6	173.8	363	10823-442
4	84	471	432	191.6	173.8	313	10823-447
4	84	471	432	191.6	173.8	363	10823-448
4	84	471	432	191.6	173.8	413	10823-449
4	84	471	432	191.6	173.8	513	10823-451

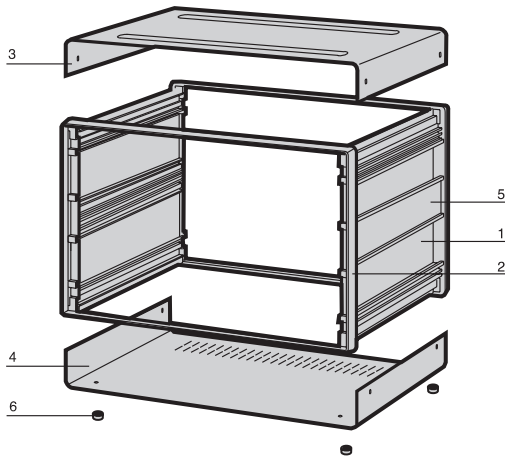


For further information www.schroff.biz/oneClick
oneClick code = Order no.



Case - compact

Case 6 U



Delivery comprises (in kit form, items 1, 2 and 5 assembled)

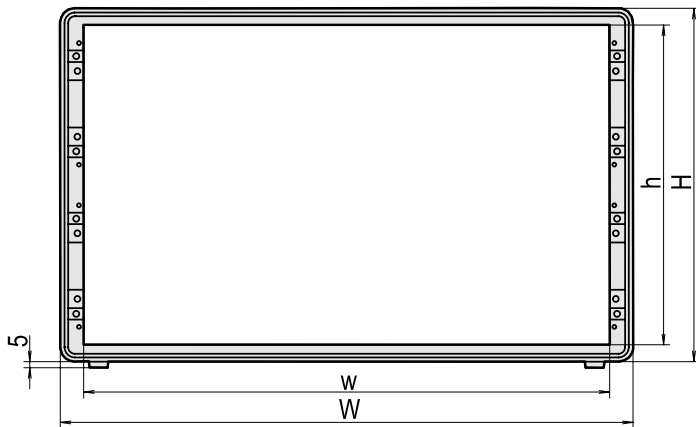
Item	Qty	Description
1	4	Side panel, aluminium extrusion, RAL 7030 dark grey, 2 x 3 U
2	2	Frame, diecast aluminium, RAL 7030 dark grey
3	1	Cover, 1.5 mm aluminium, RAL 7035 light grey, with GND/earthing connection
4	1	Base with perforation, 1.5 mm aluminium, RAL 7035 light grey, with GND/earthing connection
5	2	Side trim, 1.5 mm aluminium, RAL 7035 light grey
6	4	Case foot with anti-slip protection, PC, UL 94 V-0, black
7	1	Assembly kit ¹⁾

¹⁾ The assembly kit also enables assembly of a full-width front panel.

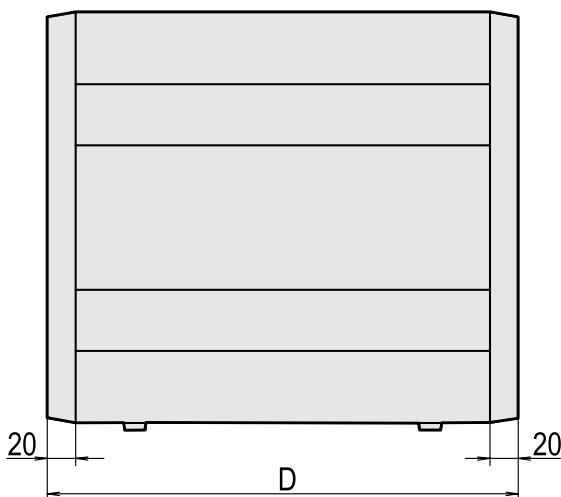
Order Information

Usable width	Width W	Width w	Height H	Height h	Depth D	Order No.
63	364	326	280.5	262.9	313	10823-453
63	364	326	280.5	262.9	363	10823-454
84	471	432	280.5	262.9	263	10823-458
84	471	432	280.5	262.9	313	10823-459
84	471	432	280.5	262.9	363	10823-460
84	471	432	280.5	262.9	413	10823-461
84	471	432	280.5	262.9	463	10823-462
84	471	432	280.5	262.9	513	10823-463

Front view



Side view



Dimension drawing, see "Dimensions"



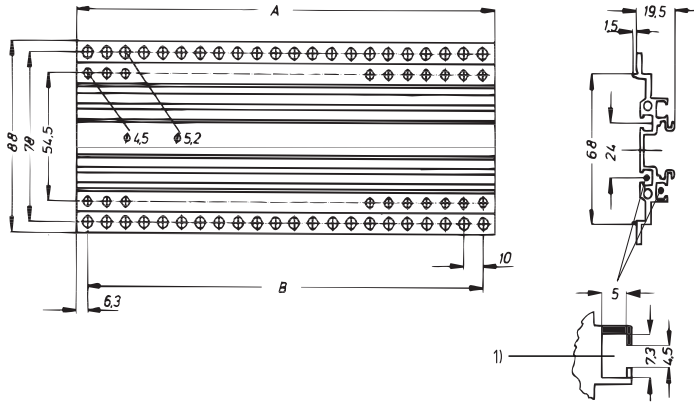
For further information www.schroff.biz/oneClick
oneClick code = Order no.



Case - compac

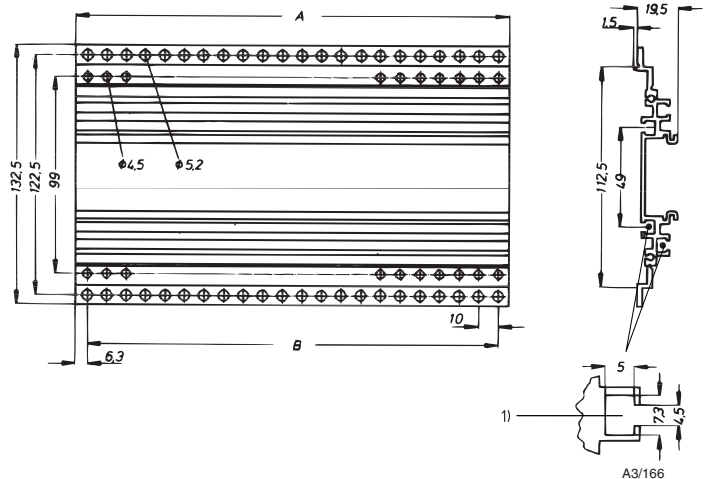
Dimensions

Extruded side plate 2 U



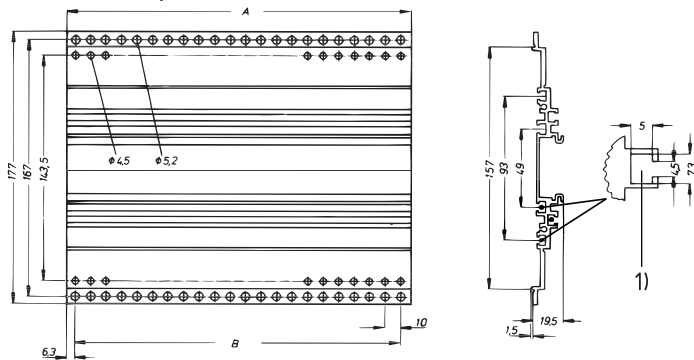
A3/165

Extruded side plate 3 U



A3/166

Extruded side plate 4 U



A2/96

1) suitable for square nuts M4 with slide

Table of Dimensions

For case depth	Mounting depth max.	Dimensions	
mm	mm	A in mm	B in mm
262	242.5	222.6	21 × 10 = 210
312	292.5	272.6	26 × 10 = 260
362	342.5	322.6	31 × 10 = 310
412	392.5	372.6	36 × 10 = 360
462	442.5	422.6	41 × 10 = 410
512	492.5	472.6	46 × 10 = 460

Note

A side panel for the case 6 U consists of 2 pieces of 3 extruded side panels

Square nut M4 with slide

Order Information

Description	Qty	Order No.
Square nut M4 with slide	20	21100-083



For further information www.schroff.biz/oneClick
oneClick code = Order no.

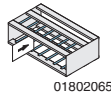


Case - *compac* - Accessories

Accessories

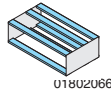
- Front panels, see page 3.66
- Rear panels, see page 3.66
- Filler angle, see page 3.67
- Rear panel feet, see page 3.67
- Tip-up protector, see page 3.67
- GND/earthing kit, see page 3.68
- Hood, see page 3.69
- Cable bracket, see page 3.69
- Tip-up carrying handle, see page 3.70
- Front door (acrylic), see page 3.71
- Subrack conversion kit 3 U, see page 3.72
- Tip-up feet, see page 3.73

General Accessories



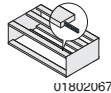
01802065

- **Guide rails**, see chapter "propac accessories", page 3.54



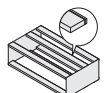
01802066

- **Horizontal rails**, see chapter "propac accessories", page 3.44



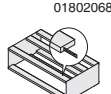
01802067

- **Threaded inserts**, see chapter "propac accessories", page 3.49



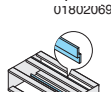
01802068

- **Insulation strips**, see chapter "propac accessories", page 3.49



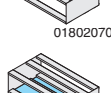
01802069

- **Perforated strips**, see chapter "propac accessories", page 3.52



01802070

- **Z-rail**, see chapter "propac accessories", page 3.50



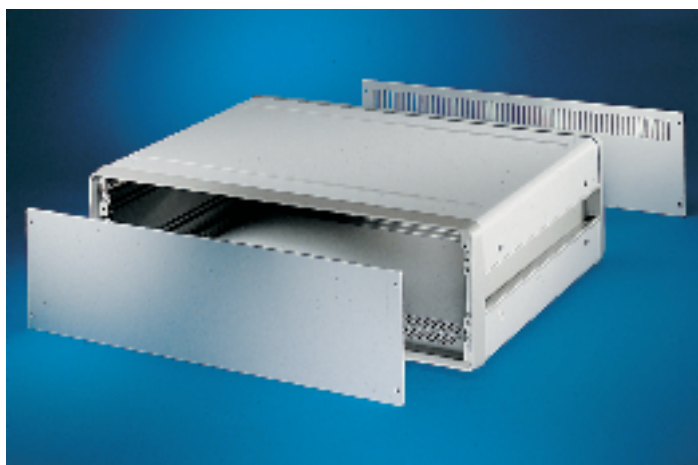
01802071

- **Chassis plate**, see chapter "propac accessories", page 3.48

- **Assembly parts**, see chapter "Assemblies - assembly parts", page 5.92

Case - *compac* - Accessories

Front panel / rear panel

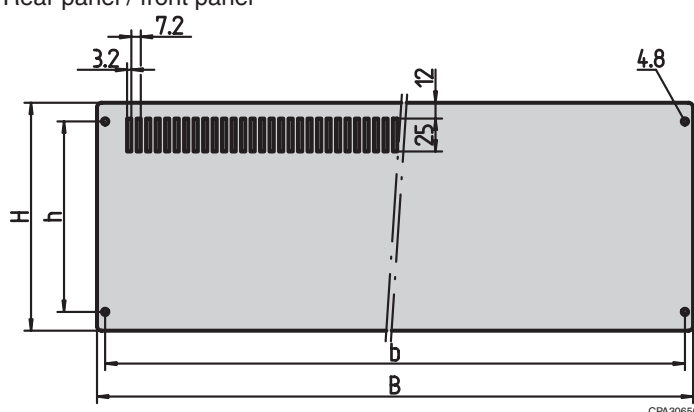


- The front panels and rear panels are bolted to the front or rear frame of the case

Delivery comprises (kit)

Item	Qty	Description
1	1	Rear panel with perforation, anodised aluminium, cut edges plain, 28, 42, 63 HP = 2 mm thick; 84 HP = 2.5 mm thick
2	1	Front panel, anodised aluminium, cut edges plain, 3 mm thick

Rear panel / front panel



Order Information

Height U	Width HP	Height H mm	Height h mm	Width B mm	Width b mm	Rear panel Order No.	Front panel Order No.
2	42	84	66	238.7	226.3	30823-015	30823-209
2	84	84	66	452.1	439.7	30823-512	30823-215
3	28	128.4	100	167.5	155.1	30823-021	30823-254
3	42	128.4	100	238.7	226.3	30823-024	30823-257
3	63	128.4	100	345.4	333.1	30823-027	30823-224
3	84	128.4	100	452.1	439.7	30823-515	30823-260
4	42	172.9	144.5	238.7	226.3	30823-033	30823-269
4	63	172.9	144.5	345.4	333.1	30823-036	30823-227
4	84	172.9	144.5	452.1	439.7	30823-518	30823-272
6	63	261.8	233.4	345.4	333.1	30823-045	30823-230
6	84	261.8	233.4	452.1	439.7	30823-521	30823-284

Note

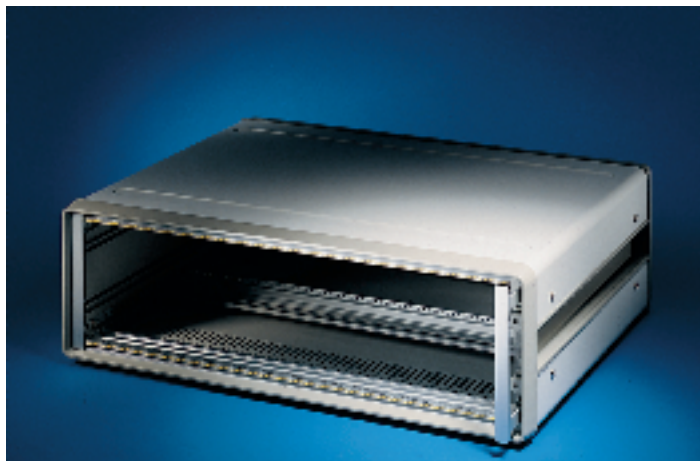
- Delivery of case comprises assembly kit for assembly, 1 rear panel and 1 front panel



For further information www.schroff.biz/oneClick
oneClick code = Order no.

Case - *compac* - Accessories

Filler angle



02092017

- To cover the frame fixing points and make the aperture align with standard front panels

Delivery comprises (kit)

Item	Qty	Description
1	2	Filler angle, anodised aluminium extrusion

Order Information

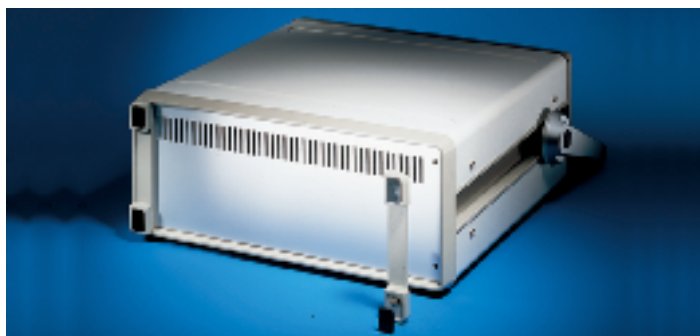
Height U	Description	Order No.
2	Filler angle without notches	20823-019
3	Filler angle without notches	20823-020
4	Filler angle without notches	20823-021
6	Filler angle without notches	20823-022
6	Filler angle with notches for centre, front horizontal rail with lip	20823-115

Assembly parts for 4 filler angles with case height 2, 3, 4 U, for 2 filler angles with case height 6 U **21101-213**



For further information www.schroff.biz/oneClick
oneClick code = Order no.

Rear panel foot



02092019

Delivery comprises (kit)

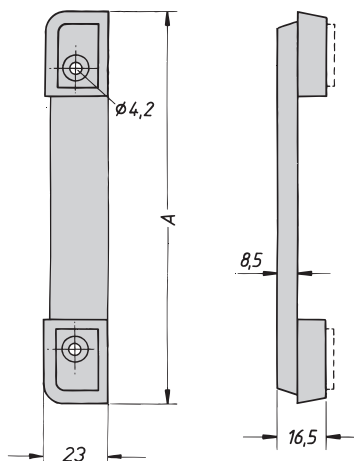
Item	Qty	Description
1	2	Feet with rubber inserts, PC, UL 94 V-0, RAL 7030 dark grey
2	1	Assembly kit

Order Information

For case height U	A mm	Order No.
3	139	20823-670
4	183.5	20823-671



For further information www.schroff.biz/oneClick
oneClick code = Order no.

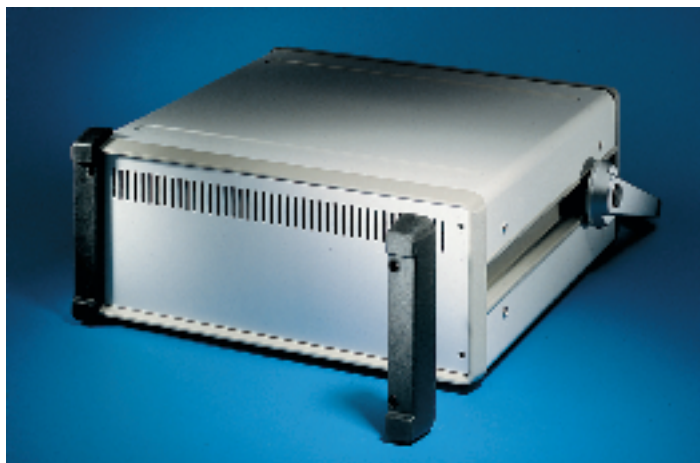


A4515



Case - *compac* - Accessories

Tip-up protector



02092018

Delivery comprises (kit)

Item	Qty	Description
1	2	Tip-up protector, PU foam, black
2	1	Assembly kit

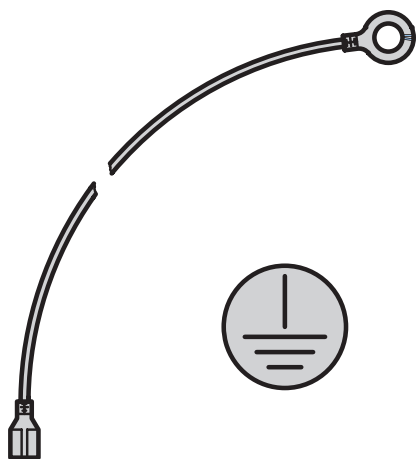
Order Information

For case height	Order No.
U	
3	20823-675



For further information www.schroff.biz/oneClick
oneClick code = Order no.

Earthing kit



AZA43284

- The protective earth connections comply with:
EN 50178
EN 60950
EN 61010-1
EN 61010-1A2

Order Information

Description	Qty	Order No.
GND/earthing kit, Cu wire 1.5 mm ² , PVC sleeve, green/yellow, connects side panels, base plate, cover plate and rear panel	1	21100-815



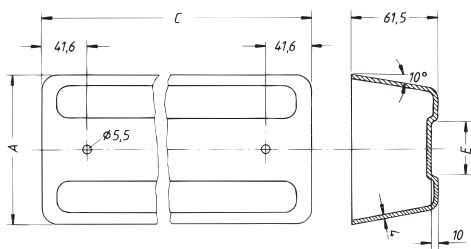
For further information www.schroff.biz/oneClick
oneClick code = Order no.

Case - *compac* - Accessories

Hood



02092004



A4513

Delivery comprises (kit)

Item	Qty	Description
1	1	Hood, ABS, RAL 7030 dark grey, panel thickness < 4 mm
2	1	Assembly kit

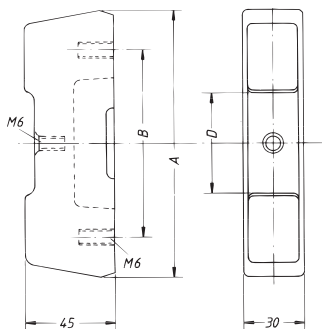
Order Information

Height	Width	A	C	E	Order No.
U	HP	mm	mm	mm	
3	42	156.5	267	56	20823-661
3	63	156.5	373.5	56	20823-662
3	84	156.5	480	56	20823-663

Note

- To attach the hood, the following parts must be assembled on the case:
- Foot made of plastic foam see page 3.69
- Rear panel, see page 3.66

Foot made of plastic foam



A4516

Delivery comprises (kit)

Item	Qty	Description
1	2	Feet, PU foam, black, 75° shore
2	1	Assembly kit

Order Information

Height	A	B	D	Order No.
U	mm	mm	mm	
3	133.5	95	65	20823-668
4	177.8	139.5	95	20823-669

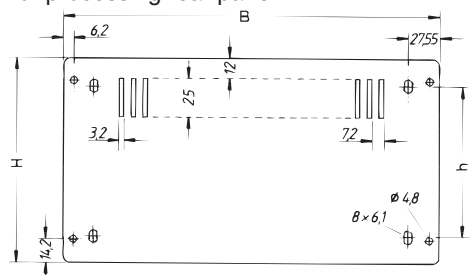
- Rear panel, see page 3.66



For further information www.schroff.biz/oneClick
oneClick code = Order no.

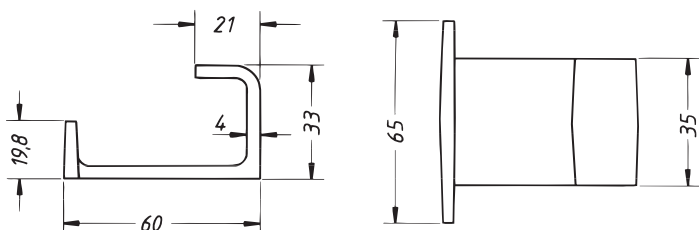
A4514

Dimension for processing rear panel



A4514

Cable bracket



A4512

Order Information

Description	Qty	Order No.
Cable bracket, PC, black, UL 94 V-0	2	20823-674

Note

- Can be assembled only in conjunction with feet made of plastic foam.



For further information ... www.schroff.biz

UK 08/2003

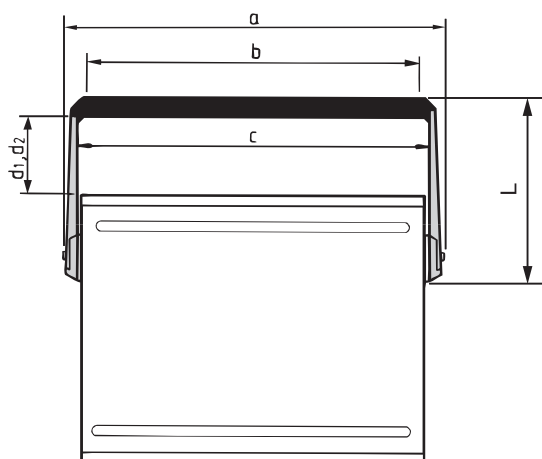
3.69

Case - *compac* - Accessories

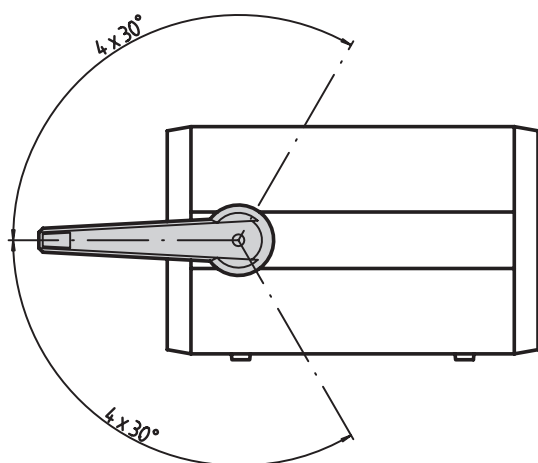
Tip-up carrying handle



02092013



L = length handle side section



CPA42264

- 2 versions
 - Version 1: with plastic-sheathed carrying bar
 - Version 2 : with black anodised carrying bar
- Can be retrofitted without mechanical reworking of the case
- Carrying bar can be adjusted to 30° intervals by pressing button
- Load-carrying capacity 20 kg

Delivery comprises (kit)

Item	Qty	Description
1	1	Carrying bar, aluminium extrusion, black anodised or plastic-sheathed
2	2	Handle side section, diecast zinc, powder coating, length 180 mm
3	2	Safety insert, 1.5 mm steel, black
4	1	Assembly part kit, including drilling template for side trim (6 U only)

Order Information

For case height	Width	L	Version 1	Version 2
U	HP	mm	Order No.	Order No.
2	42	180	–	10502-272
2	84	180	–	10502-274
3, 4	28	180	–	10502-275
3, 4	42	180	10502-288	10502-276
3, 4	63	180	10502-289	10502-277
3, 4	84	180	10502-290	10502-278

Table of Dimensions

Case width	a	b	c	d ₁ (2/3/4 U)	d ₂ (6 U)
HP	mm	mm	mm	mm	mm
28	249.32	180.32	202.72	68.5	138.5
42	320.44	251.44	273.84	68.5	138.5
63	427.12	358.12	380.52	68.5	138.5
84	533.80	464.80	487.20	68.5	138.5



For further information www.schroff.biz/oneClick
oneClick code = Order no.



Case - *compac* - Accessories

Front door (acrylic glass) folding / hinged



02092016

- Hinge fitting top or bottom
- with fast-action latch
- Lock can be retrofitted

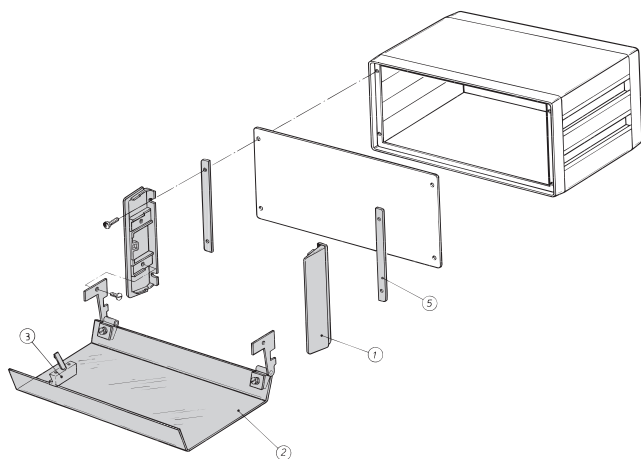
Delivery comprises (kit)

Item	Qty	Description
1	2	Side section, diecast aluminium, RAL 7030 dark grey
2	1	Front door, PMMA, blue-grey tinted, acrylic glass 3 mm
3	1	Fast-action latch, PC UL 94 V-0, black
4	1	Assembly kit

Spacer plate, 3.0 mm aluminium, clear chromated, please order separately

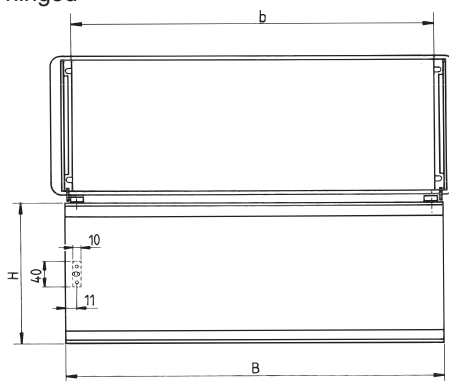
Order Information

Height	Width	Order No.
U	HP	
3	42	20823-491
3	63	20823-492
3	84	20823-493
Spacer plate Item no. 5, 3 mm aluminium, clear chromated, 1 piece		30823-852
Lock for front door Cylinder, 2 keys, assembly parts		21100-647

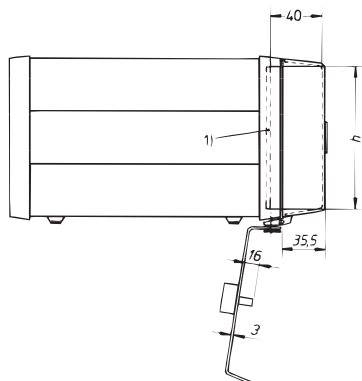


A2-151

Front door, hinged



A4-2265



A4-225

1) Front panel



For further information www.schroff.biz/oneClick
oneClick code = Order no.



Case - *compac* - Accessories

Subrack conversion kit 3 U

- For installation of euroboards, 100 mm high

Delivery comprises (kit)

Item	Qty	Description
1	2	Horizontal rail at the front, anodised aluminium extrusion
2	2	Rear horizontal rail ¹⁾ , anodised aluminium extrusion
6	2	Filler angle, anodised aluminium extrusion
7	1	Assembly kit

- ¹⁾– Without Z, for backplane assembly
 – With Z, for connector complying with EN 60603, see ordering information

Order Information

Width	with Z	without Z
HP	Order No.	Order No.
42	20823-759	20823-756
63	20823-760	20823-757
84	20823-761	20823-758

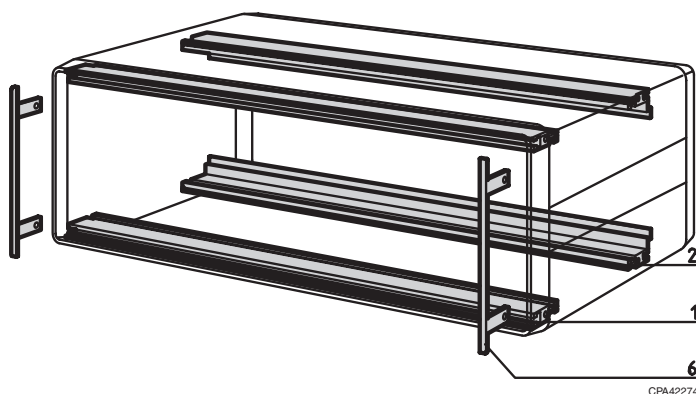
Note

Please order separately:

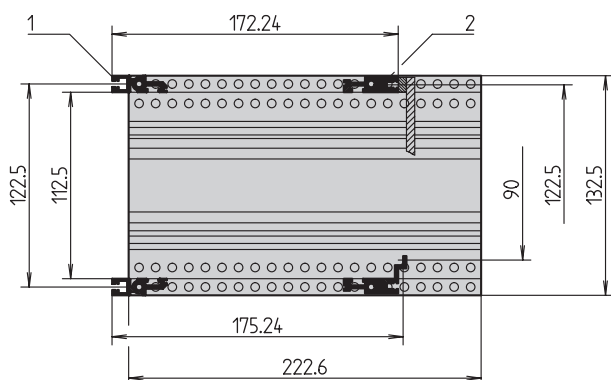
- Threaded inserts, see chapter "propac accessories"
- Guide rails, see chapter "propac accessories"
- Insulation strip (for installation of backplane), see chapter "propac accessories"



For further information www.schroff.biz/oneClick
 oneClick code = Order no.



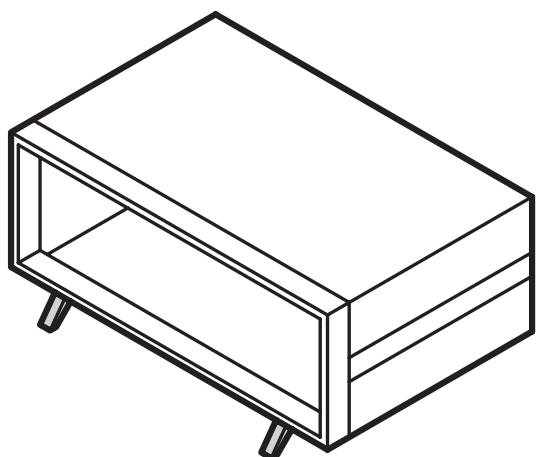
CPA42274



CPA42275

Case - *compac* - Accessories

Tip-up foot 1 made of plastic



- Load-carrying capacity: 25 kg per foot, max. case weight: 50 kg

Order Information

Type	Qty	grey Order No.	black Order No.
Foot with tip-up, PA, UL 94 HB	1	10603-023	10603-025
Foot without tip-up, PA, UL 94 HB	1	10603-024	10603-026
Cylinder head screw with slot M4 × 12, zinc-plated steel, 100 pieces			21101-211
Washer A4, St, zinc-plated, 100 pieces			21100-207
Hexagon nut M4, zinc-plated steel, 100 pieces			21100-211

Standard pack quantity foot with tip-up = 10 pieces

Standard pack quantity foot without tip-up = 20 pieces

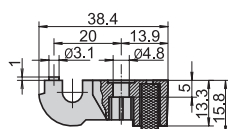
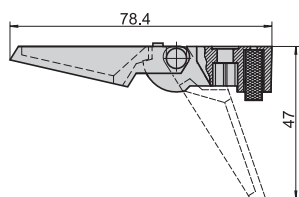
AZA45132

Note

- Please order assembly part kit separately.
- Delivering is in standard pack multiples
- Pricing is per individual item



For further information www.schroff.biz/oneClick
oneClick code = Order no.



AZA43835

Tip-up foot made of diecast aluminium

- Load-carrying capacity: 50 kg per foot

Order Information

Type	Qty	Order No.
Foot without tip-up, diecast aluminium	1	10603-001
Foot with tip-up, diecast aluminium	1	10603-002
Cylinder head screw with slot M4 × 12, zinc-plated steel, 100 pieces		21101-211
Hexagon nut M4, zinc-plated steel, 100 pieces		21100-211
Washer A4, St, zinc-plated, 100 pieces		21100-207

Standard packaging quantity foot = 10 pieces

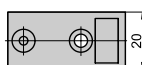
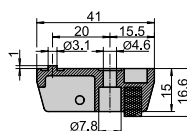
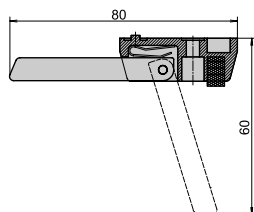
Note

- Delivering is in standard pack multiples
- Pricing is per individual item

AZA43836



For further information www.schroff.biz/oneClick
oneClick code = Order no.



Overview 0

Cabinets 1

Climate Control 2

Cases 3

Subracks/
19" chassis 4

Modules 5

Systems 6

Power supply
units 7

Backplanes 8

Accessories 9

Appendix 10

Cases - *comptec*



02202003

Standards

- Inside dimensions according to IEC 60297-2
- Protection to IP 20 according to IEC 60529
- GND / earthing to
EN 50178
EN 60950
EN 61010-1
EN 61010-1A2

Modifications

- Special paint
- Special depth
- Customized cutouts in the rear panels



Further important information can be found on the Internet
under www.schroff.biz



Cases for mounting 19" subracks

- Height from 1 U to 12 U
- Protection to IP 20
- Excellent stability
- Identical front and rear side, structure symmetric
- With protective earth connection



02202004

Portable desk-top case

- With built in handle



02202005

Portable desk-top case

- With inset handle

comptec accessories

19" case

1 - 4 U	3.76
6 - 9 U	3.77
9 - 12 U	3.78

comptec accessories

Slide rails	3.79
Folding handles	3.79
Earthing kit	3.80
Assembly kit	3.80
Tip-up foot 2 made of plastic	3.81
Tip-up foot made of diecast aluminium ...	3.81

Case - *comptec*

19" case 1 - 4 U

- Cover, base and rear panel made of steel

Delivery comprises (kit)

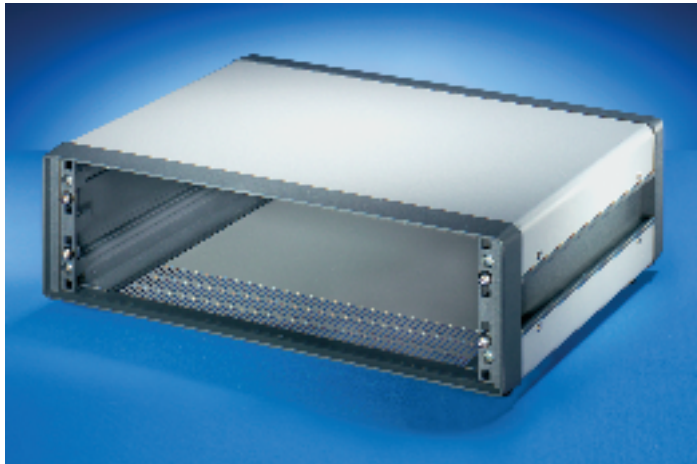
Item	Qty	Description
1	1	Front frame, diecast aluminium, RAL 7016 with integrated 19" mounting
2	1	Rear frame, diecast aluminium, RAL 7016 with integrated 19" mounting
5	2	Side panel, aluminium extrusion, RAL 7016
7	1	Cover, 1 mm steel, RAL 9006, with GND/earthing connection
8	1	Base plate, 1 mm steel, RAL 9006, with GND/earthing connection
9	1	Rear panel, 1 mm steel, RAL 9006, with GND/earthing connection
10	4	Foot with anti-slip protection, PC, black, UL 94 V-0
11	1	Assembly kit

Items 1, 2, 5 and 9 assembled.

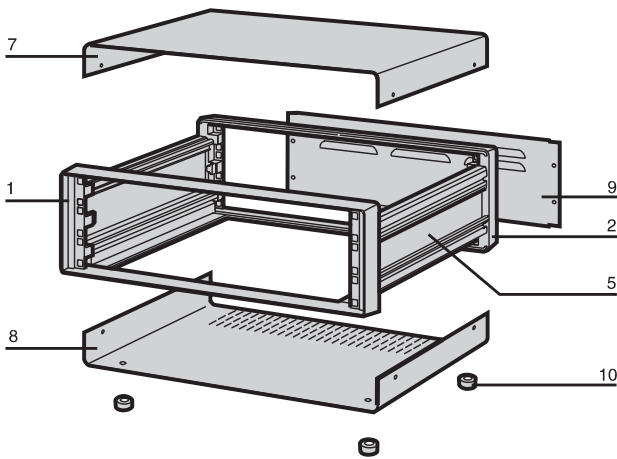
Items 7, 8, 10 and assembly parts enclosed loose.

Order Information

Height	Height H	h	Depth D	Usable depth d	Order No.
U	mm	mm	mm	mm	
1	64	4.5	300	276	10225-644
3	153	13	300	276	10225-601
3	153	13	400	376	10225-612
3	153	13	500	476	10225-623
4	198	13	300	276	10225-602
4	198	13	400	376	10225-613
4	198	13	500	476	10225-624

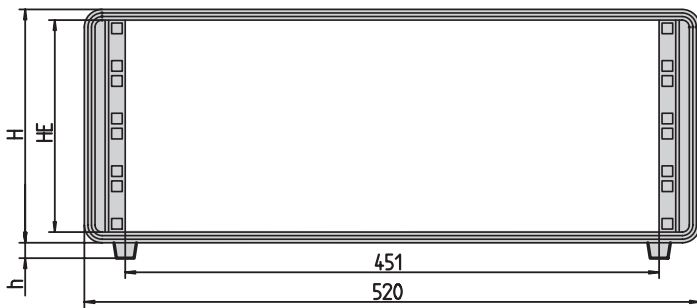


02202001



CTTP0001

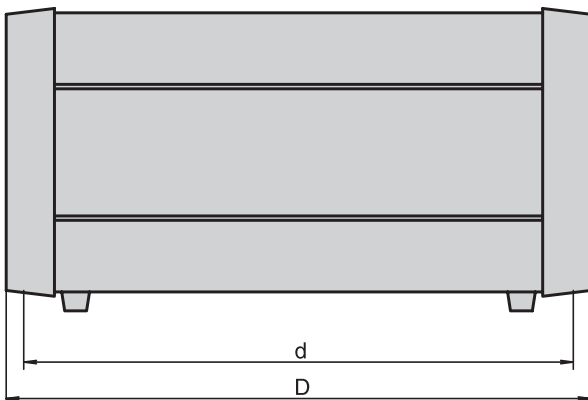
Front view



CTA30677

h = case foot height, 1 HE = 1 U

Side view



CTA42313

Useful depth $d = D - 24$ mm

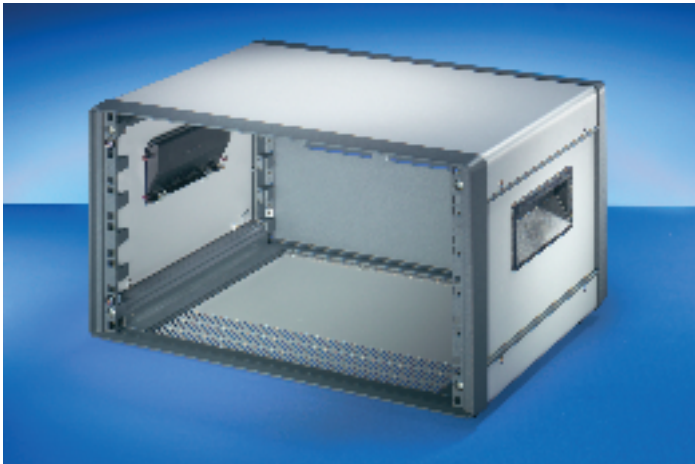


For further information www.schroff.biz/oneClick
oneClick code = Order no.

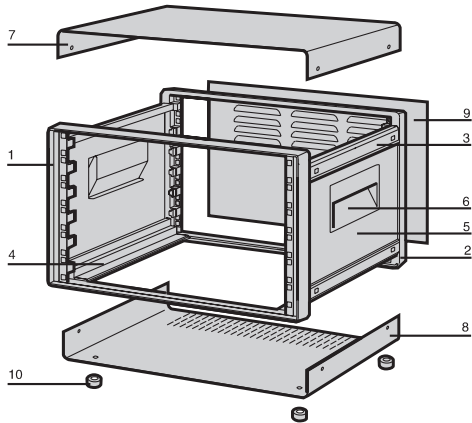


Case - *comptec*

19" case 6 - 9 U



02202002



CTTP0002

- With handle shell
- Cover, base and rear panel made of steel

Delivery comprises (kit)

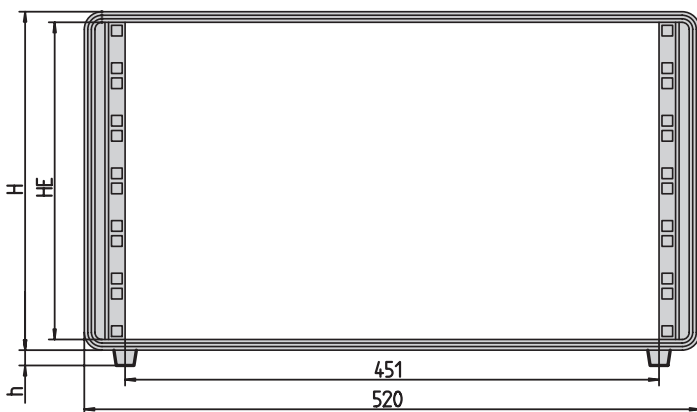
Item	Qty	Description
1	1	Front frame, diecast aluminium, RAL 7016, with integrated 19" mounting
2	1	Rear frame, diecast aluminium, RAL 7016, with integrated 19" mounting
3	2	Side extrusion, aluminium, RAL 7016
4	2	Side extrusion at bottom, aluminium, RAL 7016
5	2	Side panel, 1.5 mm steel, RAL 9006, with GND/earthing connection
6	2	Handle shell, PC, RAL 9006, UL 94 V-0
7	1	Cover, 1 mm steel, RAL 9006, with GND/earthing connection
8	1	Base, 1 mm steel, RAL 9006, with GND/earthing connection
9	1	Rear panel, 1 mm steel, RAL 9006, with GND/earthing connection
10	4	Foot with anti-slip protection, PC, black, UL 94 V-0
11	1	Assembly kit

Order Information

Height	Height H	h	Depth D	Usable depth d	Order No.
U	mm	mm	mm	mm	
6	286	13	300	276	10225-604
6	286	13	400	376	10225-615
6	331	13	500	476	10225-626
6	420	13	600	576	10225-637
7	286	13	400	376	10225-616
7	331	13	500	476	10225-627
7	420	13	600	576	10225-638
9	286	13	400	376	10225-618
9	331	13	500	476	10225-629
9	420	13	600	576	10225-640

- The handle shell item no. 6 can be replaced by a folding handle, see page 3.79

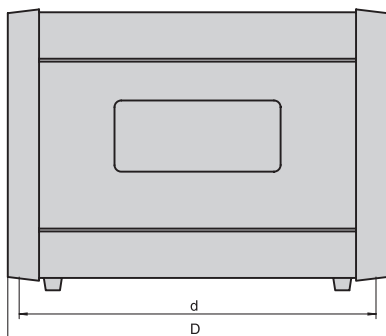
Front view



CTA30676

h = case foot height, 1 HE = 1 U

Side view



CTA42312

Useful depth $d = D - 24 \text{ mm}$



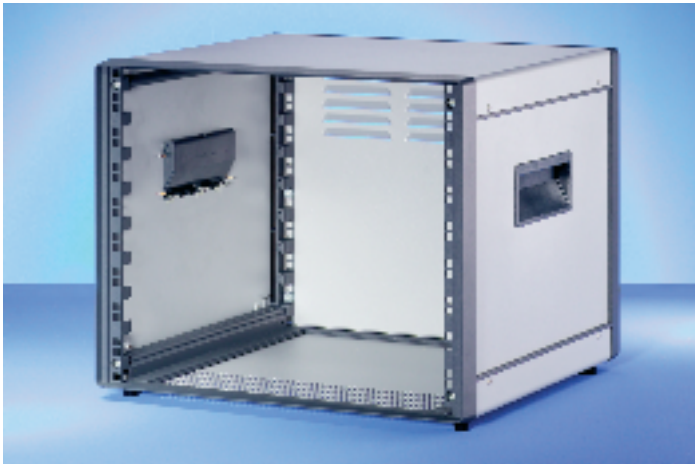
For further information www.schroff.biz/oneClick
oneClick code = Order no.



For further information ... www.schroff.biz

Case - *comptec*

19" case 9 - 12 U

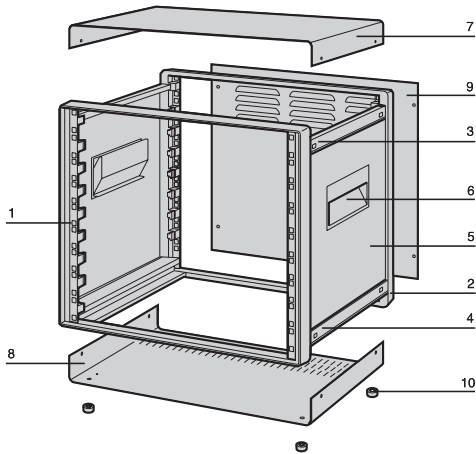


02202006

- Cover, base and rear panel made of steel
- With handle shell

Delivery comprises (kit)

Item	Qty	Description
1	1	Front frame, diecast aluminium, RAL 7016, with integrated 19" mounting
2	1	Rear frame, diecast aluminium, RAL 7016, with integrated 19" mounting
3	2	Side extrusion, aluminium, RAL 7016
4	2	Side extrusion at bottom, aluminium, RAL 7016
5	2	Side panel, 1.5 mm steel, RAL 9006, with GND/earthing connection
6	2	Handle shell, PC, RAL 9006, UL 94 V-0
7	1	Cover, 1 mm aluminium, RAL 9006, with GND/earthing connection
8	1	Base, 1 mm aluminium, RAL 9006, with GND/earthing connection
9	1	Rear panel, 1 mm aluminium, RAL 9006, with GND/earthing connection
10	4	Foot with anti-slip protection, PC, black, UL 94 V-0
11	1	Assembly kit



CTTP0003

Order Information

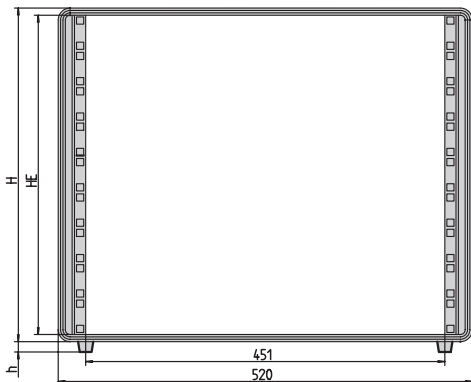
Height	Height H	h	Depth D	Usable depth d	Order No.
U	mm	mm	mm	mm	
9	9	13	400	376	10225-667
9	9	13	500	476	10225-682
9	9	13	600	576	10225-693
12	12	13	400	376	10225-670
12	12	13	500	476	10225-685
12	12	13	600	576	10225-696

- The handle shell item no. 6 can be replaced by a folding handle, see page 3.79



For further information www.schroff.biz/oneClick
oneClick code = Order no.

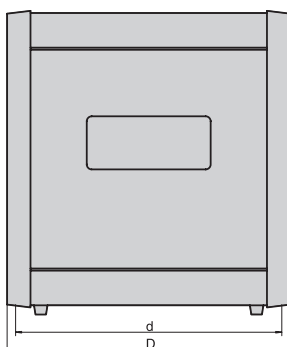
Front view



CTA30679

h = case foot height, 1 HE = 1 U

Side view



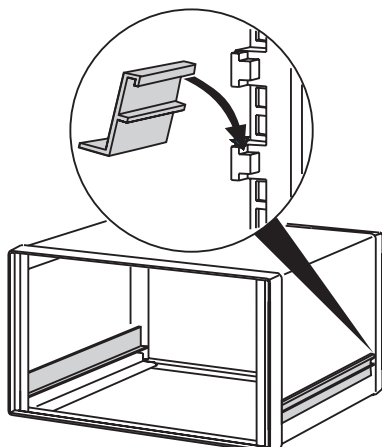
CTA42314

Useful depth d = D - 24 mm



Case - *comptec*

Slide rails



CTTP0005

- Slide rails are suitable as support for 19" subracks and 19" chassis

Delivery comprises

Item	Qty	Description
1	1	Slide rail, anodised aluminium profile, cut edges plain, load-carrying capacity 10 kg

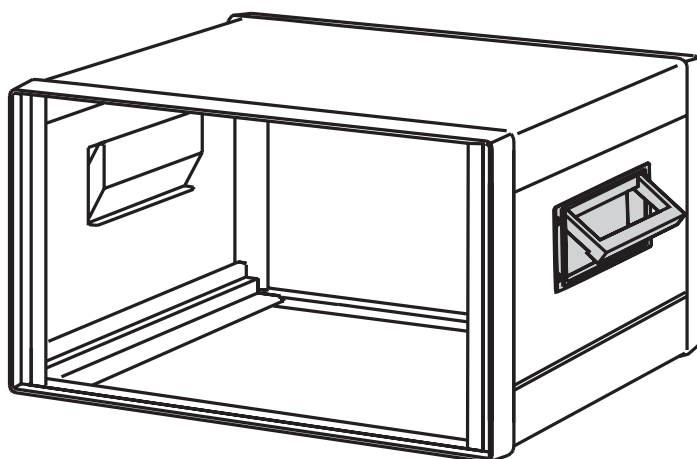
Order Information

For case depth mm	Order No.
300	30225-089
400	30225-090
500	30225-091
600	30225-092



For further information www.schroff.biz/oneClick
oneClick code = Order no.

Folding handles



CTTP0006

- Folding handles can be used instead of the plastic handle shells mounted as standard.
- Load-carrying capacity: 50 kg/pair

Delivery comprises (kit)

Item	Qty	Description
1	2	Folding handle, diecast aluminium, RAL 7016
2	1	Assembly kit

Order Information

Description	Order No.
Folding handle	20225-439

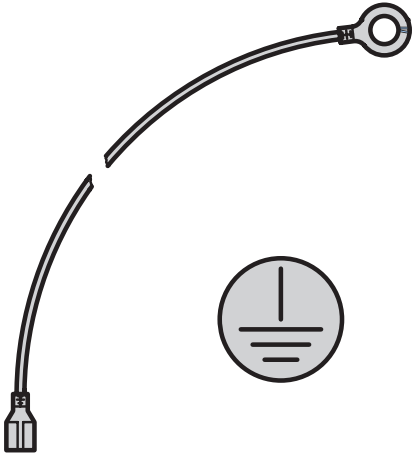


For further information www.schroff.biz/oneClick
oneClick code = Order no.



Case - *comptec*

Earthing kit



AZA43284

- The earthing kit ensures the case is IEC-compliant earthed according to:
 - EN 50178
 - EN 60950
 - EN 61010-1
 - EN 61010-1A2

Delivery comprises (kit)

Item	Qty	Description
1	1	GND/earthing kit, Cu wire, 1.5 mm ² , PVC sleeve, green/yellow, connects side panels, cover, base and rear panel

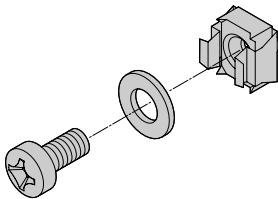
Order Information

Description	up to 4 U	greater than 4 U
	Order No.	Order No.
GND/earthing kit for case with steel panels	21100-490	21100-448



For further information www.schroff.biz/oneClick
oneClick code = Order no.

Assembly kit



06702058

- For Subracks in comptec case
- For Case with 19" brackets in comptec case

Delivery comprises

Item	Description
1	Cage nut M6, zinc-plated
2	Screw M6 × 16, zinc-plated pozidrive
3	Plastic washer, ABS, black

Order Information

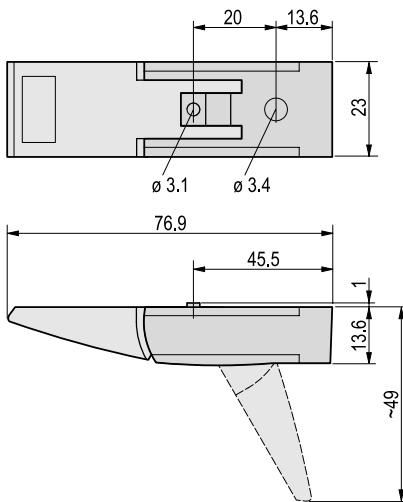
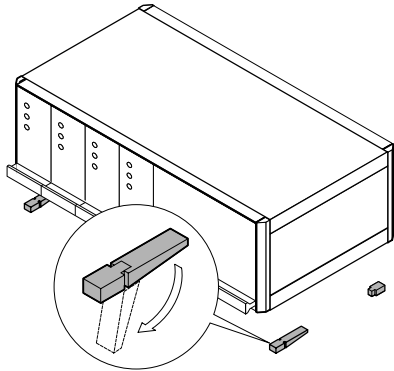
Description	Order No.
8 × (screw, Plastic washer, Cage nut) each part	21100-435
50 × (screw, Plastic washer, Cage nut) each part	21101-809
100 × (screw, Plastic washer, Cage nut) each part	21101-810



For further information www.schroff.biz/oneClick
oneClick code = Order no.

Case - comptec

Tip-up foot 2 made of plastic



01802075

- Can be used instead of standard feet
- Load-carrying capacity 25 kg per foot, max. case weight: 50 kg
- Mounting holes available in bottom of casing

Delivery comprises (kit)

Item	Qty	Description
1	4	Foot, PA UL 94 V-0
2	4	Anti-slip protection, TPE
3	2	Tip-up, PA UL 94 V-0
4	1	Assembly kit

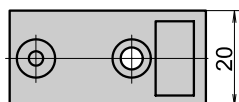
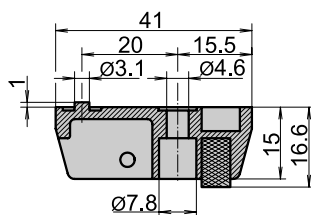
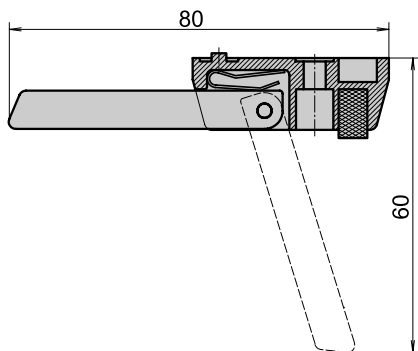
Order Information

Description	Order No.	Order No.
Setting up foot 2 Plastic	20603-002	20603-001



For further information www.schroff.biz/oneClick
oneClick code = Order no.

Tip-up foot made of diecast aluminium



AZA43836

- Load-carrying capacity: 50 kg per foot, max. case weight: 50 kg

Order Information

Type	Qty	Order no.
Foot without tip-up, diecast aluminium	1	10603-001
Foot with tip-up, diecast aluminium	1	10603-002
Cylinder head screw with slot M4 × 12, zinc-plated steel, 100 pieces		21101-211
Hexagon nut M4, zinc-plated steel, 100 pieces		21100-211
Washer A4, St, zinc-plated, 100 pieces		21100-207

Standard pack quantity foot = 10 pieces

Note

- Delivery is in standard pack multiples. Pricing is per individual item



For further information www.schroff.biz/oneClick
oneClick code = Order no.



Overview 0

Cabinets 1

Climate Control 2

Cases 3

Subracks/
19" chassis 4

Modules 5

Systems 6

Power supply
units 7

Backplanes 8

Accessories 9

Appendix 10

Cases – CONCEPTLINE

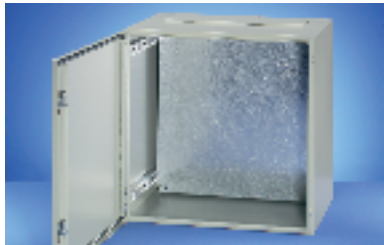


41102001



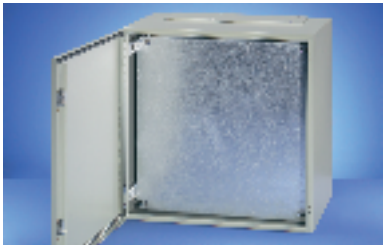
41102003

Depth-adjustable 19" mounting plane



41102004

Depth-adjustable mounting plate



41102005

Standards

- Protection IP 66 to IEC 60529
- UL 508 Typ 12
- NEMA 250 Typ 12
- CSA-C22.2 No.94 Typ 12



Modifications

- Special colours
- Different heights and widths
- With or without gland plates
- Exchangeable door stops
- Customer specific cut-outs

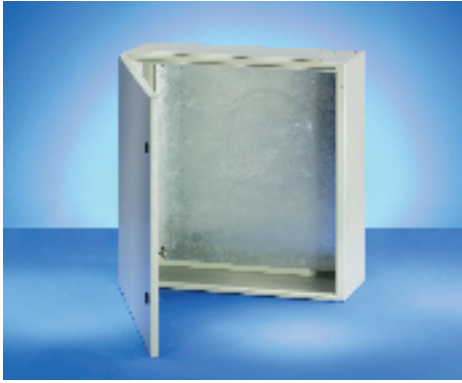


Further important information can be found on the Internet under www.schroff.biz



Stable wall-mounted case

- Protection IP 66
- Depth-adjustable 19" mounting plane or mounting plate



41102002

Wall-mounted case

- With mounting plate
- With gland plate
- Door opening to 130°

CONCEPTLINE accessories

Wall case

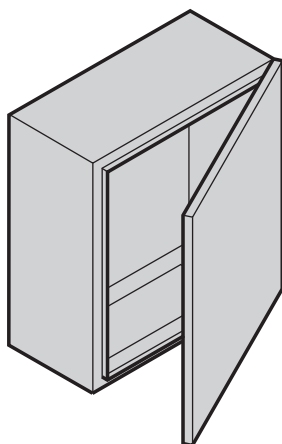
With mounting plate	3.84
Without mounting plate	3.85

CONCEPTLINE accessories

Mounting plate	3.86
Mounting bracket	3.86
Wall assembly bracket	3.87
Earthing kit	3.87
19" panel mount	3.88
Depth member	3.88
Locking inserts	3.89

Case - CONCEPTLINE wall case

Wall case with mounting plate

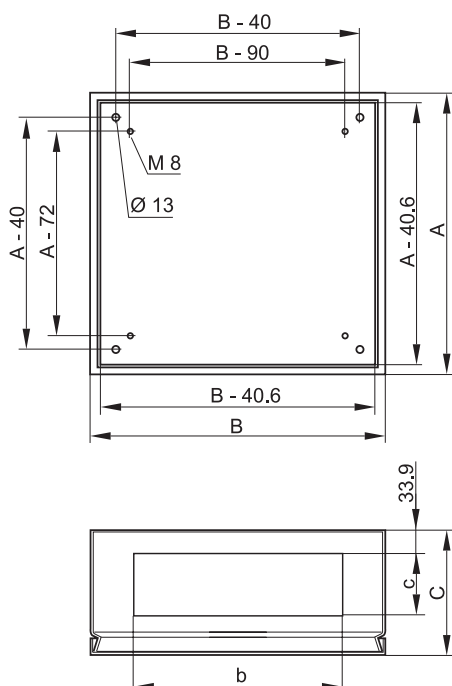


■ Door opening angle 130°

■ Type of protection IP 66

Delivery comprises (assembled)

Item	Qty	Description
1	1	Basic case, 1.5 mm steel, RAL 7032
2	1	Door 2 mm steel, RAL 7032, with seal
3	1	Gland plate, 1.5 mm steel, bottom mounted
4	1 / 2	Lock 3 mm double bit, case height 600 mm: 1 lock 800 mm: 2 locks
5	1	Mounting plate, zinc-plated
6	1	Assembly kit



Order Information

CONST001

Case			Gland plate aperture		Weight	Order no.
A	B	C	b	c	kg	
mm	mm	mm	mm	mm		
300	250	150	187	62	6.4	12406-160
300	300	220	220	100	8.7	12406-162
400	300	150	187	62	9.5	12406-161
400	300	220	220	100	10.9	12406-163
400	400	220	220	100	13.1	12406-164
400	600	220	420	100	20.5	12406-168
500	400	220	220	100	16.4	12406-165
500	500	220	420	100	18.6	12406-167
600	400	220	220	100	18.9	12406-166
600	600	220	420	100	33.2	12406-169
600	600	320	420	100	36.7	12406-171
800	600	220	420	100	41	12406-170
800	600	320	420	100	45	12406-172
800	600	420	420	100	46.7	12406-173

A= case height, B= case width, C= case depth

b= width gland plate aperture, c= depth gland plate aperture

Note

■ Other sizes available on request

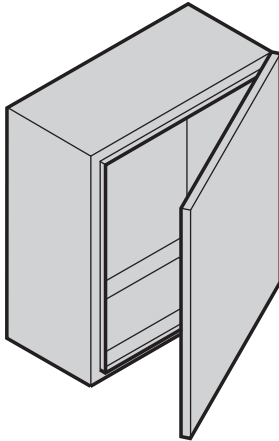
CONST002



For further information www.schroff.biz/oneClick
oneClick code = Order no.

Case - CONCEPTLINE wall case

Wall case without mounting plate



- Door opening angle 130°
- Type of protection IP 66

Delivery comprises (assembled)

Item	Qty	Description
1	1	Basic case, 1.5 mm steel, RAL 7032
2	1	Door 2 mm steel, RAL 7032, with seal
3	1	Gland plate, 1.5 mm steel, bottom mounted
4	1 / 2	Lock 3 mm double bit, case height 600 mm: 1 lock 800 mm: 2 locks
5	1	Assembly kit

Please order mounting plate separately

CONST001

Order Information

Case			Gland plate aperture		Weight	Order no.
A	B	C	b	c	kg	
mm	mm	mm	mm	mm		
300	250	150	187	62	5.3	12406-004
300	300	220	220	100	7.4	12406-010
400	300	150	187	62	7.6	12406-005
400	300	220	220	100	9	12406-011
400	400	220	220	100	10.5	12406-012
400	600	220	420	100	13.9	12406-017
500	400	220	220	100	13	12406-013
500	500	220	420	100	14.4	12406-015
600	400	220	220	100	14.9	12406-014
600	600	220	420	100	20.5	12406-018
600	600	320	420	100	24	12406-031
800	600	220	420	100	25.4	12406-019
800	600	320	420	100	29.4	12406-032
800	600	420	420	100	31.1	12406-054

A= case height, B= case width, C= case depth

b= width gland plate aperture, c= depth gland plate aperture

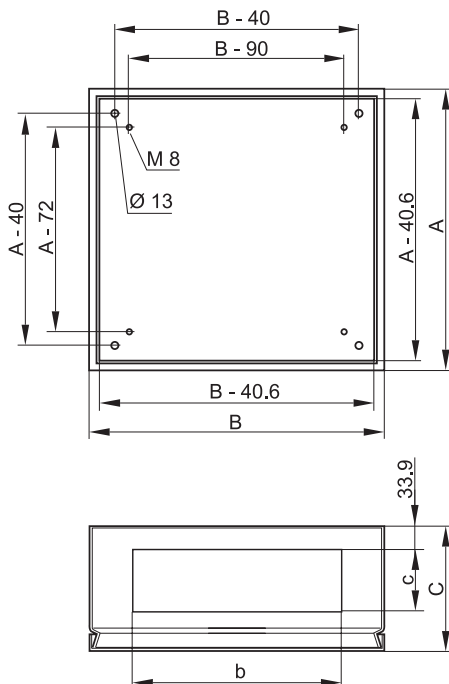
Note

- Other sizes available on request.

CONST002

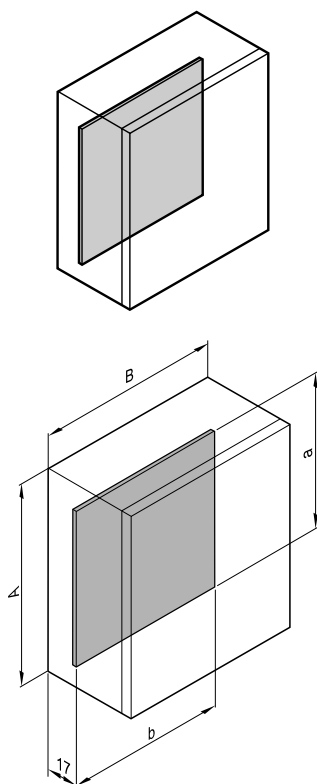


For further information www.schroff.biz/oneClick
oneClick code = Order no.



Case – CONCEPTLINE wall case

Mounting plate



- For assembly of electro-mechanical components

Delivery comprises

Item	Qty	Description
1	1	Mounting plate, 2.5 mm steel, zinc-plated
2	1	Assembly kit

Order Information

CONST005

Case	Mounting plate		Weight	Order No.	
A	B	a	b		
mm	mm	mm	mm	kg	
300	250	254	208	1.1	12406-801
300	300	254	254	1.3	12406-810
400	300	354	254	1.9	12406-802
400	400	354	354	2.6	12406-812
400	600	354	554	6.6	12406-821
500	400	454	354	3.4	12406-813
500	500	454	454	4.2	12406-815
600	400	554	354	4	12406-814
600	600	554	554	12.7	12406-818
800	600	754	554	15.6	12406-819

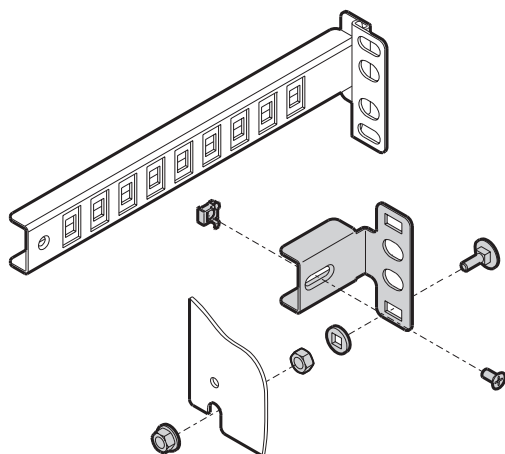
A= case height, B= case width

CONST006



For further information www.schroff.biz/oneClick
oneClick code = Article number

Mounting bracket



- Mounting plate depth-adjustable
- Suitable for 220, 320 and 420 mm case depths

Delivery comprises (kit)

Item	Qty	Description
1	4	Bracket, 2 mm steel, zinc-plated
2	1	Assembly kit

Order Information

Description	Order No.
Mounting bracket	12406-730

Note

- Depth members required

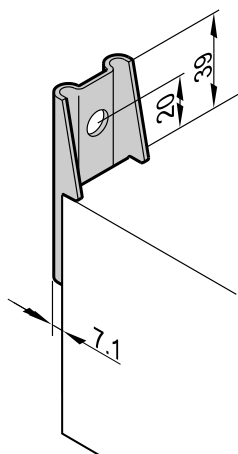
CONST033



For further information www.schroff.biz/oneClick
oneClick code = Article number

Case – CONCEPTLINE wall case

Wall assembly bracket



- For direct wall assembly
- Stat. load max. 150 kg

Delivery comprises

Item	Qty	Description
1	4	Wall bracket, 2.5 mm steel, zinc-plated
2	1	Assembly kit

Order Information

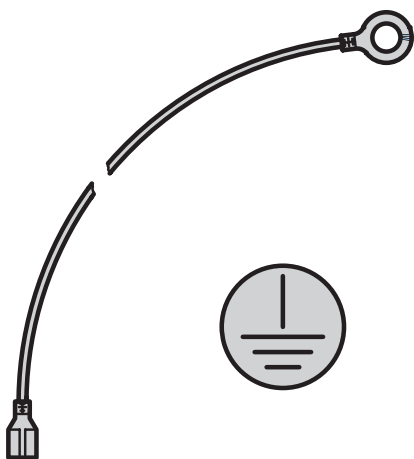
Description	Order no.
Wall assembly bracket	12406-403

CONST021



For further information www.schroff.biz/oneClick
oneClick code = Order no.

Earthing kit



- For IEC-compliant GND/earthing of a CONCEPTLINE wall case

Delivery comprises

Item	Qty	Description
1	2	GND/earthing wire, Copper, green/yellow
2	1	Assembly kit

Order Information

Description	Order no.
Earthing kit	12406-400

AZA43284

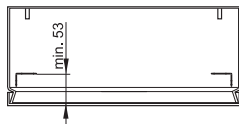
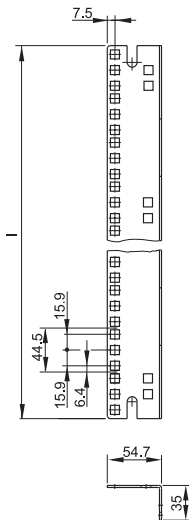
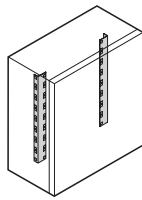


For further information www.schroff.biz/oneClick
oneClick code = Order no.



Case - CONCEPTLINE wall case

19" panel mount



CONST013

- For mounting 19" components complying with IEC 297
- Only suitable for case with a width of 600 mm
- If depth members are used, recessed installation is possible

Delivery comprises (kit)

Item	Qty	Description
1	2	19" panel mount, 2 mm steel, zinc-plated
2	1	Assembly kit

Order Information

Height U	l mm	A mm	Order no.
8	362	400	12406-450
10	454	500	12406-451
12	550	600	12406-452
17	762	800	12406-454
Cage nut M6 for Material thicknesses 1.8 - 2.6 mm, 100 pieces			21 100-004
Screw M6 , 100 pieces			21 100-022
Washer, 100 pieces			21 100-016
Cage nut M6 for GND/earthing, 10 pieces			21 100-101
Cage nut M6 for GND/earthing, 100 pieces			21 100-102

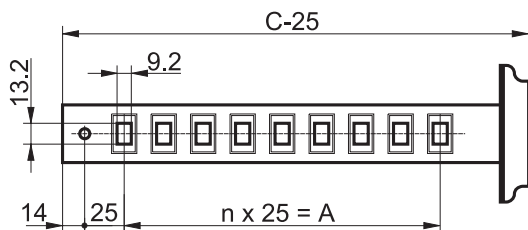
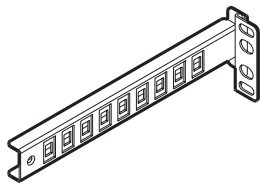
A = case height, l = length panel mount



For further information www.schroff.biz/oneClick
oneClick code = Order no.

CONST014

Depth member



CONST034

- The depth member enables recessed installation of 19" panel mounts or the mounting plate

Delivery comprises

Item	Qty	Description
1	4	Depth member, 2 mm steel, zinc-plated
2	1	Assembly kit

Order Information

C mm	Order no.
220	12406-419
320	12406-418
420	12406-411

C = case depth

- For recessed mounting of the the mounting bracket, see page 3.86

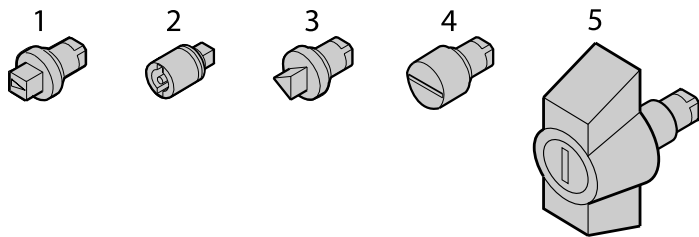


For further information www.schroff.biz/oneClick
oneClick code = Order no.



Case – CONCEPTLINE wall case

Locking inserts



Order Information

Type	Locking insert Order no.	Key Order no.
T-handle, item 5	62406-123	60127-018

Note

- Other locking inserts (items 1 ... 4) available on request



For further information www.schroff.biz/oneClick
oneClick code = Order no.



Overview 0

Cabinets 1

Climate Control 2

Cases 3

Subracks/
19" chassis 4

Modules 5

Systems 6

Power supply
units 7

Backplanes 8

Accessories 9

Appendix 10

Cases – INLINE



41402001



40796001

Internal parts can be preassembled outside the case.



41402002

Easy to assemble



40796005

Easy to mount on the wall

Standards

- Protection to IP 66 according to IEC 60529
- UL 508 type 12
- NEMA 250 type 12
- CSA-C22.2 No. 94 type 12



Modifications

- Other heights and depths
- Special painting
- Customized cutouts



Further important information can be found on the internet under www.schroff.biz

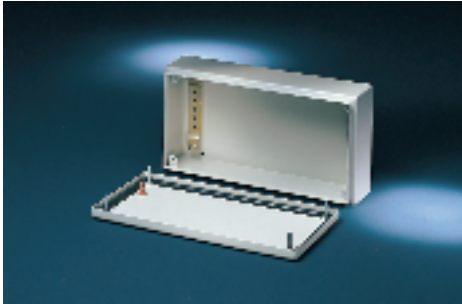


Cases – INLINE

Overview 3.90

Robust small case for wall mounting

- Protection up to IP 66
- Can accommodate DIN rails and mounting plates



40996006

Terminal enclosures

- Protection to IP 66
- Parts can be assembled and wired outside the case
- Screwed cover

Terminal case..... 3.92

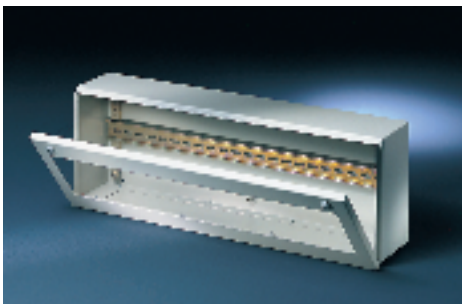


40796004

Installation enclosures

- Protection to IP 66
- Parts can be assembled to rails and wired outside the case
- Door can be hinged to 180°

Installation case..... 3.93



40896006

Bus enclosures

- Protection to IP 55
- Can accommodate different bus systems, e.g. Siemens, Phoenix, Klöckner-Moeller
- Parts can be assembled to rails and wired outside the case
- Door can be hinged to 180°

Bus case
For PG cable ducting 3.94
Bus case with flange plate.....3.95

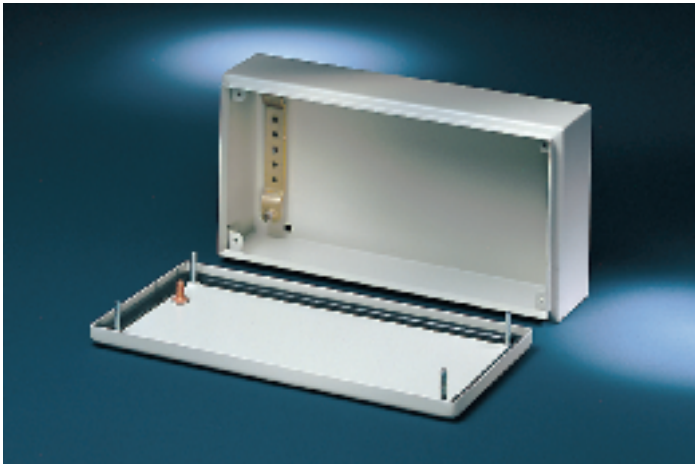
INLINE accessories

INLINE accessories
Mounting plate..... 3.96
Wall assembly bracket..... 3.96
Support rail 3.97
Assembly rail for internal configuration 3.98
Earthing kit 3.99



Case - INLINE wall case

Terminal case



40996006

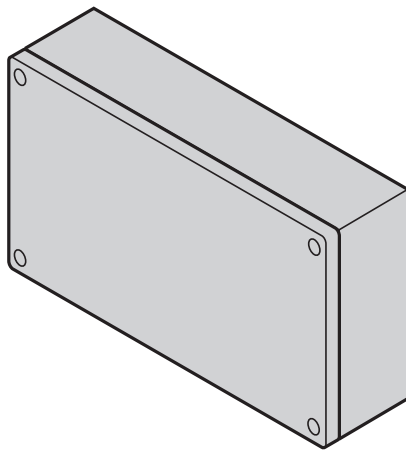
- Type of protection: IP 66
- Assembly and wiring possible with support rails outside the case
- Simple wall assembly
- Cover bolted on

Delivery comprises (assembled)

Item	Qty	Description
1	1	Basic case, 1.4 mm steel, RAL 7032
2	1	Cover, 1.4 mm steel, RAL 7032, foam-seal
3	2	Assembly rail, 3.4 mm steel, zinc-plated
4	1	Assembly kit

Order Information

A mm	B mm	C mm	Weight kg	Order no.
150	150	80	0.9	12405-001
150	300	80	1	12405-002
200	200	80	1	12405-003
200	300	80	1.1	12405-004
200	400	80	1.1	12405-005
150	150	120	1	12405-020
150	300	120	1.1	12405-021
200	200	120	1.1	12405-022
200	300	120	1.2	12405-023
200	400	120	1.2	12405-024
300	300	120	1.2	12405-028
300	400	120	1.3	12405-029



KLGEH001

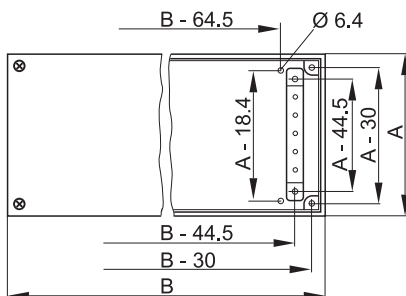
A = height, B = width, C = depth

Note

- Other sizes available on request



For further information www.schroff.biz/oneClick
oneClick code = Order no.



KLGEH002

Case - INLINE wall case

Installation case



40796004

- Type of protection: IP 66
- Assembly and wiring possible with support rails outside the case
- Simple wall assembly
- Door opening angle 180°

Delivery comprises (assembled)

Item	Qty	Description
1	1	Basic case, 1.4 mm steel, RAL 7032
2	1	Door, 1.4 mm steel, RAL 7032 with seal
3	1	Lock, 3 mm double bit
4	1	Assembly kit

Order Information

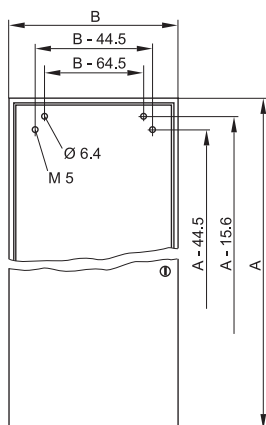
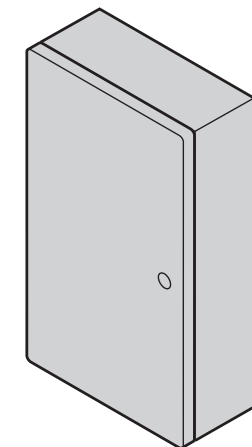
A	B	C	Weight	Order no.
mm	mm	mm	kg	
300	200	80	3.2	12405-073
400	200	80	4	12405-074
200	200	120	3.5	12405-081
300	200	120	3.5	12405-083
300	300	120	3.7	12405-084
400	200	120	3.7	12405-085
400	300	120	4	12405-086

A = height, B = width, C = depth

Note

- Other sizes available on request
- Assembly rail see page 3.98
- Mounting plate see page 3.96

INGEH001



INGEH002



For further information www.schroff.biz/oneClick
oneClick code = Order no.

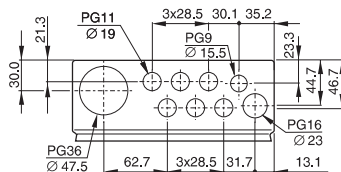
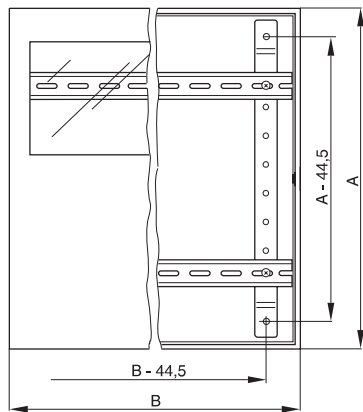
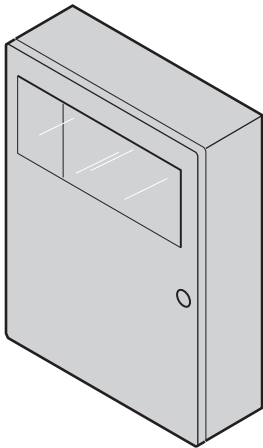


Case - INLINE wall case

Bus case for PG cable ducting



40896003



BUGEH002

- Type of protection: IP 55
- To accommodate various bus systems, e.g. Siemens, Phoenix, Klöckner-Moeller, etc.
- Assembly and wiring possible with support rails outside the case
- Door opening angle 180°

Delivery comprises (assembled)

Item	Qty	Description
1	1	Basic case, 1.4 mm steel, RAL 7032
2	1	Glazed door, 1.4 mm steel, RAL 7032, with seal
3	1	Lock, 3 mm double bit
4	2	DIN rail TS 35/7.5, 1 mm steel, zinc-plated
5	2	Assembly rail for internal configuration, 3.4 mm steel, zinc-plated
6	1	Assembly kit

Order Information

A	B	C	Weight	Order no.
mm	mm	mm	kg	
300	200	80	1.6	12405-090

A = height, B = width, C = depth

Note

- Other sizes available on request
- Dimensions DIN rail TS 35/7.5 see page 3.97

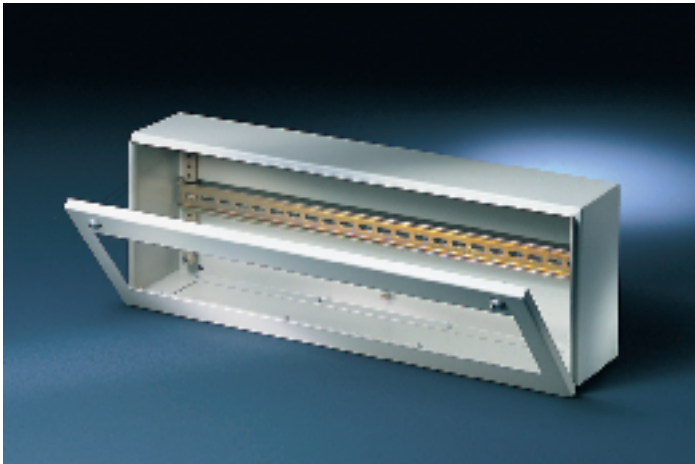
BUGEH001



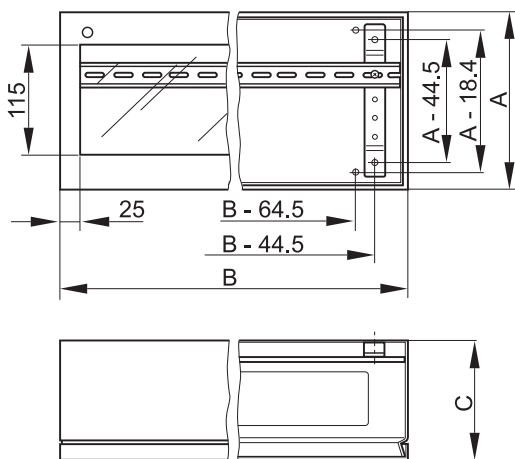
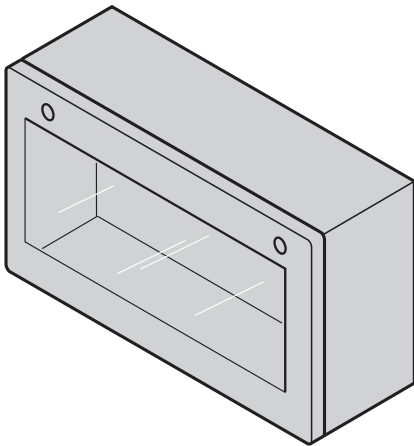
For further information www.schroff.biz/oneClick
oneClick code = Order no.

Case - INLINE wall case

Bus case with flange plate



40896006



BUGEH003

BUGEH004

- Type of protection: IP 55
- To accommodate various bus systems, e.g. Siemens, Phoenix, Klöckner-Moeller, etc.
- Assembly and wiring possible with support rails outside the case
- Door opening angle 180°

Delivery comprises (assembled)

Item	Qty	Description
1	1	Basic case, 1.4 mm steel, RAL 7032
2	1	Glazed door, 1.4 mm steel, RAL 7032, with seal
3	1	Gland plate, 1.4 mm steel, RAL7032, with seal
4	1	3 mm double-bit lock with 600 mm, 2 locks
5	1	DIN rail TS 35/7.5, 1 mm steel, zinc-plated
6	2	Assembly rail for internal configuration, 3.4 mm steel, zinc-plated
7	1	Assembly kit

Order Information

A	B	C	Weight	Order no.
mm	mm	mm	kg	
200	400	125	1.7	12405-093
200	600	125	2	12405-094

Note

- Other sizes available on request.
- Dimensions DIN rail TS 35/7.5 see page 3.97



For further information www.schroff.biz/oneClick
oneClick code = Order no.



Case - INLINE wall case, accessories

Mounting plate

- For assembly of electro-mechanical components

Delivery comprises

Item	Qty	Description
1	1	Mounting plate, 2.5 mm steel, zinc-plated, assembly kit included in the basic case

Order Information

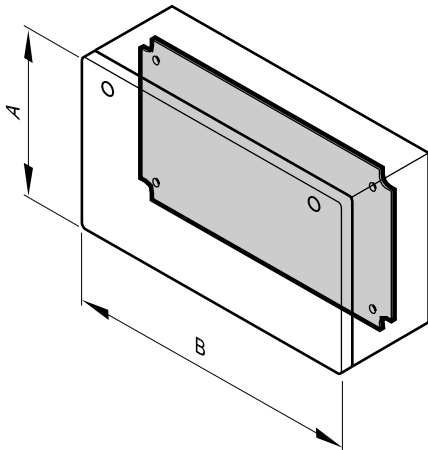
Case		Mounting plate		Weight	Order no.
A	B	A	b	kg	
mm	mm	mm	mm		
150	150	131	131	0.5	32405-024
150	300	131	281	0.7	32405-025
200	200	181	181	0.7	32405-026
200	300	181	281	0.9	32405-027
200	400	181	381	1	32405-028
300	200	281	181	0.8	32405-033
300	300	281	281	0.9	32405-034
300	400	281	381	1.1	32405-035
400	200	381	181	1	32405-038
400	300	381	281	1.2	32405-039

A = case height

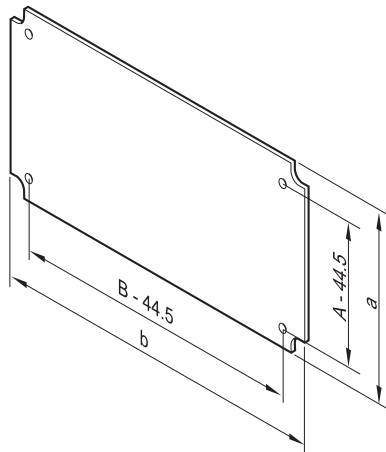
a = height of mounting plate

B = case width


b = width of mounting plate



KLGEH098



KLGEH014

 For further information www.schroff.biz/oneClick
oneClick code = Order no.


Wall assembly bracket

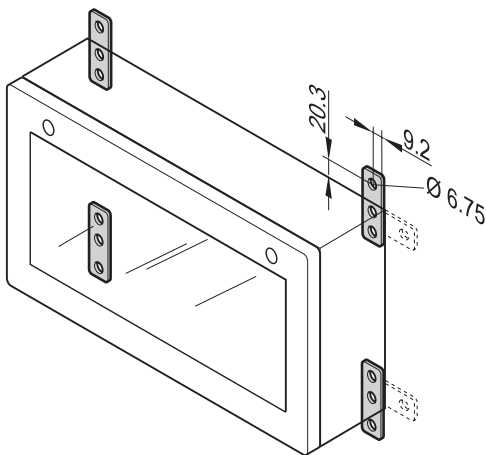
Delivery comprises (kit)

Item	Qty	Description
1	4	Wall assembly bracket, 2.6 mm steel, yellow, zinc-plated
2	1	Assembly kit

Order Information

Description	Order no.
Wall assembly bracket	12405-120

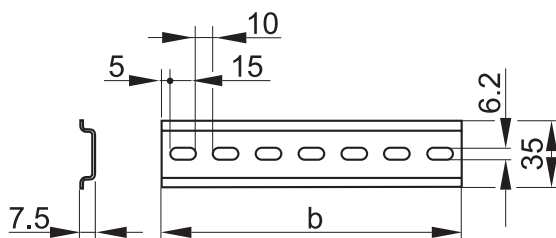
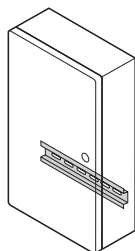
 For further information www.schroff.biz/oneClick
oneClick code = Order no.



BUGEH015

Case - INLINE wall case, accessories

Support rail TS 35/7.5 (EN 50022)



INGEH014

KLGEH006

Delivery comprises (kit)

Item	Qty	Description
1	4	Support rail, 1 mm steel, zinc-plated, assembly kit included in basic case

Order Information

B	b	Order no.
mm	mm	
150	135	62405-001
200	185	62405-002
300	285	62405-003
400	385	62405-004
500	485	62405-005
600	585	62405-006

B = case width, b = length of support rail

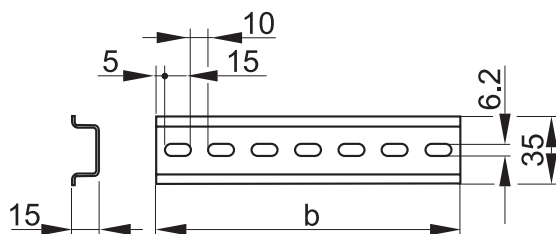
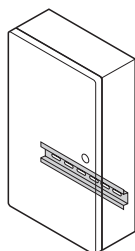
Note

- Assembly rail required for internal configuration with installation case



For further information www.schroff.biz/oneClick
oneClick code = Order no.

Support rail TS 35/15 (EN 50022)



INGEH014

KLGEH006

Delivery comprises (kit)

Item	Qty	Description
1	4	Support rail, 1 mm steel, zinc-plated, assembly kit included in basic case

Order Information

B	b	Order no.
mm	mm	
150	135	62405-010
200	185	62405-011
300	285	62405-012
400	385	62405-013
500	485	62405-014
600	585	62405-015

B = case width, b = length of support rail

Note

- Assembly rail required for internal configuration with installation case

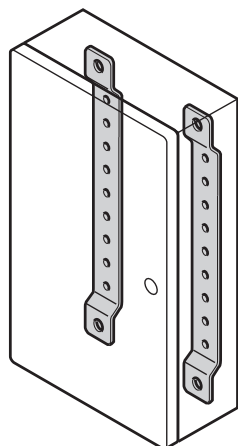


For further information www.schroff.biz/oneClick
oneClick code = Order no.



Case - INLINE wall case, accessories

Assembly rail for internal configuration



- Required for assembly of support rail with installation case

Delivery comprises (kit)

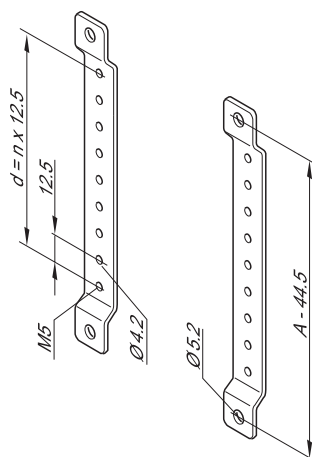
Item	Qty	Description
1	2	Assembly rail, 3.4 mm steel, zinc-plated, assembly kit included in basic case

Order Information

A	n	D	Order no.
mm		mm	
200	8	100	12405-181
300	16	200	12405-182
400	24	300	12405-183

A = case height

INGEH005



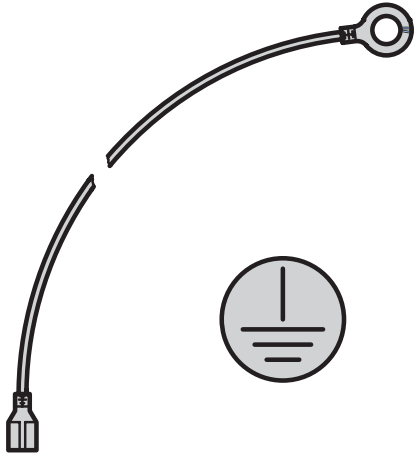
INGEH006



For further information www.schroff.biz/oneClick
oneClick code = Order no.

Case - INLINE wall case, accessories

Earthing kit



- For IEC-compliant GND/earthing of a case

Delivery comprises (kit)

Item	Qty	Description
1	2	GND/earthing wire, Copper, plastic, green/yellow
2	1	Assembly kit

Order Information

Description	Order no.
Earthing kit	21101-836



For further information www.schroff.biz/oneClick
oneClick code = Order no.

AZA43284

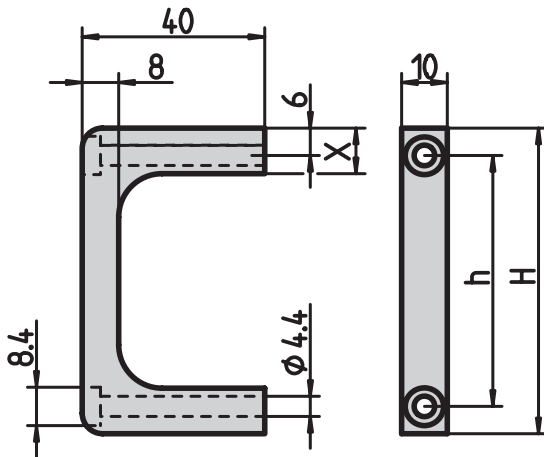


Case - Accessories

Handles

- Front handles
- Strap handle
- Tip-up carrying handle
- Folding handles
- Tray handles

Front handle '1'



ESA44245

- Load-carrying capacity 30 kg

Delivery comprises (kit)

Item	Qty	Description
1	2	Front handle, anodised aluminium extrusion
2	1	Assembly kit

Order Information

X	H	Height h	Order no.
mm	mm	mm	
10	40	28	20860-056
12	69	53	20860-057
13	113	97.5	20860-058
13	157.5	141.9	20860-059
13	201.9	186.4	20860-060
13	246.4	230.8	20860-061

Note

- Delivery is in standard pack multiples. Pricing is per individual item

Front handle '2'

- Load-carrying capacity 30 kg

Delivery comprises (kit)

Item	Qty	Description
1	1	Front handle, anodised aluminium extrusion

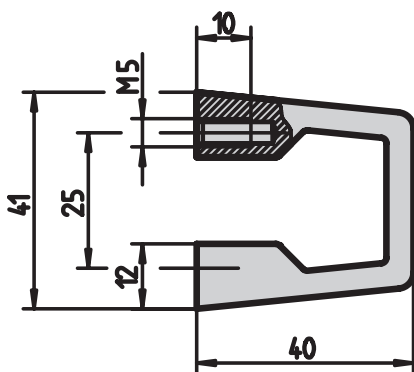
Order Information

Type	Order no.
Front handle 2	10501-116
Pozidrive countersunk screw M5 × 12, zinc-plated, 100 pieces	21100-234
Pozidrive Taptite screw self-securing, M5 × 12, nickel-plated, 100 pieces	21100-788

Standard pack quantity front handle = 10 pieces

Note

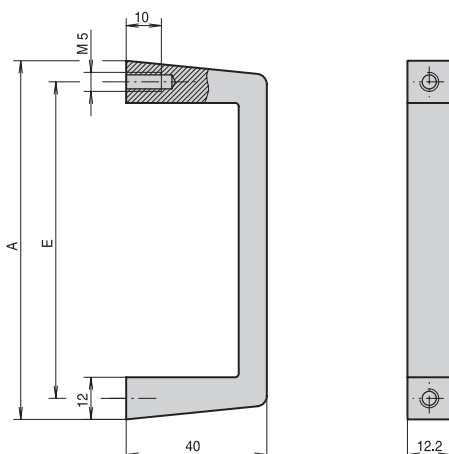
- Please order assembly part kit separately
- Delivery is in standard pack multiples. Pricing is per individual item



BZA42316

Case - Accessories

Front handle '3'



BZA42327

- Load-carrying capacity 30 kg

Delivery comprises (kit)

Item	Qty	Description
1	1	Front handle, anodised aluminium extrusion

Order Information

A	E	clear anodised	black anodised
mm	mm	Order no.	Order no.
69	55	10501-004	10501-025
102	88	10501-005	10501-026
132	120	10501-006	10501-027
146.4	133.4	10501-018	-
194	180	10501-007	10501-028
249	235	10501-008	10501-029

Pozidrive countersunk screw M5 × 12, zinc-plated, 100 pieces **21100-234**

Pozidrive Taptite screw self-securing, M5 × 12, nickel-plated, 100 pieces **21100-788**

Standard pack quantity front handle = 10 pieces

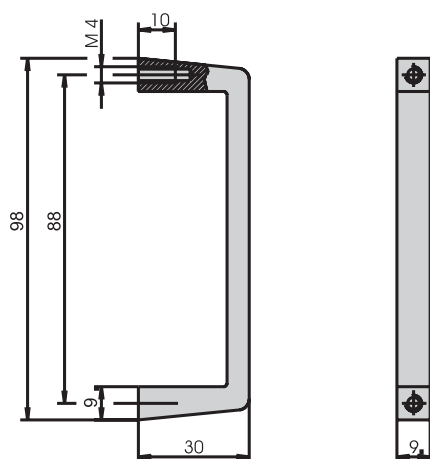
Note

- Please order assembly part kit separately
- Delivery is in standard pack multiples. Pricing is per individual item



For further information www.schroff.biz/oneClick
oneClick code = Order no.

Front handle '5'



BZA42330

- Load-carrying capacity 30 kg

Delivery comprises (kit)

Item	Qty	Description
1	1	Front handle, anodised aluminium extrusion

Order Information

Type	Order no.
Front handle 5	10501-003
Pozidrive countersunk screw M5 × 12, zinc-plated, 100 pieces	21100-234
Pozidrive Taptite screw self-securing, M5 × 12, nickel-plated, 100 pieces	21100-788

Standard pack quantity front handle = 10 pieces

Note

- Please order assembly part kit separately
- Delivery is in standard pack multiples. Pricing is per individual item

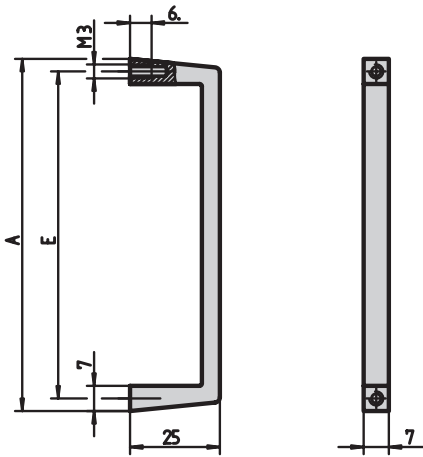


For further information www.schroff.biz/oneClick
oneClick code = Order no.



Case - Accessories

Front handle '6'



BZA42318

- Load-carrying capacity 30 kg

Delivery comprises (kit)

Item	Qty	Description
1	1	Front handle, anodised aluminium extrusion

Order Information

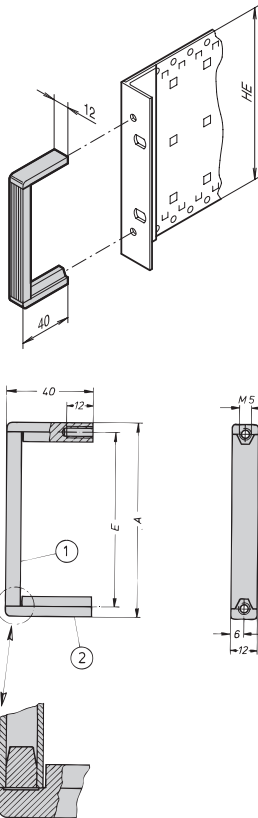
A	E	Order no.
mm	mm	
48	40	10501-001
98	90	10501-002
Pozidrive countersunk screw M5 × 12, zinc-plated, 100 pieces		21 100-234
Pozidrive Taptite screw self-securing, M5 × 12, nickel-plated, 100 pieces		21 100-788

Standard pack quantity front handle = 10 pieces

Note

- Delivery is in standard pack multiples. Pricing is per individual item.

Front handle '7', multi-piece (Universal handle)



BPA45855

- Front handle 7, 3-piece, middle part is aluminium extrusion, end pieces made of fibreglass reinforced high impact plastic

- Load-carrying capacity 10 kg

Delivery comprises (kit)

Item	Qty	Description
1	1	Front handle, anodised aluminium extrusion
2	2	End piece, PA, dark grey

Order Information

A	E	Order no.
mm	mm	
87.5	73.5	10502-050
102	88	10502-057
132.5	120	10502-059
194	180	10502-063
249	235	10502-065
Pozidrive countersunk screw M5 × 12, zinc-plated, 100 pieces		21 100-234
Pozidrive Taptite screw self-securing, M5 × 12, nickel-plated, 100 pieces		21 100-788

Standard pack quantity front handle = 10 pieces

Note

- Delivery is in standard pack multiples. Pricing is per individual item

A3-227

Individual parts, front handle 7

Order Information

Description	Qty	Order no.
Handle section, 1 m long	1	30502-051
End foot, 2 pieces each required	1	60502-003

Case – Accessories

Strap handle 1

- Load-carrying capacity: 20 kg

Delivery comprises (kit)

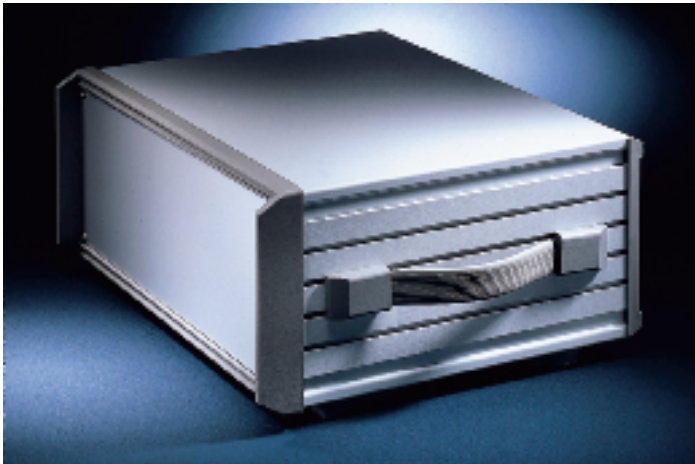
Item	Qty	Description
1	1	Strap, spring steel, handle piece, flexible plastic, grey, RAL 7016
2	2	Cover, grey, RAL 7016

Order Information

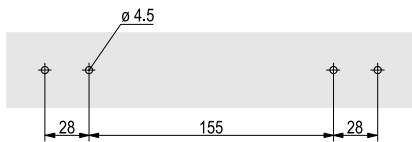
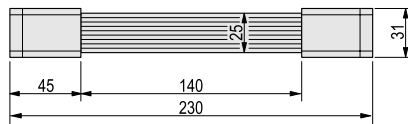
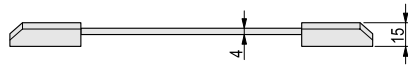
Type	Order no.
Strap handle 1 with adapter	20850-249



For further information www.schroff.biz/oneClick
oneClick code = Order no.



05895003



02902050

Strap handle 2

- Load-carrying capacity: 20 kg

Delivery comprises (kit)

Item	Qty	Description
1	1	Strap, spring steel, plastic-sheathed, black
2	2	Cover plates, chrome-plated steel
3	1	Set of assembly parts

Order Information

Length mm	Order no.
240	10504-003
170	10504-002

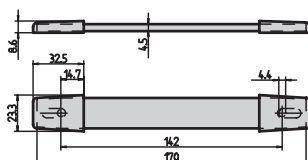
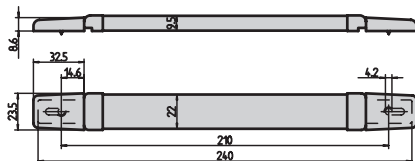


For further information www.schroff.biz/oneClick
oneClick code = Order no.



02992006

Length 240 mm / 170 mm



BZA42368



For further information ... www.schroff.biz

UK 08/2003

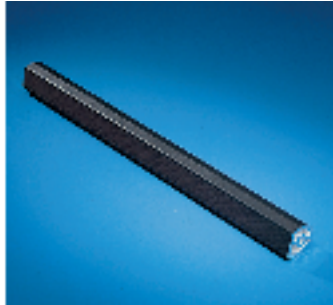
3.103

Case – Accessories

Tip-up carrying handle in individual parts



02992002



02992001

- **Load-carrying capacity:** 25 kg (with handle bar length 450 mm)

Handle side parts



02992002

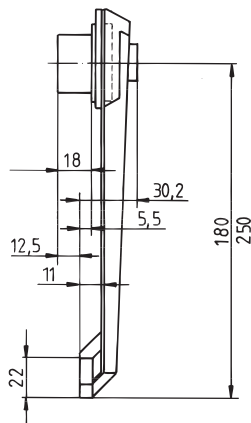
- Handle can be adjusted to 30° intervals by pressing button

Delivery comprises (kit)

Item	Qty	Description
1	2	Side sections, diecast zinc, painted, (chromium decor)
2	2	Safety inserts, 1.5 mm steel, black
3	2	Adapters/ratchets
4	1	Assembly kit

Order Information

Length mm	Order no.
180	10502-297
250	10502-296



A4-2361



For further information www.schroff.biz/oneClick
oneClick code = Order no.

Handle bar

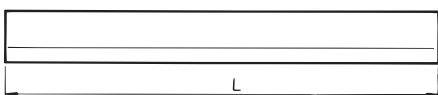


Delivery comprises (kit)

Item	Qty	Description
1	1	Handle bar, aluminium, black anodised

Order Information

Length mm	Order no.
1000	30502-191



02992001



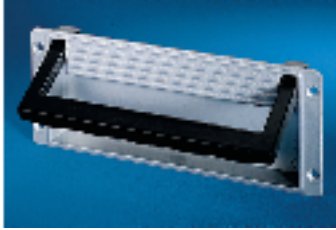
A4-2367



For further information www.schroff.biz/oneClick
oneClick code = Order no.

Case – Accessories

Folding metal handle



02992004

- For case protection up to IP 40
- Latched when folded in or out
- The same cut-out for assembly in front of or behind the case panel
- Load-carrying capacity: 30 kg

Delivery comprises (kit)

Item	Qty	Description
1	1	Handle, diecast aluminium, RAL 9005, black
2	1	Handle shell, diecast aluminium, RAL 9006, silver

Order Information

Description	Order no.
Folding metal handle	20505-032

Standard pack quantity = 10 pieces

Note

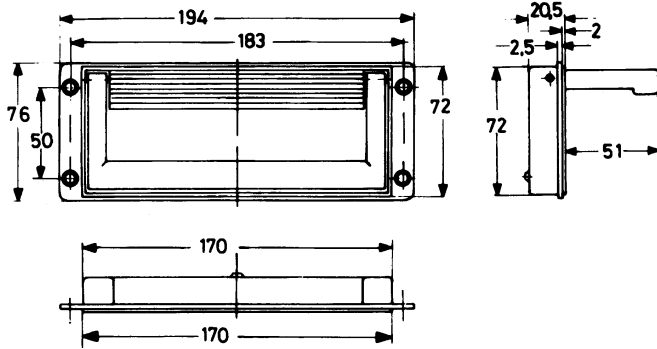
- Delivery is in standard pack multiples. Pricing is per individual item.

A4-2369

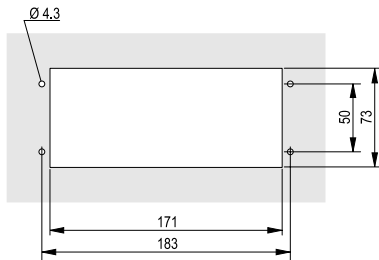


For further information www.schroff.biz/oneClick
oneClick code = Order no.

Folding metal handle

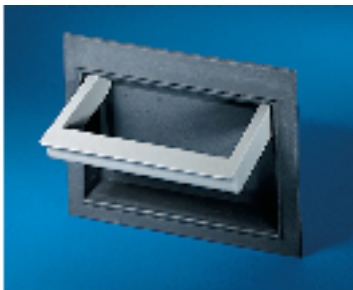


Assembly cut-out



A4-2370

Folding plastic handle



02992005

- For case protection up to IP 40
- Latched when folded in or out
- Only for external assembly
- Load-carrying capacity: 20 kg

Delivery comprises (kit)

Item	Qty	Description
1	1	Handle, PA, light-grey
2	1	Handle shell, PA, dark grey
3	1	Set of assembly parts

Order Information

Description	Order no.
Folding plastic handle	10505-014

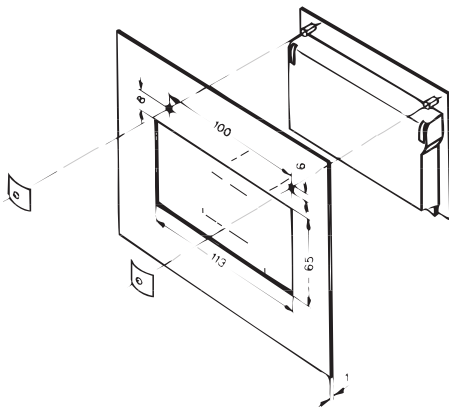
Standard pack quantity = 10 pieces

Note

- Delivery is in standard pack multiples. Pricing is per individual item

A2-123

Folding plastic handle



Case – Accessories

Tray handle



02992003

Delivery comprises (kit)

Item	Qty	Description
1	1	Handle shell, PC, UL 94 V-0

Order Information

Colour	Size 1 for material thickness 1.5 mm	Size 1 for material thickness 2.5 mm	Size 2 for material thickness 2.5 mm
greyish-brown	Order no. 60229-002	Order no. 60229-001	Order no. 60225-015
black	Order no. 60229-004	Order no. 60229-003	Order no. 60225-012
Anti-vibration clip 20 units			21100-089
Anti-vibration clip 100 pieces			21100-093

Standard pack quantity tray handle = 10 pieces

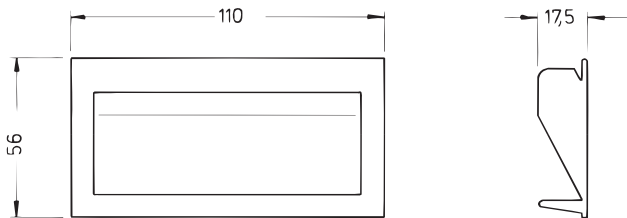
Note

- Please order anti-vibration clips for mounting on the case separately.
- Requirement:
for handle size 1: 2 anti-vibration clips
for handle size 2: 3 anti-vibration clips
- Delivery is in standard pack multiples. Pricing is per individual item.



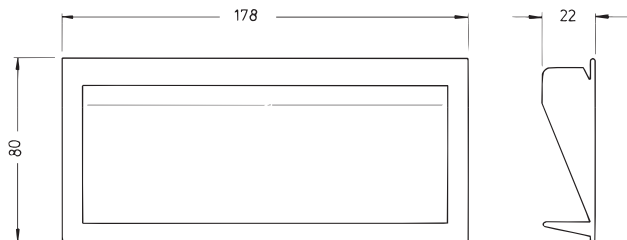
For further information www.schroff.biz/oneClick
oneClick code = Order no.

Dimensions 1, case cut-out 49 × 103 mm



A3-0670a

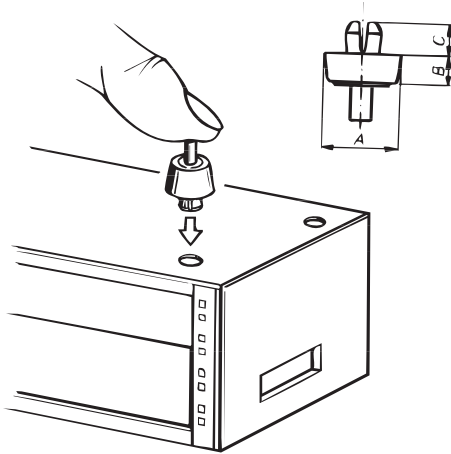
Dimensions 2, case cut-out 73 × 171 mm



A3-0670b

Case – Accessories

Plastic foot



Delivery comprises

Item	Qty	Description
1	1	Plastic foot, PC, UL 94 V-0, black

Order Information

Type	Dimensions			Diameter	Order no.
	A	B	C		
	mm	mm	mm	mm	
for material thickness 1.5 ... 3	16	7.2	4	7	60224-009
for material thickness 1.5 ... 4	21	15	7	7.7	60224-011

Standard pack quantity = 50 pieces

Note

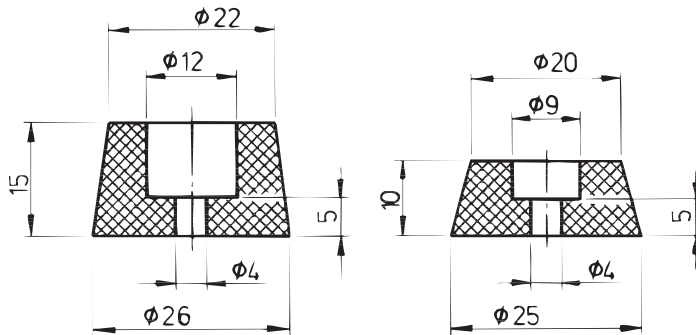
A4330

- Once inserted in the assembly hole, the foot is locked by pushing in the split pin
- Delivery is in standard pack multiples. Pricing is per individual item



For further information www.schroff.biz/oneClick
oneClick code = Order no.

Rubber foot



A42315

Order Information

Dimensions	Material	Colour	Qty	Order no.
Height mm	Diameter mm			
10	25	Rubber grey	1	60200-001
15	26	Rubber grey	1	60200-027

Standard pack quantity = 50 pieces

Note

- Delivery is in standard pack multiples. Pricing is per individual item



For further information www.schroff.biz/oneClick
oneClick code = Order no.

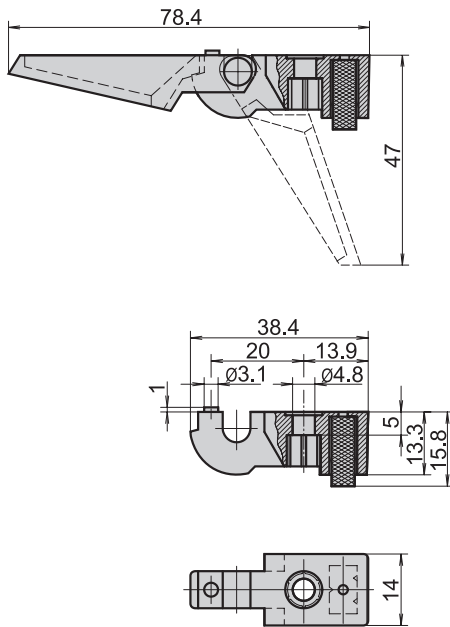


Case – Accessories

Tip-up feet

- Version in plastic and diecast aluminium
- Can be used instead of the standard round feet
- Mounting holes available in bottom of case
- Secure case stance with slip-proof rubber inserts

Tip-up foot 1 made of plastic



AZA43835

- Load-carrying capacity: 25 kg per foot

Order Information

Description	grey	black
	Order no.	Order no.
Foot with tip-up, PA, UL 94 HB	10603-023	10603-025
Foot without tip-up, PA, UL 94 HB	10603-024	10603-026
Pozidrive flathead screw M4 × 10, zinc-plated steel, 100 pieces		21100-513
Hexagon nut M4, zinc-plated steel, 100 pieces		21100-211
Washer A4, St, zinc-plated, 100 pieces		21100-207

Standard pack quantity foot with tip-up = 10 pieces

Standard pack quantity foot without tip-up = 20 pieces

Note

- Please order assembly part kit separately.
- Delivery is in standard pack multiples. Pricing is per individual item

Tip-up foot 2 made of plastic

- Load-carrying capacity 25 kg per foot

Delivery comprises (kit)

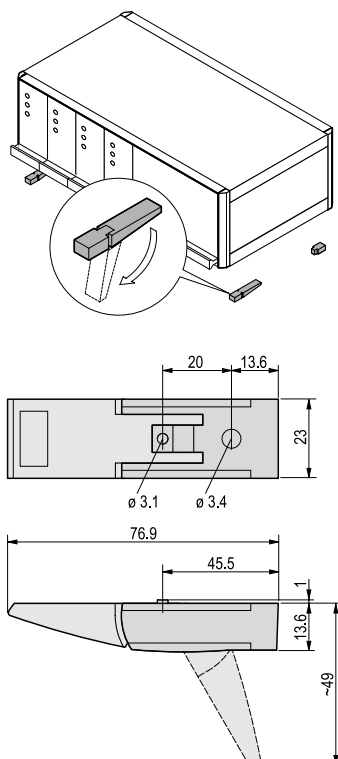
Item	Qty	Description
1	4	Foot, PA UL 94 V-0
2	4	Anti-slip protection, TPE
3	2	Tip-up, PA UL 94 V-0
4	1	Assembly kit

Order Information

Description	RAL 7016 anthracite	RAL 9006 silver
	Order no.	Order no.
Setting up foot 2 Plastic	20603-002	20603-001



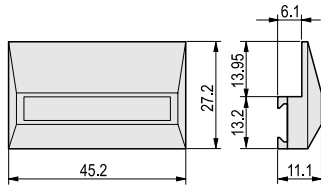
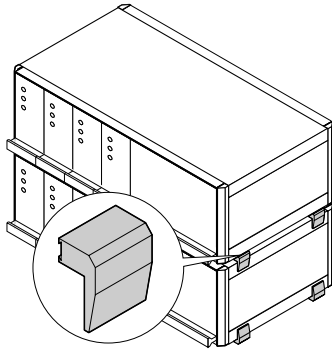
For further information www.schroff.biz/oneClick
oneClick code = Order no.



01802075

Case – Accessories

Stacking aid case (for tip-up foot 2)



01802076

- A stacking aid can be rearranged into a design element

Delivery comprises (kit)

Item	Qty	Description
1	4	Stacking aid, PA UL 94 V-0

Order Information

Description	anthracite	silver
	Order no.	Order no.
Stacking aid case (for tip-up foot 2)	20603-003	20603-004

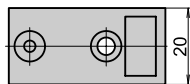
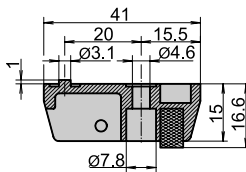
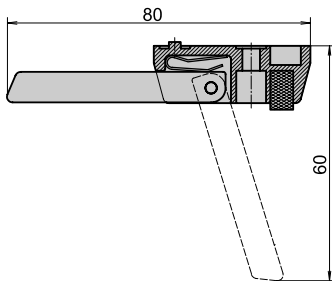
Note

- Assembly only possible on tip-up foot 2



For further information www.schroff.biz/oneClick
oneClick code = Order no.

Tip-up foot made of diecast aluminium



AZA43836

- Load-carrying capacity: 50 kg per foot

Order Information

Type	Qty	Order no.
Foot with tip-up, diecast aluminium	1	10603-002
Foot without tip-up, diecast aluminium	1	10603-001
Cylinder head screw with slot M4 × 12, zinc-plated steel, 100 pieces		21101-211
Hexagon nut M4, zinc-plated steel, 100 pieces		21100-211
Washer A4, St, zinc-plated, 100 pieces		21100-207

Standard pack quantity foot = 10 pieces

Note

- Delivery is in standard pack multiples. Pricing is per individual item



For further information www.schroff.biz/oneClick
oneClick code = Order no.

Overview 0

Cabinets 1

Climate Control 2

Cases 3

Subracks/
19" chassis 4

Modules 5

Systems 6

Power supply
units 7

Backplanes 8

Accessories 9

Appendix 10

Cases – Products Phase-out

Products Phase-out



01992004

cardpac

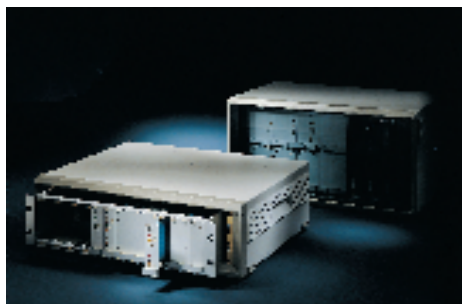
- Available ex stock until September 2004
- From September 2004 project related production only lot size (min. 25 pieces)
- Replacement product:
ratiopac PRO air – case see page 3.2
- Documentation cardpac - www.schroff.biz



12399001

projet

- Available at request
- From September 2004 project related production only lot size (min. 25 pieces)
- Alternative product:
comptec – 19" case see page 3.72



06800005

protec

- Available ex stock until September 2004
- From September 2004 project related production only lot size (min. 25 pieces)
- Alternative product:
comptec – 19" case see page 3.74
- Documentation protec - www.schroff.biz

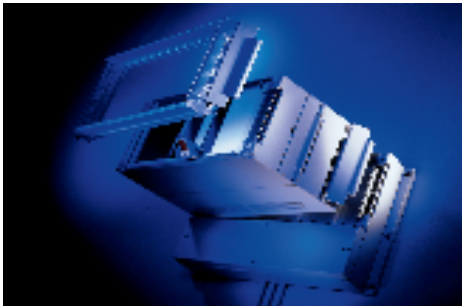


Further important information can be found on the internet
under www.schroff.biz



Cases - Products Phase-out

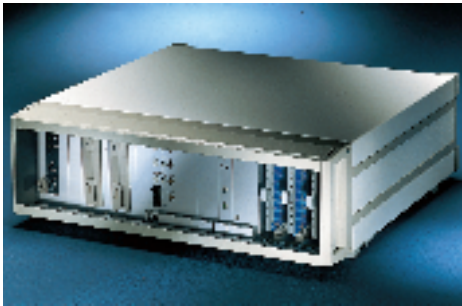
Products Phase-out



06499001

protega

- Available ex stock until September 2004
- From September 2004 at request
- No alternative
- Documentation protega - www.schroff.biz



01892001

ratiopac

- Available ex stock until September 2004
- From September 2004 project related production only lot size (min. 25 pieces)
- Alternative product:
ratiopac PRO –19" case see page 3.2
- Documentation ratiopac - www.schroff.biz



02594006 02592011

tecnopac

- Available ex stock until September 2004
- From September 2004 project related production only lot size (min. 25 pieces)
- Replacement product:
wall-mounted case **CONCEPTLINE** see page 3.82
- Documentation tecnopac - www.schroff.biz

Overview 3.110

Cases overview 3.0

ratiopacPRO 3.2

propac 3.28

compac 3.62

comptec 3.76

CONCEPTLINE 3.84

INLINE 3.92

Accessories 3.102

Front handles 3.100

Strap handles 3.103

Tip-up carrying

handles 3.104

Folding handles . . 3.105

Tray handles 3.106

Feets 3.107



Further important information can be found on the internet under www.schroff.biz



For further information ... www.schroff.biz