



Schroff®
MAIN CATALOG

Overview	0
Cabinets	1
Wall mounted cases	2
Accessories for cabinets and wall mounted cases	3
Climate control	4
Desk-top cases	5
Subracks/ 19" chassis	6
Front panels, plug-in units	7
Systems	8
Power supply units	9
Backplanes	10
Connectors, front panel component system	11
Appendix	12

Desk-top cases

ratiopac PRO

The universal case with 19" compatible dimensions e.g. for CompactPCI and VME64x applications

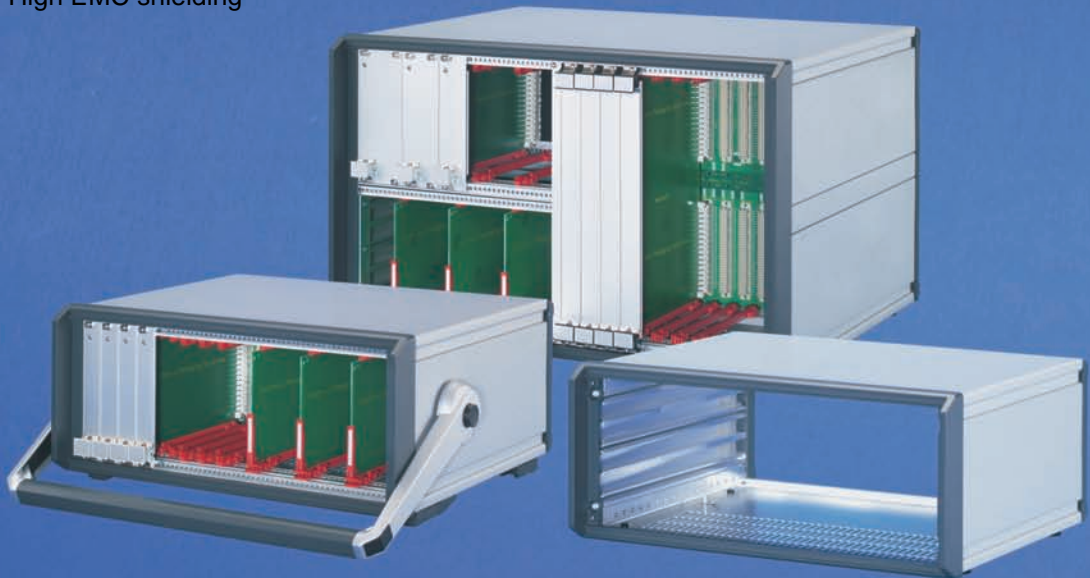
- Aluminium case
- Height 2 ... 7 U
- High EMC shielding



propac PRO

The robust case for 19" compatible or custom electronics assemblies

- Aluminium case with aluminium frame front
- Height 2 ... 6 U
- High EMC shielding



361009005 (12304003 10005004 05802001 06803006 05809001)

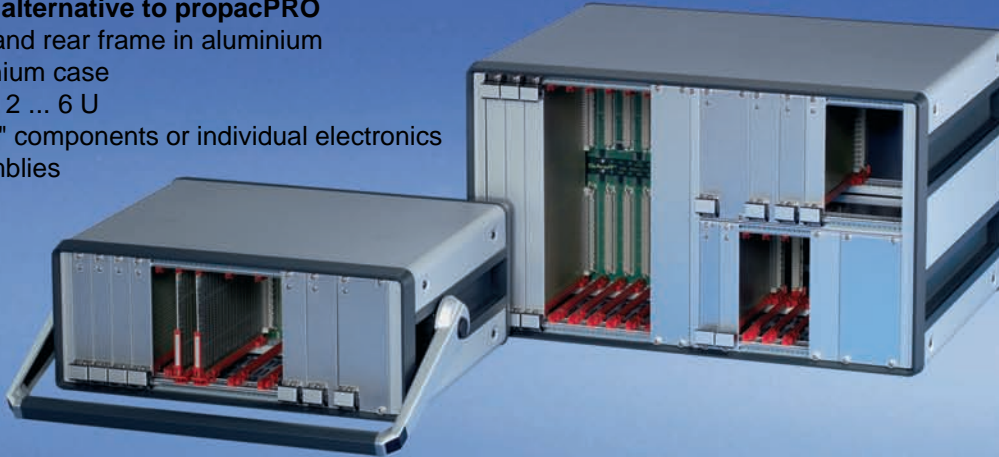
Desk-top cases

compacPRO

Desk-top or portable case

Design alternative to propacPRO

- Front and rear frame in aluminium
- Aluminium case
- Height 2 ... 6 U
- For 19" components or individual electronics assemblies



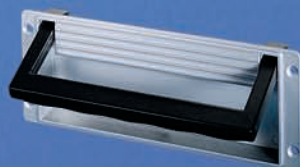
comptec

Case to house

19" subracks or 19" chassis

- Case with aluminium frame to front and rear
- High stability
- Height 3 ... 12 U
- Identical front and rear
- Internal mounting up to 40 kg
- Protection class IP 20

Accessories



Overview 5.0

Introduction .. 5.2

ServicePLUS .. 5.4

ratiopacPRO .. 5.6

propacPRO ... 5.44

compacPRO .. 5.76

comptec 5.100

Accessories

Handles 5.108

Strap handles ... 5.111

Tip-up carrying handles 5.112

Folding handles 5.113

Tray handles ... 5.114

Feet 5.115

ServicePLUS .. 5.4

Desk-top cases - Introduction

Case types: Desk-top enclosure/19" case



Desk-top enclosure,
ratiopacPRO

01810002



19" case, comptec

02202004

Desk-top enclosures

Our desk-top cases are used to house PCBs (euroboards) or individual components

The choice is yours:

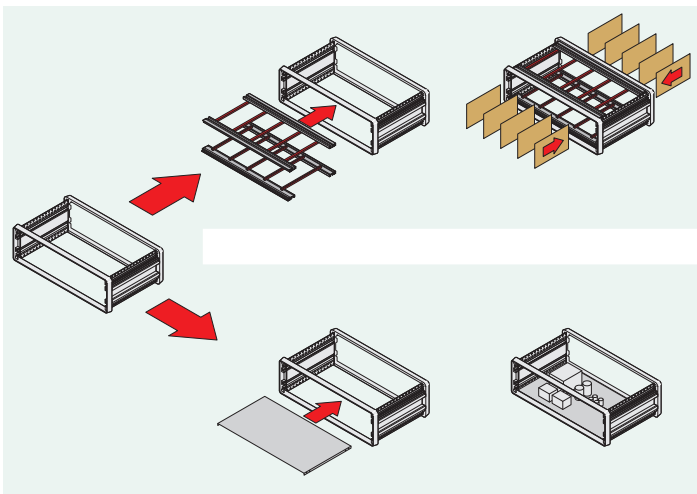
- ratiopacPRO, the universal case with 19" compatible dimensions and high EMC shielding, e.g. for CompactPCI and VME64x applications
- propacPRO, the robust case with high EMC shielding for 19"-compatible or custom electronics assemblies
- compacPRO, Desk-top or portable case for unshielded applications

19" cases

Our comptec cases are comparable with small cabinets and are used to house 19" components such as subracks, 19" fan trays or 19" front panels

All desk-top enclosures have a very low weight owing to the materials used and are also suitable for mobile use

Applications for desk-top enclosures



Example above: for euroboards, below: for individual installation

The most important user domains for desk-top enclosures are:

- Fitting with euroboards in accordance with IEC 60297



- Fitting with individual electrical or mechanical components, e.g. on mounting plates



One product platform and extensive accessories



05806008



05806006



02005003



02005006

- Practical technology without time-consuming assembly. The modular product platform of these cases allows a wide range of possible uses with only a small number of components.

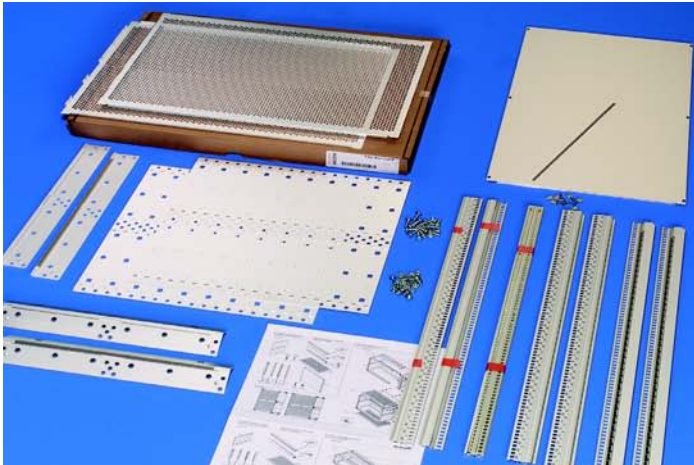
The intelligent design of all components results in an astonishingly quick and easy assembly of the components.

With our PRO product platform we offer you full compatibility of all individual components and accessories, also with our europacPRO subracks.

Standard desk-top enclosures can also be adapted easily and with little effort for mobile applications.

Desk-top cases - Introduction

Forms of delivery for desk-top enclosures



Flat pack delivery to save space

06104001

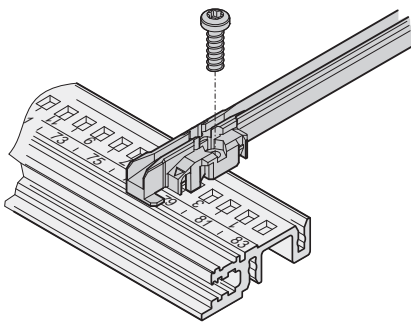
Supplied in space-saving packs. Simply unpack parts and screw together - done.

Depending on the kit chosen the threaded insert, the perforated rail or the EMC gasket is pre-assembled on the horizontal rail.

We offer you three forms of delivery:

- Pre-assembled kit for use with 160 mm deep euroboards, frame fitted, cladding parts and guide rails supplied loose.
- Pre-assembled kit for individual configuration, frame assembled, cladding parts supplied loose.
- Ready assembled cases to your specifications. With our ServicePLUS option you can order ready-assembled cases, with drilled holes and cut-outs and individual front panels - if necessary even by express service.

Guide rail



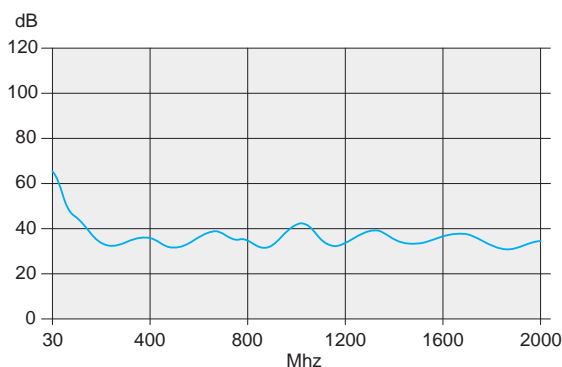
06108084

- Guide rails form the interface between the mechanics of the case and the electronics assembled (PCBs, plug-in units, frame type plug-in units, drive unit modules, etc.).

Robust snap-in fixings on the plastic rails assure that the components are held securely, even when exposed to vibrations.

Guide rails can also be screwed on.

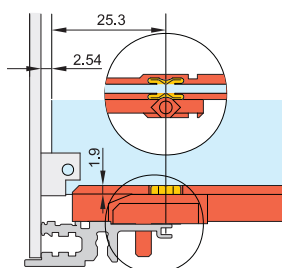
EMC and ESD



06108081

- Our case product platforms offer standard solutions for achieving electromagnetic compatibility (EMC) and to avoid electrostatic interference (ESD)
- Shielding on the front and rear of the case is effected by front panels with EMC gaskets
- To prevent electrostatic discharge when inserting PCBs, ESD contacts are clipped into the guide rails. These provide a conductive connection between board and case earth/ground
- Test reports are available on our website www.schroff.biz for download

Shielding



04503050

Position of the ESD clip

Desk-top cases – ServicePLUS



configuration

Simple. Fast. For the product you want.

Components can be varied and combined freely

- Online configuration: www.schroff.co.uk/configuration



assembly

Assembled by professionals. Double benefit!

Fitting of all mechanical, electrical and electronic components by our specialists

- Professional and reliable, without extra costs
- Ready for despatch within 10 working days



modification

Small changes. Large impact.

Custom drillings, cut-outs and special colours for off-the-shelf products

- CAD data are available for you to download and further modify from our website www.schroff.biz
- Ready for despatch within 10 working days



solution

Simple. Fast. From one source.

Integration and custom developments

- Flowtherm simulation to calculate heat paths; verification in our own climate lab
- Special sizes, custom solutions



express

When fast has to be faster.

Delivery time to customer's request

- ServicePLUS assembly ready for despatch within 10 working days
- ServicePLUS modification and ServicePLUS solution ready for despatch within 15 working days



academy

Knowledge. Sharing. Partnerships.

Knowledge transfer and partnership

- Seminars held centrally or at your site.
- CAD drawings, test reports, user manuals

Desk-top cases - ServicePLUS

Application examples



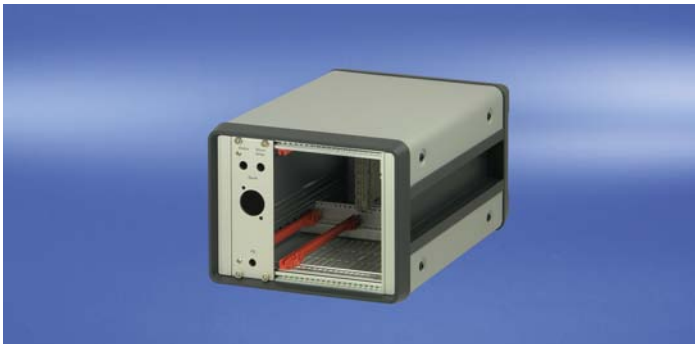
01809001

Application: ratiopacPRO-air case in special colour, shielded board cage, filter mat top and bottom



01809003

Application: ratiopacPRO-air case with processed front and rear panels



02009001

Application: compacPRO case, modified



02009003

Application: compacPRO case with fitted horizontal rail with lip and hinged front panel



02009002

Application: compacPRO case with fitted horizontal rail with lip and folding front panel



02009004

Application: compacPRO with tip-up carrying handle and front panel (without visible screws)



02109001

Application: inpac case with hinged and modified front and rear panels



05809005

Application: propacPRO, EMC case in special colour with mounting plates for individual construction

Overview 0

Cabinets 1

Wall mounted cases 2

Accessories for cabinets and wall mounted cases 3

Climate control 4

Desk-top cases 5

Subracks/ 19" chassis ... 6

Front panels, plug-in units .. 7

Systems 8

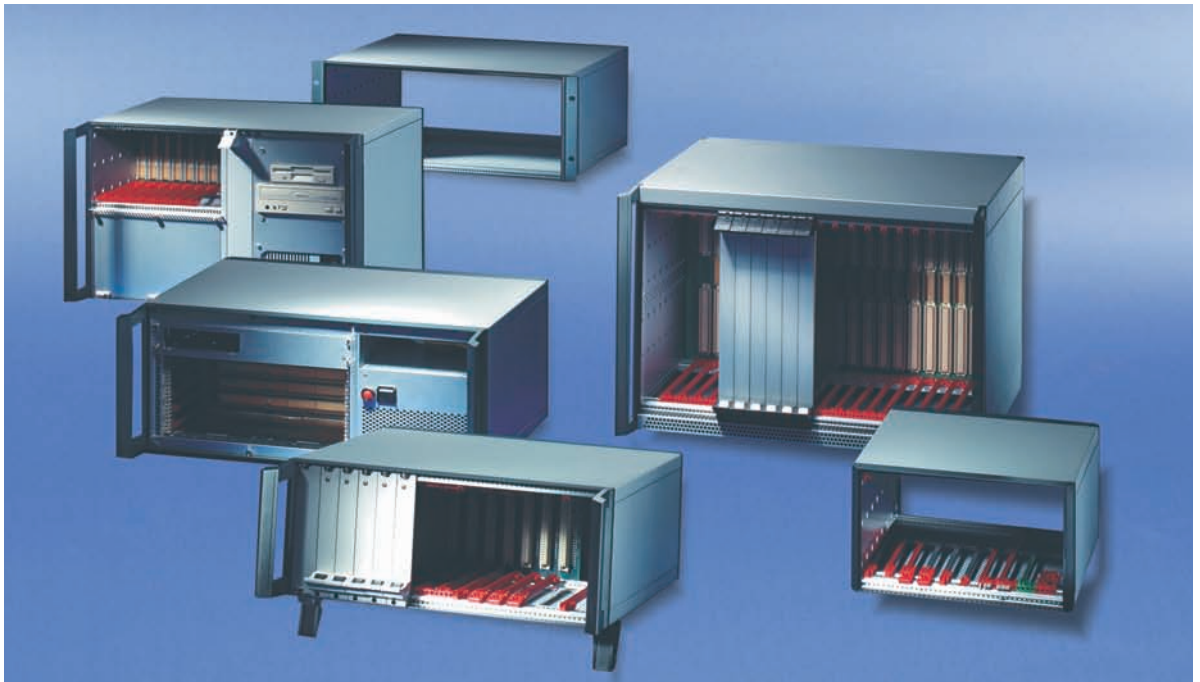
Power supply units 9

Backplanes .. 10

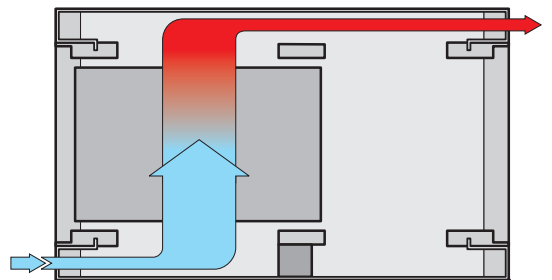
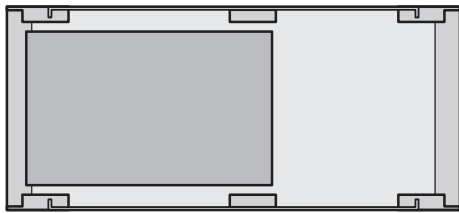
Connectors, front panel component system 11

Appendix 12

Desk-top cases - *ratiopac*PRO



06800002



06801005

ratiopacPRO

Designed for insertion/extractor handles in accordance with IEC 60297-3-102 and IEEE 1101.10 for CompactPCI and VME64x applications

ratiopacPRO air

Designed for insertion/extractor handles in accordance with IEC 60297-3-102 and IEEE 1101.10 for CompactPCI and VME64x applications; 1 U extra for ventilation (1/2 U top, 1/2 U bottom)

Standards

- Inner and outer dimensions in accordance with:
IEC 60297-3-101 / IEEE 1101.1
IEC 60297-3-102 / IEEE 1101.10/11
- Type of protection IP20 in accordance with IEC 60529
- Earthing connections in accordance with:
DIN EN 50178 / VDE 0160
DIN EN 60950 / VDE 0805
DIN EN 61010-1 / VDE 0411 part 1
DIN EN 61010-1A2 / VDE 0411 part 1/A1
- EMC testing in accordance with VG 95373 part 15



06812001

Case with mounting plate



06800015

Prepared for CompactPCI and VME64x applications



Downloads and further important information can be found on the Internet under www.schroff.biz

The universal case with 19" compatible dimensions
e.g. for CompactPCI, VME64x and other applications

- Base level of shielding in basic versions upwards, additional EMC shielding can be retrofitted
- Symmetrical construction, identical front and rear (identical board cage for ratiopacPRO and ratiopacPRO air)
- Converts simply from desktop to 19" rack-mounted case and back
- No visible screws; cladding parts removable without tools

ratiopacPRO
 Complete cases . 5.8
 Dimensions 5.9
 Cases 5.10
 Tower cases 5.12

ratiopacPRO air
 Cases 5.14
 Complete cases . 5.13
 Dimensions 5.16
 Radial fan units . 5.17
 EMC gasketing .. 5.18

Accessories
 Front panels 5.21
 Rear panels 5.22
 Feet 5.23
 Air filters 5.23
 GND/earthing kit . 5.24
 Front handles ... 5.24
 19" brackets 5.25
 Cable holder. ... 5.26
 Compartment
 seals..... 5.26
 Strap handles ... 5.26
 Tip-up carrying
 handles 5.27
 Assembly kit. ... 5.28
 Fitting position
 of horizontal rails
 5.29
 Horizontal rails.. 5.31
 Threaded
 inserts,
 perforated strips,
 insulation strips . 5.35
 Z-rails,
 perforated rails. . 5.35
 Divider plates ... 5.36
 Mounting plates . 5.37
 Horizontal board
 assembly 5.38
 Combined
 mounting 5.39
 Guide rails and
 ESD clips 5.40

ServicePLUS.. 5.4



06800005

ratiopacPRO

- Case with cover strip, front handles or 19" brackets (height 2 U ... 6 U)
- Complete case with cover strip and pre-mounted components, with basic shielding (height 3 U, 6 U), additional EMC shielding retrofittable
- Tower case (width 4 U)



06800005

ratiopacPRO air

- ratiopacPRO air with additional 1 U height for ventilation
- Case with cover strips, front handles or 19" brackets (height 4 U, 5 U, 7 U)
- Complete case with cover strips and pre-mounted components, with basic shielding (height 4 U, 7 U), additional EMC shielding retrofittable

ServicePLUS from page 5.4

- e.g. modifications (special colours or sizes)
- e.g. custom solutions (cut-outs in top cover, base plate or side panels)
- e.g. assembly service from 1 piece

www.schroff.biz/ServicePLUS



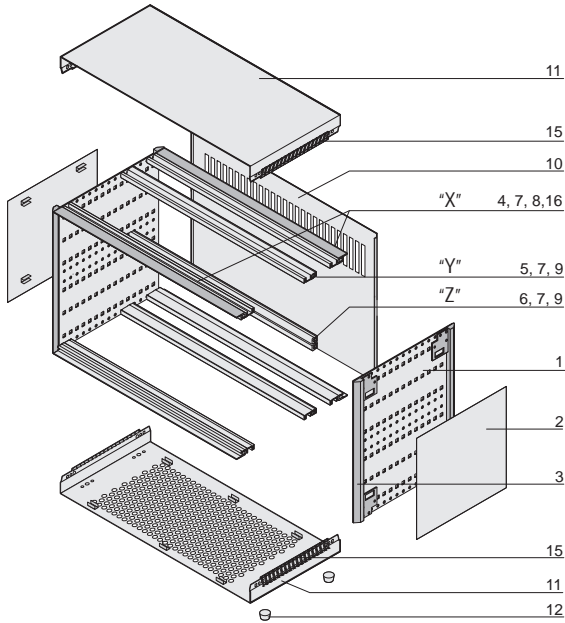
30407004

Desk-top cases - *ratiopac* PRO

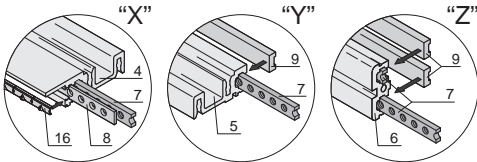
ratiopacPRO complete cases



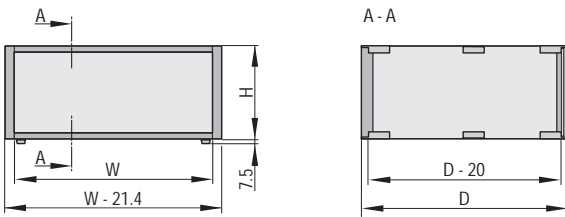
06812003



01802050

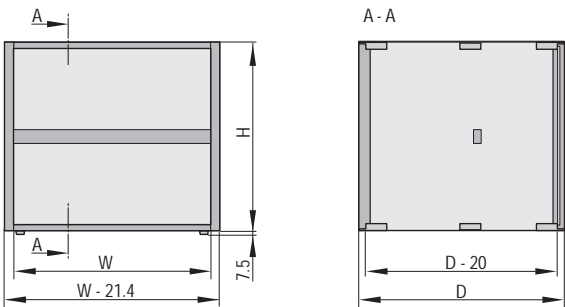


01808055



01808051

3 U



01808052

6 U

- Desk-top enclosure with pre-configured components, in accordance to IEC 60297-3-101; prepared for 19" components, e.g. plug-in units and euroboards
- Ventilation slit in base plate
- Rear panel perforated

Delivery comprises (in kit form)

Item	Qty		Description
	without EMC	with EMC	
1	2	2	Side panel, Al, 2 mm, passivated
2	2	2	Side plate, Al, 1 mm, visible surfaces RAL 9006
3	4	4	Cover strip, Al die-cast, RAL 7016, pre-fitted only on EMC version
4	4	4	Horizontal rail, type H-LD, Al, visible surfaces RAL 7016
5	2	2	Horizontal rail, centre (top/bottom), type H-ST, Al
6	1	1	Horizontal rail, centre (on 6 U only), type ST, Al
7	6/8	6/8	3 U/6 U: threaded inserts, St, pre-mounted, for indirect backplane mounting with insulation strips
8	-	4	Perforated strip, Al, 1 mm, pre-fitted
9	4	4	Insulation strip, PBT, UL 94 V-0
10	1	1	Rear panel, perforated, Al, 2.5 mm
11	2	2	Top cover and base plate, Al, 1 mm, internal surfaces conductive, visible surfaces RAL 9006, with GND/earthing connection, base plate with honeycomb grid ventilation
12	4	4	Case foot with anti-slip protection, UL 94 V-0, PC black
14	-	1	EMC support profile for side panel, pre-mounted (kit)
15	-	4	EMC contact strip for cover plate, pre-mounted (kit)
16	-	4	EMC contact strip front panel - horizontal rails
17	1	1	GND/earthing kit, assembly kit

Order Information

U	Height H	Width W	Depth D	Unshielded	EMC shielded
				Part no.	Part no.
3	28	28	255.5	24572-001	24572-050
3	42	42	255.5	24572-002	24572-051
3	42	42	315.5	24572-003	24572-052
3	63	63	315.5	24572-004	24572-053
3	84	84	315.5	24572-005	24572-054
3	84	84	375.5	24572-006	24572-055
3	84	84	435.5	24572-007	24572-056
6	42	42	315.5	24572-015	24572-064
6	63	63	315.5	24572-016	24572-065
6	84	84	315.5	24572-017	24572-066
6	84	84	375.5	24572-018	24572-067
6	84	84	435.5	24572-019	24572-068

Note

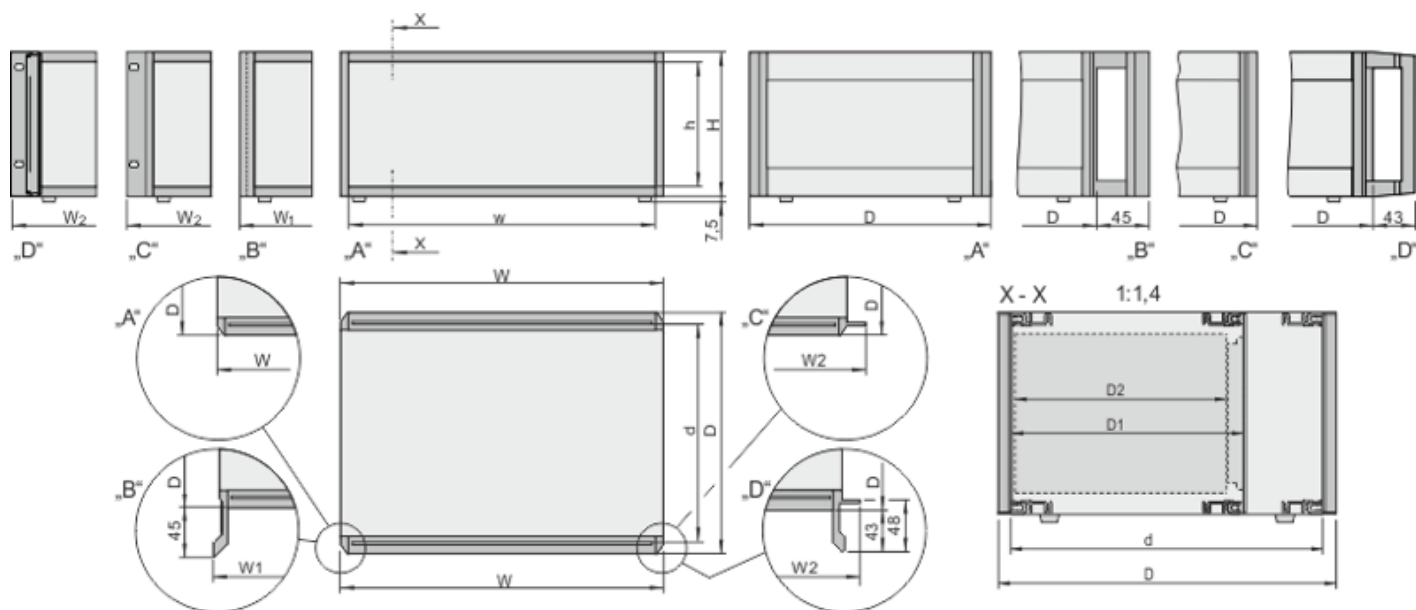
- Dimension drawings and mounting depths see page 5.9
- Components see page 5.18
- Front handles and 19" mounting brackets from page 5.24
- Guide rails from page 5.40



ServicePLUS see page 5.4

Desk-top cases - *ratiopac PRO*

Dimension drawings ratiopacPRO



RatiopacPRO with A - bezel; B - front handle; C - 19" mounting bracket; D - 19" mounting bracket with front handle

rppr6637

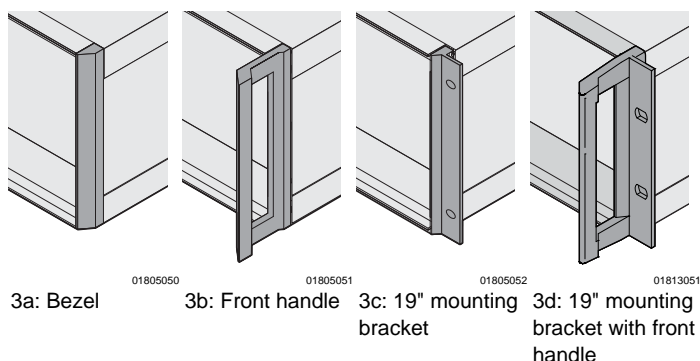
Dimensions table ratiopacPRO

Height		Width						Depth			
in U	H in mm	h in mm	w in HP	W in mm	w1 in mm	w2 in mm	w in mm	D Total depth in mm	d Useable depth in mm	D1 Plug-in depth in mm	d2 Board depth in mm
2	88.10	67.90	28	164.42	177.62	198.12	142.82	255.5	235.5	175.5	160
			42	235.54	248.74	269.24	213.94			235.5	220
			63	342.42	355.42	375.92	320.62			175.5	160
			84	448.90	462.10	482.60	427.30			235.5	220
3	132.55	112.35	28	164.42	177.62	198.12	142.82	315.5	295.5	295.5	280
			42	235.54	248.74	269.24	213.94			175.5	160
			63	342.42	355.42	375.92	320.62			235.5	220
			84	448.90	462.10	482.60	427.30			295.5	280
4	177.00	156.80	28	164.42	177.62	198.12	142.82	375.5	355.5	355.5	340
			42	235.54	248.74	269.24	213.94			175.5	160
			63	342.42	355.42	375.92	320.62			235.5	220
			84	448.90	462.10	482.60	427.30			295.5	280
5	221.45	201.25	28	164.42	177.62	198.12	142.82	435.5	415.5	355.5	340
			42	235.54	248.74	269.24	213.94			175.5	160
			63	342.42	355.42	375.92	320.62			235.5	220
			84	448.90	462.10	482.60	427.30			295.5	280
6	265.90	245.70	28	164.42	177.62	198.12	142.82	495.5	475.5	355.5	340
			42	235.54	248.74	269.24	213.94			175.5	160
			63	342.42	355.42	375.92	320.62			235.5	220
			84	448.90	462.10	482.60	427.30			295.5	280

Components mountable in 15 mm depth grid

Desk-top cases - *ratiopac* PRO

RatiopacPRO case



- Cases for individual assembly with 19" standard components or specific internal mounting, e.g. with mounting plate
- Unshielded (EMC shielding retrofittable)
- Symmetrical design, identical front and rear side
- Four versions:
 - Bezels
 - Front handles
 - 19" mounting brackets
 - 19" mounting brackets with front handles
- For board depth 160 mm, 220 mm, 280 mm, and 340 mm (depending on case depth)

Delivery comprises (kit)

Item	Qty	Description
1	2	Side panel, Al, 2 mm, chromated
2	2	Side plate, Al, 1 mm, visible surfaces powder-coated, RAL 9006
3	2	Rear trim, Al die-cast, powder-coated, RAL 7016
3a	2	Bezel, Al die-cast, powder-coated, RAL 7016
3b	2	Front handle, Al die-cast, powder-coated, RAL 7016
3c	2	19" mounting bracket, Al diecast, powder-coated, RAL 7016
3d	2	19" mounting bracket with front handle, Al diecast, powder-coated, RAL 7016
4	4	Horizontal rail, type H-LD, Al, visible surfaces powder-coated, RAL 7016
11	2	Top cover and base plate, Al, 1 mm, inner sides conductive, visible surfaces powder-coated, RAL 9006, with GND/earthing connections, base plate with honeycomb grid ventilation
12	4	Case foot with anti-slip protection, UL 94 V-0, PC black
13	1	Fixing materials kit

3a, 3b, 3c or 3d according to selection

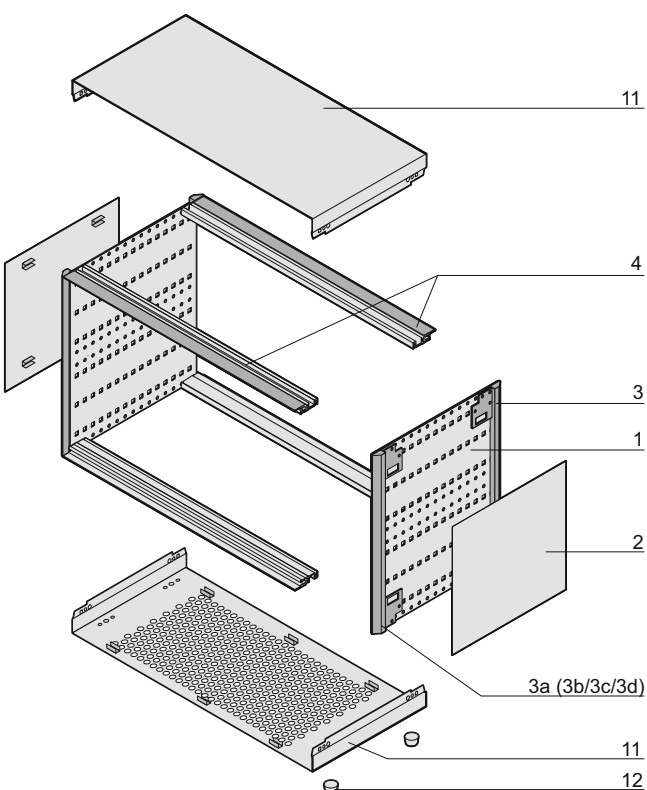
Note

- Order information, see following page

Order Information

Accessories

Earthing kit CU wire, 1.5 mm ² , PVC sleeve, green/yellow, 1 kit	24571-380
Al diecast foot with tip-up silver, 1 piece (SPQ 10)	10603-002
Plastic tip-up foot silver, similar to RAL 9006, PU 4 pieces	20603-001
Plastic tip-up foot anthracite, similar to RAL 7016, 4 pieces	20603-002
Stacking aid silver, similar to RAL 9006, PA, UL 94 V-0, PU 4 pieces	20603-004
Stacking aid anthracite, similar to RAL 7016, PA, UL 94 V-0, PU 4 pieces	20603-003



Drawing with front cover strip

01813065



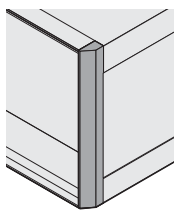
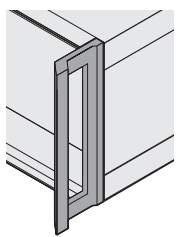
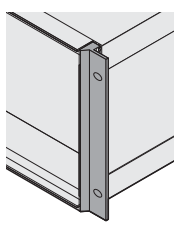
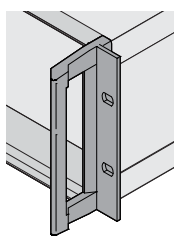
ServicePLUS see page 5.4



For further information www.schroff.biz/oneclick
oneClick search code = Part no.

Desk-top cases - *ratiopac* PRO

RatiopacPRO case

	Width W HP	Depth D mm	Case height H					
			2 U		Side panel subdivision			
			Part no.	Part no.	Part no.	Part no.		Part no.
						(1 U-3 U-1 U)	(3 U-2 U)	
			1	3	2			
Cover strips 	28	255.5	24572-500	24571-002	24571-050	24572-117	24572-261	24571-098
	28	315.5	24572-503	24571-005	24571-053	24572-120	24572-264	24571-101
	42	255.5	24572-510	24571-014	24571-062	24572-129	24572-273	24571-110
	42	315.5	24572-513	24571-017	24571-065	24572-132	24572-276	24571-113
	42	255.5	24572-514	24571-018	24571-066	24572-133	24572-277	24571-114
	63	255.5	24572-520	24571-026	24571-074	24572-141	24572-285	24571-122
	63	315.5	24572-523	24571-029	24571-077	24572-144	24572-288	24571-125
	63	375.5	24572-524	24571-030	24571-078	24572-145	24572-289	24571-126
	84	255.5	24572-530	24571-038	24571-086	24572-153	24572-297	24571-134
	84	315.5	24572-533	24571-041	24571-089	24572-156	24572-300	24571-137
	84	375.5	24572-534	24571-042	24571-090	24572-157	24572-301	24571-138
	84	435.5	24572-535	24571-043	24571-091	24572-158	24572-302	24571-139
	84	495.5	24572-536	24571-044	24571-092	24572-159	24572-303	24571-140
	RPPR6629							
Front handles 	28	255.5	–	24571-702	24571-750	24572-213	24572-357	24571-798
	28	315.5	–	24571-705	24571-753	24572-216	24572-360	24571-801
	42	255.5	–	24571-714	24571-762	24572-225	24572-369	24571-810
	42	315.5	–	24571-717	24571-765	24572-228	24572-372	24571-813
	42	375.5	–	24571-718	24571-766	24572-229	24572-373	24571-814
	63	255.5	–	24571-726	24571-774	24572-237	24572-381	24571-822
	63	315.5	–	24571-729	24571-777	24572-240	24572-384	24571-825
	63	375.5	–	24571-730	24571-778	24572-241	24572-385	24571-826
	84	255.5	–	24571-738	24571-786	24572-249	24572-393	24571-834
	84	315.5	–	24571-741	24571-789	24572-252	24572-396	24571-837
	84	375.5	–	24571-742	24571-790	24572-253	24572-397	24571-838
	84	435.5	–	24571-743	24571-791	24572-254	24572-398	24571-839
	84	495.5	–	24571-744	24571-792	24572-255	24572-399	24571-840
	0180500							
19" mounting brackets 	84	255.5	24572-570	24571-438	24571-486	24572-201	24572-345	24571-534
	84	315.5	24572-573	24571-441	24571-489	24572-204	24572-348	24571-537
	84	375.5	24572-574	24571-442	24571-490	24572-205	24572-349	24571-538
	84	435.5	24572-575	24571-443	24571-491	24572-206	24572-350	24571-539
	84	495.5	24572-576	24571-444	24571-492	24572-207	24572-351	24571-540
	0180502							
19" mounting brackets with front handles 	84	255.5	24572-620	24572-630	24572-640	–	–	24572-660
	84	315.5	24572-623	24572-633	24572-643	–	–	24572-663
	84	375.5	24572-624	24572-634	24572-644	–	–	24572-664
	84	435.5	24572-625	24572-635	24572-645	–	–	24572-665
	84	495.5	24572-626	24572-636	24572-646	–	–	24572-666
	01813051							

Note

- Dimension drawings and mounting depths see page 5.9
- Components see page 5.18

Desk-top cases - *ratiopac* PRO

ratiopacPRO tower with 4 U width



06802001

- Symmetrical design, identical front and rear side
- Mounting space 4 U, 84 HP, depth 475 mm
- Case based on ratiopacPRO
- Unshielded (EMC shielding retrofittable)

Delivery comprises (in kit form)

Item	Qty	Description
1	2	Base/top cover, Al, 2 mm, passivated
2	4	Horizontal rail, type H-LD, Al, visible surface powder-coated, RAL 7016
3	4	Cover, Al die-cast, RAL 7016
4	2	Lateral cover plate, Al, 1 mm, with GND/earthing connection, visible surfaces powder-coated, internal surface conductive, RAL 9006
5	1	Top cover plate, Al, 1 mm, visible surface powder-coated, RAL 9006
6	2	Case foot with anti-slip protection, Al, powder-coated, RAL 7016
7	1	Assembly kit

Order Information

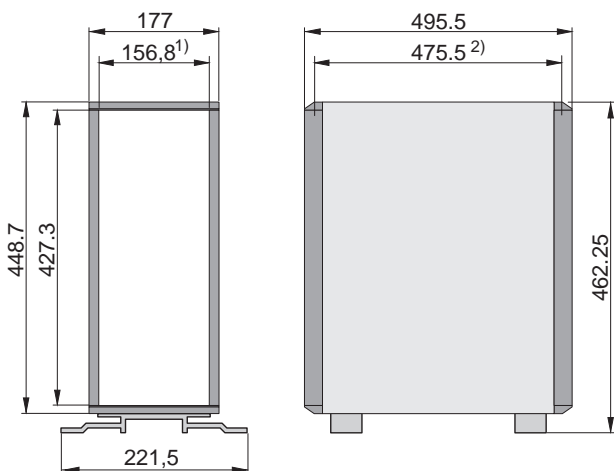
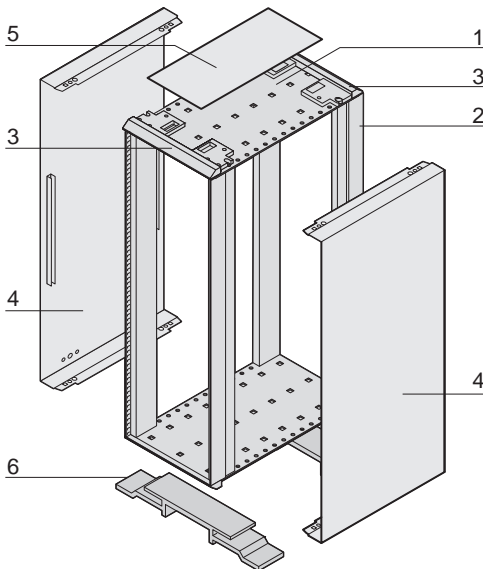
Width	Part no.
4 U	
4	24571-395

Note

- Components see page 5.18



For further information www.schroff.biz/oneclick
oneClick search code = Part no.



01802054

- 1) = open space between the horizontal rails
2) = max. mounting depth



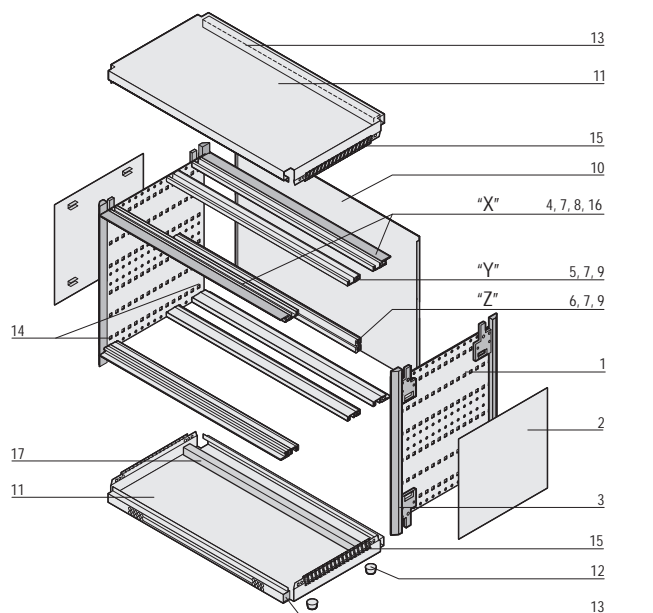
ServicePLUS see page 5.4

Desk-top cases - *ratiopacPRO* air

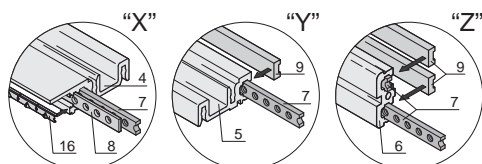
ratiopacPRO air complete cases



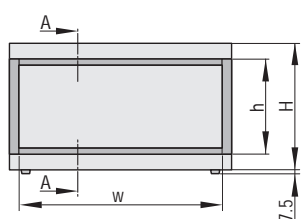
06811001



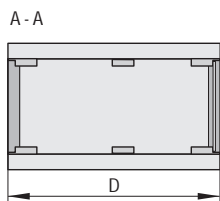
01802052



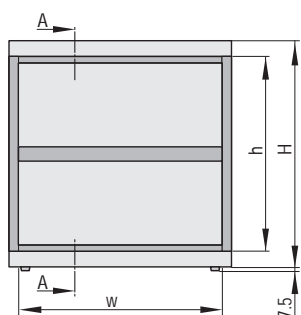
01808055



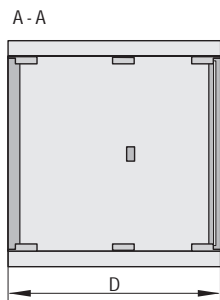
01808053



3 U



01808054



6 U

- The case has 2 x 1/2 U clearance for ventilation
- Case with cover strip; with pre-mounted components for euroboards and backplane with insulation strip; no visible screws
- Symmetrical design, identical front and rear honeycomb grid ventilation in top cover and base plate
- Available in two versions:
 - unshielded (EMC shielding retrofittable)
 - with EMC shielding fitted

Delivery comprises (in kit form)

Item	Qty		Description
	without EMC	with EMC	
1	2	2	Side panel, Al, 2 mm, passivated
2	2	2	Side plate, Al, 1 mm, visible surface RAL 9006
3	4	4	Cover, die-cast zinc, RAL 7016, pre-mounted on EMC version only
4	4	4	Horizontal rail, type H-LD, Al, visible surface RAL 7016
5	2	2	Horizontal rail, centre (top/bottom), type H-ST, Al
6	1	1	Horizontal rail, centre (on 6 U only), type ST, Al
7	6/8	6/8	4 U/7 U: threaded inserts, St, pre-mounted, for indirect backplane mounting with insulation strips
8	-	4	Perforated strip, pre-mounted
9	4	4	Insulation strip, PBT, UL 94 V-0
10	1	1	Rear panel, Al, 2.5 mm
11	2	2	Top cover and base plate with honeycomb grid ventilation, Al, 1 mm, internal surface conductive, visible surface RAL 9006, with GND/earthing connection
12	4	4	Case foot with anti-slip protection, UL 94 V-0, PC, black
13	2	2	Air filter
14	-	1	EMC support profile for side panel, fitted (kit)
15	-	4	EMC contact strip for cover plate, pre-mounted (kit)
16	-	4	EMC contact strip front panel - horizontal rails
17	1	1	Compartment seal, PE foam, self-adhesive, temperature range -20 °C ... +85 °C
18	1	1	GND/earthing kit, assembly kit

Order Information

Case height H	PCB height h	Width w	Depth D	Unshielded Part no.	EMC shielded Part no.
U	U	HP	mm		
4	3	28	255.5	24572-025	24572-074
4	3	42	255.5	24572-026	24572-075
4	3	42	315.5	24572-027	24572-076
4	3	63	315.5	24572-028	24572-077
4	3	84	315.5	24572-029	24572-078
4	3	84	375.5	24572-030	24572-079
4	3	84	435.5	24572-031	24572-080
7	6	42	315.5	24572-040	24572-088
7	6	63	315.5	24572-041	24572-089
7	6	84	315.5	24572-042	24572-090
7	6	84	375.5	24572-043	24572-091
7	6	84	435.5	24572-044	24572-092

Note

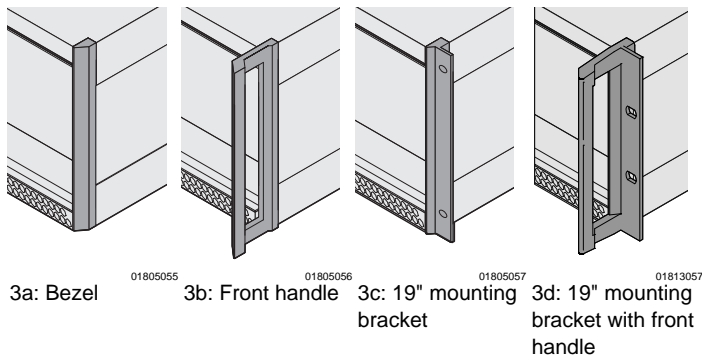
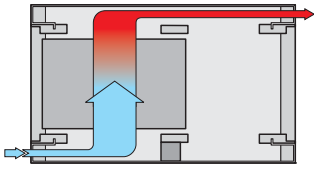
- Dimension drawings and mounting depths see page 5.16
- Components see page 5.18
- Front handles and 19" mounting brackets from page 5.24
- Guide rails from page 5.40



ServicePLUS see page 5.4

Desk-top cases - *ratiopac*PRO air

RatiopacPRO air case



- The case has 2 x 1/2 U clearances for ventilation beneath and above the board cage
- Cases for individual assembly with 19" standard components or specific internal mounting, e.g. with mounting plate
- Unshielded (EMC shielding retrofittable)
- Symmetrical design, identical front and rear side
- For board depth 160 mm, 220 mm, 280 mm, and 340 mm (depending on case depth)
- Online download of 3D CAD data
- Four versions:
 - Bezels
 - Front handles
 - 19" mounting brackets
 - With 19" mounting brackets and front handles

Delivery comprises (in kit form)

Item	Qty	Description
1	2	Side panel, Al, 2 mm, chromated
2	2	Side plate, Al, 1 mm, visible surfaces powder-coated, RAL 9006
3	2	Rear trim, Al die-cast, powder-coated, RAL 7016
3a	2	Bezel, Al die-cast, powder-coated, RAL 7016
3b	2	Front handle, Al die-cast, powder-coated, RAL 7016
3c	2	19" mounting angle, Al die-cast, powder-coated, RAL 7016
3d	2	19" mounting bracket with front handle, Al diecast, powder-coated, RAL 7016
4	4	Horizontal rail, type H-LD, Al, visible surfaces powder-coated, RAL 7016
11	2	1 Top cover and base plate, Al, 1 mm, internal surfaces conductive, visible surfaces powder-coated, RAL 9006, with GND/earthing connection, top cover and base plate with ventilation comb
12	4	Case foot with anti-slip protection, UL 94 V-0, PC black
13	2	Air filters
14	1	Fixing materials kit

3a, 3b, 3c or 3d according to selection

Note

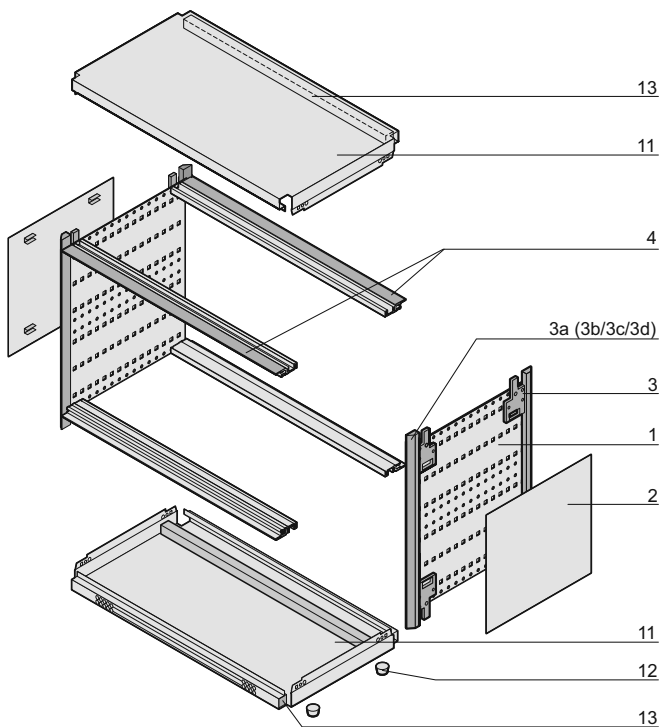
- Order information see following page

Order Information

Accessories	
Earthing kit CU wire, 1.5 mm ² , PVC sleeve, green/yellow, 1 kit	24571-380
Al diecast foot with tip-up silver, 1 piece (SPQ 10)	10603-002
Plastic tip-up foot silver, similar to RAL 9006, PU 4 pieces	20603-001
Plastic tip-up foot anthracite, similar to RAL 7016, 4 pieces	20603-002
Stacking aid silver, similar to RAL 9006, PA, UL 94 V-0, PU 4 pieces	20603-004
Stacking aid anthracite, similar to RAL 7016, PA, UL 94 V-0, PU 4 pieces	20603-003



For further information www.schroff.biz/oneclick
oneClick search code = Part no.



Drawing with front cover strip

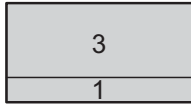
01813066



ServicePLUS see page 5.4

Desk-top cases - *ratiopac* **PRO** air

RatiopacPRO air case

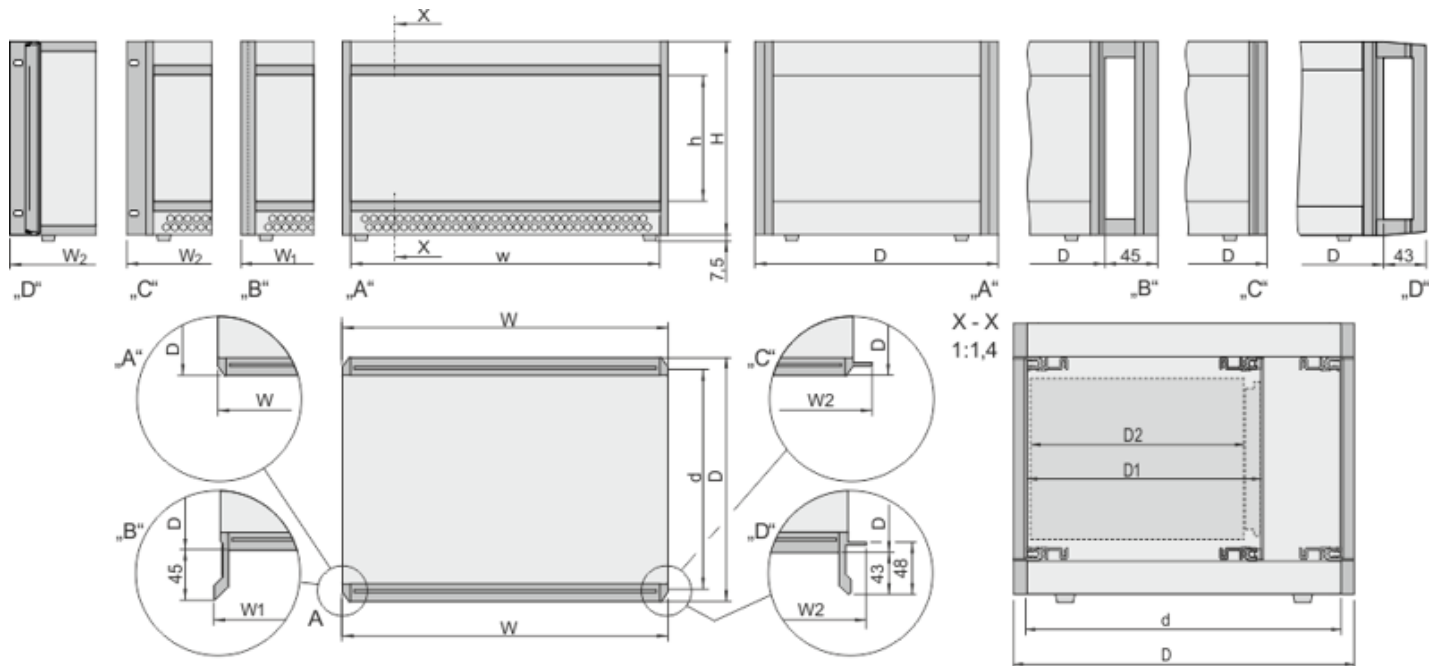
	Width W	Depth D	Case height H			
			4 U	5 U	7 U	
			PCB height h			
						
	HP	mm	Part no.	Part no.	Part no.	
Bezels						
		28	255.5	24571-146	24571-194	24571-242
		28	315.5	24571-149	24571-197	24571-245
		42	255.5	24571-158	24571-206	24571-254
		42	315.5	24571-161	24571-209	24571-257
		42	375.5	24571-162	24571-210	24571-258
		63	255.5	24571-170	24571-218	24571-266
		63	315.5	24571-173	24571-221	24571-269
		63	375.5	24571-174	24571-222	24571-270
		63	435.5	24571-175	24571-223	24571-271
		84	255.5	24571-182	24571-230	24571-278
		84	315.5	24571-185	24571-233	24571-281
		84	375.5	24571-186	24571-234	24571-282
		84	435.5	24571-187	24571-235	24571-283
		84	495.5	24571-188	24571-236	24571-284
01805055						
Front handles		28	255.5	24571-846	24571-894	24571-942
		28	315.5	24571-849	24571-897	24571-945
		42	255.5	24571-858	24571-906	24571-954
		42	315.5	24571-861	24571-909	24571-957
		42	375.5	24571-862	24571-910	24571-958
		42	435.5	24571-863	24571-911	24571-959
		63	315.5	24571-873	24571-921	24571-969
		63	375.5	24571-874	24571-922	24571-970
		63	435.5	24571-875	24571-923	24571-971
		84	255.5	24571-882	24571-930	24571-978
		84	315.5	24571-885	24571-933	24571-981
		84	375.5	24571-886	24571-934	24571-982
		84	435.5	24571-887	24571-935	24571-983
		84	495.5	24571-888	24571-936	24571-984
	01805056					
19" mounting brackets		84	255.5	24571-582	24571-630	24571-678
		84	315.5	24571-585	24571-633	24571-681
		84	375.5	24571-586	24571-634	24571-682
		84	435.5	24571-587	24571-635	24571-683
		84	495.5	24571-588	24571-636	24571-684
01805057						
With 19" mounting brackets and front handles		84	255.5	24572-670	–	24572-690
		84	315.5	24572-673	–	24572-693
		84	375.5	24572-674	–	24572-694
		84	435.5	24572-675	–	24572-695
		84	495.5	24572-676	–	24572-696
01805057						

Note

- Dimension drawings and mounting depths see page 5.16
- Components see page 5.18

Desk-top cases - *ratiopac*PRO air

RatiopacPRO air dimension drawings



01805058

RatiopacPRO air with A - bezel; B - front handle; C - 19" mounting bracket; D - 19" mounting bracket with front handle

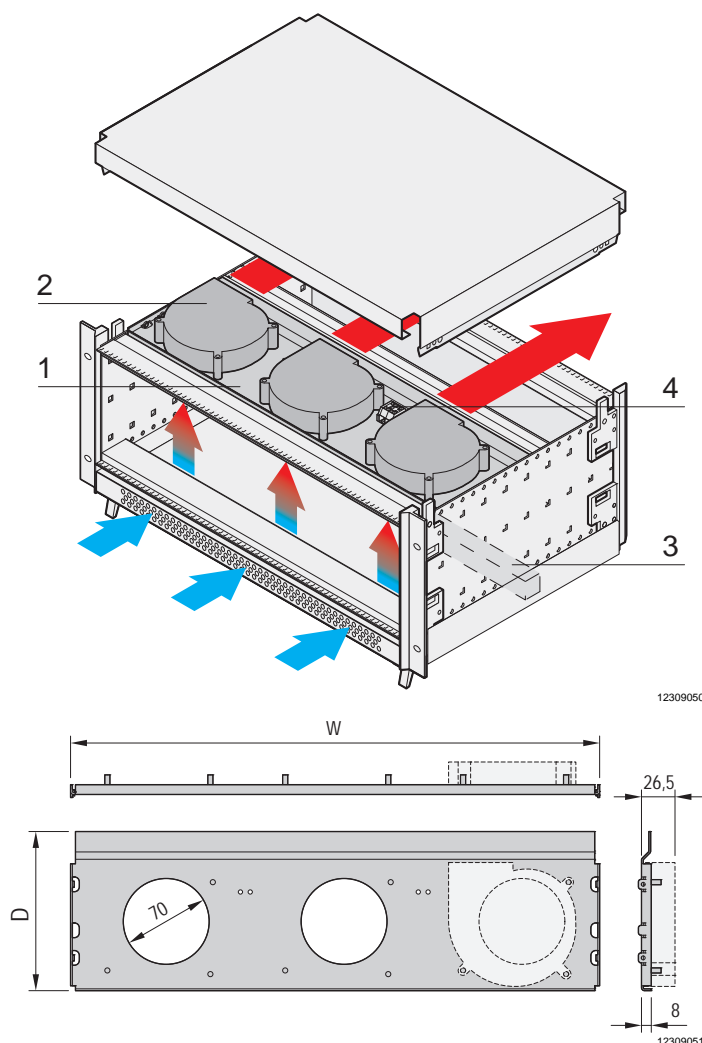
Dimensions table RatiopacPRO air

Height		Width						Depth			
in U	H in mm	H in mm	in HP	W in mm	W1 in mm	W2 in mm	w in mm	D Total depth in mm	d Usable depth in mm	D1 Plug-in depth in mm	d2 Board depth in mm
4	177.00	112.35	28	164.42	177.62	198.12	142.82	255.5	235.5	175	160
			42	235.54	248.74	269.24	213.94			235	220
			63	342.42	355.42	375.92	320.62			175	160
			84	448.90	462.10	482.60	427.30			235	220
5	221.45	156.80	42	235.54	248.74	269.24	213.94	315.5	295.5	295	280
			63	342.42	355.42	375.92	320.62			175	160
			84	448.90	462.10	482.60	427.30			235	220
7	310.35	245.70	42	235.54	248.74	269.24	213.94	375.5	355.5	295	280
			63	342.42	355.42	375.92	320.62			355	340
			84	448.90	462.10	482.60	427.30			175	160
										235	220
435.5	415.5	295	280								
		355	340								
		175	160								
495.5	475.5	235	220								
		295	280								
		355	340								
		175	160								

Components mountable in 15 mm depth grid

Desk-top cases - *ratiopac*PRO air

Radial fan unit for ratiopacPRO air



Depth D: 129.8 / 189.9 mm for 160 mm / 220 mm euroboards

- Only 1/2 U height
- Ball-bearing radial fans
- Fan holder in 4 widths and 2 depths
- Air capacity 36 m³/h (free blowing) per fan
- Air exhaust via perforation in cover plate
- No mechanical modification to case necessary
- Simple mounting
- No restriction to rear mounting space

Delivery comprises (Kit)

Item	Qty	Description
1	1	Fan support, Al, 1.5 mm, with crimp sockets for mounting the fans
2	1-3	Radial fan, ball bearing, 12 V _{DC} ; airflow volume (50 Hz) 36 m ³ /h, free blowing; power consumption 6.7 W; connecting cable 300 mm, without plug (AWG 26); noise level in dB (A): 47.0; max. static pressure in Pa: 190; max. ambient temperature: 60 °C; fan housing and rotor: UL 94 V-0
3	1	Compartment seal, PE foam, UL 94, self-adhesive, temperature range -20 °C ... +85 °C
4	1	Terminal clamp, UL 90 V-0
5	1	Assembly kit

Order Information

Width HP	Width mm	Number of fans	Part no. for PCB depth	
			160 mm	220 mm
28	146.87	1	24572-404	24572-408
42	218.00	1	24572-405	24572-409
63	324.67	2	24572-406	24572-410
84	431.35	3	24572-407	24572-411

Note

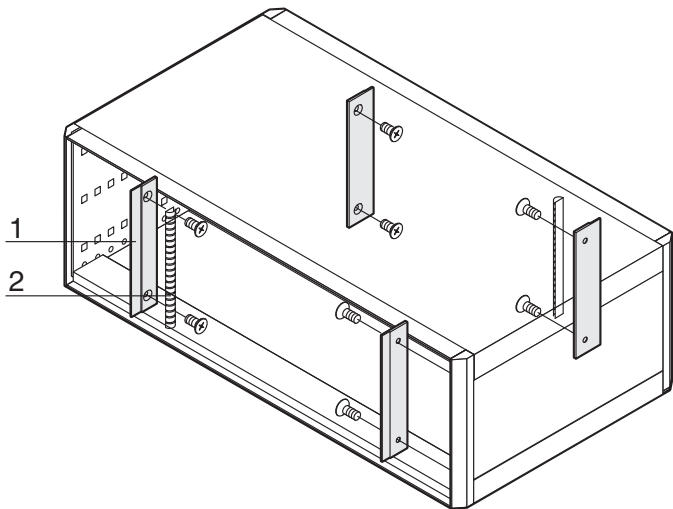
- Further configurations available on request
- Fans with tacho signal available on request



For further information www.schroff.biz/oneclick
oneClick search code = Part no.

Desk-top cases - *ratiopac* **PRO** / -air

EMC sealing front/rear panel to side panel



rppr6639

- For vertical EMC shielding between sub-assemblies and side panel
- Scope of delivery sufficient for one case

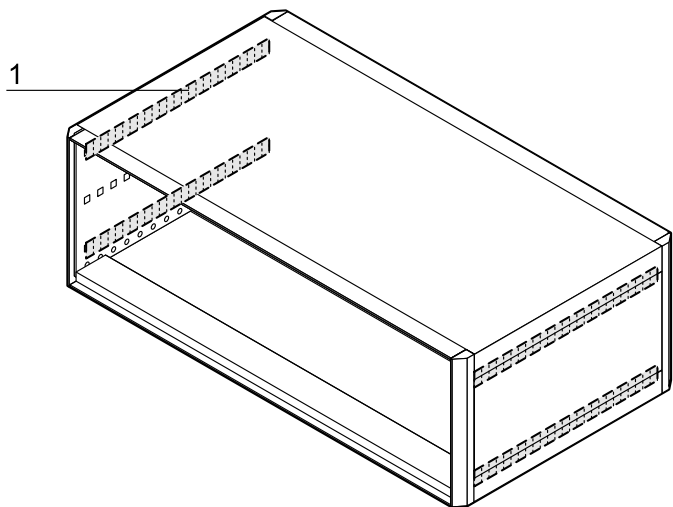
Delivery comprises (kit)

Item	Qty	Description
1	4	EMC support profile, Al extrusion
2	2	EMC sealing (textile), core: foam, sleeve: textile cladding with CuNi coating
3	1	Assembly kit

Order Information

For case height	Part no.
U	
2, 3-air	24571-334
3, 4-air	24571-331
4, 5-air	24571-332
6, 7-air	24571-333
5, 6-air	24571-335

EMC sealing side panel to cover plate



RPPR6640

- For horizontal EMC shielding between side panels and cover plates
- Scope of delivery sufficient for one case

Delivery comprises (kit)

Item	Qty	Description
1	4	Contact strip, stainless steel

Order Information

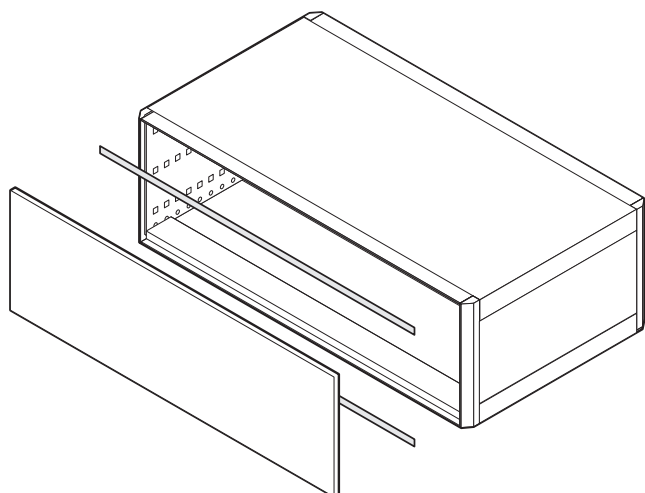
Depth	Part no.
mm	
255	24571-338
315	24571-339
375	24571-340
435	24571-341
495	24571-342



For further information www.schroff.biz/oneclick
oneClick search code = Part no.

Desk-top cases - *ratio*pac PRO / -air

EMC sealing front/rear panel to horizontal rail



rppr6739

- The contact strip is clipped onto the horizontal rail and sets up the contact to front panel or rear panel
- Can be used for rear horizontal rails (H-VT, L-VT) and all front horizontal rails

Delivery comprises

Item	Qty	Description
1	10/100	Stainless steel EMC gasket

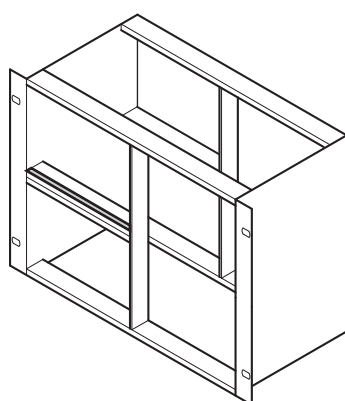
Order Information

Width HP	Width mm	Qty/PU	Part no.
28	131.78	10	24560-229
42	202.9	10	24560-231
63	304.8	10	24560-233
84	416.3	10	24560-235
84	416.3	100	24560-236

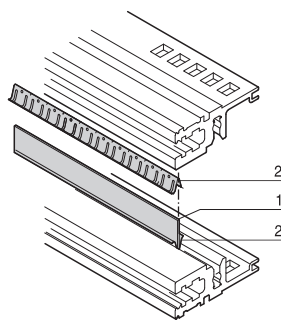


For further information www.schroff.biz/oneclick
oneClick search code = Part no.

EMC sealing horizontal rail to horizontal rail



BPA46548



BZA45877

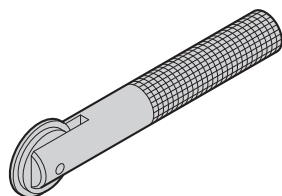
- For shielding of two horizontal rails located directly above each other with vertical division of the mounting height

Delivery comprises

Item	Qty	Description
1	1	Cover strip, Al, 1 mm
2	2	Contact spring, St, stainless

Order Information

Length HP	Part no.
20	24562-520
28	24562-528
40	24562-540
42	24562-542
63	24562-563
84	24562-584
Assembly tool for EMC sealing, St, stainless (horizontal rails), 1 piece	
	24560-271



aza45937

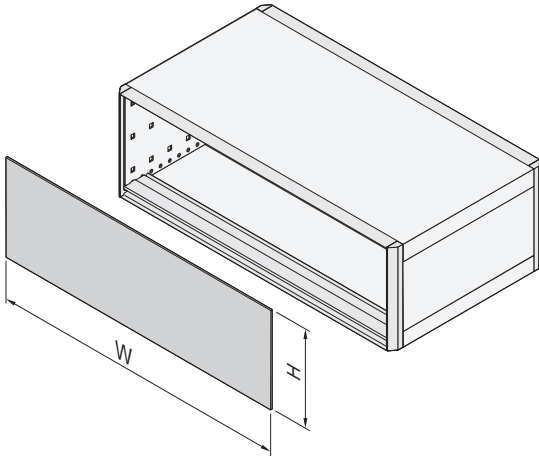
Assembly tool



For further information www.schroff.biz/oneclick
oneClick search code = Part no.

Desk-top cases - *ratiopac* **PRO** / -air

EMC front/rear panel, slotted, shielded



- No screws required for fixing
- Special horizontal rails cover the edges of the front panel (top and bottom) and prevent bowing of the front panel

NEW

Delivery comprises (Kit)

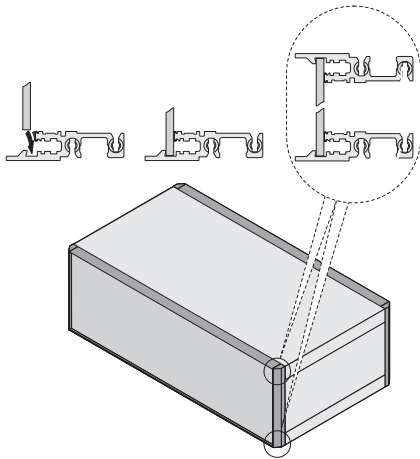
Item	Qty	Description
1	1	Full-width front panel, Al, 2.5 mm, front: anodised, rear: colour passivated
2	2	Horizontal rail, front; special for this front panel
3	4	EMC support profile
4	2	Contact strip horizontal rail - front panel
5	3	EMC textile gasket
6	1	Fixing material kit, user manual

01811055

Order Information

For case height	Height H	For case width	Width W	Part no.
U	mm	HP	mm	
2, 3-air	84.0	28	141.9	24572-599
2, 3-air	84.0	42	213.2	24572-600
2, 3-air	84.0	63	319.7	24572-601
2, 3-air	84.0	84	426.4	24572-602
3, 4-air	128.4	28	141.9	24572-603
3, 4-air	128.4	42	213.2	24572-604
3, 4-air	128.4	63	319.7	24572-605
3, 4-air	128.4	84	426.4	24572-606
4, 5-air	172.9	28	141.9	24572-607
4, 5-air	172.9	42	213.2	24572-608
4, 5-air	172.9	63	319.7	24572-609
4, 5-air	172.9	84	426.4	24572-610

01811056



Front panel/horizontal rail

Note

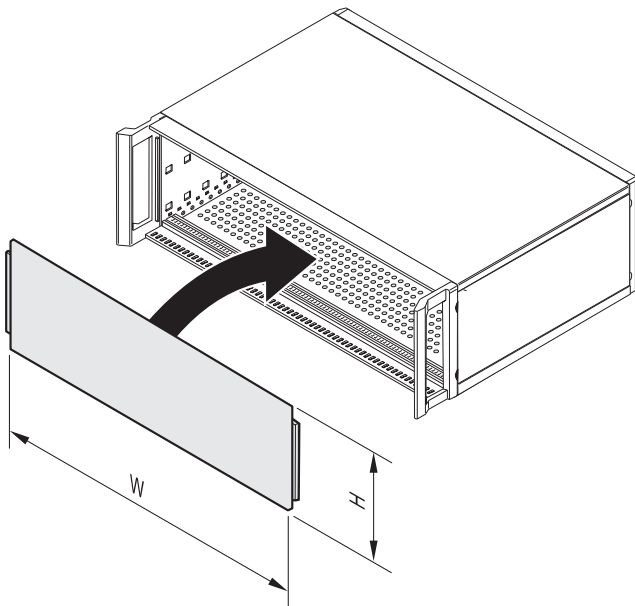
- To obtain a shielded case, all EMC sealings must be fitted (front panel/rear panel - side panel; side panel - cover plate; front panel/rear panel - horizontal rail; horizontal rail - horizontal rail)
- EMC sealing see from page 5.18



For further information www.schroff.biz/oneclick
oneClick search code = Part no.

Desk-top cases - *ratiopac* **PRO** / -air

Full-width front panel, slotted, unshielded



06801502

- Front panels can also be used as rear panels
- No screws required for fixing
- Inserted between side panel and castings such as trim, 19" mounting bracket or handle

Delivery comprises

Item	Qty	Description
1	1	Front panel, Al, 2.5 mm, front: anodised, rear: colour passivated

Order Information

For case height	Height H	For case width	Width W	Part no.
U	mm	HP	mm	
2, 3-air	84	28	141.9	34571-617
2, 3-air	84	42	213.2	34571-618
2, 3-air	84	63	319.7	34571-619
2, 3-air	84	84	426.4	34571-620
3, 4-air	128.4	28	141.9	34571-605
3, 4-air	128.4	42	213.2	34571-606
3, 4-air	128.4	63	319.7	34571-607
3, 4-air	128.4	84	426.4	34571-608
4, 5-air	172.9	28	141.9	34571-609
4, 5-air	172.9	42	213.2	34571-610
4, 5-air	172.9	63	319.7	34571-611
4, 5-air	172.9	84	426.4	34571-612
5, 6-air	217.3	28	141.9	34571-621
5, 6-air	217.3	42	213.2	34571-622
5, 6-air	217.3	63	319.7	34571-623
5, 6-air	217.3	84	426.4	34571-624
6, 7-air	261.8	28	141.9	34571-613
6, 7-air	261.8	42	213.2	34571-614
6, 7-air	261.8	63	319.7	34571-615
6, 7-air	261.8	84	426.4	34571-616

Note

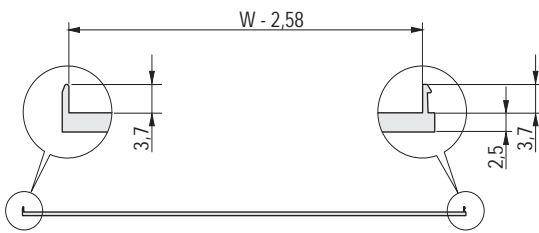
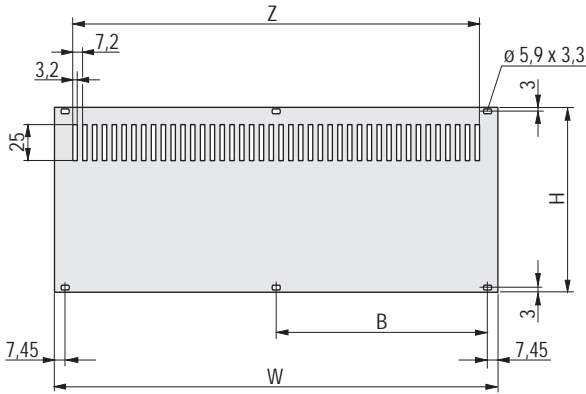
- Screw-fixed front panels see chapter Front panels, page 7.4



For further information www.schroff.biz/oneclick
oneClick search code = Part no.

Desk-top cases - *ratiopac* **PRO** / -air

Rear panels with ventilation slots



Shieldable

01802055



Unshielded

01804050

- Two versions:
unshielded, Al, 2.5 mm;
shieldable, Al extrusion (textile EMC seal, retrofittable)
- Mounting on horizontal rails (top and bottom)

Delivery comprises

Item	Qty	Description
1	1	Rear panel, Al, 2.5 mm, front: anodised, rear: iridescent green chromated; unshielded or shieldable with EMC seal (textile)

Order Information

Height U	H mm	Width W HP mm	B mm	unshielded Part no.	shieldable Part no.
2, 3-air	84	28 141.9	-	30849-007	20848-679
2, 3-air	84	42 213	101.6	30849-014	20848-680
2, 3-air	84	63 319.7	157.5	30849-015	20848-681
2, 3-air	84	84 426.4	208.3	30849-016	20848-682
3, 4-air	128.4	28 141.9	-	30849-008	20848-633
3, 4-air	128.4	42 213	101.6	30849-021	20848-634
3, 4-air	128.4	63 319.7	157.5	30849-022	20848-635
3, 4-air	128.4	84 426.4	208.3	30849-023	20848-636
4, 5-air	172.9	28 141.9	-	30849-009	20848-656
4, 5-air	172.9	42 213	101.6	30849-028	20848-657
4, 5-air	172.9	63 319.7	157.5	30849-029	20848-658
4, 5-air	172.9	84 426.4	208.3	30849-030	20848-659
5, 6-air	217.3	28 141.9	-	30849-011	20848-744
5, 6-air	217.3	42 213	101.6	30849-171	20848-745
5, 6-air	217.3	63 319.7	157.5	30849-172	20848-746
5, 6-air	217.3	84 426.4	208.3	30849-173	20848-747
6, 7-air	261.8	28 141.9	-	30849-010	20848-640
6, 7-air	261.8	42 213	101.6	30849-035	20848-641
6, 7-air	261.8	63 319.7	157.5	30849-036	20848-642
6, 7-air	261.8	84 426.4	208.3	30849-037	20848-643

- Please order textile EMC seals separately
- Assembly parts see page Chapter 7, Front panels
- Rear/front panels without perforation see Chapter 7, Front panels
- Rear panels with fan available on request

Textile EMC seals

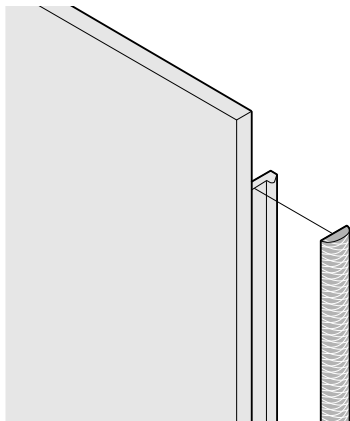
Delivery comprises

Item	Qty	Description
1	10/100	Textile EMC seal, core: foam, sleeve: textile cladding with CuNi coating

Order Information

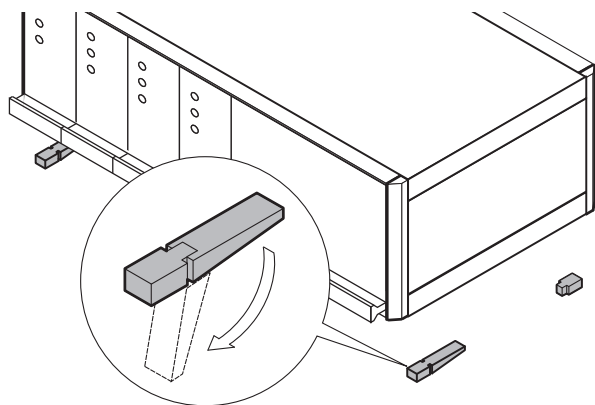
Height U	Height mm	Qty/PU pieces	Part no.
2, 3-air	52	10	21101-857
3, 4-air	97	100	21101-854
3, 4-air	97	10	21101-853
4, 5-air	142	10	21101-858
5, 6-air	187	10	21101-978
6, 7-air	232	100	21101-856
6, 7-air	232	10	21101-855

04602054



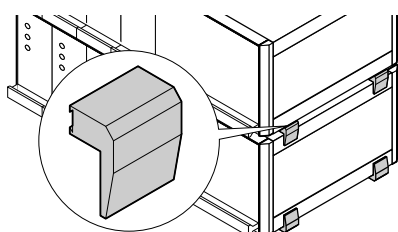
Desk-top cases - *ratio*pacPRO / -air

Tip-up feet and stacking aid/design element



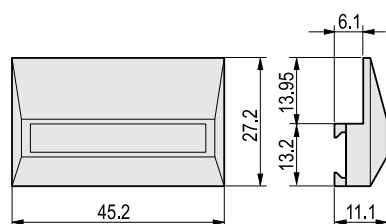
Tip-up foot

01802075



Stacking aid/design element

01802076



- Can be used instead of standard feet
- Carrying capacity: 25 kg per foot
- Mounting holes in bottom of casing

Delivery comprises ((kit))

Item	Qty	Description
1	4	Foot, PA, UL 94 V-0
2	4	Anti-slip protection, TPE
3	2	Tip-up device, PA, UL 94 V-0
4	1	Assembly kit

Order Information

Description	Part no.
Tip-up foot, silver, similar to RAL 9006	20603-001
Tip-up foot, anthracite, similar to RAL 7016	20603-002
Stacking aid/design element silver, similar to RAL 9006, PA, UL 94 V-0, PU 4 pieces	20603-004
Stacking aid/design element anthracite, similar to RAL 7016, PA, UL 94 V-0, PU 4 pieces	20603-003

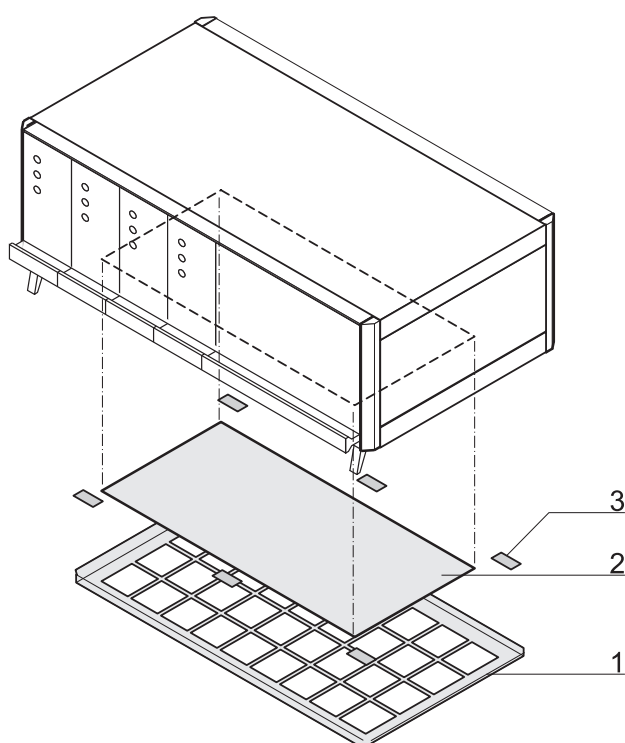
Note

- Tip-up feet are required to mount the stacking aid



For further information www.schroff.biz/oneclick
oneClick search code = Part no.

Air filters for ratio

pacPRO air


- Retrofit mounting without reworking and tools
- Filter replacement without opening the case, IP protection retained

Delivery comprises (kit)

Item	Qty	Description
1	1	Filter holder, Al, 1 mm, powder-coated, RAL 9006
2	1	Filter mat, synthetic fibre
3	1	Self-adhesive fixings

Order Information

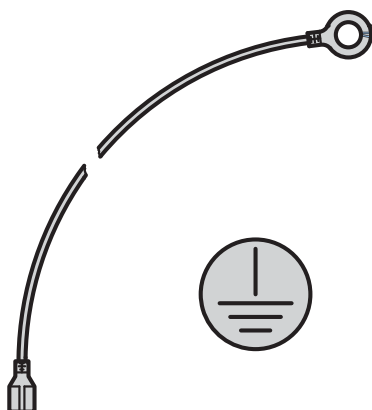
For case width	Air filter	Replacement filter 1 piece
HP	Part no.	Part no.
28	24571-325	64571-033
42	24571-326	64571-034
63	24571-327	64571-035
84	24571-328	64571-036

- To optimise the air supply, tip-up feet must be fitted to the case, see page 5.23

rppr6658

Desk-top cases - *ratiopac PRO* / -air

Earthing kit



aza43284

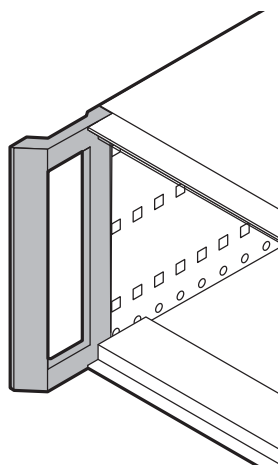
- Forms the GND/earthing connections between side panels, base plate, top cover and rear panel
- Protective GND/earthing connections in accordance with:
 - DIN EN 50178/VDE 0160
 - DIN EN 60950/VDE 0805
 - DIN EN 61010-1/VDE 0411 part 1
 - DIN EN 61010-1A2/VDE 0411 part 1/A1
- VDE tested

Order Information

Description	Part no.
GND/earthing kit, Cu wire 1.5 mm ² , PVC sleeve, green/yellow	24571-380

Desk-top cases - *ratiopac PRO*

Front handles for retrofitting



RPPR6651

- For conversion of cases with cover strip, 19" mounting bracket or 19" mounting bracket with front handle

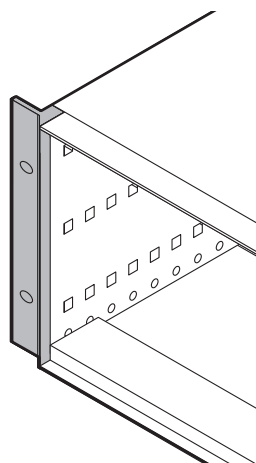
Delivery comprises

Item	Qty	Description
1	2	Front handle, Al die-cast, powder-coated, RAL 7016

Order Information

Front handle for	Part no.
RatiopacPRO 3 U	24571-301
RatiopacPRO 4 U	24571-302
RatiopacPRO 5 U	24571-993
RatiopacPRO 6 U	24571-303
RatiopacPRO air 3/4 U	24571-304
RatiopacPRO air 4/5 U	24571-305
RatiopacPRO air 6/7 U	24571-306

19" mounting brackets for retrofitting



RPPR6652

- For conversion of cases with cover strip, front handle or 19" mounting bracket with front handle

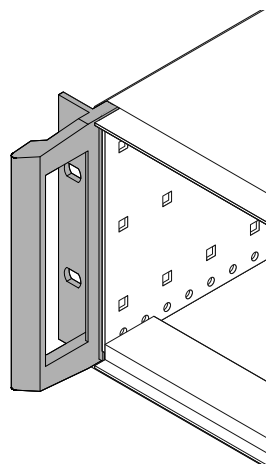
Delivery comprises

Qty	Description
2	19" mounting bracket, Al diecast, powder-coated, RAL 7016

Order Information

19" mounting angle	Part no.
RatiopacPRO 2 U	24571-994
RatiopacPRO 3 U	24571-295
RatiopacPRO 4 U	24571-296
RatiopacPRO 5 U	24571-992
RatiopacPRO 6 U	24571-297
RatiopacPRO air 4 U	24571-298
RatiopacPRO air 5 U	24571-299
RatiopacPRO air 7 U	24571-300

19" mounting bracket with front handle for conversion



01813056

- For conversion of cases with cover strip, front handle or 19" mounting bracket

Delivery comprises

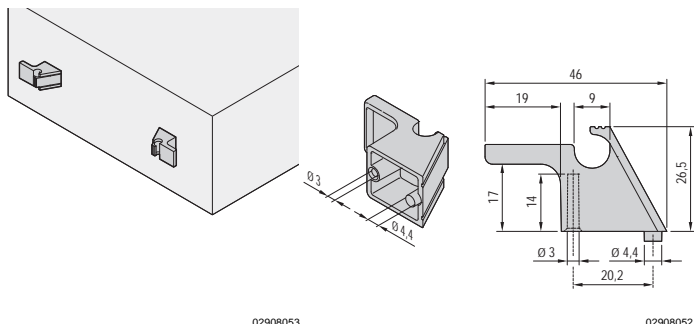
Qty	Description
2	19" mounting bracket with front handle, Al diecast, powder-coated, RAL 7016

Order Information

19" mounting angle	Part no.
RatiopacPRO 2 U	24572-700
RatiopacPRO 3 U	24572-701
RatiopacPRO 4 U	24572-702
RatiopacPRO 6 U	24572-704
RatiopacPRO air 4 U	24572-705
RatiopacPRO air 7 U	24572-707

Desk-top cases - *ratiopac*PRO / -air

Cable holder



Delivery comprises

Item	Qty	Description
1	2	Cable bracket, ABS, UL V-94 0, RAL 7016, detent for cables between 8 mm and 12 mm
2	1	Drilling template, two drilled holes each per bracket are needed in rear panel
3	1	Assembly kit

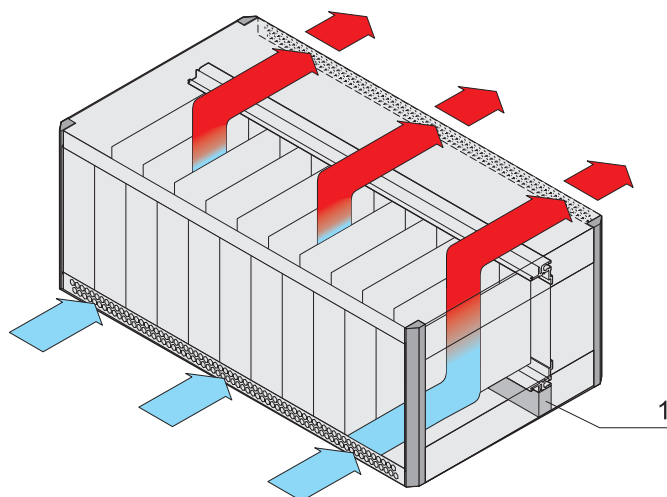
Order Information

Description	Part no.
Cable holder	24575-800



For further information www.schroff.biz/oneclick
oneClick search code = Part no.

Air baffles for ratiopacPRO air



- The air baffle (item 1) closes the space (1/2 U) between the rear horizontal rail and base plate

Delivery comprises (in kit form)

Item	Qty	Description
1	1	Compartment seal, PE foam, UL 94 HF 1 + HF 2, self-adhesive, temperature range: -40 °C ... +85 °C

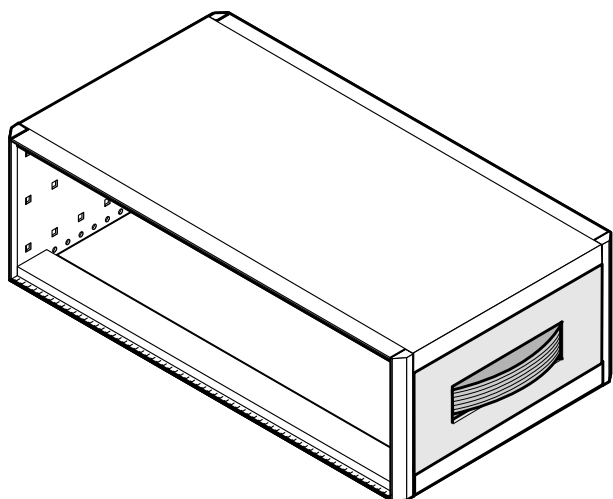
Order Information

For case width	Length	Part no.
HP	mm	
42	218.4	20833-351
63	325.1	20833-352
84	431.8	20833-353

Note

- Fan rear panel available on request
- Radial fan unit see page 5.17

Strap handles



- Retrofittable without mechanical modifications to the case
- Static load-carrying capacity 20 kg per pair

Delivery comprises (kit)

Item	Qty	Description
1	1	Handle, steel spring, plastic-sheathed (flexible plastic), RAL 7016
2	1	Side plate, Al, visible surfaces powder-coated, RAL 9006
3	2	Adaptor, Al die-cast
4	1	Assembly kit

Order Information

For case depth	For case height	For case height4
	3 U, 4 U air	HE, 5 Uair
mm	Part no.	Part no.
315	24571-308	24571-314
375	24571-309	24571-315
435	24571-310	24571-316

Desk-top cases - *ratio*pac **PRO** / -air

Tip-up carrying handles



06803006

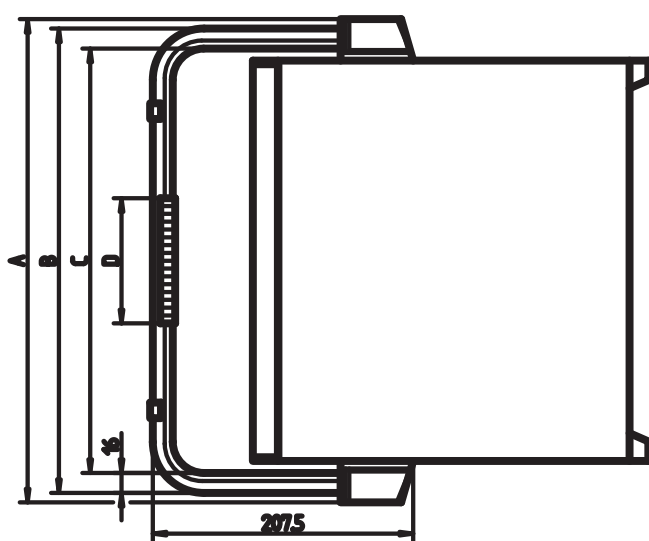
- Retrofittable without mechanical modifications to the case
- Adjustable in 30° increments
- Static load-carrying capacity 30 kg

Delivery comprises (kit)

Item	Qty	Description
1	1	Carrying bar, Al extrusion, powder coated, RAL 9006
2	1	Handle shell, ABS, UL 94 V-0, RAL 7016
3	2	Tip-up protection, ABS, UL 94 V-0, RAL 7016
4	2	Notch device, Al die-cast
5	2	Cover cap, ABS, UL 94 V-0, RAL 7016

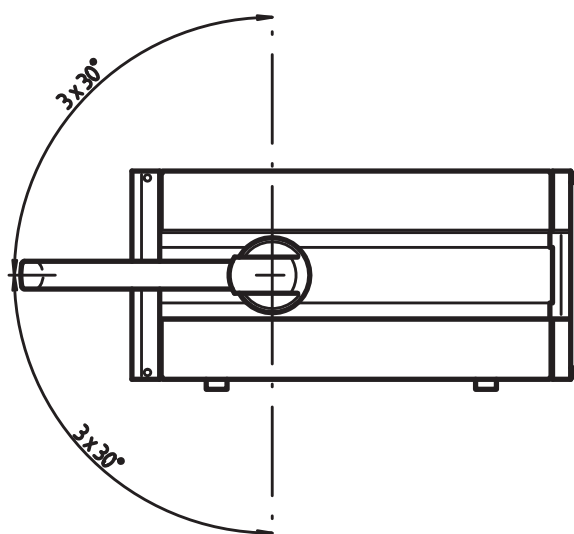
Order Information

For case height	For case width	For case depth	Tip-up carrying handle	Assembly kit
U	HP	mm	Part no.	Part no.
3, 4-air	42	255	24571-320	24571-352
3, 4-air	42	315	24571-320	24571-353
3, 4-air	42	375	24571-320	24571-354
3, 4-air	42	435	24571-320	24571-355
3, 4-air	42	495	24571-320	24571-356
3, 4-air	63	255	24571-321	24571-352
3, 4-air	63	315	24571-321	24571-353
3, 4-air	63	375	24571-321	24571-354
3, 4-air	63	435	24571-321	24571-355
3, 4-air	63	495	24571-321	24571-356
3, 4-air	84	255	24571-322	24571-352
3, 4-air	84	315	24571-322	24571-353
3, 4-air	84	375	24571-322	24571-354
3, 4-air	84	435	24571-322	24571-355
3, 4-air	84	495	24571-322	24571-356
4, 5-air	42	255	24571-320	24571-359
4, 5-air	42	315	24571-320	24571-360
4, 5-air	42	375	24571-320	24571-361
4, 5-air	42	435	24571-320	24571-362
4, 5-air	42	495	24571-320	24571-363
4, 5-air	63	255	24571-321	24571-359
4, 5-air	63	315	24571-321	24571-360
4, 5-air	63	375	24571-321	24571-361
4, 5-air	63	435	24571-321	24571-362
4, 5-air	63	495	24571-321	24571-363
4, 5-air	84	255	24571-322	24571-359
4, 5-air	84	315	24571-322	24571-360
4, 5-air	84	375	24571-322	24571-361
4, 5-air	84	435	24571-322	24571-362
4, 5-air	84	495	24571-322	24571-363



RPA43897

For case height	For case width	A	B	C	D
U	HP	mm	mm	mm	mm
3, 4, 4-air, 5-air	42	283,4	279,4	247,4	115
3, 4, 4-air, 5-air	63	390,1	386,1	354,1	195
3, 4, 4-air, 5-air	84	496,8	492,8	460,8	195



rpa43898

Note

- Cannot be used in conjunction with front handles
- Assembly kit is required for tip-up carrying handle, please order separately

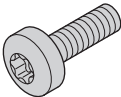


For further information www.schroff.biz/oneclick
oneClick search code = Part no.

Desk-top cases - *ratiopac PRO* / -air


Torx panhead screws

Order Information

	Description	Application	Material	Dimension	Qty/PU	Part no.
 <small>AZA45923</small>	Countersunk screw with Torx	For horizontal rail to side panel, with GND/earthing function	St, zinc-plated	M4 x 14	100	24571-371
	Countersunk screw with Torx	For horizontal rail to side panel, if guide rail is bolted onto slot 1	St, zinc-plated	M4 x 10	100	24571-372

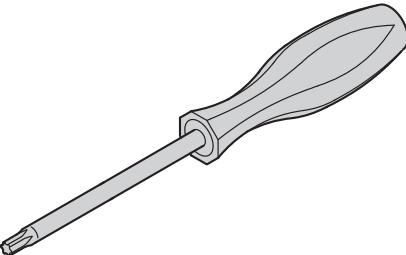
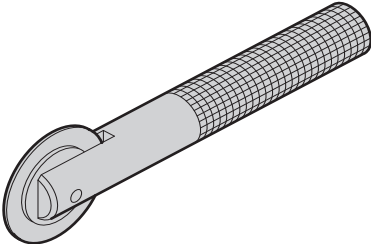
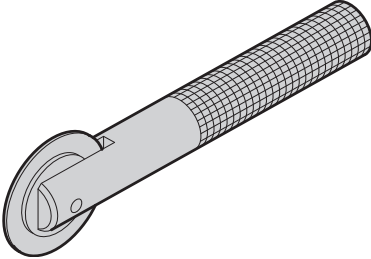
Nut

Order Information

	Description	Application	Material	Dimension	Qty/PU	Part no.
 <small>AZA45921</small>	Square nut	For fixing: parts to side panels, support profiles, mounting plates	St, zinc-plated	M4	100	24560-140

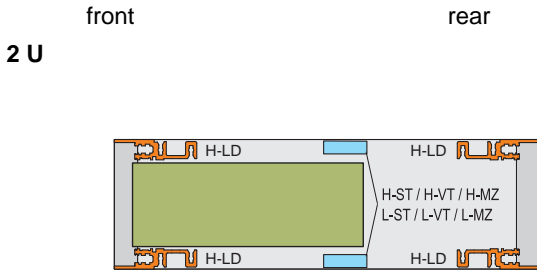
Assembly tools

Order Information

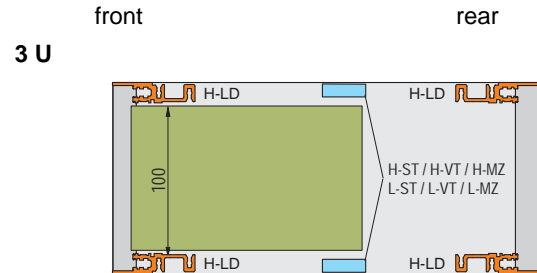
	Description	Application	Dimension	Qty/PU	Part no.
 <small>AZA45925</small>	Torx screwdriver		T8	1	64560-026
			T20	1	64560-027
 <small>aza45938</small>	Assembly tool for horizontal rails	Exclusively to fix stainless steel EMC gaskets in horizontal rails	–	1	24560-271
 <small>aza45937</small>	Assembly tool for front panels	For mounting stainless steel EMC contact strips on front panels with lateral slot	–	1	24560-270

Desk-top cases - *ratio*pacPRO / -air

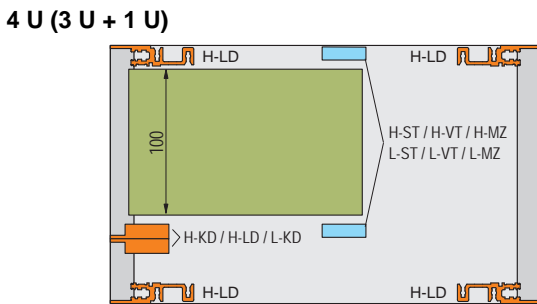
Mounting position ratio

pacPRO horizontal rails/central rails


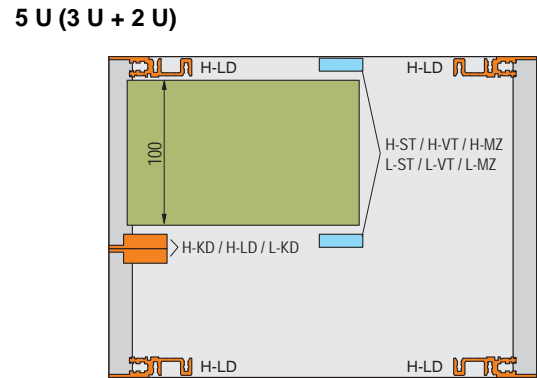
01805060



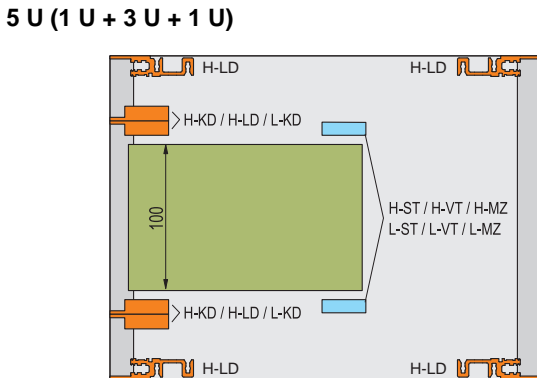
01802057



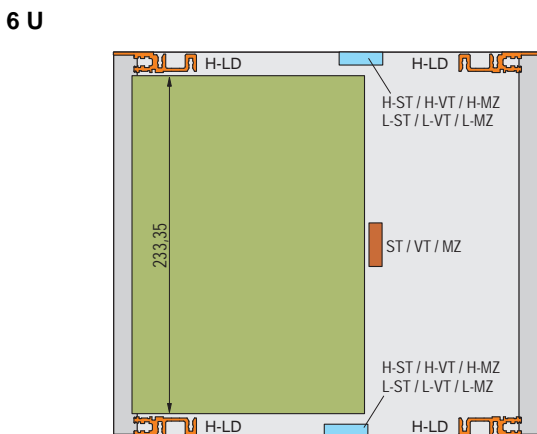
01802058



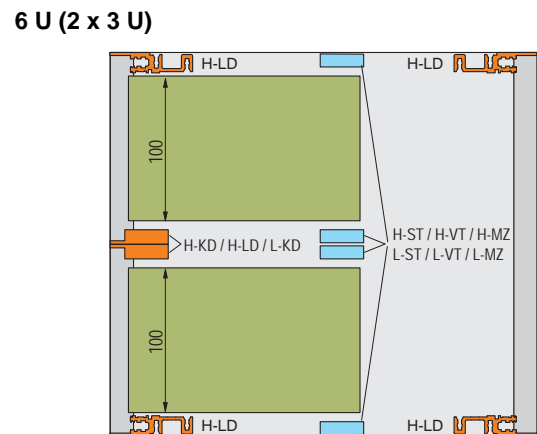
01805062



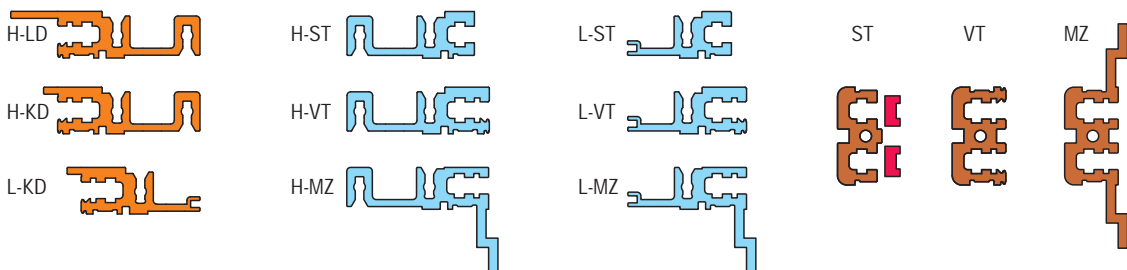
01805061



01802059



01802060



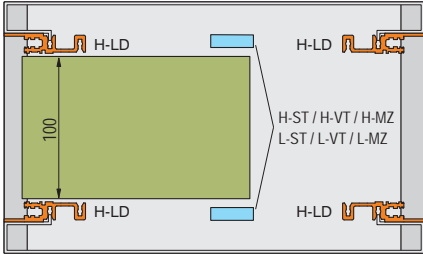
Horizontal rails can be bolted on in 15 mm depth grid

01808050

Desk-top cases - *ratiopac*PRO / -air

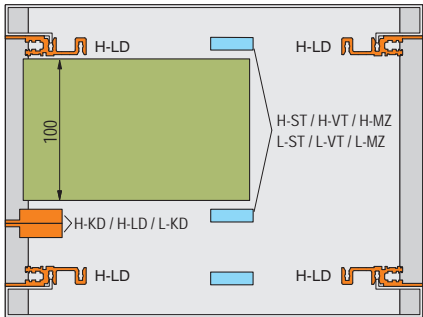
Mounting position ratiopacPRO air horizontal rails/central rails

front rear
4-air U (1/2 U + 3 U + 1/2 U)



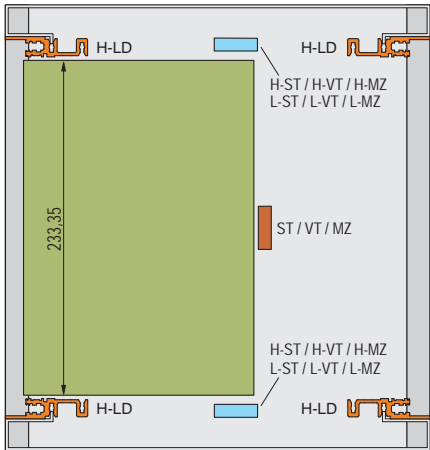
01802061

5-air U (1/2 U + 3 U + 1U +1/2 U)



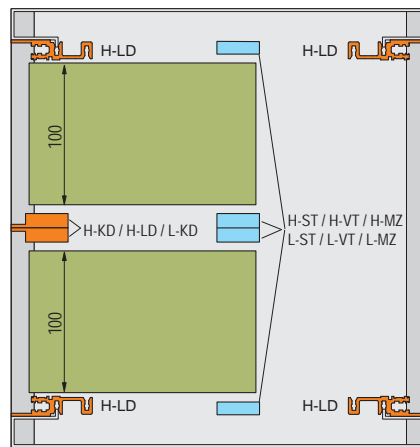
01802062

7-air U (1/2 U + 6 U + 1/2 U)

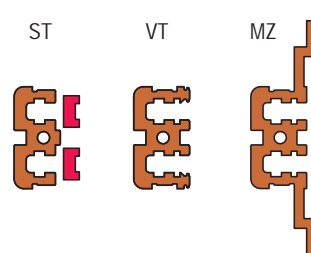
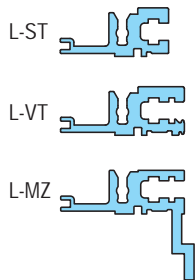
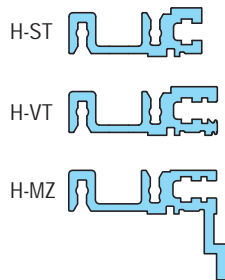
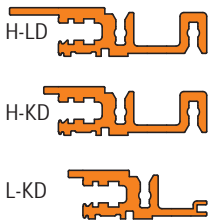


01802063

7-air U (1/2 U + 3 U + 3U 1/2 U)



01802064



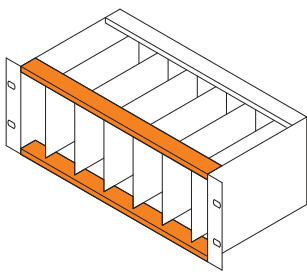


Horizontal rails can be bolted on in 15 mm depth grid

01808050

Desk-top cases - *ratiopac PRO* / -air

Front horizontal rails

Order Information

 <p>bza44980</p>	<p>"heavy" Type H-KD short lip</p>  <p>06197008</p> <p>Al extrusion, anodised finish, contact surface conducting, with printed HP markings</p>	<p>With long lip for insertion/extraction of CompactPCI and VME64x boards</p> <p>"heavy" Type H-LD long lip</p>  <p>06197009</p> <p>Al extrusion, anodised finish, contact surface conducting, with printed HP markings</p>																	
	<p>1 piece (SPQ 10)¹⁾</p>	<p>1 piece (SPQ 10)¹⁾</p>																	
<table border="1"> <thead> <tr> <th>Usable length HP</th> <th>Length mm</th> </tr> </thead> <tbody> <tr> <td>28</td> <td>147.32</td> </tr> <tr> <td>42</td> <td>218.44</td> </tr> <tr> <td>63</td> <td>325.12</td> </tr> <tr> <td>84</td> <td>431.80</td> </tr> </tbody> </table>	Usable length HP	Length mm	28	147.32	42	218.44	63	325.12	84	431.80	<table border="1"> <tbody> <tr> <td>34560-228</td> <td>34560-328</td> </tr> <tr> <td>34560-242</td> <td>34560-342</td> </tr> <tr> <td>34560-263</td> <td>34560-363</td> </tr> <tr> <td>34560-284</td> <td>34560-384</td> </tr> </tbody> </table>	34560-228	34560-328	34560-242	34560-342	34560-263	34560-363	34560-284	34560-384
Usable length HP	Length mm																		
28	147.32																		
42	218.44																		
63	325.12																		
84	431.80																		
34560-228	34560-328																		
34560-242	34560-342																		
34560-263	34560-363																		
34560-284	34560-384																		
<p>M4 × 10, St, zinc-plated, necessary if guide rail is screwed to slot 1, PU 100 pieces</p>	<p>24571-372</p>	<p>24571-372</p>																	
<p>Threaded inserts see page</p>	<p>5.35</p>	<p>5.35</p>																	

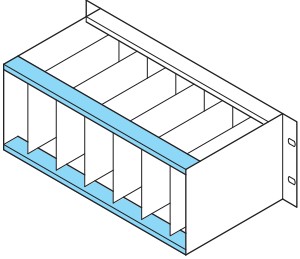






1) SPQ (standard pack quantity): Order number includes 1 piece, but delivery is exclusively made in standard pack quantity (SPQ); please order at least the SPQ quantity or a multiple thereof

"light": loading capacity up to approx. 7.5 kg; "heavy": loading capacity > 7.5 kg

Desk-top cases - *ratiopac* **PRO** / -air

Rear horizontal rails

Order Information

 <p>06105074</p>	<p>For indirect backplane fixing with insulation strip</p>  <p>04400001</p> <p>"heavy" Type H-ST standard</p>  <p>06197011</p> <p>Al extrusion, anodised finish, contact surface conducting, with printed HP markings</p>	<p>For direct backplane fixing</p>  <p>04400002</p> <p>"heavy" Type H-VT long lip</p>  <p>06197013</p> <p>Al extrusion, anodised finish, contact surface conducting, with printed HP markings</p>	<p>For direct fixing of connectors to EN 60603-2 (DIN 41612)</p>  <p>04400003</p> <p>"heavy" Type H-MZ with Z-rail</p>  <p>06197015</p> <p>Al extrusion, anodised finish, contact surface conducting, with printed HP markings</p>	
	<p>Usable length HP</p> <p>Length mm</p>	<p>1 piece (SPQ 10)¹⁾</p>	<p>1 piece (SPQ 10)¹⁾</p>	<p>1 piece (SPQ 10)¹⁾</p>
28	147.32	34560-528	34560-728	34560-928
42	218.44	34560-542	34560-742	34560-942
63	325.12	34560-563	34560-763	34560-963
84	431.80	34560-584	34560-784	34560-984
Torx panhead screw, 4 x 10		24571-372	24571-372	24571-372
Perforated rail for connector mounting with insulation strip see page		5.35	–	–
Z-rail for connector mounting without insulation strip see page		5.35	–	–
Insulation strips see page		5.35	–	–
Threaded inserts see page		5.35	5.35	5.35




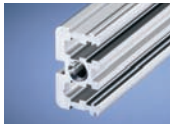


1) SPQ (standard pack quantity): Order number includes 1 piece, but delivery is exclusively made in standard pack quantity (SPQ); please order at least the SPQ quantity or a multiple thereof

"light": loading capacity up to approx. 7.5 kg; "heavy": loading capacity > 7.5 kg

Desk-top cases - *ratiopac PRO* / -air

Horizontal rails rear, centre

Order Information

		For indirect mounting of backplanes via insulation strip	For direct backplane mounting	For direct fixing of connectors to EN 60603-2 (DIN 41612)
		 <p>Type ST</p>  <p>Al extrusion, finish anodised, conductive contact surface; horizontal rail type AB (AB = support) is required to fix the 80 mm rear I/O boards; without marking</p> <p>1 piece (SPQ 10)¹⁾</p>	 <p>Type VT</p>  <p>Al extrusion, finish anodised, conductive contact surface; horizontal rail type AB (AB = support) is required to fix the 80 mm rear I/O boards; without marking</p> <p>1 piece (SPQ 10)¹⁾</p>	 <p>Type MZ</p>  <p>Al extrusion, finish anodised, conductive contact surface; horizontal rail type AB (AB = support) is required to fix the 80 mm rear I/O boards; without marking</p> <p>1 piece (SPQ 10)¹⁾</p>
Usable length	Length			
HP	mm			
28	147.32	34561-028	34561-128	34561-228
42	218.44	34561-042	34561-142	34561-242
63	325.12	34561-063	34561-163	34561-263
84	431.80	34561-084	34561-184	34561-284
Torx panhead screw, 4 x 10		24571-372	24571-372	24571-372
Insulation strips see page		5.35	—	—
Threaded inserts see page		5.35	5.35	5.35

1) SPQ (standard pack quantity): Order number includes 1 piece, but delivery is exclusively made in standard pack quantity (SPQ); please order at least the SPQ quantity or a multiple thereof

Desk-top cases - *ratiopac* **PRO** / -air

Horizontal rails (type AB) for rear I/O guide rails

Order Information

<p>06108069</p>		<p>For CompactPCI in rear I/O area</p> <p>06108009</p> <p>Type AB</p> <p>06197009</p> <p>Al extrusion, finish anodised, conductive contact surface; horizontal rail type AB (AB = support) is required to fix the 80 mm rear I/O boards; without marking</p>
Usable length	Length	1 piece (SPQ 10)¹⁾
HP	mm	
20	106.68	34561-520
28	147.32	34561-528
40	208.28	34561-540
42	218.44	34561-542
63	325.12	34561-563
84	431.80	34561-584
–	1000	34561-501
Screw, M4 x 14, PU 100 pieces, for fastening horizontal rail to side panel		24560-130

1) SPQ (standard pack quantity): Order number includes 1 piece, but delivery is exclusively made in standard pack quantity (SPQ); please order at least the SPQ quantity or a multiple thereof

"light": loading capacity up to approx. 7.5 kg; "heavy": loading capacity > 7.5 kg

Note

- All horizontal rails without print
- 1000 mm version without M4 thread in end

Desk-top cases - *ratiopac* **PRO** / -air

Divider plates

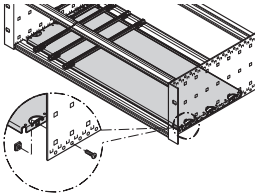
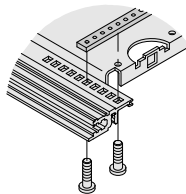
Order Information

					Divider plates	
					Mounting position for stainless steel EMC gasket	Mounting position for textile EMC gasket
<p style="text-align: right;">bpa45912</p>					<p>front rear front rear</p> <p>bpa45911 06105078</p> <p>Stainless steel, 1 mm, is mounted by clipping onto horizontal rail, space requirement on component side 2 mm; mounting direction varies with shielding design (EMC stainless steel or textile gasket); retrofitting the divider plate in an already-assembled subrack/case will first require dismantling of the horizontal rails; where front panels are unshielded, both mounting directions are possible</p>	
Height	Depth	A	B	H	1 piece	
U	mm	mm	mm	mm		
3	160	158.3	135.0	113.5	34562-761	
3	220	218.3	195.0	113.5	34562-762	
6	160	158.3	135.0	246.9	34562-763	
6	220	218.3	195.0	246.9	34562-764	

Desk-top cases - *ratiopac PRO* / -air

Mounting plates

Order Information

			Mounting plate	Assembly strip for partial widths
			 <p style="text-align: right; font-size: small;">bpa45875</p>	 <p style="text-align: right; font-size: small;">bpa46557</p>
			Al, 1.5 mm; for mounting over partial width, please order assembly strips separately	St, 2 mm, zinc-plated; is bolted from front to rear onto the horizontal rails; to fix mounting plates
	Width	Board lengths	06812002	
HP	mm	mm	1 piece	1 piece
28	146.88	160	34562-745	30840-021
28	146.88	220	34562-749	30840-033
28	146.88	280	34562-753	30840-045
28	146.88	340	34562-757	30840-057
42	217.99	160	34562-746	30840-021
42	217.99	220	34562-750	30840-033
42	217.99	280	34562-754	30840-045
42	217.99	340	34562-758	30840-057
63	324.67	160	34562-747	30840-021
63	324.67	220	34562-751	30840-033
63	324.67	280	34562-755	30840-045
63	324.67	340	34562-759	30840-057
84	431.35	160	34562-748	30840-021
84	431.35	220	34562-752	30840-033
84	431.35	280	34562-756	30840-045
84	431.35	340	34562-760	30840-057
Assembly kit for mounting plate PU 1 kit (Torx countersunk screw M4 x 5, St, zinc-plated, 12 pieces; screw M4 x 6, St, zinc-plated, 10 pieces; M4 square nut, St, zinc-plated, 10 pieces)			24560-184	-
Assembly kit for assembly strips of mounting plate Torx screw M2.5 x 5, St, zinc-plated, PU 100 pieces			-	24560-146

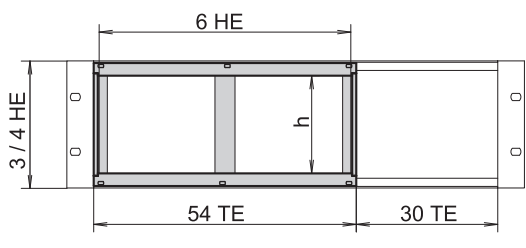



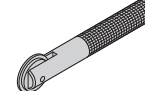
Note

- Please order fixing material for assembly of mounting plate separately
- A guide rail can be mounted on the first and last slot position
- 4.4" and "reinforced" guide rails cannot be used

Desk-top cases - *ratiopac* **PRO** / -air

Horizontal board installation

Order Information

			Horizontal board installation		
			Board cage	Front frame for EMC shielding	Front frame, unshielded
<p>Struts die-cast zinc; horizontal rails front and rear; threaded insert, St, zinc-plated; fixing material kit; for horizontal mounting of double-height euroboards in 3 or 4 U high subracks/cases; 54 TE space required; please order front frame for EMC shielding separately</p>			<p>2 horizontal covers, Al, 2.5 mm, front anodised, rear iridescent green chromated; 2 vertical trims, Al extrusion, clear passivated; stainless steel EMC gasket; front frame forms the contact between subrack and the sub-assemblies</p>	<p>Al, 2.5 mm, clear anodised; front frame with cut-out, clear internal width w = 266.35 mm</p>	
Height U	Usable height h HP	Other dimensions and options Horizontal rail, front Horizontal rail, rear	PU 1 kit	PU 1 kit	1 piece
3	20		24564-117	24564-109	34564-108
3	20		24564-118	24564-109	34564-109
4	28		24564-217	24564-209	34564-208
<p>Assembly tool, for mounting the EMC gasket (stainless steel)</p> 			-	24560-270	-

* For direct backplane mounting

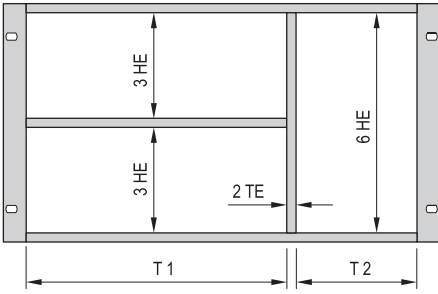
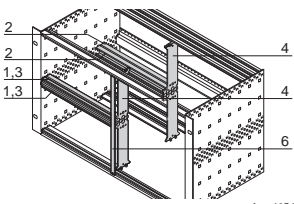
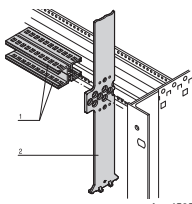
Note

- Please order front frame separately

Desk-top cases - *ratio*pac PRO / -air

Combined mountings (6 U and 2 x 3 U one above the other)

Order Information

	Combined mounting Horizontal and vertical subdivision (incl. front panel for stainless steel EMC gasket)	Alternative front panels for combined mounting		Splitting extrusion For combined mounting Item 2
		Unshielded front panel, 6 U, 2 HP item 6	Front panel for textile EMC gasket, 6 U, 2 HP item 6	
Width pitch T1:T2 HP	Item 1: 2 front horizontal rails (H-KD), Al extrusion, anodised; item 2: 2 rear horizontal rails (AB), Al extrusion, anodised; item 3: threaded insert, St, zinc-plated; item 4: Zn die-cast support member; item 6: front panel 2 HP, 6 U, shielded; with EMC stainless steel gasket (84:0 without items 4, 6)	Al, 2.5 mm, front anodised, rear iridescent green chromated	Al, 2.5 mm, U-profile with notch, 6 U, 2 HP	6 U, die-cast zinc; splitting extrusion is inserted in the grid holes of the horizontal rail; the splitting extrusion can be bolted
	PU 1 kit	1 (SPQ 5)	1 piece (SPQ 5)¹⁾	1 piece
20:62	24562-420			
40:42	24562-440			
42:40	24562-442	30847-472	30849-140	64560-010
63:19	24562-463			
84:0	24562-484			
Countersunk screw with Torx M4 x 14, zinc-plated, PU 100 pieces fixing splitting extrusion/horizontal rail	–	–	–	24560-145
Panhead screw M2.5 x 10, St, zinc-plated, PU 100 pieces fixing horizontal rail/splitting extrusion	–	–	–	24560-179
Pozidrive/slotted collar screw M2.5 x 12.3, St, nickel-plated, PU 100 pieces	–	21101-101	21101-101	–
Pozidrive/slotted collar screw M2.5, black, zinc-plated, PU 100 pieces	–	21101-102	21101-102	–
Washer, 2.7 x 5 x 1, plastic PA 6, PU 100 pieces	–	21101-121	21101-121	–
Textile gasket, core: foam, sleeve: textile cladding with CuNi coating, UL 94 V-0, PU 10 pieces	–	–	21101-855	–

1) SPQ (standard pack quantity): Order number includes 1 piece, but delivery is exclusively made in standard pack quantity (SPQ); please order at least the SPQ quantity or a multiple thereof

■ Subdivision of the 6 U assembly area into:

- 2 x 3 U
- 1 x 6 U

■ Designed to accept Euroboards (100 mm high) and double Euroboards (233.35 mm high)

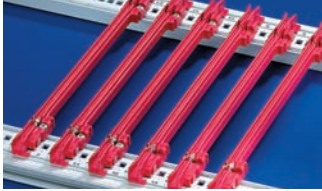
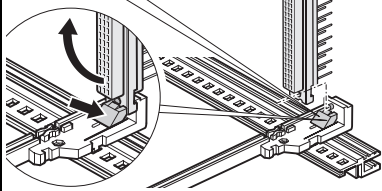
Note

- Please order EMC gasketing kit for horizontal rails separately, see page 5.19
- Please order perforated strips for horizontal rails separately, see page 5.35
- Please order rear centre horizontal rail separately, see page 5.33

Desk-top cases - *ratiopac* **PRO** / -air

Guide rails for plug-in units and modules, one-piece, groove width 2 mm and 2.5 mm

Order Information

			For plug-in units and frame type plug-in units			
			Standard	With DIN connector fixing as standard		
Assembly - can be clipped into Al extruded horizontal rails - can be clipped into 1.5 mm thick plates Storage temperature from -40 °C ... 130 °C			 <p>Up to 220 mm length, PBT, UL 94 V-0; from 280 mm length, multi-piece, end piece PBT, UL 94 V-0, central section Al extrusion</p> <p>06101001</p>		 <p>PBT, UL 94 V-0, red, connector is clipped directly onto the guide rails; for euroboards 100 x 160 mm or 100 x 220 mm only</p> <p>06101501</p>	
Board lengths mm	Groove width mm	Colour mm	PU 10 pieces ²⁾	1 pair (SPQ 10) ¹⁾		
70	2	red	–	–		
70	2	grey	–	–		
160	2	red	24560-351	64560-074		
220	2	red	24560-353	64560-075		
280	2	red	24560-379	–		
340	2	red	24560-380	–		
160	2.5	red	–	–		
220	2.5	red	–	–		

Accessories

Retention screw, PU 100 pieces		24560-141
ESD clip, PU 50 pieces		24560-255

1) SPQ (standard pack quantity): Order number includes 1 piece, but delivery is exclusively made in standard pack quantity (SPQ); please order at least the SPQ quantity or a multiple thereof

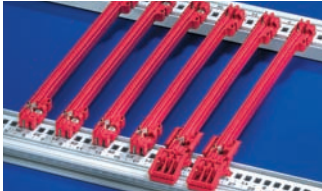
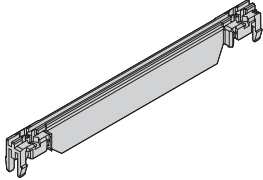
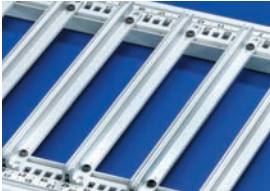
2) Part no. includes one packing unit (PU); delivery is exclusively made in PU

Description of accessories see from page 6.41

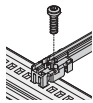
Desk-top cases - *ratiopac PRO* / -air

Guide rails type "accessories", one-piece,
groove width 2 mm and 2.5 mm

Order Information

Assembly - can be clipped into horizontal rails in Al extrusion - can be clipped into 1.5 mm thick plate Storage temperature from -40 °C ... +130 °C			"Accessories"	Guide rail type "Accessories" strengthened	For heavy modules, Al extrusion, silver, robust version
			 <small>06102002</small> Up to 220 mm length, PBT, UL 94 V-0; > 280 mm length, multi-piece, end piece PBT, UL 94V-0, middle section Al extrusion	 <small>bz246554</small> PBT UL 94V-0, red; support beam of guide rails adds to strengthening	 <small>06102005</small> Al extrusion; is screwed to horizontal rail "heavy" with retention screws
Board lengths	Groove width	Colour	PU 10 pieces²⁾	1 piece (SPQ 50)¹⁾	1 piece (SPQ 10)¹⁾
100	2	red	-	-	-
160	2	red	24560-373	64560-076	-
160	2	grey	-	-	34562-881
220	2	red	24560-374	64560-078	-
220	2	grey	-	-	34562-882
280	2	red/silver	24560-375	64560-080	34562-883
340	2	red/silver	24560-376	-	34562-884
400	2	red/silver	-	-	34562-885
160	2.5	silver	-	-	34564-881
220	2.5	silver	-	-	34564-882
280	2.5	silver	-	-	34564-883
340	2.5	silver	-	-	34564-884
400	2.5	silver	-	-	34564-885

Accessories

Retention screw, PU 100 pieces 	24560-141	24560-141	24560-157
ESD clip, PU 50 pieces	24560-255		-
Board locking, red, PU 10 pieces	24560-377		-
Board handle, red, PU 10 pieces	24560-378		-
Identification strips for board handle, red, PU 1 sheet = 438 pieces	60817-228		-
Coding see page	6.41		-

1) SPQ (standard pack quantity): Order number includes 1 piece, but delivery is exclusively made in standard pack quantity (SPQ); please order at least the SPQ quantity or a multiple thereof


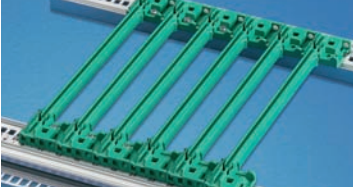

2) Part no. includes one packing unit (PU); delivery is exclusively made in PU

Description of accessories see from page 6.41

Desk-top cases - *ratiopac* **PRO** / -air

Guide rails for CompactPCI, VME64x with coding,
4.4" PCBs, groove width 2 mm and 2.5 mm

Order Information

Assembly - can be clipped into Al extruded horizontal rails - can be clipped into 1.5 mm thick plates Storage temperature from -40 °C ... 130 °C			For CompactPCI, VME64x with coding	Offset 0.1" for power supply units in accordance with IEEE 1101.10 and IEC 60297-3-103	For 4.4" PCBs
			In accordance with IEEE 1101.10 and IEC 60297-3-103		
					
			06106001	06106002	06104009
			One-piece for groove width 2 mm, PBT, UL 94 V-0; multi-piece at groove width 2,5 mm, end-piece PBT, UL 94 V-0, center piece Al profile	PBT, UL 94 V-0, for installation of power supplies in CompactPCI systems or plug-in units with SMD placement	One-piece, PBT, UL 94 V-0; for 4.4" PCBs or drive units
Board lengths mm	Groove width mm	Colour mm	PU 10 pieces²⁾	PU 10 pieces²⁾	PU 10 pieces
70	2	red	24560-355	–	–
70	2	grey	24560-360	–	–
160	2	red	24560-356	–	24560-361
160	2	grey	24560-358	–	–
160	2	green	–	24560-359	–
220	2	red	–	–	24560-362
220	2	grey	–	–	–
220	2	green	–	–	–
160	2.5	red	–	–	–
220	2.5	red	24561-330	–	–
220	2.5	grey	24561-340	–	–
280	2.5	red	24561-331	–	–
280	2.5	grey	24561-341	–	–
340	2.5	red	24561-332	–	–
340	2.5	grey	24561-342	–	–

Accessories

ESD clip, PU 50 pieces	24560-255	–	–
ESD clips, for alignment pin, PU 50 pieces	24560-256	24560-256	–
Retention screw, PU 100 pieces	24560-141	24560-141	24560-158
Coding peg, PU 100 pieces	20817-501	20817-501	–

1) SPQ (standard pack quantity): Order number includes 1 piece, but delivery is exclusively made in standard pack quantity (SPQ); please order at least the SPQ quantity or a multiple thereof

2) Part no. includes one packing unit (PU); delivery is exclusively made in PU

Description of accessories see from page 6.41

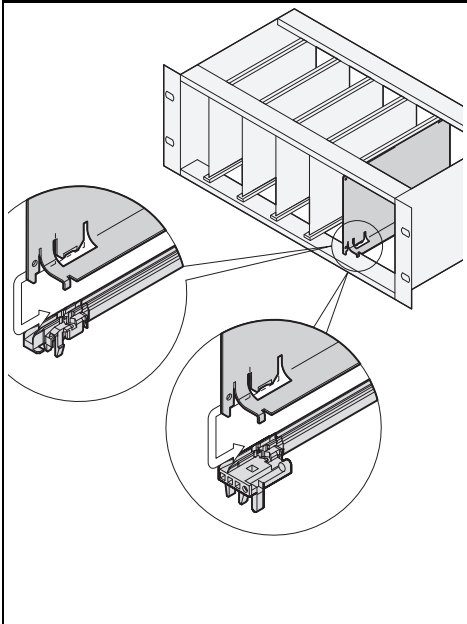
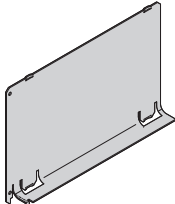
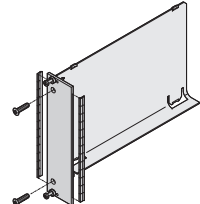
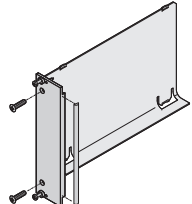
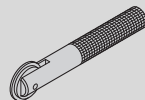
Note

- Reinforcement for plastic profiles (PVC) > 280 mm depth available on request

Desk-top cases - *ratiopac PRO* / -air

Air baffle for slots

Order Information

			Air baffle without front panel	Air baffle with front panel	
				front panel with lateral groove for stainless steel EMC gasket	U front panel for textile EMC gasket
			 <p>Al, 1 mm, incl. assembly kit; prevents an air short circuit in unoccupied slot positions; is pushed into the groove of the guide rails</p>	 <p>Air baffle, Al, 1 mm; front panel, Al, 2.5 mm, front anodised, rear conductive; EMC gasket (stainless steel); fixing material kit prevents an air short-circuit where slots are unoccupied; is pushed into the groove of the guide rails</p>	 <p>Air deflector, Al, 1 mm, front panel, Al extrusion, 2.5 mm, front anodised, rear conductive; EMC gasket (textile); fixing material kit prevents an air short-circuit where slots are unoccupied; is pushed into the groove of the guide rails</p>
Depth mm	Width HP	Height U	1 piece	1 piece	1 piece
160	4	3	34562-823	20848-712	20848-728
160	4	6	34562-826	20848-720	20848-736
160	8	3	34562-833	20848-714	20848-730
160	8	6	34562-836	20848-722	20848-738
160	12	3	34562-843	20848-716	20848-732
160	12	6	34562-846	20848-724	20848-740
220	4	3	34562-824	20848-713	20848-729
220	4	6	34562-827	20848-721	20848-736
220	8	3	34562-834	20848-715	20848-731
220	8	6	34562-837	20848-723	20848-739
220	12	3	34562-844	20848-717	20848-733
220	12	6	34562-847	20848-725	20848-741
Assembly tool for EMC gasket (stainless steel), 1 piece 			-	24560-270	-

Note

- Air baffle for 280 mm deep and for 80 mm rear I/O boards available on request

Overview 0

Cabinets 1

Wall mounted cases 2

Accessories for cabinets and wall mounted cases 3

Climate control 4

Desk-top cases 5

Subracks/ 19" chassis ... 6

Front panels, plug-in units .. 7

Systems 8

Power supply units 9

Backplanes .. 10

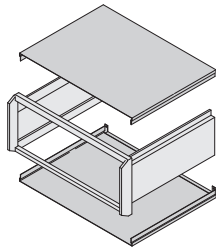
Connectors, front panel component system 11

Appendix 12

Desk-top cases - *propac*PRO

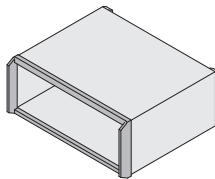


05809001



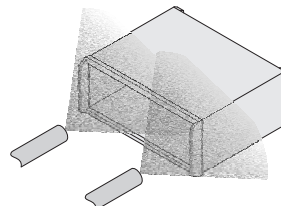
05806052

Easy access provided by removable cladding parts



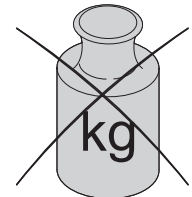
05806050

Extremely robust one-piece die-cast frame



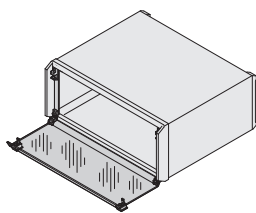
05806055

Non-sensitive, scratch-resistant finish through powder coating



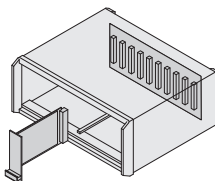
05806056

Low weight



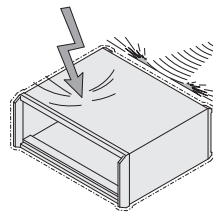
05806054

Wide accessory programme with acrylic glass front hoods, carrying handles, ...



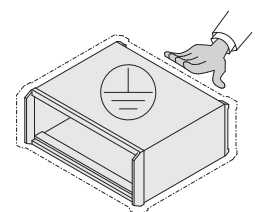
05806053

Assembly possibility for euroboards and backplanes



05806051

EMC version



noa44075

VDE-compliant GND/earthing

Standards

- Internal dimensions in accordance with IEC 60297-3-101
- Ingress protection IP 20 in accordance with IEC 60529
- EMC test in accordance with VG 95373 part 15
- Protective GND/earth connections in accordance with:
 - DIN EN 50178 / VDE 0160
 - DIN EN 60950 / VDE 0805
 - DIN EN 61010-1 / VDE 0411 part 1
 - DIN EN 61010-1A2 / VDE 0411 part 1/A1



Downloads and further important information can be found on the Internet under www.schroff.biz

Aluminium case for 19" components to IEC 60297-3-100 or individual electronics assemblies

- Front frame and side panels in aluminium
- Extensive accessories, matched to portable applications
- Basic level shielding from basic versions up, extended EMC shielding retrofittable
- Design alternative to compacPRO



Desktop cases

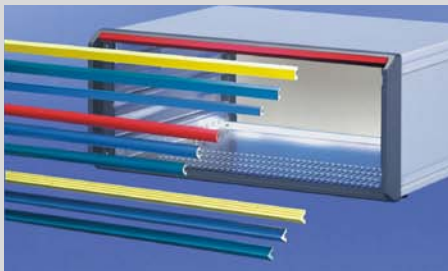
- **Complete case (pre-assembled)**
 - Prepared for 19" components to IEC 60297 for installation of euroboards
 - Basic level shielding from basic versions up, extended EMC shielding retrofittable
 - Height 3 U, 6 U



05809003 05806003

■ Cases

- Pre-assembled cases as basis for individual components or 19" components (IEC 60297)
- Basic level shielding from basic versions up, extended EMC shielding retrofittable
- Height: 2 U, 3 U, 4 U, 6 U
- 3 U and 4 U cases prepared for tip-up carrying handle



05809002

Accessories



30407004

ServicePLUS from page 5.4

e.g. modifications (special colours, special depths, cut-outs in top cover, base plate or side panels)
e.g. assembly service from 1 piece

www.schroff.biz/ServicePLUS

propacPRO

Complete cases
3, 6 U, unshielded/shielded 5.46

Cases 2, 3 U 5.50

Cases 4, 6 U 5.51

Cases for tip-up carrying handle
3, 4 U 5.52

Dimensions 5.53

EMC shielding .. 5.55

Accessories

Front panels 5.54

Rear panels 5.55

Design elements 5.58

Lateral covers .. 5.59

Handles 5.60

Air filters 5.61

Hoods 5.62

Mounting plates 5.64

GND/earthing kit 5.65

Cable holder ... 5.65

Mounting position
horizontal/
central rails 5.66

Horizontal rails . 5.67

Threaded inserts 5.68

Z-rails, perforated rails . 5.69

Combined mounting 5.70

Horizontal board assembly 5.71

Tip-up feet 5.72

Guide rails and ESD clips 5.73

Divider plates ... 5.75

Air flow barrier .. 5.75

ServicePLUS.. 5.4

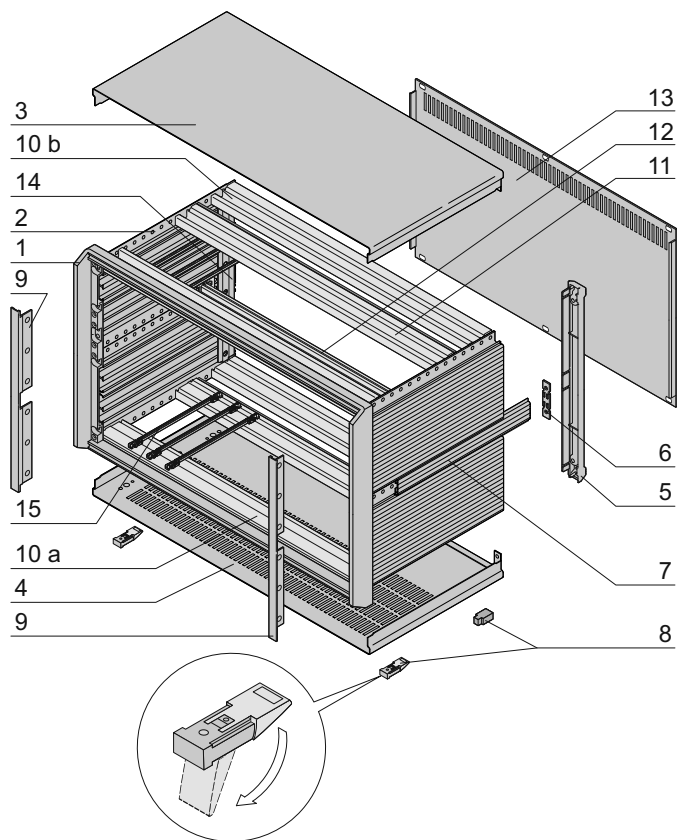
Desk-top enclosure - *propac* PRO

Complete case,
EMC shielded



3 U

05809004



05806106

Maximale Einbautiefe = D - 45
(Distanz: Frontplatte - Rückwand)



ServicePLUS see page 5.4

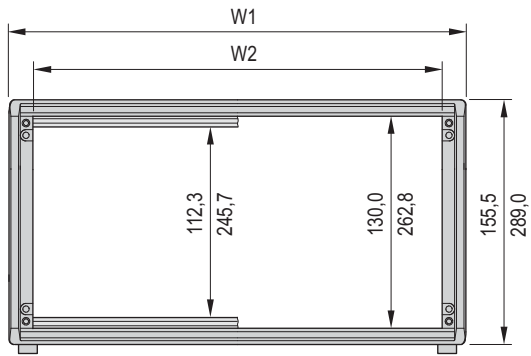
- Desk-top case with pre-configured components, in accordance with IEC 60297-3-101; prepared for 19" components such as plug-in units and euroboards
- Ventilation slots in base plate
- Rear panel with vent slots

Delivery comprises (Items 1-7, 9 and 10 fitted)

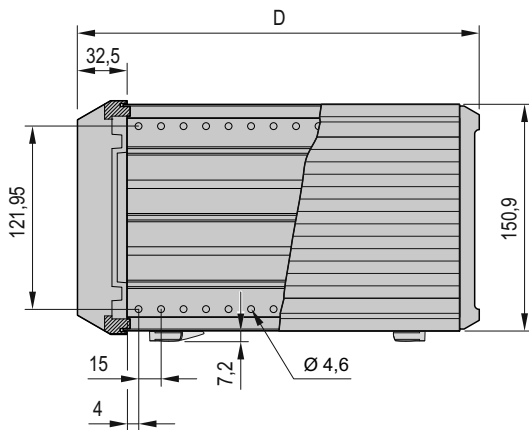
Item	Qty		Description
	3 U	6 U	
1	1	1	Frame, Al die-cast, powder-coated, RAL 7016
2	2	4	Side panel, Al extrusion, powder-coated, RAL 9006, with EMC side panel gasketing
3	1	1	Cover plate, Al, 1 mm, internal surface conductive, visible surface powder-coated, RAL 9006, with GND/earthing tag
4	1	1	Base plate, Al, 1 mm, internal surface conductive, visible surface powder-coated, RAL 9006, with GND/earthing tag, base plate with 4 rows of ventilation slots
5	2	2	End piece for rear, ABS, RAL 7016, UL 94 V-0; can be used as a foot when case is used in vertical position
6	-	2	Adaptor bracket (only at 6 U)
7	-	2	Cover trim for side panel, Al extrusion, powder-coated, RAL 9006
8	4	4	Case foot with anti-slip protection, PC, black, UL 94 V-0 (20603-002)
9	2	2	Lateral trim, Al extrusion, visible surface painted, RAL 7016 with EMC sealing (textile)
10a	2	2	Horizontal rail, Al extrusion, with threaded insert, St, M2.5; perforated strip, Al, 1 mm, EMC contact strip between front panel - horizontal rail - cover plate
10b	2	2	Horizontal rail, Al extrusion, with threaded insert, St, M2.5; EMC contact strip between rear panel - horizontal rail - cover plate
11	2	2	Centre horizontal rail top/bottom, Al extrusion, with threaded insert, St, M2.5 and insulation strip, PBT, UL 94 V-0 (for indirect backplane mounting); enclosed loose
12	-	1	Centre horizontal rail, Al extrusion, anodised, conductive surfaces, with two threaded inserts, St, M2.5 and two insulation strips, PBT, UL 94 V-0
13	1	1	Rear panel with perforation, Al, 2.5 mm, anodised, with EMC sealing (textile) affixed
14	2	2	EMC support profile rear, Al extrusion, EMC sealing (textile) affixed
15	10/ 20	10/ 20	Guide rail for 160 mm board length, PBT, UL 94 V-0, 28/42 HP 10 pieces, 63/84 HP 20 pieces
16	1	1	GND/earthing kit
17	1	1	Assembly kit

Desk-top enclosure - *propac*PRO

Complete cases, EMC shielded

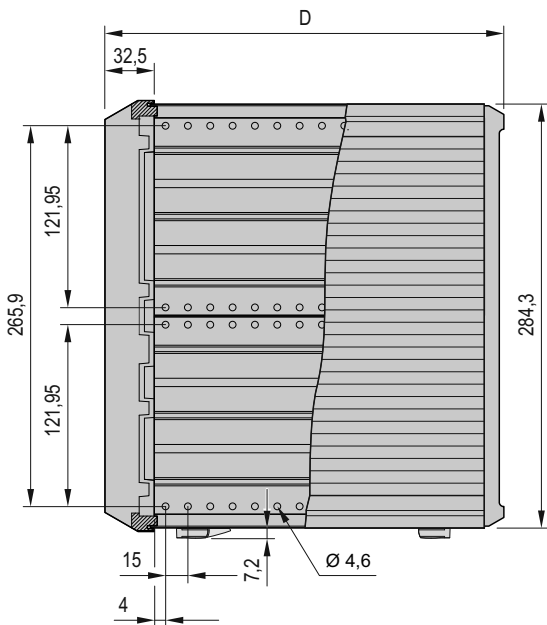


05809051



05806060

3 U



05806062

6 U

Order Information

Usable width	Width W1	Depth D	Height	Part no.	
W2	W1	D	U		
HP	mm	mm	mm		
28	147.3	185.9	266	3	24576-101
28	147.3	185.9	326	3	24576-102
42	218.4	257	266	3	24576-103
42	218.4	257	326	3	24576-104
42	218.4	257	386	3	24576-105
63	325.1	363.7	266	3	24576-106
63	325.1	363.7	326	3	24576-107
63	325.1	363.7	386	3	24576-108
84	431.8	470.3	266	3	24576-109
84	431.8	470.3	326	3	24576-110
84	431.8	470.3	386	3	24576-111
84	431.8	470.3	446	3	24576-112
84	431.8	470.3	506	3	24576-113
84	431.8	470.3	326	6	24576-121
84	431.8	470.3	446	6	24576-122

Note

- Dimension drawings of side panel see from page 5.53



For further information www.schroff.biz/oneclick
oneClick search code = Part no.

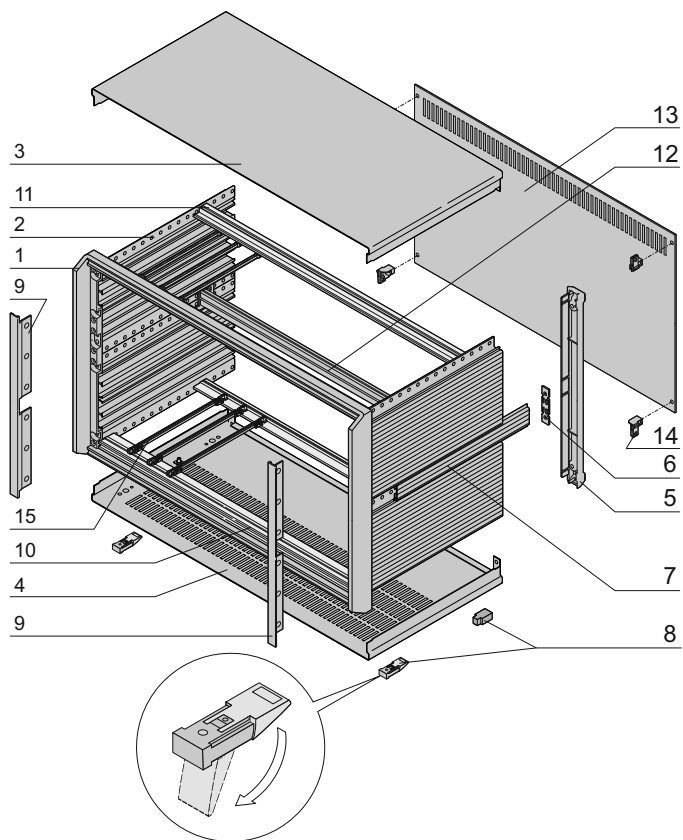
Desk-top enclosure - *propac* PRO

Complete cases,
unshielded



3 U

05809004



05806105

Maximum mounting depth = D - 45
(Distance: front panel - rear panel)

- Desk-top case with pre-configured components, in accordance with IEC 60297-3-101; prepared for 19" components such as plug-in units and euroboards
- Ventilation slots in base plate
- Rear panel perforated

Delivery comprises (Items 1-7, 9 and 10 fitted)

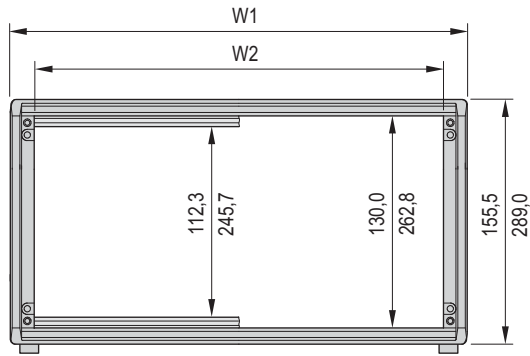
Item	Qty		Description
	3 U	6 U	
1	1	1	Frame, Al die-cast, powder-coated, RAL 7016
2	2	4	Side panel, Al extrusion, powder-coated, RAL 9006
3	1	1	Cover plate, Al, 1 mm, internal surface conductive, visible surface powder-coated, RAL 9006, with GND/earthing tag
4	1	1	Base plate, Al, 1 mm, internal surface conductive, visible surface powder-coated, RAL 9006, with GND/earthing tag, base plate with 4 rows of ventilation slots
5	2	2	End piece for rear, ABS, RAL 7016, UL 94 V-0; can be used as a foot for use in vertical position
6	-	2	Adaptor bracket (only at 6 U)
7	-	2	Cover trim for side panel, Al extrusion, powder-coated, RAL 9006
8	4	4	Case foot with anti-slip protection, PC, black, UL 94 V-0 (20603-002)
9	2	2	Lateral trim, Al extrusion, visible surface painted, RAL 7016 with EMC sealing (textile)
10	2	2	Horizontal rail, Al extrusion, with threaded insert, St, M2.5
11	2	2	Rear horizontal rail, Al extrusion, with threaded insert, St, M2.5 and insulation strips, PBT, UL 94 V-0 (for indirect backplane mounting)
12	-	1	Centre horizontal rail, Al extrusion, anodised, conductive surfaces, with two threaded inserts, St, M2.5 and two insulation strips, PBT, UL 94 V-0
13	1	1	Rear panel with perforation, Al, anodised, 2 mm at 28, 42 and 63 HP, 2.5 mm at 84 HP
14	4	4	Support member for rear panel, Zn die-cast
15	10/ 20	10/ 20	Guide rail for 160 mm board length, PBT, UL 94 V-0, 28/42 HP 10 pieces, 63/84 HP 20 pieces
16	1	1	GND/earthing kit
17	1	1	Assembly kit



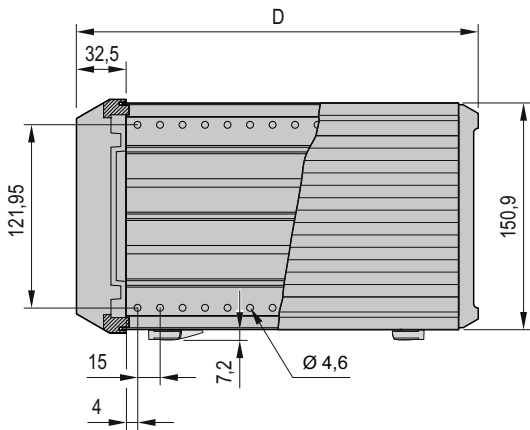
ServicePLUS see page 5.4

Desk-top enclosure - *propacPRO*

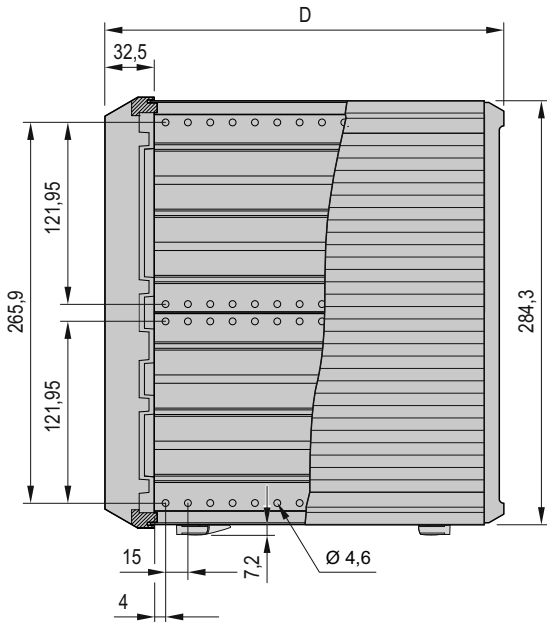
Complete cases, unshielded



05809051



3 U



05806062

6 U

Order Information

Usable width W2	Width W1 W2	Depth D	Height U	Part no.	
HP	mm	mm	mm		
28	147.3	185.9	266	3	24576-001
28	147.3	185.9	326	3	24576-002
42	218.4	257	266	3	24576-003
42	218.4	257	326	3	24576-004
42	218.4	257	386	3	24576-005
63	325.1	363.7	266	3	24576-006
63	325.1	363.7	326	3	24576-007
63	325.1	363.7	386	3	24576-008
84	431.8	470.3	266	3	24576-009
84	431.8	470.3	326	3	24576-010
84	431.8	470.3	386	3	24576-011
84	431.8	470.3	446	3	24576-012
84	431.8	470.3	506	3	24576-013
84	431.8	470.3	326	6	24576-021
84	431.8	470.3	446	6	24576-022

Maximum mounting depth = D - 45
(Distance: front panel - rear panel)

Note

- Dimension drawings of side panel see from page 5.53



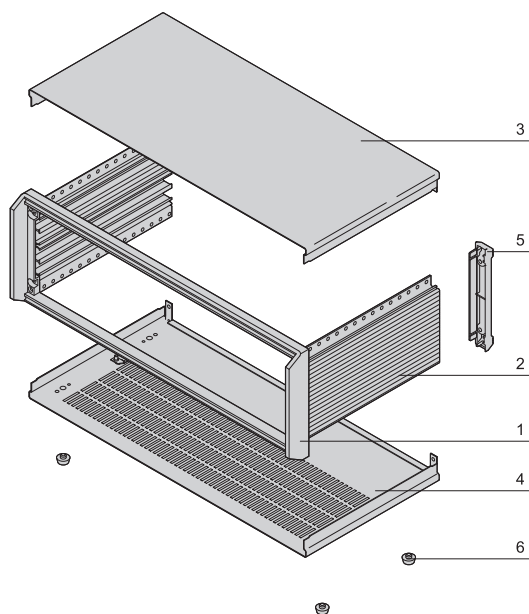
For further information www.schroff.biz/oneclick
oneClick search code = Part no.

Desk-top enclosure - *propac*PRO

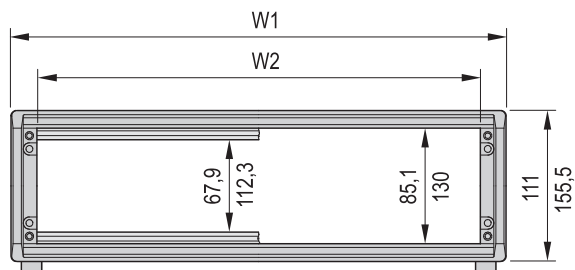
Cases, 2 and 3 U, unshielded



05806001

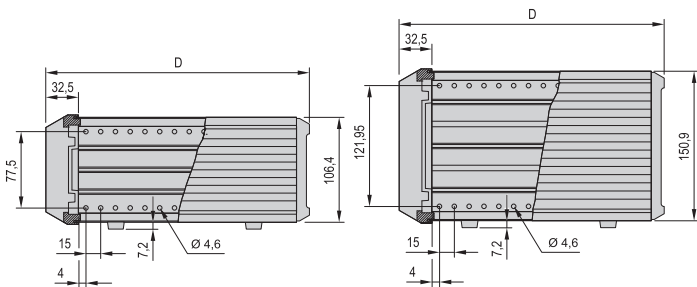


05806057



05806077

Cross-section 2 U, 3 U



2 U

05806059

3 U

05806060

- Desk-top case with pre-configured components, in accordance with IEC 60297-3-101; prepared for 19" components such as plug-in units and euroboards
- Ventilation slots in base plate
- Prepared for GND/earthing

Delivery comprises (kit, items 1 - 5 fitted)

Item	Qty	Description
1	1	Frame, Al die-cast, powder-coated, RAL 7016
2	2	Side panel, Al extrusion, powder-coated, RAL 9006
3	1	Cover plate, Al, 1 mm, internal surface conductive, visible surface powder-coated, RAL 9006, with GND/earthing tag
4	1	Base plate, Al, 1 mm, internal surface conductive, visible surface powder-coated, RAL 9006, with GND/earthing tag, base plate with 4 rows of ventilation slots
5	2	End piece for rear, ABS, RAL 7016, UL 94 V-0; can be used as a foot for use in vertical position
6	4	Case foot with anti-slip protection, PC, black, UL 94 V-0
7	1	Assembly kit

Order Information

Usable width	Width W1	Depth D	2 U	3 U	
W2	W2		Part no.	Part no.	
HP	mm	mm			
28	147.3	185.9	266	-	14576-101
28	147.3	185.9	326	-	14576-103
42	218.4	257	266	14576-021	14576-121
42	218.4	257	326	14576-023	14576-123
42	218.4	257	386	-	14576-125
63	325.1	363.7	266	14576-041	14576-141
63	325.1	363.7	326	14576-043	14576-143
63	325.1	363.7	386	14576-045	14576-145
84	431.8	470.3	266	-	14576-161
84	431.8	470.3	326	-	14576-163
84	431.8	470.3	386	-	14576-165
84	431.8	470.3	446	-	14576-167
84	431.8	470.3	506	-	14576-169

Accessories

GND/earthing kit Cu wire 1.5 mm ² , PVC sleeve, green/yellow, links side panels, base, cover and rear panel, PU 1 piece	21102-001
---	-----------

Maximum mounting depth = D - 45
(Distance: front panel - rear panel)

Note

- Case, 3 U with side panel for tip-up carrying handle, see page 5.52
- Dimensions see page 5.48
- Dimensions side panel, see page 5.53



For further information www.schroff.biz/oneclick
oneClick search code = Part no.



ServicePLUS see page 5.4

Desk-top enclosure - *propac*PRO

Cases, 4 and 6 U, unshielded

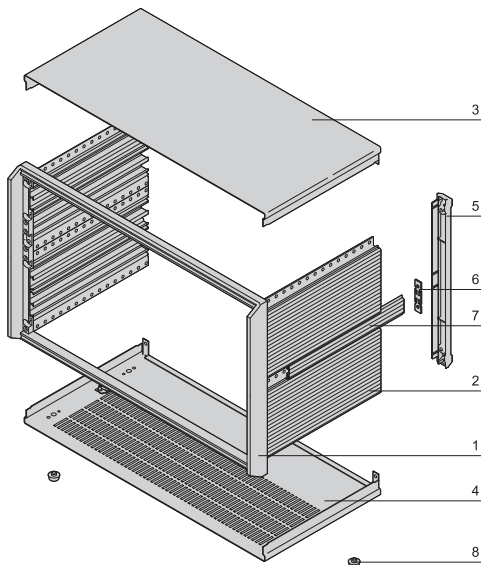


05806003

- Desk-top case with pre-configured components, in accordance with IEC 60297-3-101; prepared for 19" components such as plug-in units and euroboards
- Ventilation slots in base plate
- Prepared for GND/earthing

Delivery comprises (kit, items 1 - 6 fitted)

Item	Qty		Description
	4 U	6 U	
1	1	1	Frame, Al die-cast, powder-coated, RAL 7016
2	2	4	Side panel, Al extrusion, powder-coated, RAL 9006
3	1	1	Cover plate, Al, 1 mm, internal surface conductive, visible surface powder-coated, RAL 9006, with GND/earthing tag
4	1	1	Base plate, Al, 1 mm, internal surface conductive, visible surface powder-coated, RAL 9006, with GND/earthing tag, base plate with 4 rows of ventilation slots
5	2	2	End piece for rear, ABS, RAL 7016, UL 94 V-0; can be used as a foot for use in vertical position
6	-	2	Adaptor bracket, Al
7	2	2	Cover trim for side panel, Al extrusion, powder-coated, RAL 9006
8	4	4	Case foot with anti-slip protection, PC, black, UL 94 V-0
9	1	1	Assembly kit



05806058

Order Information

Usable width W2	Width W1 W2	Depth D mm	4 U	6 U	
			Part no.	Part no.	
42	218.4	257	266	14576-221	-
42	218.4	257	326	14576-223	-
63	325.1	363.7	266	14576-241	-
63	325.1	363.7	326	14576-243	-
63	325.1	363.7	386	14576-245	-
63	325.1	363.7	446	14576-247	-
84	431.8	470.3	326	-	14576-463
84	431.8	470.3	386	14576-265	14576-465
84	431.8	470.3	446	14576-267	14576-467
84	431.8	470.3	506	14576-269	14576-469

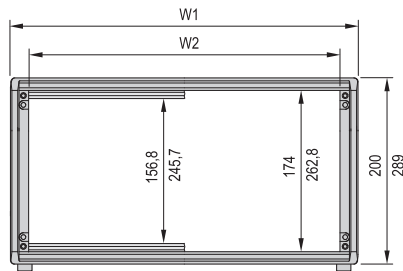
Accessories

GND/earthing kit Cu wire 1.5 mm², PVC sleeve, green/yellow, links side panels, base, cover and rear panel, PU 1 piece 21102-001

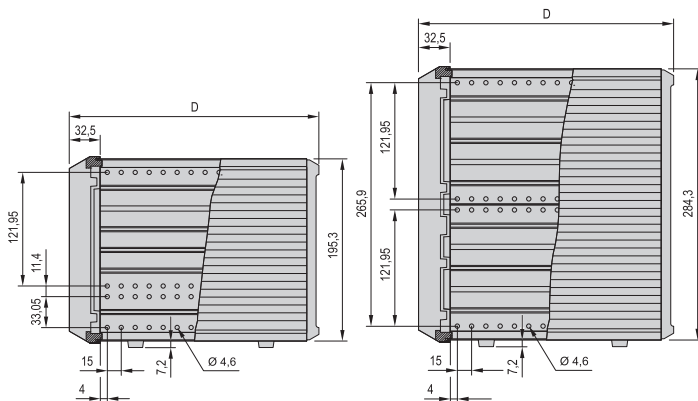
Maximum mounting depth = D - 45
(Distance: front panel - rear panel)

Note

- Case, 4 U with side panel for tip-up carrying handle, see page 5.52
- Dimensions side panel, see page 5.53



05806078



05806061

05806062

4 U

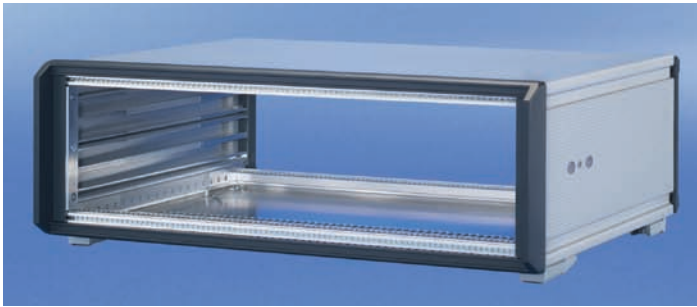
6 U



ServicePLUS see page 5.4

Desk-top enclosure - *propac* PRO

3 U and 4 U cases, unshielded,
with holes for tip-up carrying handle



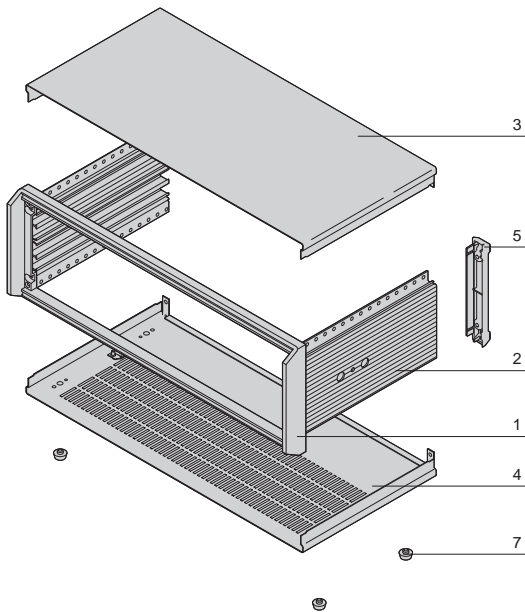
05812006

- Desk-top case with pre-configured components, in accordance with IEC 60297-3-101; prepared for 19" components such as plug-in units and euroboards
- Ventilation slots in base plate
- Prepared for GND/earthing
- Prepared for fitting of tip-up carrying handle

NEW

Delivery comprises (kit, items 1 - 6 fitted)

Item	Qty	Description	
3 U		4 U	
1	1	1	Frame, Al die-cast, powder-coated, RAL 7016
2	2	4	Side panel, Al extrusion, powder-coated, RAL 9006; with drill holes for tip-up carrying handle
3	1	1	Cover plate, Al, 1 mm, internal surface conductive, visible surface powder-coated, RAL 9006, with GND/earthing tag
4	1	1	Base plate, Al, 1 mm, internal surface conductive, visible surface powder-coated, RAL 9006, with GND/earthing tag, base plate with 4 rows of ventilation slots
5	2	2	End piece for rear, ABS, RAL 7016, UL 94 V-0; can be used as a foot for use in vertical position
6	-	2	Cover trim for side panel, Al extrusion, powder-coated, RAL 9006
7	4	4	Case foot with anti-slip protection, PC, black, UL 94 V-0
8	1	1	Assembly kit



05812050

Order Information

Usable width	Width W1	Depth D	3 U	4 U	
W2	W2		Part no.	Part no.	
HP	mm	mm			
42	218.4	257.0	326	14577-123	14577-223
42	218.4	257.0	386	14577-125	-
63	325.1	363.7	326	14577-143	14577-243
63	325.1	363.7	386	14577-145	14577-245
84	431.8	470.3	326	14577-163	-
84	431.8	470.3	386	14577-165	14577-265

Accessories

GND/earthing kit Cu wire 1.5 mm², PVC sleeve, green/yellow, links side panels, base, cover and rear panel, PU 21102-001
1 piece

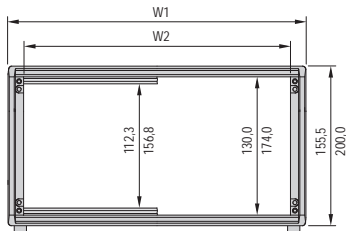
Tip-up carrying handle for 42 HP case width, PU 1 kit 24576-071

Tip-up carrying handle for 63 HP case width, PU 1 kit 24576-072

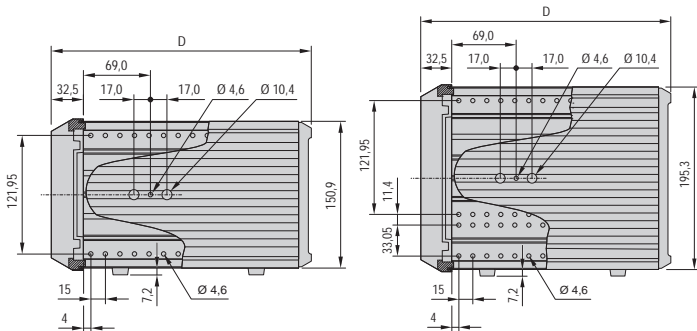
Tip-up carrying handle for 84 HP case width, PU 1 kit 24576-073

Note

- Dimensions see page 5.48
- Dimensions side panel, see page 5.53



05812051



3 U

05812052

4 U

05812053



For further information www.schroff.biz/oneclick
oneClick search code = Part no.

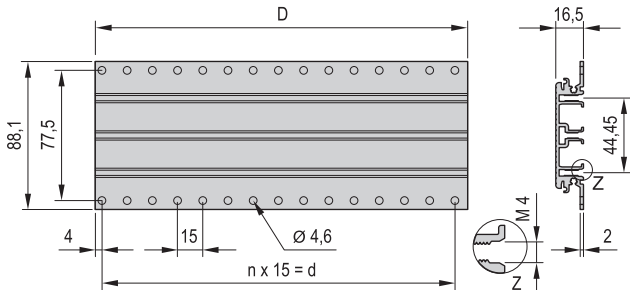


ServicePLUS see page 5.4

Desk-top enclosure - *propacPRO*

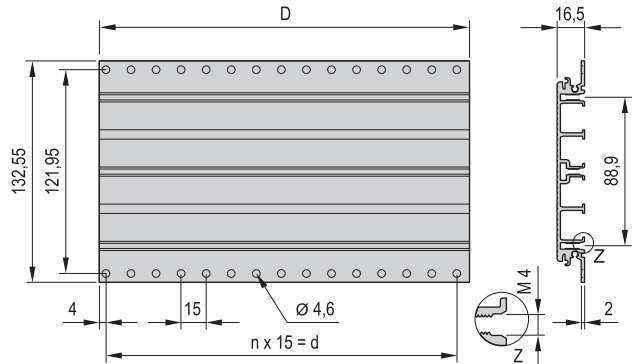
Dimensions

Extruded side panel 2 U



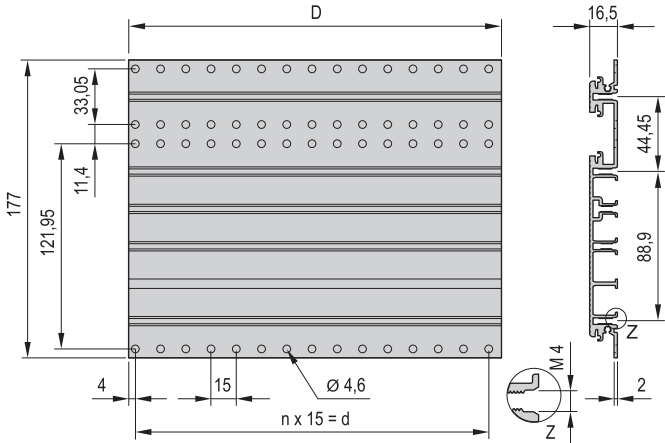
05806079

Extruded side panel 3 U



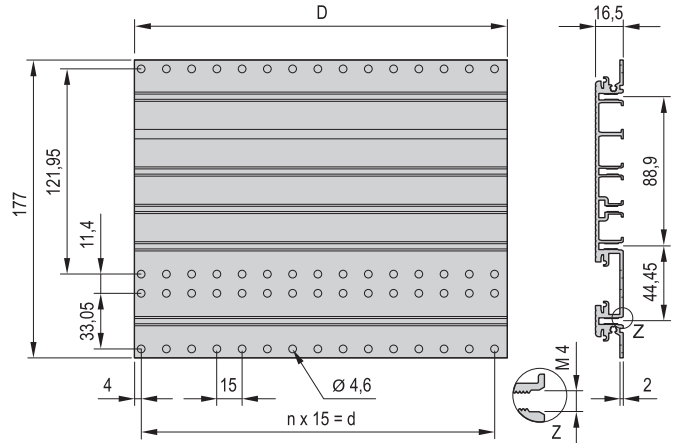
05806080

Extruded side panel 4 U, right



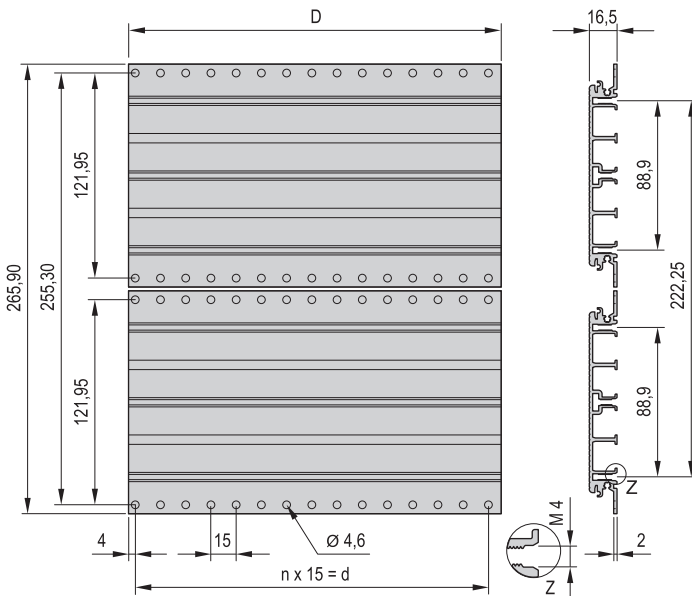
05806081

Extruded side panel 4 U, left



05806082

Extruded side panel 6 U



05806083

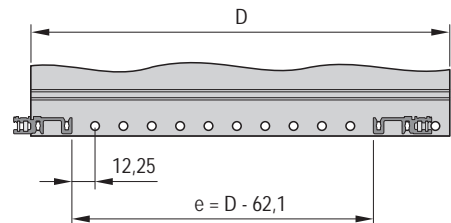
Dimensions table

For case depth	D	d	n
mm	mm	mm	
266	221.6	210	14
326	281.6	270	18
386	341.6	330	22
446	401.6	390	26
506	461.6	450	30

Note

A side panel for case 6 U consists of 2 pieces 3 U extruded side panels

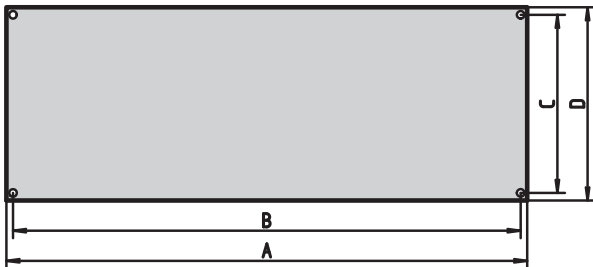
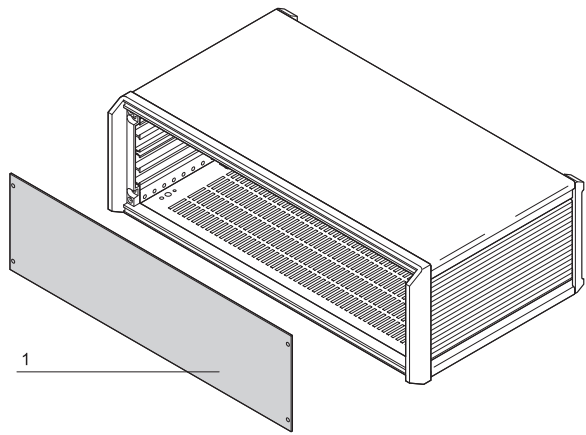
Side panel with horizontal rail



05806107

Desk-top enclosure - *propac* PRO

Front panel, unshielded,
for mounting on case frame



05806063

PPA43756

Delivery comprises

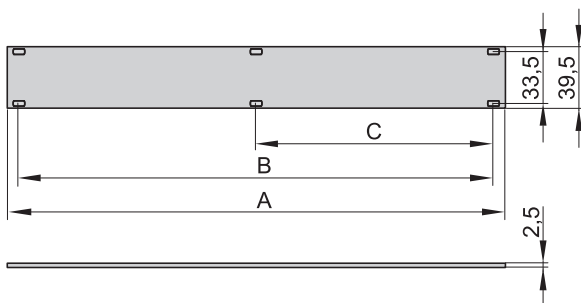
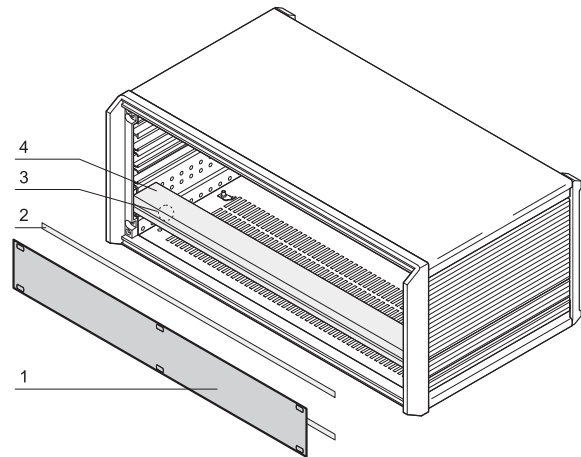
Item	Qty	Description
1	1	Full-width front panel, Al, 2 mm (on 84 HP = 2.5 mm), anodised, cut edges plain
2	1	Assembly kit

Order Information

For case height	For case width	A	B	C	D	Part no.
U	HP	mm	mm	mm	mm	
2	42	238.7	230.0	74.0	84.0	20850-128
2	63	345.4	336.7	74.0	84.0	20850-129
2	84	452.0	443.3	74.0	84.0	20850-130
3	28	167.6	158.9	118.5	128.5	20850-134
3	42	238.7	230.0	118.5	128.5	20850-135
3	63	345.4	336.7	118.5	128.5	20850-136
3	84	452.0	443.3	118.5	128.5	20850-137
4	42	238.7	230.0	162.9	172.9	20850-142
4	63	345.4	336.7	162.9	172.9	20850-143
4	84	452.0	443.3	162.9	172.9	20850-144
6	84	452.0	443.3	251.8	261.8	20850-158

■ EMC front panel see chapter Front Panels, page 7.7

Front panel, 1 U, unshielded, for 4 U case,
for mounting on horizontal rails



05806064

05806065

Delivery comprises

Item	Qty	Description
1	1	Front panel, Al, 2.5 mm, front anodised, rear iridescent green chromated

Order Information

Width	A	B	C	Front panel
HP	mm	mm	mm	Part no.
28	141.9	127.0	–	20850-423
42	213.0	198.1	101.6	20850-424
63	319.7	304.8	157.5	20850-425
84	426.4	411.5	203.2	20850-426

Note

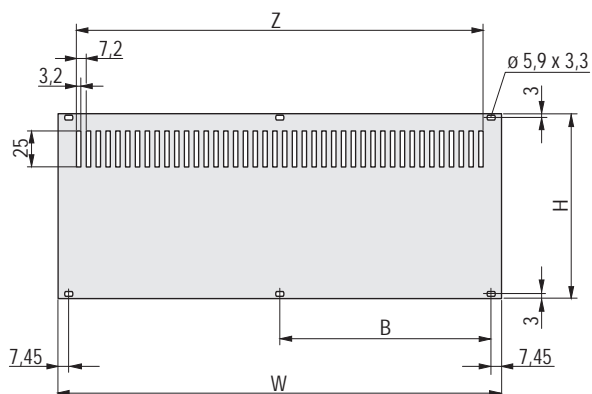
■ Please order items 2, 3 and 4 separately

Width	Item 2	Item 3	Item 4
HP	EMC gasket, front panel/ horizontal rail PU 10 pieces	EMC gasketing kit horizontal rails, 1 piece	Horizontal rail type H-KD, 1 piece (SPQ 101)
HP	Part no.	Part no.	Part no.
28	24560-229	24562-528	34560-228
42	24560-231	24562-542	34560-242
63	24560-233	24562-563	34560-263
84	24560-235	24562-584	34560-284

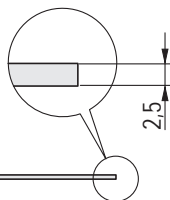
1) SPQ (standard pack quantity): Order number includes 1 piece, but delivery is exclusively made in standard pack quantity (SPQ); please order at least the SPQ quantity or a multiple thereof

Desk-top enclosure - *propacPRO*

Rear panel, perforated,
for mounting on horizontal rails

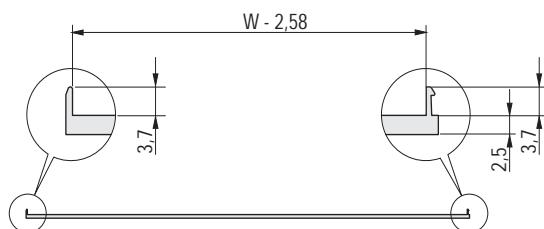


01802055



01804050

Unshielded



01802055

Shieldable

- Two versions: unshielded, Al, 2.5 mm shieldable, Al extrusion (textile EMC gasketing retrofittable)

Delivery comprises

Item	Qty	Description
1	1	Rear panel, Al, 2.5 mm, front: anodised, rear: iridescent green chromated; unshielded or shieldable with EMC sealing (textile)

Order Information

Height U	H mm	Width W HP mm	B mm	h mm	unshielded Part no.	shieldable Part no.
2	84	28	141.9	-	78	30849-007 20848-679
2	84	42	213	101.6	78	30849-014 20848-680
2	84	63	319.7	157.5	78	30849-015 20848-681
2	84	84	426.4	208.3	78	30849-016 20848-682
3	128.4	28	141.9	-	122.4	30849-008 20848-633
3	128.4	42	213	101.6	122.4	30849-021 20848-634
3	128.4	63	319.7	157.5	122.4	30849-022 20848-635
3	128.4	84	426.4	208.3	122.4	30849-023 20848-636
4	172.9	28	141.9	-	166.9	30849-009 20848-656
4	172.9	42	213	101.6	166.9	30849-028 20848-657
4	172.9	63	319.7	157.5	166.9	30849-029 20848-658
4	172.9	84	426.4	208.3	166.9	30849-030 20848-659
6	261.8	28	141.9	-	255.8	30849-010 20848-640
6	261.8	42	213	101.6	255.8	30849-035 20848-641
6	261.8	63	319.7	157.5	255.8	30849-036 20848-642
6	261.8	84	426.4	208.3	255.8	30849-037 20848-643

- Please order textile EMC gasket separately
- EMC gasket rear panel - horizontal rail see page 5.65
- Horizontal rails see page 5.67
- Assembly parts see page 6.63

Textile EMC gasket

- The textile EMC gasket is glue fixed laterally on the front panel, always in the groove on the right-hand side of the profile
- Temperature range -40 °C ... +70 °C

Delivery comprises ()

Item	Qty	Description
1	10/100	Textile EMC gasket, core: foam, sleeve: textile cladding with CuNi coating

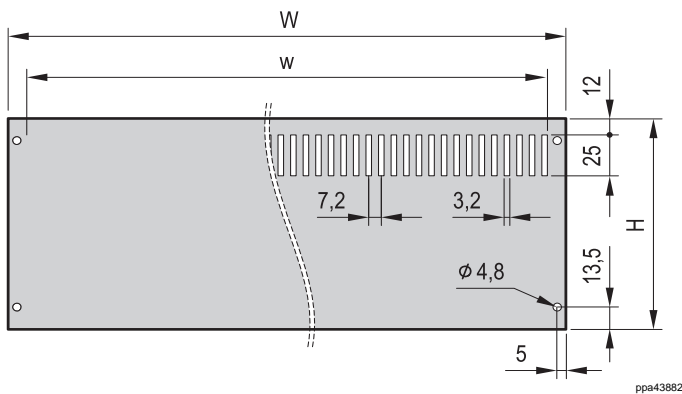
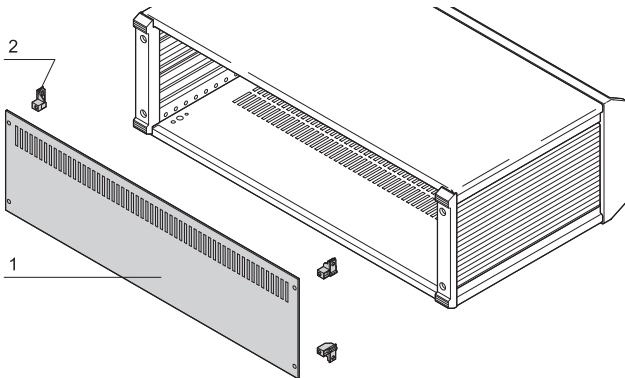
Order Information

Height U	Height mm	Qty/PU pieces	Part no.
2	52	10	21101-857
3	97	100	21101-854
3	97	10	21101-853
4	142	10	21101-858
6	232	100	21101-856
6	232	10	21101-855

04602054

Desk-top enclosure - *propac* PRO

Rear panel, unshielded,
for mounting on case frame



- Mounting with support brackets on case (right and left)
- Versions with and without perforation

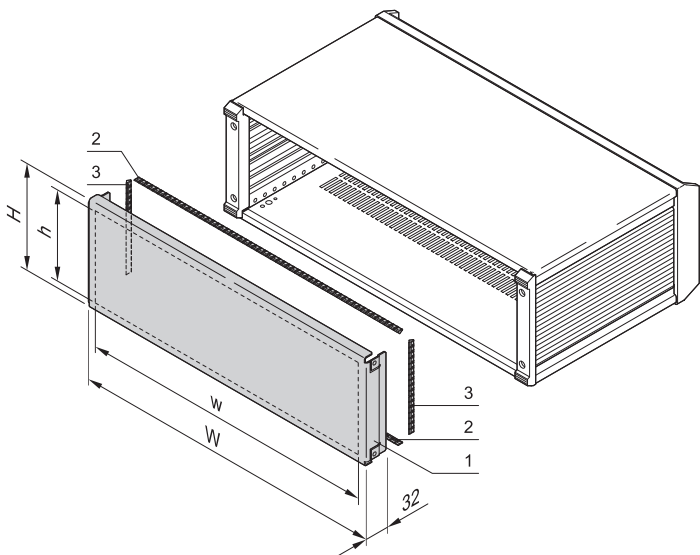
Delivery comprises

Item	Qty	Description
1	1	Full-width rear panel, Al, anodised, cut edges blank 28, 42, 63 HP = 2 mm thickness 84 HP = 2.5 mm thickness
2	4	Support member, Zn die-cast
3	1	Assembly kit

Order Information

Height U	H	Width W	w	With perforation Part no.	Without perforation Part no.
2	84	42	213	24576-144	24576-044
2	84	63	320	24576-145	24576-045
2	84	84	426	24576-146	24576-046
3	128.5	28	142	24576-147	24576-047
3	128.5	42	213	24576-148	24576-048
3	128.5	63	320	24576-149	24576-049
3	128.5	84	426	24576-150	24576-050
4	172.9	42	213	24576-152	24576-052
4	172.9	63	320	24576-153	24576-053
4	172.9	84	426	24576-154	24576-054
6	261.8	84	426	24576-158	24576-058

Rear panel, shielded,
for mounting on case frame



- Mounts on case (left, right)
- Without perforation

Delivery comprises

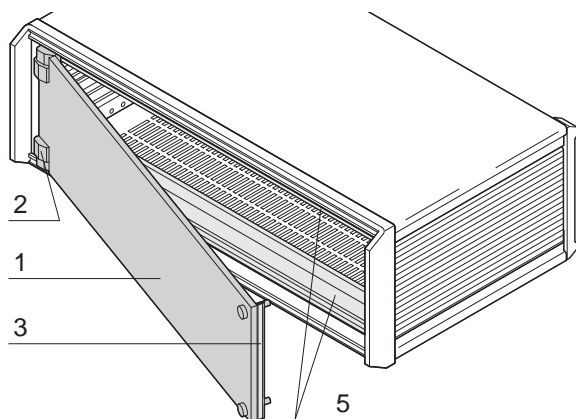
Item	Qty	Description
1	1	Full-width EMC rear panel, Al 1.5 mm, passivated, with GND/earthing connection (Faston 6.3 mm)
2	2	Textile EMC gasketing, for mounting top and bottom, core: foam, sleeve: textile cladding with CuNi coating
3	2	Textile EMC gasketing, for mounting left and right, core: foam, sleeve: textile cladding with CuNi coating
4	1	Assembly kit

Order Information

Height U	H	Height h	Width W	w	Part no.
2	101.5	84	42	217.9	24576-244
2	101.5	84	63	324.6	24576-245
3	146	128.4	28	146.8	24576-247
3	146	128.4	42	217.9	24576-248
3	146	128.4	63	324.6	24576-249
3	146	128.4	84	431.3	24576-250
4	190.4	172.9	42	217.9	24576-252
4	190.4	172.9	63	324.6	24576-253
4	190.4	172.9	84	431.3	24576-254
6	279.3	261.8	84	431.3	24576-258

Desk-top enclosure - *propacPRO*

Front panel, hinged, shielded, for mounting on horizontal rails



- Front panel with textile EMC gasketing
- Hinges can be fitted left or right
- Suitable for europacPRO subrack and ratiopacPRO, compacPRO and propacPRO cases

Delivery comprises (kit)

Item	Qty	Description
1	1	Front panel, hinged, Al, 2.5 mm, front anodised, rear iridescent green chromated
2	2	Hinge, Zn die-cast, chrome-plated
3	1	Textile EMC gasket core: foam, sleeve: textile cladding with CuNi coating
4	1	Assembly kit

05806102

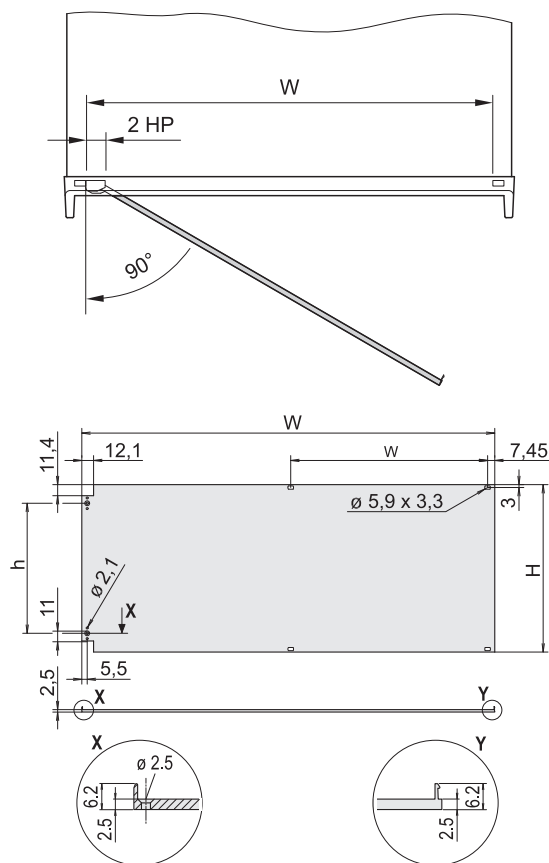
Order Information

Height	Width	H	h	W	w	Part no.
U	HP	mm	mm	mm	mm	
3	84	128.4	89.9	426.4	203.2	20848-611
6	84	261.8	223.2	426.4	203.2	20848-617
Item 5, Horizontal rail Type H-VT heavy duty, recessed mounting 84 HP, 1 piece (SPQ 10)						34560-784

Note

- Usable width reduced by 2 HP (hinged side)
- Horizontal rail (item 5) for front panel mounting is required, please order separately
- Lateral trim is necessary, please order separately, see page 5.59

05806097



04602081



For further information www.schroff.biz/oneclick
OneClick search code = Part no.

EMC side panel gasket

- For EMC shielding between side panel and top cover or base plate (sufficient for at least 1 case)

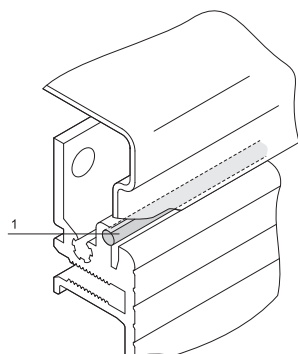
Order Information

Item	Description	Qty/PU	Part no.
1	Sealing cord, silicone, silver coated, Ø 2.4 mm, length 2.1 m	1	30850-354



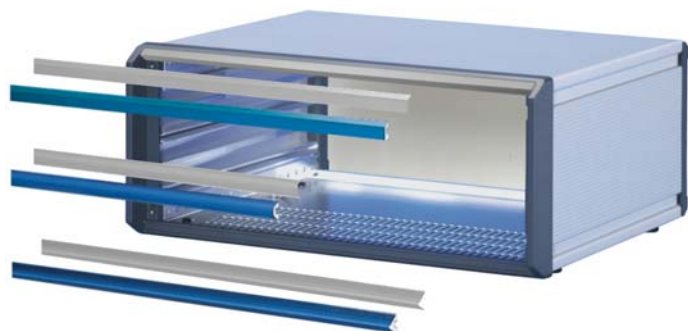
For further information www.schroff.biz/oneclick
OneClick search code = Part no.

05806068



Desk-top enclosure - *propac* PRO

Design elements






05809002

- To individualise case design

Delivery comprises

Qty	Description
1	Design element, Al extrusion, powder-coated
1	Assembly kit

Order Information

Description	Width	Light grey RAL 7035	Brilliant blue RAL 5007
		HP	Part no.
Form 1  <small>PPA43761</small>	42	20850-184	20850-299
	63	20850-185	20850-300
	84	20850-186	20850-301
Form 2  <small>PPA43762</small>	42	20850-190	20850-315
	63	20850-191	20850-316
	84	20850-192	20850-317
Form 3  <small>PPA43763</small>	42	20850-196	20850-331
	63	20850-197	20850-332
	84	20850-198	20850-333

Note

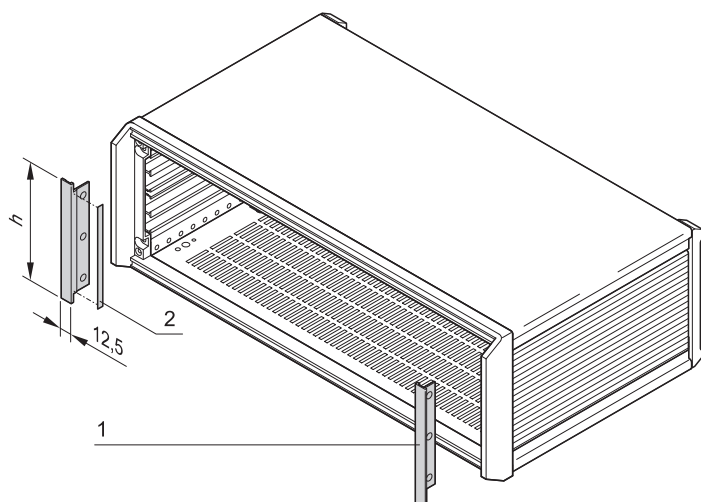
- Size 28 HP and further colours available on request
- Cannot be combined with front hood



For further information www.schroff.biz/oneclick
oneClick search code = Part no.

Desk-top enclosure - *propacPRO*

Trim, front, for EMC shielding



- For lateral covering of frame and for producing a continuous front with front panels and plug-in units
- Serves for lateral shielding of side panels simultaneously

Delivery comprises (kit)

Item	Qty	Description
1	2	Lateral trim, Al extrusion, visible surface painted RAL 7016
2	1	Textile EMC gasket
3	1	Assembly kit

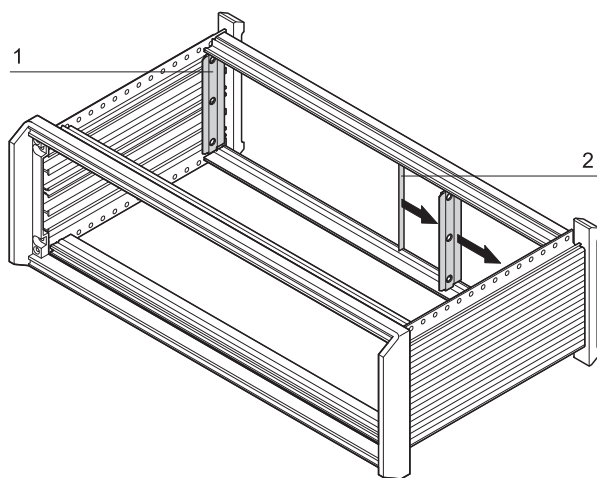
Order Information

For case height	h	Part no.
U	mm	
2	84	24576-017
3	128.5	24576-117
4	172.9	24576-217
6	261.8	24576-417



For further information www.schroff.biz/oneclick
oneClick search code = Part no.

Trim, rear, for EMC shielding



- For vertical EMC shielding between shielded front panels and side panel

Delivery comprises

Item	Qty	Description
1	2	EMC contact strip, Al extrusion
2	1	Textile EMC gasket
3	1	Assembly kit

Order Information

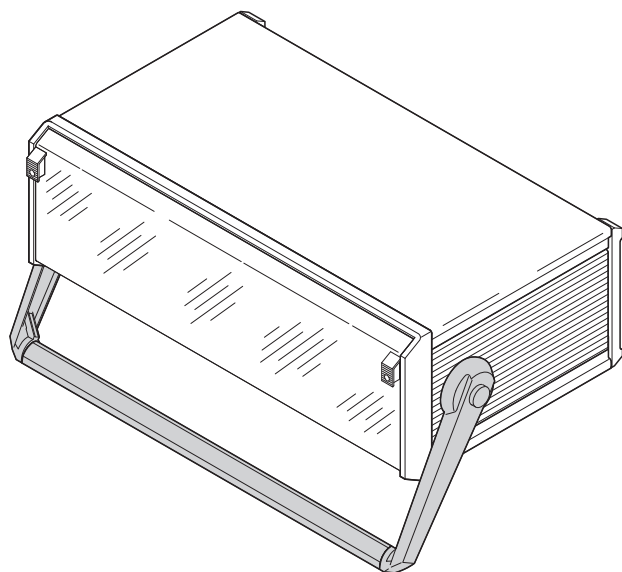
Height	Height	Part no.
U	mm	
2	65.55	24576-018
3	110	24576-118
4	154.45	24576-218
6	243.35	24576-418



For further information www.schroff.biz/oneclick
oneClick search code = Part no.

Desk-top enclosure - *propac*PRO

Tip-up carrying handle



05806101

- With powder-coated carrying bar
- Can be locked in 30° increments
- Load-carrying capacity 20 kg

Delivery comprises (Kit)

Item	Qty	Description
1	1	Carrying bar, Al extrusion, powder-coated, RAL 7016
2	2	Handle side part, Zn, die-cast, powder-coated, length 180 mm
3	2	Safety insert, St, 1.5 mm, black
4	1	Assembly kit for side panel mounting

Order Information

For case width	Part no.
HP	
28	24576-070
42	24576-071
63	24576-072
84	24576-073

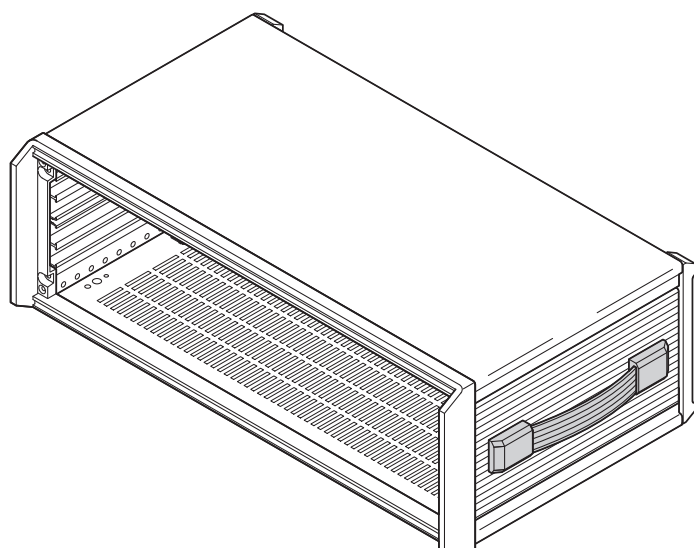
Note

- To fit the tip-up carrying handle, holes must be drilled in the side panel
- Readily prepared cases (3 U and 4 U), for mounting the tip-up carrying handle see page 5.52



For further information www.schroff.biz/oneclick
oneClick search code = Part no.

Strap handle



05806098

- Load-carrying capacity: 20 kg

Delivery comprises (Kit)

Item	Qty	Description
1	1	Band, spring steel, handle, flexible plastic, grey, RAL 7016
2	2	Cover, grey, RAL 7016
3	1	Assembly kit

Order Information

Description	Part no.
Strap handle with adaptor	20850-249

Note

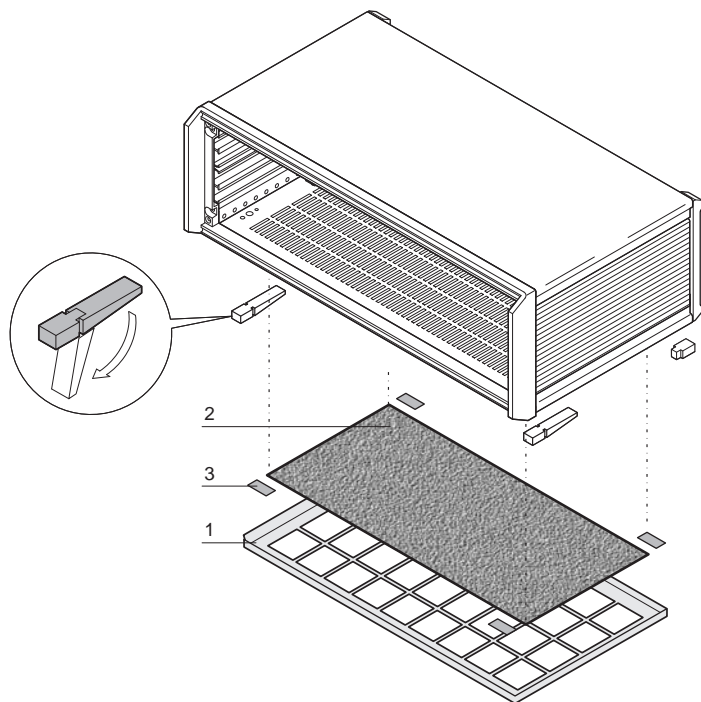
- Holes must be drilled into the side panels to fix the strap handle
- Side panels with holes already drilled available on request
- Usable from case depth of D = 326 mm



For further information www.schroff.biz/oneclick
oneClick search code = Part no.

Desk-top enclosure - *propac*PRO

Air filter



- Subsequent mounting possible without modification or tools
- Filter change without opening the case, IP protection code not affected

Delivery comprises (Kit)

Item	Qty	Description
1	1	Filter holder, Al, 1 mm, powder-coated, RAL 9006
2	1	Filter mat, synthetic fibre
3	1	Velcro

Order Information

For case width	Air filter	Replacement filter 1 piece
HP	Part no.	Part no.
28	24576-093	64571-033
42	24576-094	64571-034
63	24576-095	64571-035
84	24576-096	64571-036
Tip-up foot in plastic silver, similar to RAL 9006, 4 pieces		20603-001
Plastic tip-up foot anthracite, similar to RAL 7016, 4 pieces		20603-002

Note

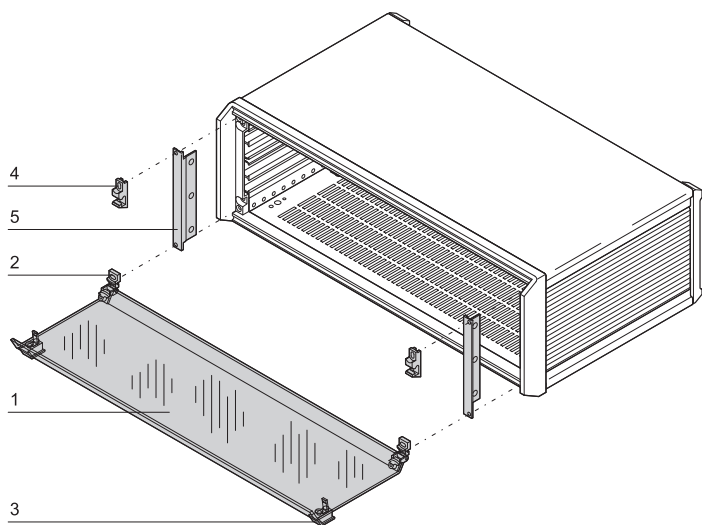
- For optimum ventilation feet must be fixed to the case, please order separately



For further information www.schroff.biz/oneclick
oneClick search code = Part no.

Desk-top enclosure - *propac* PRO

Front hood 3 U

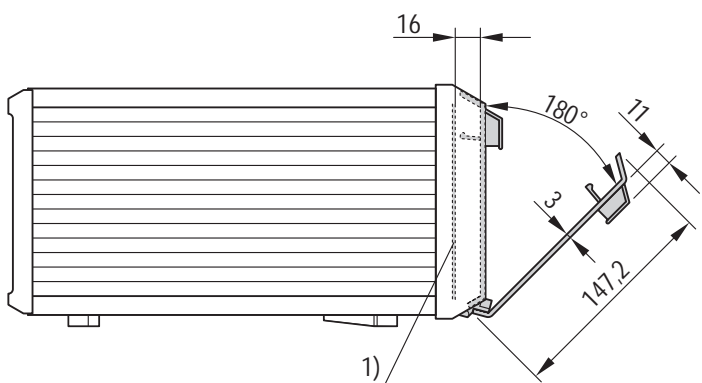


- From acrylic glass, hinged, removable
- Mounting of hinges at top or bottom
- Lock (max. 2) retrofittable
- Lateral cover (item 5) also serves as vertical EMC shielding of side panels

Delivery comprises (kit)

Item	Qty	Description
1	1	Hood, PMMA, tinted blue grey, acrylic glass, 3 mm
2	2	Hinge, PC, UL 94 V-0, RAL 7016
3	2	Handle, PC, UL 94 V-0, RAL 7016
4	2	Retainer, UL 94 V-0, PC, RAL 7016
5	2	Lateral trim, Al extrusion, visible surface painted RAL 7016
6	1	Assembly kit

Order Information

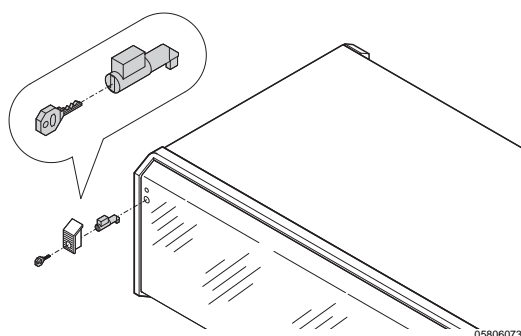


1) Front panel

For case width	Part no.
HP	
28	24576-080
42	24576-081
63	24576-082
84	24576-083
Lock for front hood Locking cylinder, key, assembly kit, PU 1 kit	60850-171
Plastic tip-up foot silver , similar to RAL 9006, 4 pieces	20603-001
Plastic tip-up foot anthracite , similar to RAL 7016, 4 pieces	20603-002

Note

- Cannot be combined with design elements
- Other heights available on request
- Before assembly of hood feet must be fixed to case; please order separately



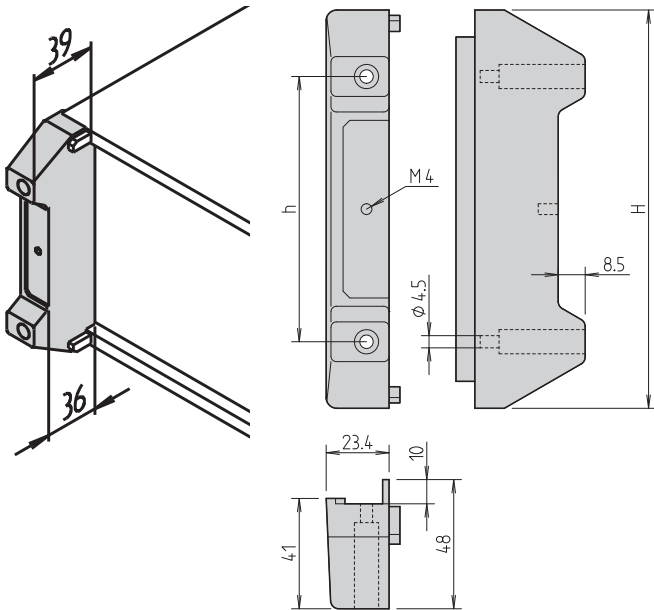
Lock for front hood



For further information www.schroff.biz/oneclick
oneClick search code = Part no.

Desk-top enclosure - *propac*PRO

Foot for rear hood



ppa45113

ppa45106

- Increases the distance between rear panel and parking surface (when used vertically)
- Simplifies cable routing
- Increased shock and vibration damping
- Required for mounting rear hood

Delivery comprises

Item	Qty	Description
1	2	Foot, PU foam
1	1	Assembly kit

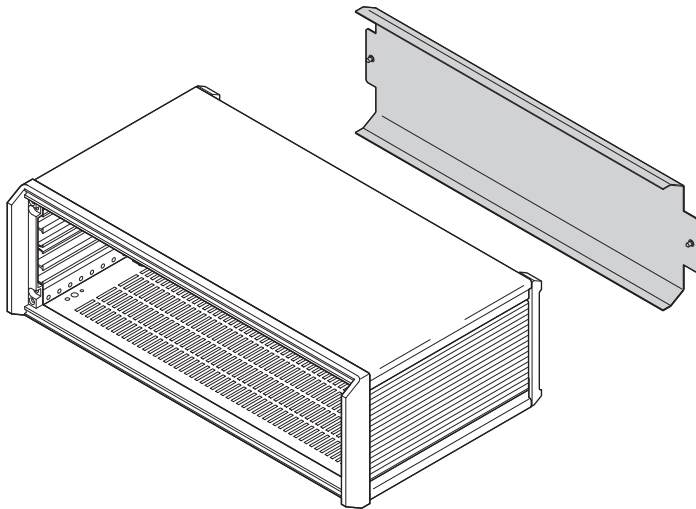
Order Information

For cabinet height	Height H	Part no.
U	mm	
3	147.9	24576-393
4	192.3	24576-394



For further information www.schroff.biz/oneclick
oneClick search code = Part no.

Rear hood



05806075

Delivery comprises (kit)

Item	Qty	Description
1	1	Hood, Al, 1 mm, RAL 9006, fixing with knurled screws
2	1	Assembly kit

Order Information

Height	Width	A	B	C	D	E	Part no.
U	HP	mm	mm	mm	mm	mm	
3	42	246	230	213	145.9	64	24576-086
3	63	352.7	336.7	319.7	145.9	64	24576-087
3	84	459.4	443.4	426.4	145.9	64	24576-088
4	63	352.7	336.7	319.7	190.4	108.5	24576-091
4	84	459.4	443.4	426.4	190.4	108.5	24576-092

Foot for rear hood for case height 3 U, PU foam, black, PU 2 pieces 24576-393

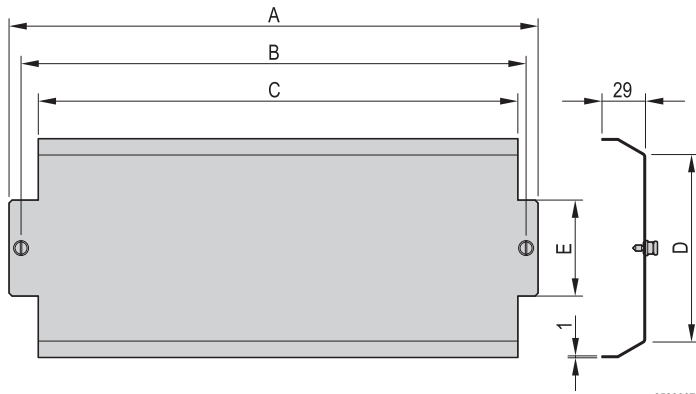
Foot for rear hood for case height 4 U, PU foam, black, PU 2 pieces 24576-394

Note

- To fit the rear hood, feet must be fitted to the rear panel; please order separately



For further information www.schroff.biz/oneclick
oneClick search code = Part no.

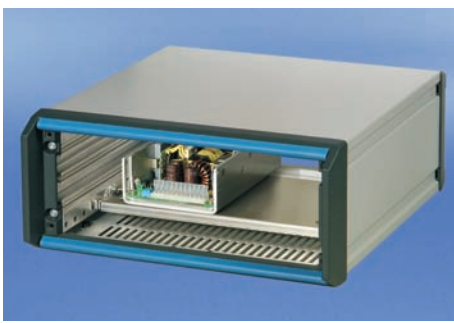


05806076

Desk-top enclosure - *propacPRO*

Mounting plates

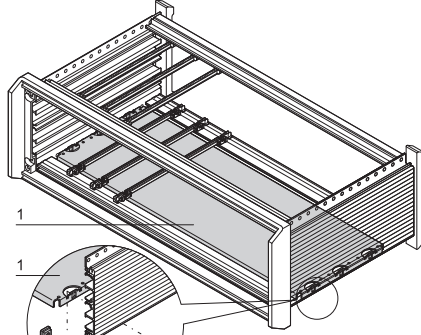
Order Information



05812001

Mounting plate for fixing of heavy components

Mounting plate over **full width**:
mounting is onto the side panels
Mounting plate over **partial width**:
mounting is onto one side panel and a fixing strip or
onto 2 fixing strips



1

1

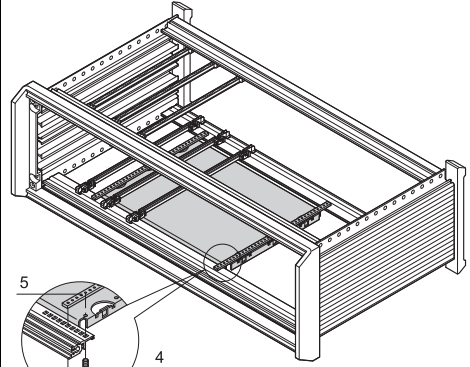
3

2

Al, 1.5 mm; for mounting over partial width,
please order fixing strips separately

06102501

Fixing strip for partial widths



5

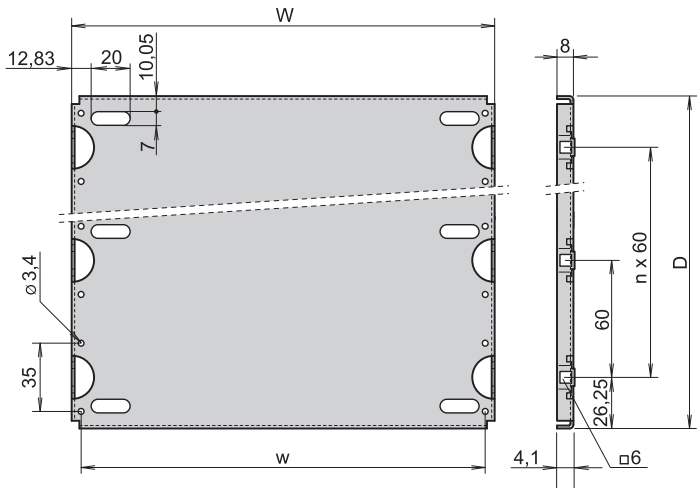
4

5

St, 2 mm, zinc-plated;
is bolted from front to rear onto the horizontal rails;
to fix mounting plates

05806100

Width W HP	W mm	Board lengths mm	1 piece	1 piece
42	217.99	160	34562-746	30840-021
42	217.99	220	34562-750	30840-033
63	324.67	160	34562-747	30840-021
63	324.67	220	34562-751	30840-033
84	431.35	160	34562-748	30840-021
84	431.35	220	34562-752	30840-033
84	431.35	340	34562-760	30840-057
Assembly kit for mounting plate, PU 1 kit (Torx countersunk screw M4 x 5, St, zinc-plated, 12 pieces; screw M4 x 6, St, zinc-plated, 10 pieces; M4 square nut, St, zinc-plated, 10 pieces)			24560-184	-
Assembly kit for fixing strips for partial width mounting plates, Torx screw M2.5 x 5, St, zinc-plated, PU 100 pieces M2.5 x 5, St, zinc-plated, PU 100 pieces			-	24560-146



06103057

Note

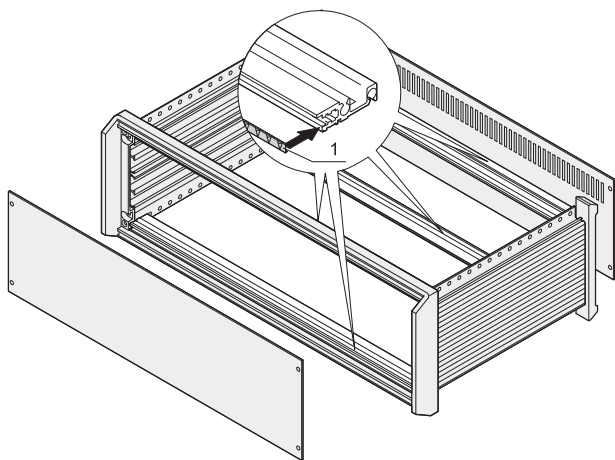
- Please order assembly kit for mounting plate separately
- Fixing strips required for partial width, please order separately
- Other versions on request
- Dimensions side panel with horizontal rail see page 5.53

propacPRO:

D = board length - 47.5 mm; n = 1 for 160 mm board length;
n = 2 for 220 mm board length; n=4 for 340 mm board length

Desk-top enclosure - *propac*PRO

EMC gasket, stainless steel,
between front/rear panel and horizontal rail



05806109

- The EMC contact strip is clipped onto the horizontal rail and forms a conductive link to front or rear panel
- Can be used for front/rear horizontal rails type VT (recessed)

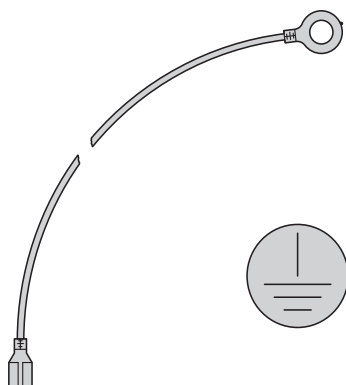
Delivery comprises

Item	Qty	Description
1	10/100	EMC gasket, St, stainless

Order Information

Width HP	Length mm	Qty/PU pieces	Part no.
28	131.78	10	24560-229
42	202.9	10	24560-231
63	304.5	10	24560-233
84	416.56	10	24560-235
84	416.56	100	24560-236

GND/earthing kit



aza43284

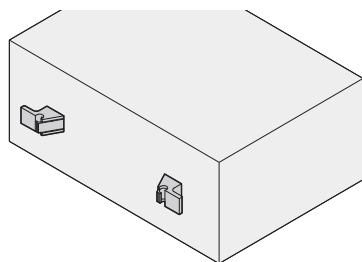
- Protective GND/earthing connections in accordance with:
 - DIN EN 50178/VDE 0160
 - DIN EN 60950/VDE 0805
 - DIN EN 61010-1/VDE 0411 part 1
 - DIN EN 61010-1A2/VDE 0411 part 1A1

- VDE tested

Order Information

Description	Part no.
GND/earthing kit, Cu wire 1.5 mm ² , PVC sleeve, green/yellow, links side panels, base and rear panel, 1 piece	21102-001

Cable holder



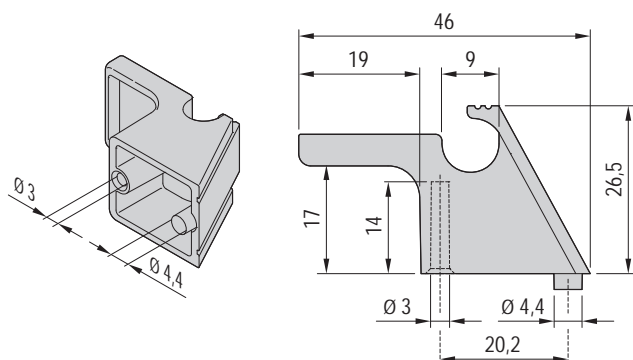
02908053

Delivery comprises

Item	Qty	Description
1	2	Cable holder, ABS, UL V-94 0, RAL 7016, detent for cables between 8 mm and 12 mm
2	1	Drilling template, two drill holes each per holder are needed in rear panel
3	1	Assembly kit

Order Information

Description	Part no.
Cable holder	24575-800



02908052



For further information www.schroff.biz/oneclick
oneClick search code = Part no.

Desk-top enclosure - *propac*PRO

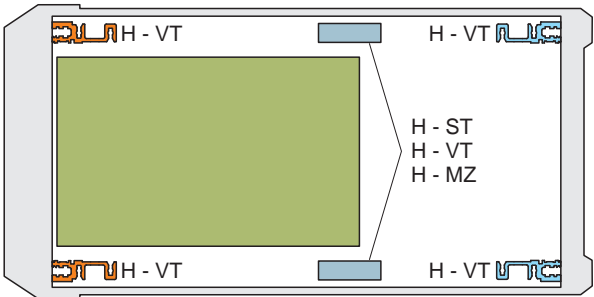
Mounting position horizontal/central rails

2 U



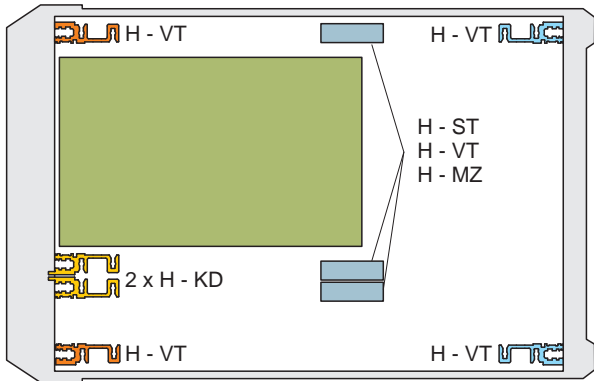
05806084

3 U



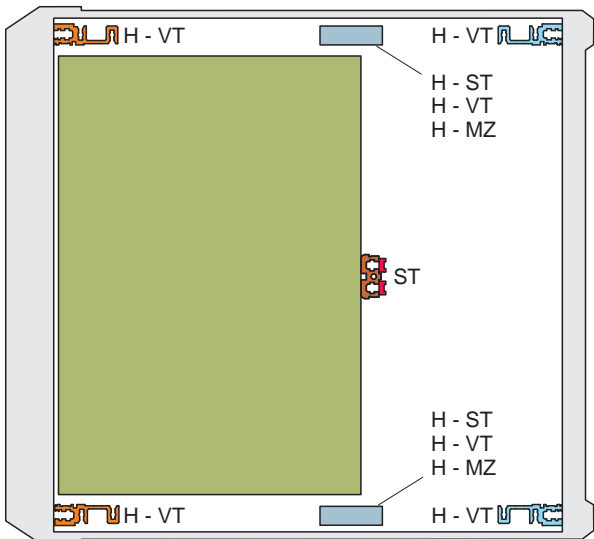
05806085

4 U (3 + 1)

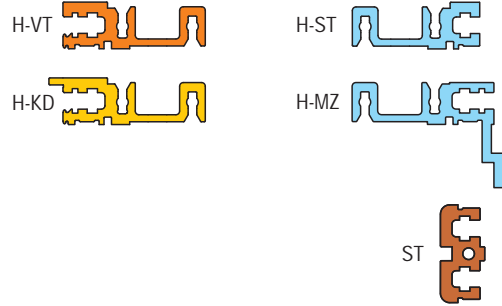


05806086

6 U

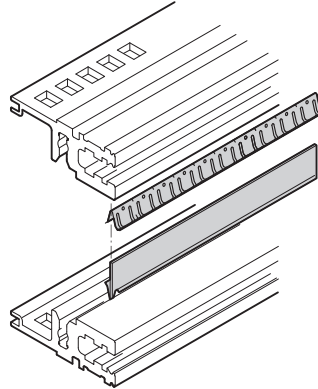


05806087



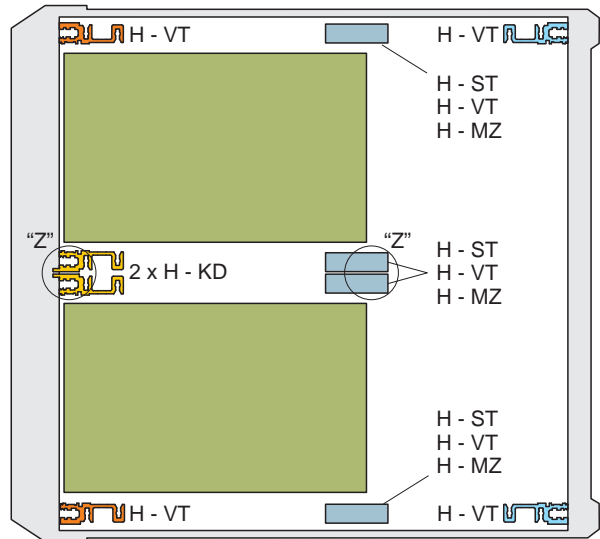
05809050

"Z" (EMC shielding with 2 horizontal rails)



06106051

6 U (2 x 3)




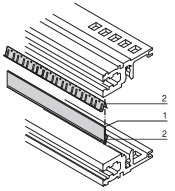
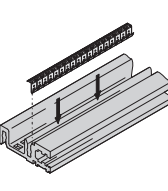






05806088

Desk-top enclosure - *propac*PRO

Horizontal rails to front/centre/rear

Order Information

		For indirect backplane fixing with insulation strip	For direct backplane fixing	For direct fixing of connectors in accordance with EN 60603-2 (DIN 41612)	Front horizontal rails	Stainless steel EMC gasket between horizontal rail and horizontal rail	Horizontal rail type H-VT robust, with EMC gasket
		 06197011	 06197011	 06197011		 bza45877	 06106052
		"heavy" Type H-ST standard	"heavy" Type H-VT long lip	"heavy" Type H-MZ with Z-rail	"heavy" Type H-KD short lip		
		 06197011	 06197009	 06197015	 06197008		
		Al extrusion, anodised finish, conductive surface, with printed HP markings	Al extrusion, anodised finish, conductive surface, with printed HP markings	Al extrusion, anodised finish, conductive surface, with printed HP markings	Al extrusion, anodised finish, conductive surface, with printed HP markings	item 1: metal strip, Al, 1 mm, item 2: EMC stainless steel gasket; for shielding of 2 horizontal rails positioned directly one above the other if assembly area is divided vertically	horizontal rail: Al extrusion, anodised, conductive contact surface for cover plates on shielded cases
Usable length HP	Length mm	1 piece (SPQ 10)¹⁾	1 piece (SPQ 10)¹⁾	1 piece (SPQ 10)¹⁾	1 piece (SPQ 10)¹⁾	PU 1 kit	1 piece
28	147.32	34560-528	34560-728	34560-928	34560-228	24562-528	24576-028
42	218.44	34560-542	34560-742	34560-942	34560-242	24562-542	24576-042
63	325.12	34560-563	34560-763	34560-963	34560-263	24562-563	24576-063
84	431.80	34560-584	34560-784	34560-984	34560-284	24562-584	24576-084
Torx panhead screw , M4 × 14, St, zinc-plated, PU 100 pieces		24571-371	24571-371	24571-371	24571-371	–	24571-371
Torx panhead screw , M 4 × 10, St, zinc-plated, necessary if guide rail is screwed to slot 1, PU 100 pieces		–	–	24571-372	24571-372	–	24571-372
Perforated rail for connector mounting with insulation strip see page		5.69	–	–	–	–	–
Z-rail for connector mounting without insulation strip see page		5.69	–	–	–	–	–
Insulation strips see page		–	5.68	–	–	–	–
Threaded inserts see page		5.68	5.68	5.68	5.68	–	–

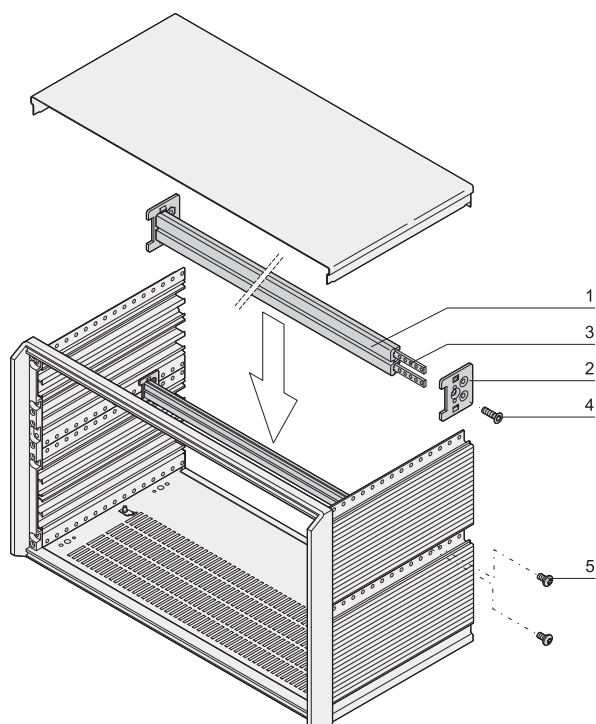
1) SPQ (standard pack quantity): Order number includes 1 piece, but delivery is exclusively made in standard pack quantity (SPQ); please order at least the SPQ quantity or a multiple thereof

Note

- Further horizontal rails see from page 6.27
- Fitting options see page 5.66

Desk-top enclosure - *propacPRO*

Horizontal rails, centre, type ST-C



05806089

- For indirect backplane mounting (with insulation strip)
- For 6 U propacPRO case

Delivery comprises (kit, item 1 to 4 are pre-mounted)

Item	Qty	Description
1	1	Horizontal rail, Al extrusion, anodised, contact surfaces conductive
2	2	Adaptor plate, Al
3	2	Threaded insert, M2.5, St, zinc-plated
4	2	Countersunk screw, M4 x 14
5	4	Pan head screw, M4 x 6

Order Information

Usable width	Length	Part no.
HP	mm	
84	431.8	24575-474
Insulation strip 84 HP, PBT UL 94 V-0, grey, PU 10 pieces		24560-884



For further information www.schroff.biz/oneclick
oneClick search code = Part no.

Threaded inserts, perforated strips, insulation strips

Order Information

Usable length HP	Threaded insert		Perforated strip		Insulation strip	
	Length mm	1 piece (SPQ 10) ¹⁾	Length mm	1 piece (SPQ 10) ¹⁾	Length mm	PU 10 pieces
28	146.82	34561-328	147.12	30845-197	144.20	24560-828
42	217.94	34561-342	218.24	30845-211	210.40	24560-842
63	324.62	34561-363	324.92	30845-232	316.88	24560-863
84	431.30	34561-384	431.60	30845-253	428.64	24560-884

Accessories

Grub screw M2.5 x 8, PU 100 pieces	21100-276	-	-	-	-
Grub screw M2.5 x 9, PU 100 pieces	-	-	21101-359	-	-
Grub screw M3 x 8, PU 100 pieces	-	21100-646	-	-	-

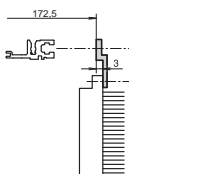
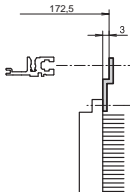
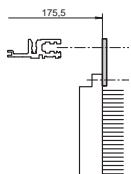
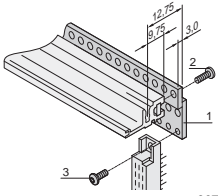
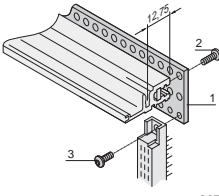
1) SPQ (standard pack quantity): Order number includes 1 piece, but delivery is exclusively made in standard pack quantity (SPQ); please order at least the SPQ quantity or a multiple thereof

2) Part no. includes one packing unit (PU); delivery is exclusively made in PU

Desk-top enclosure - *propacPRO*

Z-rails, perforated rails

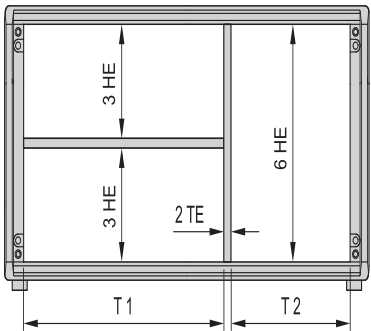
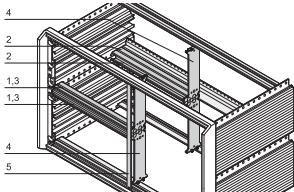
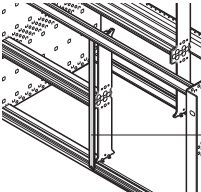
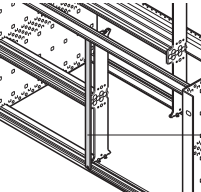
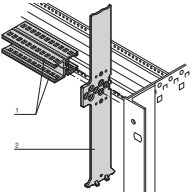
Order Information

		Z-rail for connectors		Perforated rail
		DIN EN 60603-2, DIN 41612 item 1	31-pin, DIN 41617	EN 606032, DIN 41612 item 1
		 <p style="text-align: right; margin-right: 50px;">BZA45849</p>	 <p style="text-align: right; margin-right: 50px;">BZA45850</p>	 <p style="text-align: right; margin-right: 50px;">BZA45848</p>
		 <p style="text-align: right; margin-right: 50px;">06708063</p>	 <p style="text-align: right; margin-right: 50px;">06708051</p>	
		for connector mounting on ST horizontal rails, please order threaded insert and screw separately	for connector mounting on ST horizontal rails, please order threaded insert and screw separately	for connector mounting on VT horizontal rails, please order threaded insert and screw separately
Usable length	Length	1 piece	1 piece	PU 4 pieces
HP	mm			
28	142.24	30822-033	-	20822-049
42	213.36	30822-047	-	20822-050
60	304.80	30822-065	30819-783	20822-047
84	426.70	30822-089	30819-808	20822-048
Item 3, Torx panhead screw to fix connector to perforated rail,, M2.5 x 7, PU 100 pieces		24560-147	24560-147	24560-147
Item 2, Torx panhead screw, to fix perforated rail to horizontal rail, M2.5 x 10, PU 100 pieces		24560-148	24560-148	24560-148

Desk-top enclosure - *propacPRO*

Combined mounting (6 U and 2 x 3 U one above the other)

Order Information

							
	Horizontal and vertical subdivision (incl. front panel for stainless steel EMC gasket)	Combined mounting Unshielded front panel, 6 U, 2 HP item 5	Front panel for textile EMC gasket, 6 U, 2 HP item 5	Splitting extrusion for combined mounting item 2			
item 1: 2 front horizontal rails (H-KD), Al extrusion, anodised; item 2: 2 rear horizontal rails (AB), Al extrusion, anodised; item 3: threaded insert, St, zinc-plated; item 4: Zn die-cast support member; item 5: front panel 2 HP, 6 U, shielded; with EMC stainless steel gasket; 84:0 without items 4, 5	PU 1 kit	1 (SPQ 5)	1 piece (SPQ 5)¹⁾	1 piece			
Width pitch T1:T2 HP							
20:62	24562-420						
40:42	24562-440						
42:40	24562-442	30847-472	30849-140	64560-010			
63:19	24562-463						
84:0	24562-484						
Torx countersunk screw M4 x 14, zinc-plated, PU 100 pieces for fixing splitting extrusion/horizontal rail	–	–	–	24560-145			
Panhead screw M2.5 x 10, St, zinc-plated, PU 100 pieces for fixing horizontal rail/splitting extrusion	–	–	–	24560-179			
Pozidrive/slotted collar screw M2.5 x 12.3, St, nickel-plated, PU 100 pieces	–	21101-101	21101-101	–			
Pozidrive/slotted collar screw M2.5, black, zinc-plated, PU 100 pieces	–	21101-102	21101-102	–			
Washer 2.7 x 5 x 1, plastic PA 6, PU 100 pieces	–	21101-121	21101-121	–			
Textile gasket, core: foam, sleeve: textile cladding with CuNi coating, UL 94 V-0, PU 10 pieces	–		21101-855				

- Subdivision of the 6 U assembly area into:
 - 2 x 3 U
 - 1 x 6 U

- Designed to accept euroboards (100 mm high) and double euroboards (233.35 mm high)

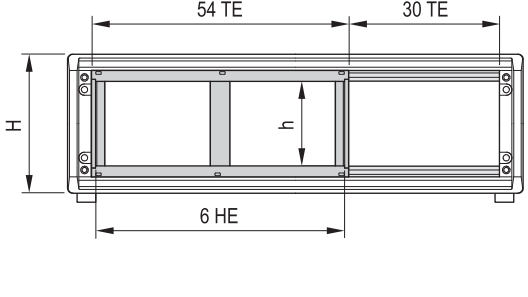
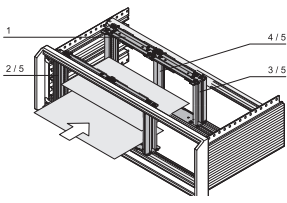
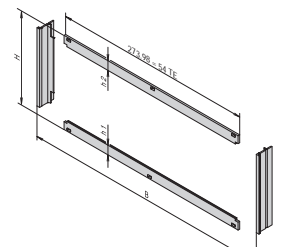
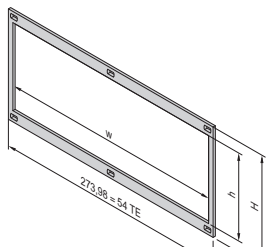



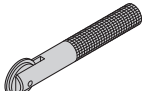
Note

- Please order EMC gasketing kit for horizontal rails separately, see page 6.54
- Please order perforated strips for horizontal rails separately, see page 5.68
- Please order rear centre horizontal rail separately, see page 5.68

Desk-top enclosure - *propac*PRO

Horizontal board mounting

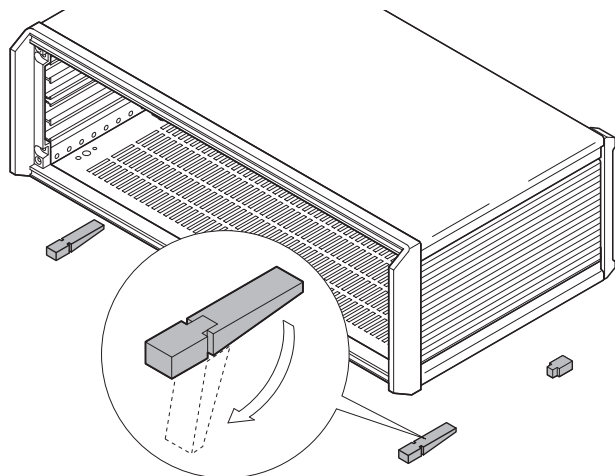
Order Information

 <small>05806092</small>			Horizontal board mounting								
			 <small>05806091</small>	 <small>bpa45913</small>	 <small>bza43061</small>						
<p>(1 TE = 1 HP, 1 HE = 1 U)</p> <table border="0" style="width: 100%;"> <tr> <td style="width: 33%;">Height H</td> <td style="width: 33%;">Usable height h</td> <td style="width: 33%;">Other dimensions and options</td> </tr> <tr> <td>U</td> <td>HP</td> <td>Horizontal rail, front Horizontal rail, rear</td> </tr> </table>			Height H	Usable height h	Other dimensions and options	U	HP	Horizontal rail, front Horizontal rail, rear	<p>Struts die-cast zinc; horizontal rails front and rear; threaded insert, St, zinc-plated; fixing material kit; for horizontal mounting of double-height euroboards in 3 or 4 U high subracks/cases; 54 HP space required; please order front frame for EMC gasketing separately</p> <p style="text-align: center;">PU 1 kit</p>	<p>2 horizontal trims, Al 2.5 mm, front anodised, rear iridescent green chromated; 2 vertical trims, Al extrusion, clear passivated; stainless steel EMC gasket; front frame forms the contact between subrack and the sub-assemblies</p> <p style="text-align: center;">PU 1 kit</p>	<p>Al, 2.5 mm, clear anodised; front frame with cut-out, clear internal width w = 266.35 mm</p> <p style="text-align: center;">1 piece</p>
Height H	Usable height h	Other dimensions and options									
U	HP	Horizontal rail, front Horizontal rail, rear									
3	20		24564-117	24564-109	34564-108						
3	20		24564-118	24564-109	34564-109						
4	28		24564-217	24564-209	34564-208						
<p>Assembly tool, for mounting the EMC gasket (stainless steel)</p> 			-	24560-270	-						

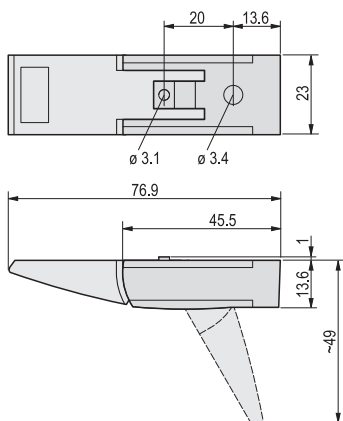
* For direct backplane mounting

Desk-top enclosure - *propac*PRO

Plastic tip-up feet



05806093



02906050

- Static load-carrying capacity 25 kg per foot
- Tip-up feet can be used instead of the pre-mounted case feet
- Fixing holes provided in bottom of case

Delivery comprises (kit)

Item	Qty	Description
1	4	Foot, PA, UL 94 V-0
2	4	Anti-slip protection, TPE
3	2	Tip-up device, PA, UL 94 V-0
4	1	Assembly kit

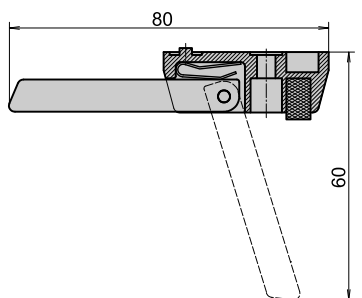
Order Information

Description		Part no.
Plastic tip-up foot	anthracite, similar to RAL 7016, 4 pieces	20603-002
Plastic tip-up foot	silver, similar to RAL 9006, 4 pieces	20603-001
Cheesehead screw with slot M4 × 12, St, zinc-plated, PU 100 pieces		21101-211
Hexagon nut M4, St, zinc-plated, PU 100 pieces		21100-211
Spring washer A4, St, zinc-plated, PU 100 pieces		21100-207

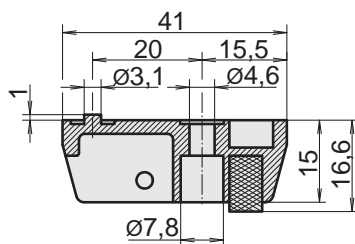


For further information www.schroff.biz/oneclick
oneClick search code = Part no.

Tip-up feet made of die-cast aluminium



AZA43836



02908051

- Can be used instead of the round standard feet
- Fixing holes provided in bottom of case
- Secure case stance with slip-proof rubber inserts
- Load carrying capacity: 50 kg per foot, max. case weight 40 kg

Order Information

Description	Qty	Part no.
Foot with tip-up, Al die-cast, silver	1 piece (SPQ 10) ¹⁾	10603-002
Foot without tip-up, Al die-cast, silver	1 piece (SPQ 10) ¹⁾	10603-001
Cheesehead screw with slot M4 × 12, St, zinc-plated, PU 100 pieces		21101-211
Hexagon nut M4, St, zinc-plated, PU 100 pieces		21100-211
Spring washer A4, St, zinc-plated, PU 100 pieces		21100-207

1) Part no. comprises 1 piece;
delivery is in standard pack quantity (SPQ);
please order a minimum of 10 feet or a multiple

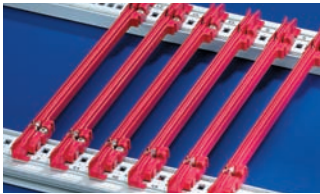
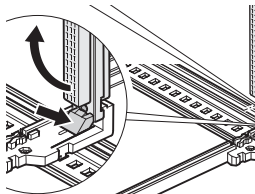
Note

- Delivery is in standard pack multiples;
pricing is per individual item

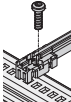
Desk-top enclosure - *propacPRO*

Guide rails for plug-in units and frame type plug-in units, one-piece, groove width 2 mm

Order Information

			For plug-in units and frame type plug-in units			
			Standard	With DIN connector fixing as standard		
Assembly - can be clipped into Al extruded horizontal rails - can be clipped into 1.5 mm thick plates Storage temperature from -40 °C ... 130 °C			 <p>up to 220 mm length, PBT, UL 94 V-0; multi-piece from 280 mm length, end piece PBT, UL 94 V-0, central section Al extrusion</p>		 <p>PBT, UL 94 V-0, red, connector is clipped directly onto the guide rails; for euroboards, 100 x 160 mm or 100 x 220 mm only</p>	
Board lengths	Groove width	Colour	PU 10 pieces	1 pair (SPQ 10)¹⁾		
mm	mm	mm				
70	2	red	–	–		
70	2	grey	–	–		
160	2	red	24560-351	64560-074		
220	2	red	24560-353	64560-075		
280	2	red	24560-379	–		
340	2	red	24560-380	–		
Dimension drawings see page			6.40	6.40		

Accessories

Retention screw, PU 100 pieces		24560-141	24560-141
ESD clip, PU 50 pieces description see page 6.41		24560-255	24560-255

1) SPQ (standard pack quantity): Order number includes 1 piece, but delivery is exclusively made in standard pack quantity (SPQ); please order at least the SPQ quantity or a multiple thereof

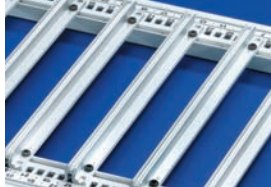
2) Part no. includes one packing unit (PU); delivery is exclusively made in PU

Further guide rails see page 6.35

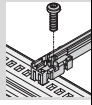
Desk-top enclosure - *propac* PRO

Guide rails type "accessories", one-piece, groove width 2 mm and 2.5 mm

Order Information

Assembly			Guide rails "Accessories"	Guide rails "Accessories" strengthened	Guide rails for heavy modules, Al extrusion, silver, robust version
- can be clipped into horizontal rails in Al extrusion - can be clipped into 1.5 mm thick plates storage temperature from -40 °C ... +130 °C			 <p>up to 280 mm length, PBT, UL 94 V-0; multi-piece from 280 mm length, end piece PBT, UL 94V-0, middle section Al extrusion</p>	 <p>PBT UL 94 V-0, red support beam of guide rails adds to strengthening</p>	 <p>Al extrusion; is screwed to horizontal rail "heavy" with retention screws</p>
Board lengths mm	Groove width mm	Colour mm	PU 10 pieces	1 piece (SPQ 50)	1 piece (SPQ 50) ¹⁾
100	2	red	–	–	–
160	2	red	24560-373	64560-076	–
160	2	grey	–	–	34562-881
220	2	red	24560-374	64560-078	–
220	2	grey	–	–	34562-882
280	2	red/ silver	24560-375	64560-080	34562-883
340	2	red/ silver	24560-376	–	34562-884
400	2	silver	–	–	34562-885
160	2.5	silver	–	–	34564-881
220	2.5	silver	–	–	34564-882
280	2.5	silver	–	–	34564-883
340	2.5	silver	–	–	34564-884
400	2.5	silver	–	–	34564-885
Dimension drawings see page			6.40	6.40	6.40

Accessories

Retention screw, PU 100 pieces		24560-141	24560-141	24560-157
ESD clip, PU 50 pieces description see page 6.41		24560-255	24560-255	–
Board locking, red, PU 10 pieces, description see page 6.41		24560-377	24560-377	–
Board handle, red, PU 10 pieces, description see page 6.41		24560-378	24560-378	–
Identification strips for board handle, red, PU 1 sheet = 438 pieces, description see page 6.41		60817-228	60817-228	–
Coding see page		6.41	6.41	–

1) SPQ (standard pack quantity): Order number includes 1 piece, but delivery is exclusively made in standard pack quantity (SPQ); please order at least the SPQ quantity or a multiple thereof

2) Part no. includes one packing unit (PU); delivery is exclusively made in PU

Further guide rails see page 6.35

Desk-top enclosure - *propacPRO*

Divider plate

Order Information

					Divider plate	
					Mounting position when stainless steel EMC gasket is used	Mounting position when textile EMC gasket is used
<p>Stainless steel, 1 mm, is mounted by clipping onto horizontal rail, space requirement on component side 2 mm; mounting direction varies with shielding design (EMC stainless steel or textile gasket); retrofitting the divider plate in an already-assembled subrack/case will first require dismantling of the horizontal rails; where front panels are unshielded, both mounting directions are possible</p>						
Height	Depth	A	B	H	PU 10 pieces	
U	mm	mm	mm	mm		
3	160	158.3	135.0	113.5	34562-761	
3	220	218.3	195.0	113.5	34562-762	
6	160	158.3	135.0	246.9	34562-763	
6	220	218.3	195.0	246.9	34562-764	

Air baffle for slots

Order Information

			Air baffle without front panel	Air baffle with front panel
			U front panel for textile EMC gasket	
<p>Al, 1 mm, incl. assembly kit; prevents an air short circuit in unoccupied slot positions; is pushed into the groove of the guide rails</p>				
<p>Al deflector, Al, 1 mm, front panel, Al extrusion, 2.5 mm, front anodised, rear conductive; EMC textile gasket, fixing materials kit prevents an air short-circuit where slots are unoccupied; is pushed into the groove of the guide rails</p>				
Depth	Width	Height	1 piece	1 piece
mm	HP	U		
160	4	3	34562-823	20848-728
160	4	6	34562-826	20848-736
160	8	3	34562-833	20848-730
160	8	6	34562-836	20848-738
160	12	3	34562-843	20848-732
160	12	6	34562-846	20848-740
220	4	3	34562-824	20848-729
220	4	6	34562-827	20848-736
220	8	3	34562-834	20848-731
220	8	6	34562-837	20848-739
220	12	3	34562-844	20848-733
220	12	6	34562-847	20848-741

Overview 0

Cabinets 1

Wall mounted cases 2

Accessories for cabinets and wall mounted cases 3

Climate control 4

Desk-top cases 5

Subracks/ 19" chassis ... 6

Front panels, plug-in units .. 7

Systems 8

Power supply units 9

Backplanes .. 10

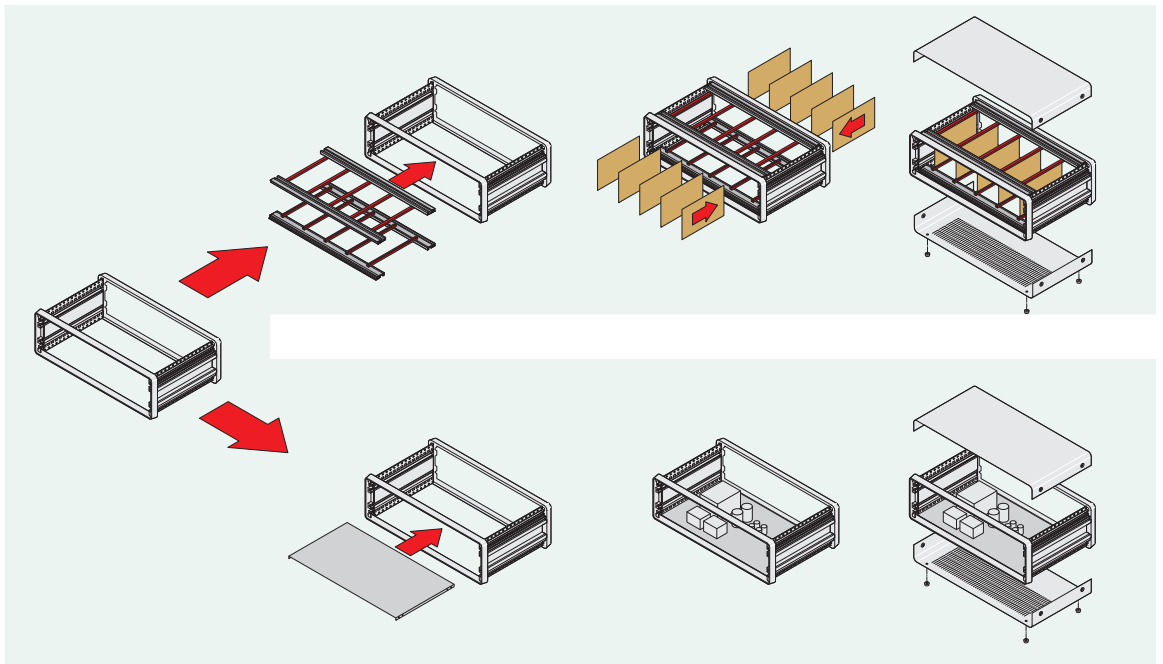
Connectors, front panel component system 11

Appendix 12

Desk-top cases - *compacPRO*



02004009



Flexible expansion options, for 19" components e.g. plug-in unit units, or for individual expansion

02004079

Standards

- Interior dimensions in accordance with: IEC 60297-3-101
- Type of protection IP 20 in accordance with IEC 60529
- GND/earth connections in accordance with:
 - DIN EN 50178 / VDE 0160
 - DIN EN 60950 / VDE 0805
 - DIN EN 61010-1 / VDE 0411 part 1
 - DIN EN 61010-1A2 / VDE 0411 part 1/A12



Downloads and further important information can be found on the Internet under www.schroff.biz

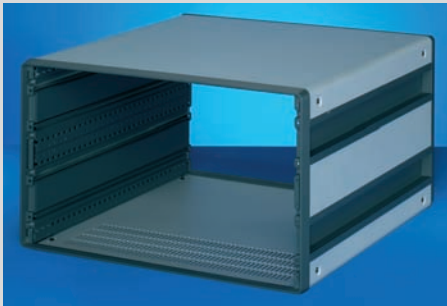
Robust desk-top case for 19" components in accordance with IEC 60297-3-10x or for individual electronics assemblies

- Front and rear identical, depth-symmetrical construction
- Highly robust thanks to die-cast frame (front/rear)
- Side panel with integrated handle function



Desk-top cases

- Complete case
 - Pre-configured case, prepared for 19" components
 - Case height 3 U and 6 U



- Case
 - Case height 2 U, 3 U, 4 U and 6 U

02009005 02004006



Extensive accessory range

02004002

compacPRO

Complete cases
 3, 6 U 5.78
 Cases 2, 3, 4 U .. 5.79
 6 U cases 5.80

Accessories

Filler angle 5.81
 Cable holder 5.81
 Front panel/rear panel 5.82
 Rear feet 5.83
 Edge protection. 5.83
 Hood 5.84
 Front door 5.85
 Handle 5.86
 GND/earthing ... 5.86
 Feet 5.87
 Horizontal rail . 5.88
 Threaded inserts 5.90
 Guide rails and ESD clips 5.92
 Mounting plates. 5.94
 Combined mounting 5.95
 Horizontal board assembly 5.96
 Air flow barrier .. 5.97
 Dimensions 5.98



ServicePLUS from page 5.4

e.g. modifications (special colours, special depths, cut-outs in top cover, base plate or side panels)
 e.g. assembly service from 1 piece

www.schroff.biz/ServicePLUS

30407004

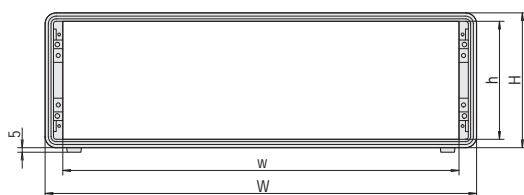
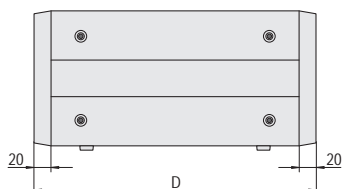
ServicePLUS .. 5.4

Desk-top cases - *compacPRO*

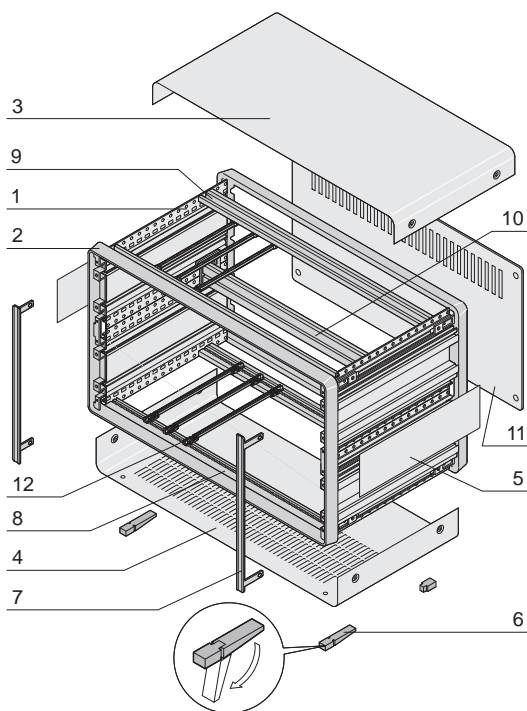
Complete cases 3 and 6 U



02009005



02004054



02008050

- Desk-top case with pre-configured components in accordance with IEC 60297-3-101; prepared for 19" components such as plug-in units and euroboards
- For backplane mounting with insulation strips
- Ventilation slots in base plate
- Ventilation slots in rear panel

Delivery comprises (Kit, items 1, 2, 6, 8 fitted)

Item	Qty		Description
	3 U	6 U	
1	2	4	Side panel, Al extrusion, powder-coated, RAL 7016
2	2	2	Frame, Al die-cast, powder-coated, RAL 7016
3	1	1	Cover plate, Al, 1.5 mm, powder-coated, RAL 9006, with GND/earthing tag
4	1	1	Base plate with 4 rows of ventilation slots, Al, 1.5 mm, powder-coated, RAL 9006, with GND/earthing tag
5	-	2	Side plate powder-coated, RAL 9006, Al, 0.8 mm
6	4	4	Tip-up foot with anti-slip protection, PA, RAL 7016, UL 94 V-0
7	2	2	Cover bracket, Al extrusion, anodised, cut edges plain
8	2	2	Horizontal rail, Al extrusion, with threaded insert, St, M2.5
9	2	2	Rear horizontal rail, Al extrusion, with threaded insert, St, M2.5 and insulation strip, PBT, UL 94 V-0 (for indirect backplane mounting)
10	-	1	Centre horizontal rail, Al extrusion, anodised, conductive surfaces, with two threaded inserts, St, M2.5 and two insulation strips, PBT, UL 94 V-0
11	1	1	Rear panel with 1 row of ventilation slots, Al, anodised, 2 mm for 28, 42 and 63 HP, 2.5 mm for 84 HP
12	10/ 20	10/ 20	Guide rail for 160 mm board length, PBT, UL 94 V-0, 28/42 HP 10 pieces, 63/84 HP 20 pieces
13	1	1	GND/earthing kit
14	1	1	Assembly kit, also allows the fitting of a full-width front panel

Order Information

U	Height H mm	Width W mm	Depth D mm	Usable width		Part no.
				w HP	w mm	
3	186	271	28	148	14575-114	
3	186	331	28	148	14575-115	
3	257	271	42	219	14575-134	
3	257	331	42	219	14575-135	
3	257	391	42	219	14575-136	
3	364	271	63	326	14575-154	
3	364	331	63	326	14575-155	
3	364	391	63	326	14575-156	
3	471	271	84	432	14575-174	
3	471	331	84	432	14575-175	
3	471	391	84	432	14575-176	
3	471	511	84	432	14575-178	
6	471	391	84	432	14575-476	
6	471	451	84	432	14575-477	

Maximum mounting depth = D - 21 (open space: front panel - rear panel)

Note

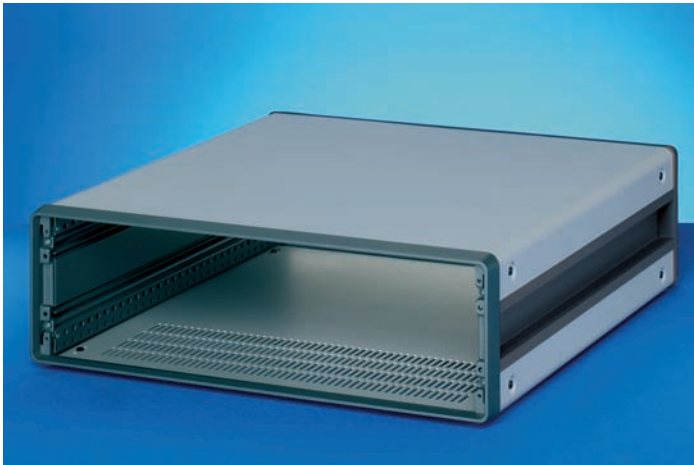
- Dimensions of case, side panel see from page 5.98



ServicePLUS see page 5.4

Desk-top cases - *compacPRO*

Cases 2, 3 and 4 U

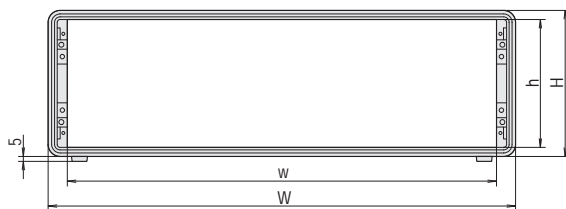
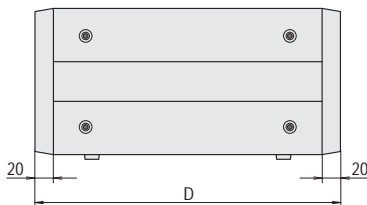


02004005

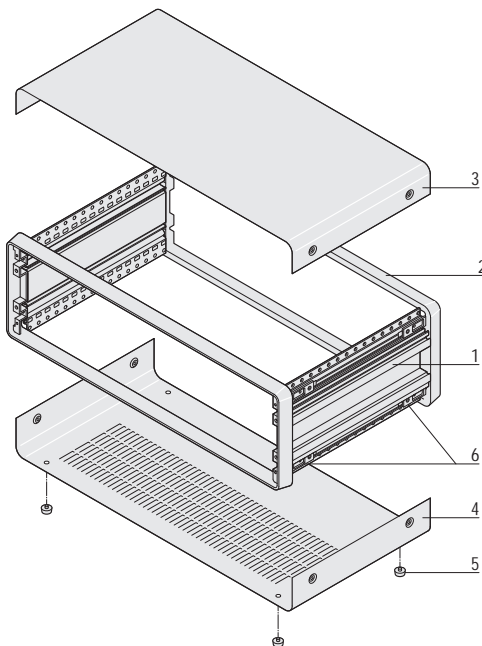
- Desk-top case, pre-configures, for individual assembly
- For backplane mounting with insulation strips
- Ventilation slots in base plate

Delivery comprises (Kit, items 1 and 2 fitted)

Item	Qty	Description
1	2	Side panel, Al extrusion, powder-coated, RAL 7016
2	2	Frame, Al die-cast, powder-coated, RAL 7016
3	1	Cover plate, Al, 1.5 mm, powder-coated, RAL 9006, with GND/earthing connection
4	1	Base plate with 4 rows of ventilation slots, Al, 1.5 mm, powder-coated RAL 9006, with earthing connection
5	4	Case foot with anti-slip protection, PC, black
6	8	Fixing adaptor for cover plate, prefitted
7	1	Assembly kit, also allows the fitting of a full-width front panel, two cover brackets or a rear panel



02004054



02004053

Order Information

Height U	Usable width HP	Width W mm	Width w mm	Height H mm	Height h mm	Depth D mm	Part no.
2	42	257	219	102.6	84.4	271	14575-023
2	42	257	219	102.6	84.4	331	14575-025
2	42	257	219	102.6	84.4	391	14575-027
2	84	471	432	102.6	84.4	271	14575-063
2	84	471	432	102.6	84.4	331	14575-065
2	84	471	432	102.6	84.4	391	14575-067
3	28	186	148	147.1	129.3	271	14575-103
3	28	186	148	147.1	129.3	331	14575-105
3	42	257	219	147.1	129.3	271	14575-123
3	42	257	219	147.1	129.3	331	14575-125
3	42	257	219	147.1	129.3	391	14575-127
3	63	364	326	147.1	129.3	271	14575-143
3	63	364	326	147.1	129.3	331	14575-145
3	63	364	326	147.1	129.3	391	14575-147
3	84	471	432	147.1	129.3	271	14575-163
3	84	471	432	147.1	129.3	331	14575-165
3	84	471	432	147.1	129.3	391	14575-167
3	84	471	432	147.1	129.3	451	14575-169
3	84	471	432	147.1	129.3	511	14575-171
4	42	257	219	191.6	173.8	271	14575-223
4	42	257	219	191.6	173.8	331	14575-225
4	63	364	326	191.6	173.8	271	14575-243
4	63	364	326	191.6	173.8	331	14575-245
4	63	364	326	191.6	173.8	391	14575-247
4	84	471	432	191.6	173.8	331	14575-265
4	84	471	432	191.6	173.8	391	14575-267
4	84	471	432	191.6	173.8	451	14575-269
4	84	471	432	191.6	173.8	511	14575-271



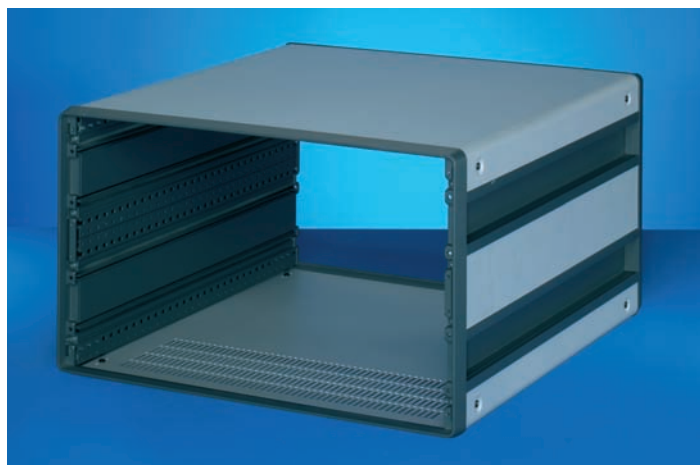
For further information www.schroff.biz/oneclick
oneClick search code = Part no.



ServicePLUS see page 5.4

Desk-top cases - *compacPRO*

6 U cases

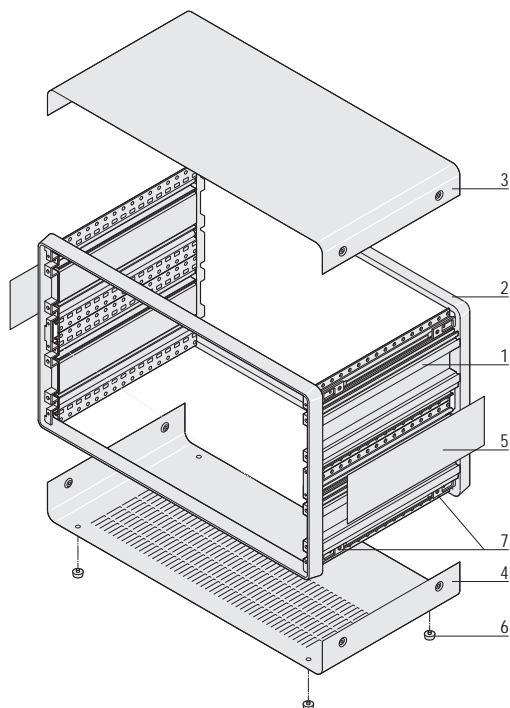


02004006

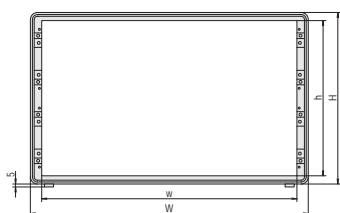
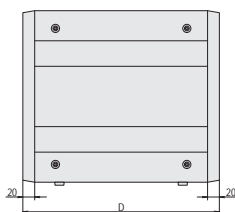
- Desk-top case, pre-configured, for individual assembly
- For backplane mounting with insulation strips
- Ventilation slots in base plate

Delivery comprises (Kit items 1, 2 and 5 fitted)

Item	Qty	Description
1	4	Side panel parts, Al extrusion, powder-coated, RAL 7016, 2 x 3 U
2	2	Frame, Al die-cast, powder-coated, RAL 7016
3	1	Cover plate, Al, 1.5 mm, powder-coated, RAL 9006, with GND/earthing tag
4	1	Base plate with 4 rows of ventilation slots, Al, 1.5 mm, powder-coated, RAL 9006, with GND/earthing tag
5	2	Side plate, Al, 0.8 mm, powder-coated, RAL 9006
6	4	Case foot with anti-slip protection, PC, black
7	8	Fixing adaptor for cover plate, prefitted
8	1	Assembly kit also allows the fitting of a full-width front panel, two cover brackets or a rear panel



02004055



02004056

Order Information

Usable width	Width W	Width w	Height H	Height h	Depth D	Part no.
63	364	326	280.5	262.9	331	14575-445
63	364	326	280.5	262.9	391	14575-447
84	471	432	280.5	262.9	271	14575-463
84	471	432	280.5	262.9	331	14575-465
84	471	432	280.5	262.9	391	14575-467
84	471	432	280.5	262.9	451	14575-469
84	471	432	280.5	262.9	511	14575-471



For further information www.schroff.biz/oneclick
oneClick search code = Part no.



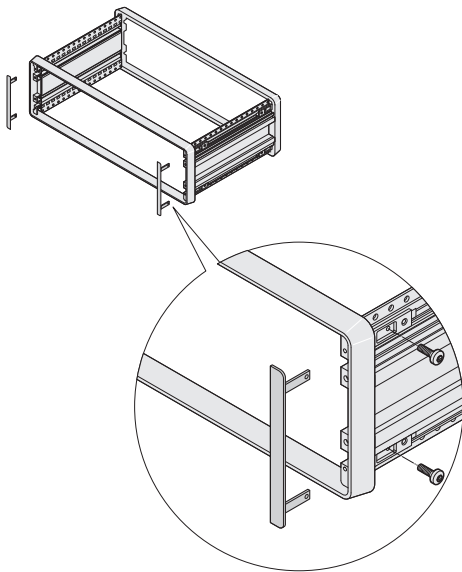
ServicePLUS see page 5.4

Desk-top cases - *compacPRO*

Filler angle



02005002



02004062

- To cover the sides of the frame and to create a continuous front plane with plug-in units and partial-width front panels
- This filler angle is recommended when fitting horizontal rails

Delivery comprises

Item	Qty	Description
1	2	Filler angle, Al extrusion, anodised, cut edges plain

Order Information

Height	Part no.
U	
2	24575-019
3	24575-119
4	24575-219
6	24575-419

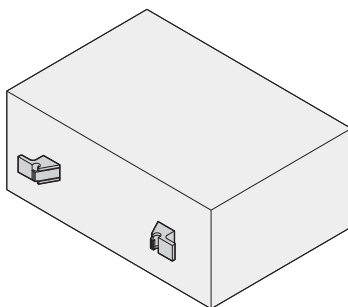
Note

- Fixing material is supplied with case

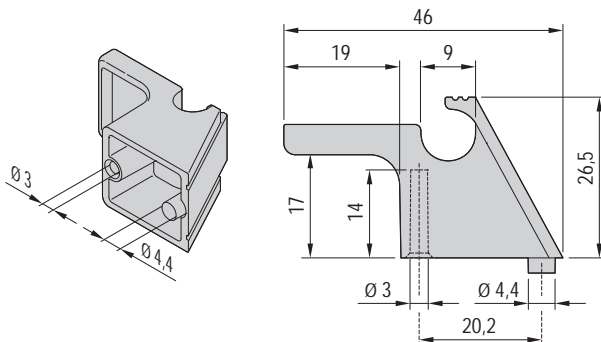


For further information www.schrock.biz/oneclick
oneClick search code = Part no.

Cable holder



02908053



02908052

Delivery comprises (kit)

Item	Qty	Description
1	2	Cable bracket, ABS, UL V-94 0, RAL 7016, detent for cables between 8 mm and 12 mm
2	1	Drilling template, two drill holes each per bracket are needed in rear panel
3	1	Assembly kit

Order Information

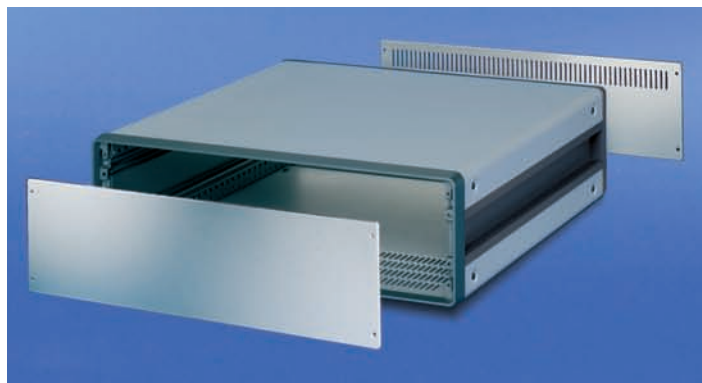
Description	Part no.
Cable holder	24575-800



For further information www.schrock.biz/oneclick
oneClick search code = Part no.

Desk-top cases - *compact PRO*

Front panel and rear panel



- Front panels and rear panels are screwed on front or rear frame of case

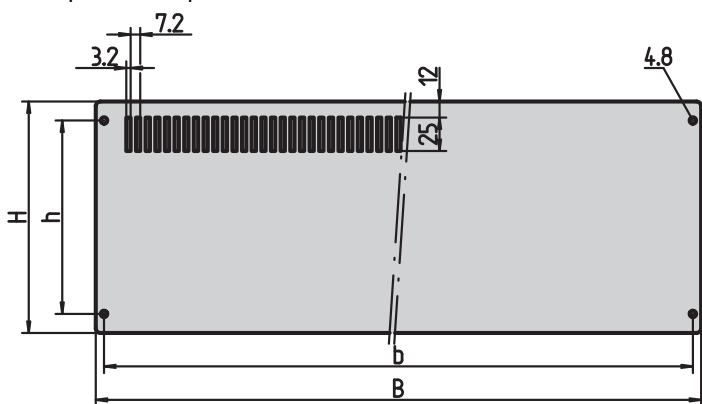
Delivery comprises (kit)

Item	Qty	Description
1	1	Rear panel with 4 rows of ventilation slots, Al, anodised, cut edges plain; 28, 42, 63 HP = 2 mm thick; 84 HP = 2.5 mm thick
2	1	Front panel, Al, anodised, cut edges plain, 3 mm thick

Order Information

U	HP	Height	Height	Width		Rear panel	Front panel
		H	h	B	b	Part no.	Part no.
2	42	84	66	238.7	226.3	30823-015	30823-209
2	84	84	66	452.1	439.7	30823-512	30823-215
3	28	128.4	100	167.5	155.1	30823-021	30823-254
3	42	128.4	100	238.7	226.3	30823-024	30823-257
3	63	128.4	100	345.4	333.1	30823-027	30823-224
3	84	128.4	100	452.1	439.7	30823-515	30823-260
4	42	172.9	144.5	238.7	226.3	30823-033	30823-269
4	63	172.9	144.5	345.4	333.1	30823-036	30823-227
4	84	172.9	144.5	452.1	439.7	30823-518	30823-272
6	63	261.8	233.4	345.4	333.1	30823-045	30823-230
6	84	261.8	233.4	452.1	439.7	30823-521	30823-284

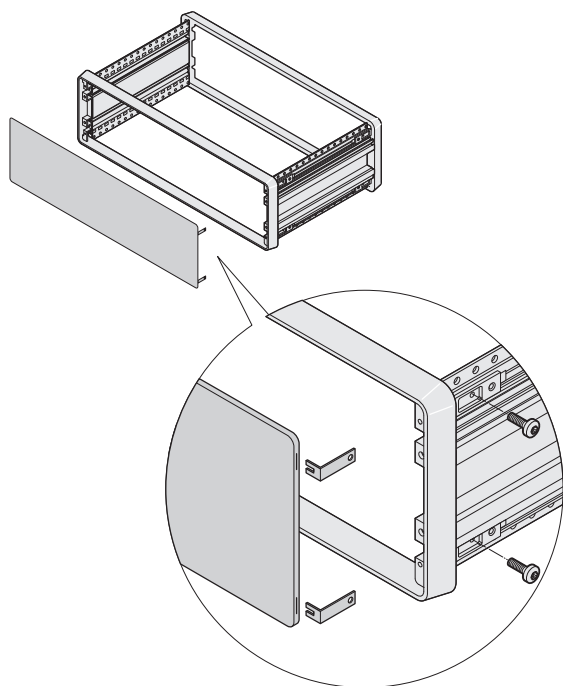
Rear panel/front panel



Note

- Assembly kit to fix one rear and one front panel is included with the case
- Cable holder and rear feet, see from page 5.81

Front panel/rear panel with hidden fixing



Delivery comprises (kit)

Item	Qty	Description
1	1	Front panel, Al, anodised, cut edges plain, 2.5 mm
2	4	Fixing bracket

Order Information

U	HP	Height	Height	Width		Part no.
		H	h	B	b	
2	42	84.0	66.0	238.7	226.3	24575-035
2	84	84.0	66.0	452.1	439.7	24575-075
3	28	128.4	100.0	167.5	155.1	24575-115
3	42	128.4	100.0	238.7	226.3	24575-135
3	63	128.4	100.0	345.4	333.1	24575-155
3	84	128.4	100.0	452.1	439.7	24575-175
4	42	172.9	144.5	238.7	226.3	24575-235
4	63	172.9	144.5	345.4	333.1	24575-255
4	84	172.9	144.5	452.1	439.7	24575-275
6	63	261.8	233.4	345.4	333.1	24575-455
6	84	261.8	233.4	452.1	439.7	24575-475

Note

- Cable holder and rear feet see from page 5.81

Desk-top cases - *compacPRO*

Rear foot with rubber insert



02005004

Delivery comprises

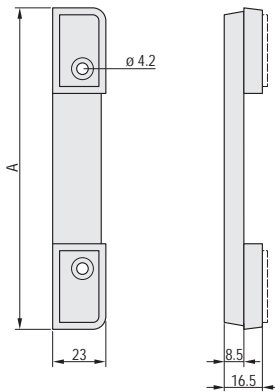
Item	Qty	Description
1	2	Foot with rubber insert, PC, UL 94 V-0, RAL 7016
2	1	Fixing material

Order Information

For case height	A	Part no.
U	mm	
3	139	24575-114
4	183.5	24575-214



For further information www.schroff.biz/oneclick
oneClick search code = Part no.



02004063

Edge protection/rear foot



02005005

Delivery comprises

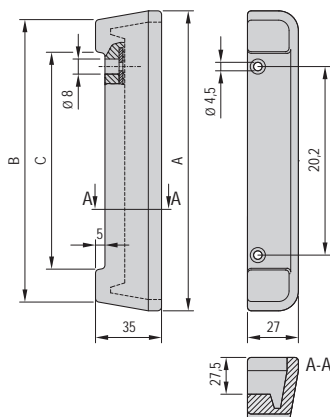
Item	Qty	Description
1	2	Edge protection, PU foam, black
2	1	Assembly kit

Order Information

For case height	A	B	C	Part no.
U	mm	mm	mm	
3	159.1	114.0	100.0	20823-675
4	203.6	159.0	144.5	20823-676



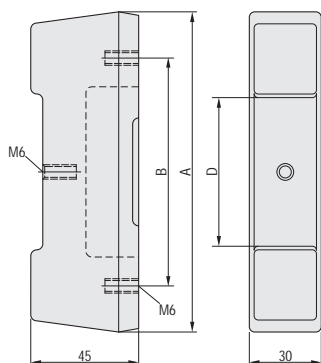
For further information www.schroff.biz/oneclick
oneClick search code = Part no.



02908054

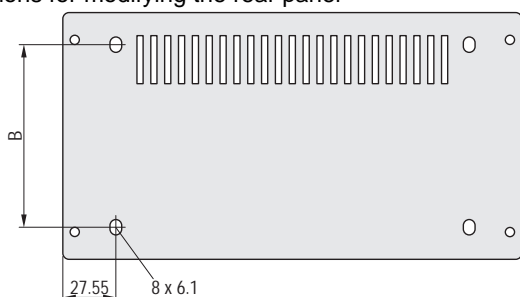
Desk-top cases - *compacPRO*

Rear foot for hood



02004065

Dimensions for modifying the rear panel



02004066

Delivery comprises

Item	Qty	Description
1	2	Foot, PU foam, black, 75° shore
2	1	Fixing material

Order Information

Height U	A mm	B mm	D mm	Part no.
3	133.5	95	65	20823-668
4	177.8	139.5	95	20823-669

■ Rear panel, see page 5.82



For further information www.schroff.biz/oneclick
oneClick search code = Part no.

Hood



02005006

Delivery comprises

Item	Qty	Description
1	1	Hood, ABS, RAL 7016, wall thickness < 4 mm, fixing with knurled screws
2	1	Assembly kit

Order Information

Height U	Width HP	A mm	Part no.
3	42	267	24575-136
3	63	373.5	24575-156
3	84	480	24575-176

Cable support PC, black, UL 94 V-0, PU 2 pieces 20823-674

Note

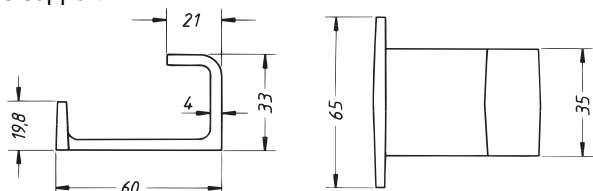
- Cable support can only be fitted in conjunction with rear foot for hood
- To fit the hood, the rear panel and the rear foot for hood must be mounted on the case
- Rear panel, see page 5.82
- Rear foot for hood see page 5.84



For further information www.schroff.biz/oneclick
oneClick search code = Part no.

02004064

Cable support



A4-512

Desk-top cases - *compacPRO*

Front door, acrylic glass, hinged



02005003

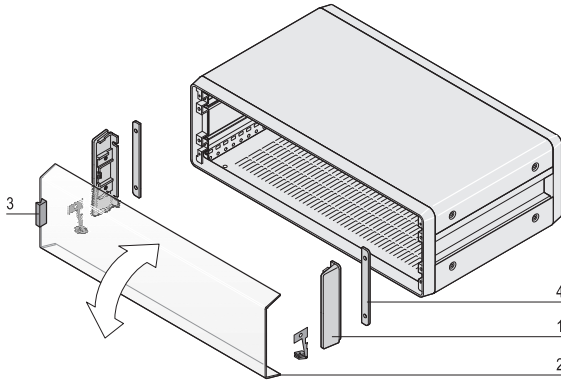
- Assembly of the hinge to top or bottom
- With snap-on latch
- Lock retrofitable

Delivery comprises (kit)

Item	Qty	Description
1	2	Side part, Al die-cast, powder-coated, RAL 7016
2	1	Front door, PMMA, tinted blue-grey, acrylic glass, 3 mm
3	1	Snap-on latch, PC, UL 94 V-0, black
4	2	Spacer plate, Al, 3 mm, passivated
5	1	Assembly kit

Order Information

Height	Width	Part no.
U	HP	
3	42	24575-137
3	63	24575-157
3	84	24575-177
Lock for front door cylinder, 2 keys, assembly parts		21100-647

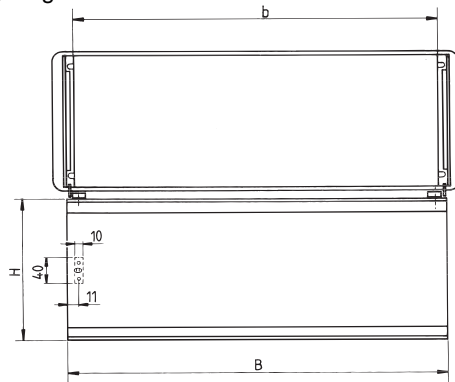


02004069

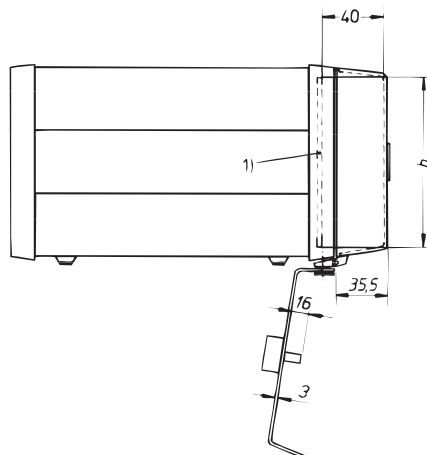
Dimensions table

Height	b	H	h	B
U	TE	mm	mm	mm
3	42	139,50	128,40	229,60
3	63	139,50	128,40	336,40
3	84	139,50	128,40	443,00

Front door, hinged



84-2265



84-225

1) Front panel



For further information www.schroff.biz/oneclick
oneClick search code = Part no.

Desk-top cases - *compacPRO*

Tip-up carrying handle



02004002

- With powder-coated handle bar
- Handle bar adjustable in 30 degree increments by pressing button
- Load-carrying capacity 20 kg

Delivery comprises (kit)

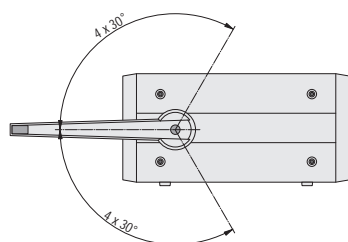
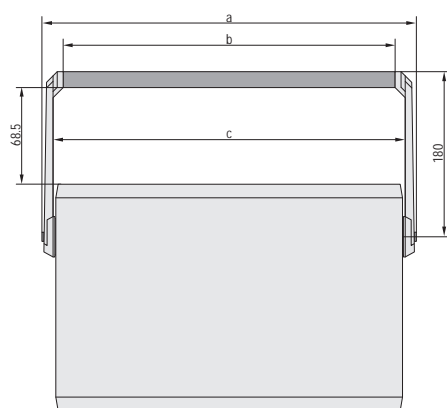
Item	Qty	Description
1	1	Carrying bar, Al profile, powder-coated, RAL 7016
2	2	Lateral section of handle, Zn die-cast, powder coated, length 180 mm
3	2	Safety insert, St, 1.5 mm, black
4	1	Fixing material incl. drilling template for side panel

Order Information


For case height	Width	Part no.
U	HP	
2	42	24575-038
2	84	24575-078
3, 4	28	24575-118
3, 4	42	24575-138
3, 4	63	24575-158
3, 4	84	24575-178

Dimensions

Case width	a	b	c
HP	mm	mm	mm
28	249.32	180.32	202.72
42	320.44	251.44	273.84
63	427.12	358.12	380.52
84	533.80	464.80	487,20



02004080

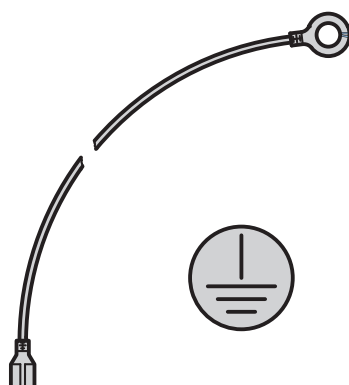
 For further information www.schroff.biz/oneclick
oneClick search code = Part no.

GND/earthing kit

- Protective GND/earth connections in accordance with
DIN EN 50178/VDE 0160,
DIN EN 60950/VDE 0805,
DIN EN 61010-1/VDE 0411 part 1,
DIN EN 61010-1A2 /VDE 0411 part 1/A1
VDE inspection requested

Order Information

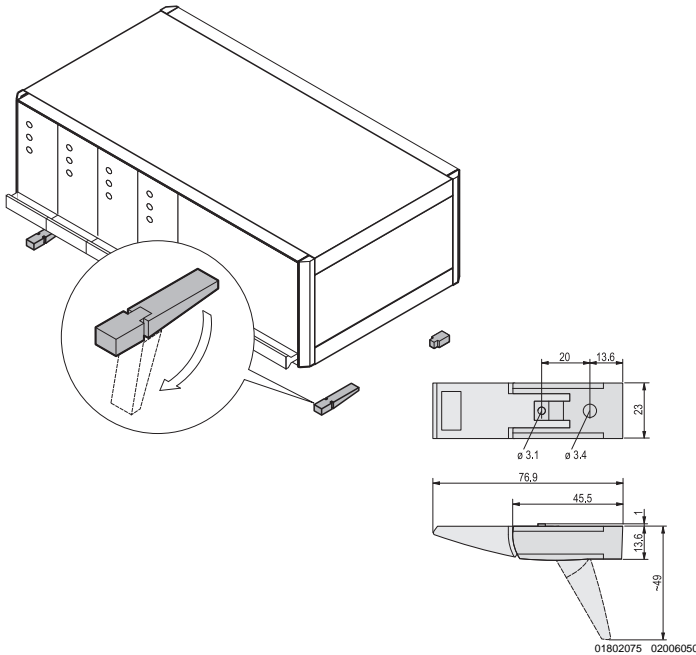
Description	Qty/PU	Part no.
GND/earthing kit, CU wire 1.5 mm ² , PVC covered, green/yellow, links side panel, base plate, cover and rear panel	1	24575-801



aza43284

Desk-top cases - *compacPRO*

Plastic tip-up feet



- Static load-carrying capacity 25 kg per foot
- Tip-up feet can be used instead of the case feet fitted as standard
- Fixing holes provided in bottom of case

Delivery comprises (kit)

Item	Qty	Description
1	4	Foot, PA, UL 94 V-0
2	4	Anti-slip protection, TPE
3	2	Tip-up device, PA, UL 94 V-0
4	1	Assembly kit

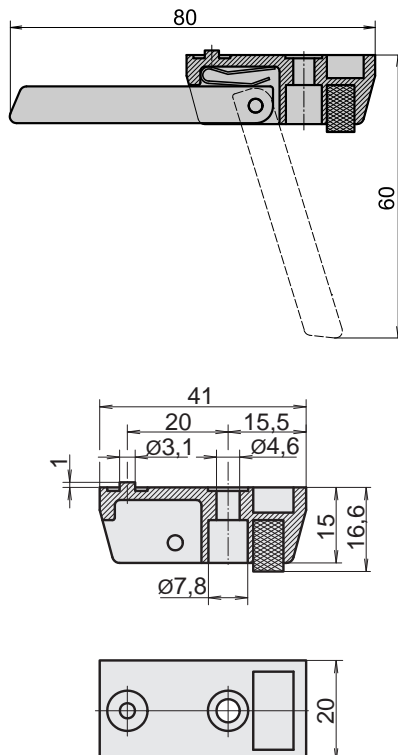
Order Information

Description	RAL 7016	RAL 9006
	anthracite	silver
	Part no.	Part no.
Plastic tip-up foot	20603-002	20603-001



For further information www.schroff.biz/oneclick
oneClick search code = Part no.

Al die-cast tip-up foot



- Static load-carrying capacity 50 kg per foot
- Tip-up feet can be used instead of the case feet fitted as standard
- Fixing holes provided in bottom of case

Order Information

Description	Qty	Part no.
Foot without tip-up, Al die-cast, silver	1 piece (SPQ 10) ¹⁾	10603-001
Foot with tip-up, Al die-cast, silver	1 piece (SPQ 10) ¹⁾	10603-002

Accessories

Cheesehead screw with slot M4 x 12, St, zinc-plated, PU 100 pieces	21101-211
Hexagon nut M4, St, zinc-plated, PU 100 pieces	21100-211
Spring washer A4, St, zinc-plated, PU 100 pieces	21100-207

1) Delivery is exclusively in Standard Pack Quantity (SPQ): Please order at least 10 pieces or a multiple. Pricing is per individual item.

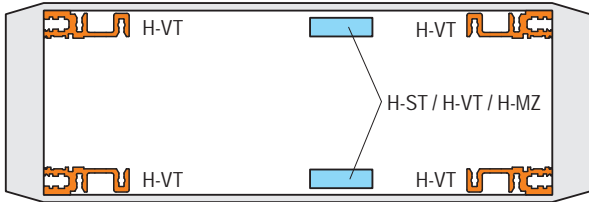


For further information www.schroff.biz/oneclick
oneClick search code = Part no.

Desk-top cases - *compacPRO*

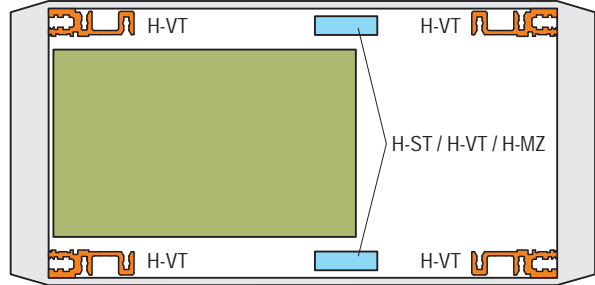
Mounting position horizontal/central rail

Case, 2 U



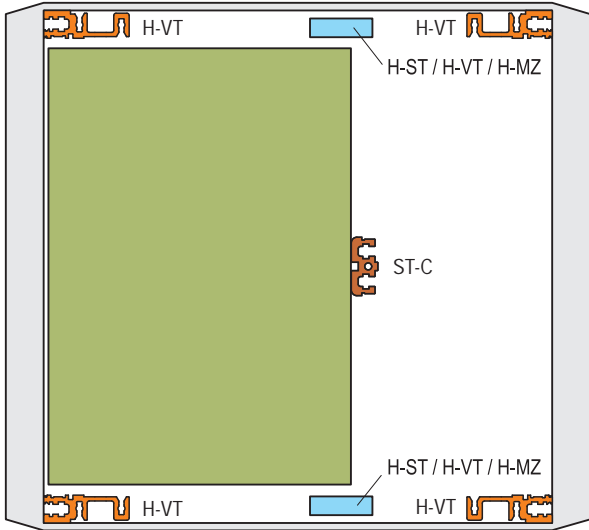
02004073

Case, 3 U + 4 U



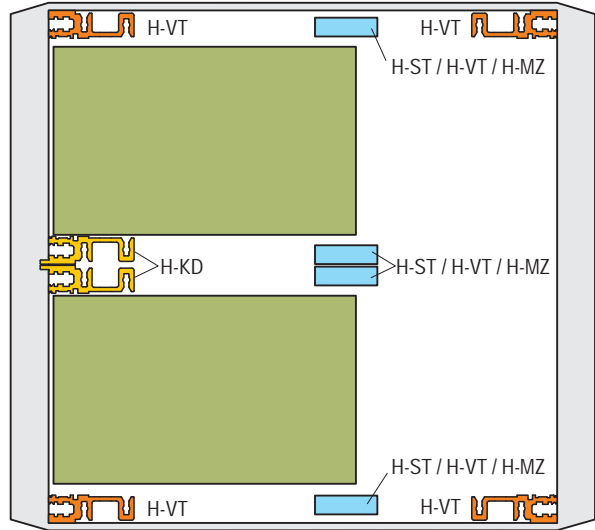
02004074

Case, 6 U



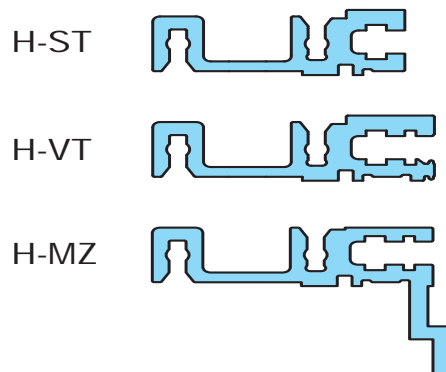
02004076

Case 2 x 3 U (6 U)



02004077

Horizontal rails











02004078

Desk-top cases - *compactPRO*

Horizontal rails to front/centre/rear

Order Information

		For indirect backplane fixing with insulation strip	For direct backplane fixing	For direct fixing of connectors in accordance with EN 60603-2 (DIN 41612)	Front horizontal rails
		 04400001 "heavy" Type H-ST standard  06197011 Al extrusion, anodised finish, conductive contact surface, with printed HP markings	 04400002 "heavy" Type H-VT long lip  06197013 Al extrusion, anodised finish, conductive contact surface, with printed HP markings	 04400003 "heavy" Type H-MZ with Z-rail  06197015 Al extrusion, anodised finish, conductive contact surface, with printed HP markings	 06197008 "heavy" Type H-KD short lip  06197008 Al extrusion, anodised finish, conductive contact surface, with printed HP markings
Usable length HP	Length mm	1 piece (SPQ 10) ¹⁾	1 piece (SPQ 10) ¹⁾	1 piece (SPQ 10) ¹⁾	1 piece (SPQ 10) ¹⁾
28	147.32	34560-528	34560-728	34560-928	34560-228
42	218.44	34560-542	34560-742	34560-942	34560-242
63	325.12	34560-563	34560-763	34560-963	34560-263
84	431.80	34560-584	34560-784	34560-984	34560-284
Torx countersunk screw, , M4 x 14, St, zinc-plated, PU 100 pieces		24571-371	24571-371	24571-371	24571-371
Torx countersunk screw, , M4 x 10, St, zinc-plated, required if guide rail is screwed to slot 1, PU 100 pieces		-	-	24571-372	24571-372
Z-rail for connector mounting without insulation strip see page		5.91	-	-	-
Insulation strips see page		-	5.90	-	-
Threaded inserts see page		5.90	5.90	5.90	5.90

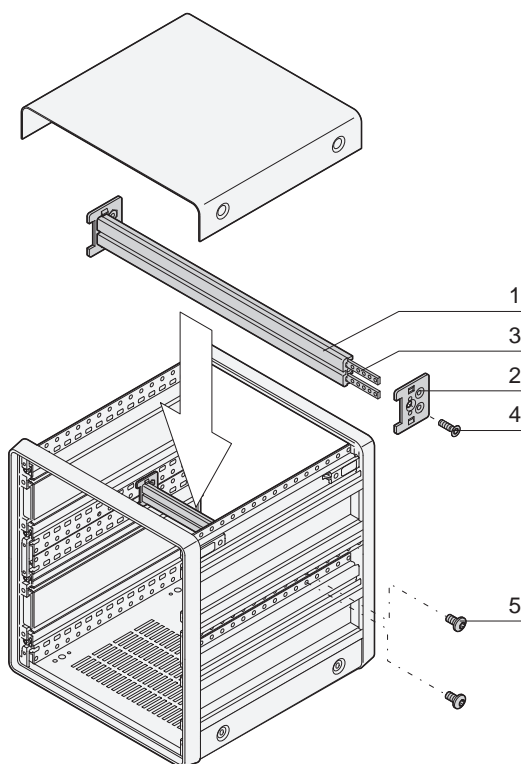
1) SPQ (standard pack quantity): Order number includes 1 piece, but delivery is exclusively made in standard pack quantity (SPQ); please order at least the SPQ quantity or a multiple thereof

Note

- Further horizontal rails, see from page 6.27
- Fitting options, see page 5.88

Desk-top cases - *compacPRO*

Horizontal rail, centre, type ST-C



02005050

- For indirect backplane mounting (with insulation strip)
- For 6 U compacPRO case

Delivery comprises (Kit, items 1 to 4 are pre-mounted)

Item	Qty	Description
1	1	Horizontal rail, Al extrusion, anodised, contact surfaces conductive
2	2	Adaptor plate, Al
3	2	Threaded insert, M2.5, St, zinc-plated
4	2	Countersunk screw, M4 x 14
5	4	Panhead screw, M4 x 6

Order Information

Usable width	Length	Part no.
HP	mm	
63	325.1	24575-454
84	431.8	24575-474

Threaded inserts, perforated strips, insulation strips

Order Information

Usable length	Threaded insert		Insulation strip	
	Length mm	1 piece (SPQ 10) ¹⁾	1 piece (SPQ 10) ¹⁾	Length mm
28	146.82	34561-328	–	144.20
42	217.94	34561-342	–	210.40
63	324.62	34561-363	–	316.88
84	431.30	34561-384	34561-484	428.64

Accessories

Grub screw M2.5 x 8, PU 100 pieces	21100-276	–	–
Grub screw M3 x 8, PU 100 pieces	–	21100-646	–

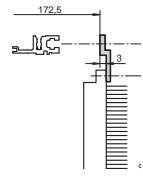
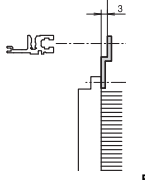
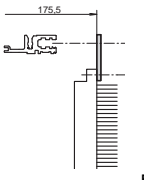
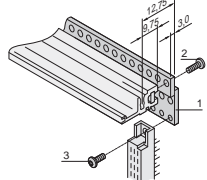

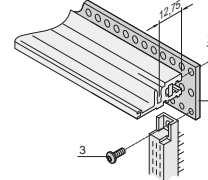
1) SPQ (standard pack quantity): Order number includes 1 piece, but delivery is exclusively made in standard pack quantity (SPQ); please order at least the SPQ quantity or a multiple thereof

2) Part no. includes one packing unit (PU); delivery is exclusively made in PU

Desk-top cases - *compacPRO*

Z-rails, perforated rails

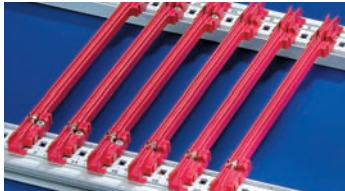
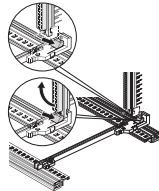
Order Information

		Z-rail for connectors		Perforated rail
		DIN EN 60603-2, DIN 41612 item 1	31-pin, DIN 41617	EN 606032, DIN 41612 item 1
		 <p style="text-align: center;">BZA45849</p>	 <p style="text-align: center;">BZA45850</p>	 <p style="text-align: center;">BZA45848</p>
		 <p style="text-align: center;">06708063</p>	 <p style="text-align: center;">06708063</p>	 <p style="text-align: center;">06708051</p>
		for connector mounting on ST horizontal rails, please order threaded insert and screw separately	for connector mounting on ST horizontal rails, please order threaded insert and screw separately	for connector mounting on VT horizontal rails, please order threaded insert and screw separately
Usable length	Length	1 piece	1 piece	PU 4 pieces
HP	mm			
28	142.24	30822-033	—	20822-049
42	213.36	30822-047	—	20822-050
60	304.80	30822-065	30819-783	20822-047
84	426.70	30822-089	30819-808	20822-048
Item 3, Torx panhead screw to fix connector to perforated rail,, M2.5 x 7, PU 100 pieces		24560-147	24560-147	24560-147
Item 2, Torx panhead screw, to fix perforated rails to horizontal rail, M2.5 x 10, PU 100 pieces		24560-148	24560-148	24560-148

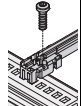
Desk-top cases - *compacPRO*

Guide rails for plug-in units and modules, one-piece,
groove width 2 mm and 2.5 mm

Order Information

Assembly - can be clipped into Al extruded horizontal rails - can be clipped into 1.5 mm thick plates Storage temperature from -40 °C ... 130 °C			For plug-in units and frame type plug-in units	
			standard  up to 220 mm length, PBT, UL 94 V-0; from 280 mm length, multi-piece, end piece PBT, UL 94 V-0, central section Al extrusion <small>06102001</small>	standard, with DIN connector fixing  PBT, UL 94 V-0, red, connector is clipped directly onto the guide rails; for euroboards, 100 x 160 mm or 100 x 220 mm only <small>06101501</small>
Board length mm	Groove width mm	Colour mm	PU 10 pieces	1 pair (SPQ 10) ¹⁾
70	2	red	-	-
70	2	grey	-	-
160	2	red	24560-351	64560-074
220	2	red	24560-353	64560-075
280	2	red	24560-379	-
340	2	red	24560-380	-
160	2.5	red	-	-
220	2.5	red	-	-
Dimension drawings see page			6.40	6.40

Accessories

Retention screw, PU 100 pieces		24560-141	24560-141
ESD clip, PU 50 pieces		24560-255	24560-255

¹⁾ SPQ (standard pack quantity): Order number includes 1 piece, but delivery is exclusively made in standard pack quantity (SPQ); please order at least the SPQ quantity or a multiple thereof

²⁾ Part no. includes one packing unit (PU); delivery is exclusively made in PU

Description of accessories see from page 6.41

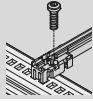
Desk-top cases - *compacPRO*

Guide rails type "accessory", one-piece,
groove width 2 mm and 2.5 mm

Order Information

Assembly - can be clipped into horizontal rails in Al extrusion - can be clipped into 1.5 mm thick plate Storage temperature from -40 °C ... +130 °C			accessory	Guide rails type accessory, strengthened	for heavy modules, Al extrusion, silver, robust version	
 <div style="text-align: right; font-size: small; margin-top: 5px;">06102002</div>			 <div style="text-align: right; font-size: small; margin-top: 5px;">06102002</div>	 <div style="text-align: right; font-size: small; margin-top: 5px;">06102005</div>	 <div style="text-align: right; font-size: small; margin-top: 5px;">06102005</div>	
up to 280 mm length, PBT, UL 94 V-0; > 280 mm length, multi-piece, end piece PBT, UL 94V-0, middle section Al extrusion			PBT UL 94 V?0, red support beam of guide rails adds to strengthening			Al extrusion; is screwed to horizontal rail "heavy" with retention screws
Board length mm	Groove width mm	Colour mm	PU 10 pieces	1 piece (SPQ 50)	1 piece (SPQ 10)¹⁾	
100	2	red	–	–	–	
160	2	red	24560-373	64560-076	–	
160	2	grey	–	–	34562-881	
220	2	red	24560-374	64560-078	–	
220	2	grey	–	–	34562-882	
280	2	red/silver	24560-375	64560-080	34562-883	
340	2	red/silver	24560-376	–	34562-884	
400	2	red/silver	–	–	34562-885	
160	2.5	silver	–	–	34564-881	
220	2.5	silver	–	–	34564-882	
280	2.5	silver	–	–	34564-883	
340	2.5	silver	–	–	34564-884	
400	2.5	silver	–	–	34564-885	
Dimension drawings see page			6.40	6.40	6.40	

Accessories

Retention screw, PU 100 pieces 	24560-141	24560-141	24560-157
ESD clip, PU 50 pieces	24560-255	24560-255	–
Board locking, red, PU 10 pieces	24560-377	24560-377	–
Board handle, red, PU 10 pieces description	24560-378	24560-378	–
Identification strips for board handle, red, PU 1 sheet = 438 pieces	60817-228	60817-228	–
Coding see page	see page 6.41		–

1) SPQ (standard pack quantity): Order number includes 1 piece, but delivery is exclusively made in standard pack quantity (SPQ); please order at least the SPQ quantity or a multiple thereof

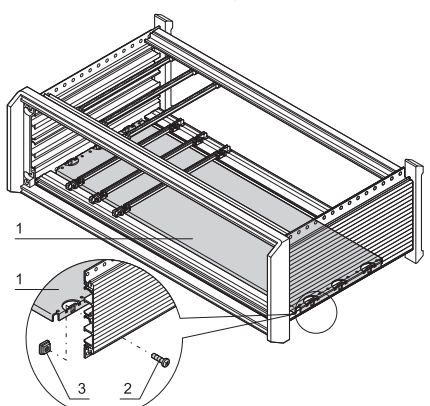
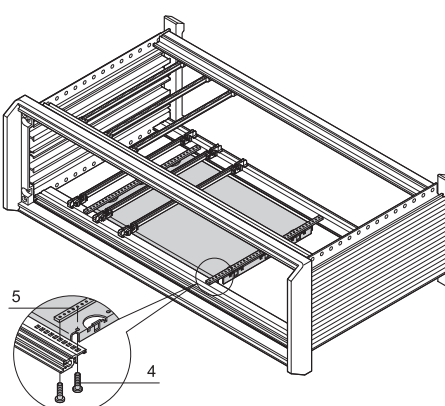
2) Part no. includes one packing unit (PU); delivery is exclusively made in PU

Further guide rails see page 6.35

Desk-top cases - *compacPRO*

Mounting plates

Order Information

			Mounting plate for fixing of heavy components	
			<p>Mounting plate over full width: mounting is onto the side panels; mounting plate over partial width: mounting is onto one side panel and fixing strip or onto 2 fixing strips</p>  <p>Al, 1.5 mm; for mounting over partial width, please order assembly strips separately</p> <p style="text-align: right;">06102501</p>	<p>Assembly strip for partial widths</p>  <p>St, 2 mm, zinc-plated; is bolted from front to rear onto the horizontal rails; to fix mounting plates</p> <p style="text-align: right;">05806100</p>
Width W	HP	Board length mm		
W				
28	146.88	160	34562-745	30840-021
28	146.88	220	34562-749	30840-033
28	146.88	280	34562-753	30840-045
28	146.88	340	34562-757	30840-057
42	217.99	160	34562-746	30840-021
42	217.99	220	34562-750	30840-033
42	217.99	280	34562-754	30840-045
42	217.99	340	34562-758	30840-057
63	324.67	160	34562-747	30840-021
63	324.67	220	34562-751	30840-033
63	324.67	280	34562-755	30840-045
63	324.67	340	34562-759	30840-057
84	431.35	160	34562-748	30840-021
84	431.35	220	34562-752	30840-033
84	431.35	280	34562-756	30840-045
84	431.35	340	34562-760	30840-057
Assembly kit for mounting plate				
PU 1 kit (Torx countersunk screw M4 x 5, St, zinc-plated, 12 pieces; screw M4 x 6, St, zinc-plated, 10 pieces; M4 square nut, St, zinc-plated, 10 pieces)			24560-184	-
Assembly kit for assembly strips of mounting plate, Torx screw M2.5 x 5, St, zinc-plated, PU 100 pieces			-	24560-146
M2.5 x 5, St, zinc-plated, PU 100 pieces				

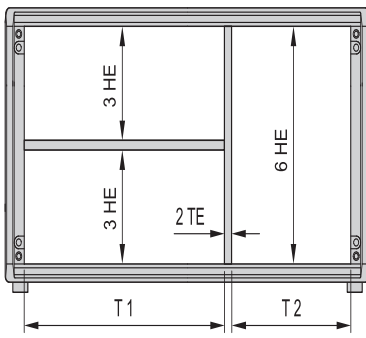
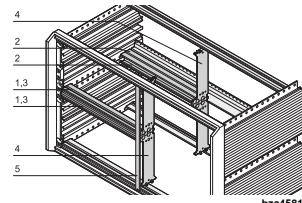
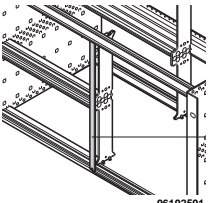
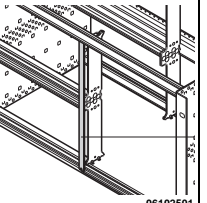
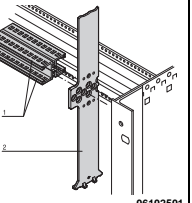
Note

- For installation and assembly of heavier components
- The mounting plate is as wide as the case and is fixed to the side panels
- A guide rail can be mounted on the first and last slot positions
- 4.4" and "strengthened" guide rails cannot be used

Desk-top cases - *compacPRO*

Combined mountings (6 U and 2 x 3 U one above the other)

Order Information

	horizontal and vertical subdivision (incl. front panel for stainless steel EMC gasket)	Combined mounting: unshielded front panel, 6 U, 2 HP item 6		front panel for textile EMC gasket, 6 U, 2 HP item 6	Splitting extrusion for combined mounting Item 2
					
	item 1: 2 front horizontal rails (H-KD), Al extrusion, anodised; item 2: 2 rear horizontal rails (AB), Al extrusion, anodised; item 3: threaded insert, St, zinc-plated; item 4: Zn die-cast support member; item 6: front panel 2 HP, 6 U, shielded; with EMC stainless steel gasket (84:0 without items 4, 6)	Al, 2.5 mm, front anodised, rear iridescent green chromated	Al, 2.5 mm, U-profile with notch, 6 U, 2 HP	6 U, die-cast zinc; splitting extrusion is inserted in the grid holes of the horizontal rail; the splitting extrusion can be bolted	
Width pitch T1:T2 HP	PU 1 kit	1 piece (SPQ 5)	1 piece (SPQ 5)¹⁾	1 piece	
20:62	24562-420				
40:42	24562-440				
42:40	24562-442	30847-472	30849-140	64560-010	
63:19	24562-463				
84:0	24562-484				
Torx countersunk screw M4 x 14, zinc-plated, PU 100 pieces fixing splitting extrusion/horizontal rail	–	–	–	24560-145	
Panhead screw M2.5 x 10, St, zinc-plated, PU 100 pieces fixing horizontal rail/splitting extrusion	–	–	–	24560-179	
Pozidrive/slotted collar screw M2.5 x 12.3, St, nickel-plated, PU 100 pieces	–	21101-101	21101-101	–	
Pozidrive/slotted collar screw M2.5, black, zinc-plated, PU 100 pieces	–	21101-102	21101-102	–	
Washer 2.7 x 5 x 1, plastic PA 6, PU 100 pieces	–	21101-121	21101-121	–	
Textile gasket, core: foam, sleeve: textile cladding with CuNi coating, UL 94 V-0, PU 10 pieces	–	–	21101-855	–	

■ Subdivision of the 6 U assembly area into:

- 2 x 3 U
- 1 x 6 U

■ Designed to accept Euroboards (100 mm high) and double Euroboards (233.35 mm high)

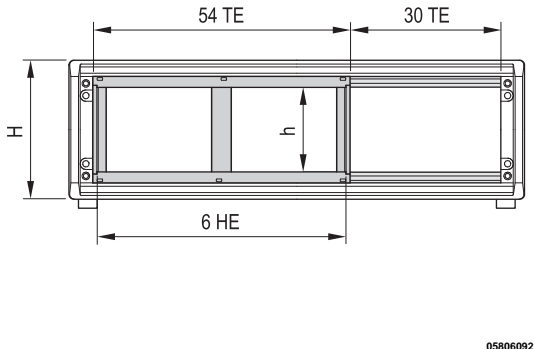
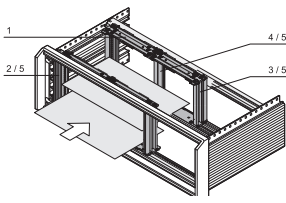
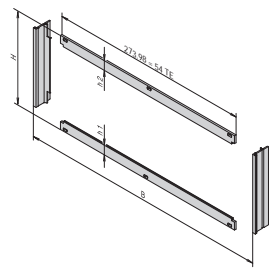
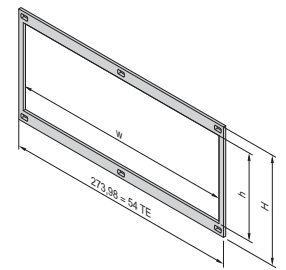



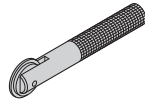
Note

- Please order perforated strips for horizontal rails separately, see page 5.90
- Please order rear centre horizontal rail separately, see page 5.89

Desk-top cases - *compact PRO*

Horizontal board installation

Order Information

			Horizontal board installation					
			Board cage	Front frame for EMC shielding	Front frame, unshielded			
<p>H = usable height (1 TE = 1 HP, 1 HE = 1 U)</p> <p>Height Usable height h Other dimensions and options</p> <p>U HP Horizontal rail, front Horizontal rail, rear</p>			 <p>Struts die-cast zinc; horizontal rails front and rear; threaded insert, St, zinc-plated; fixing material kit; for horizontal mounting of double-height euroboards in 3 or 4 U high subracks/cases; 54 HP space required; please order front frame for EMC shielding separately</p>	 <p>2 horizontal covers, Al 2.5 mm, front anodised, rear iridescent green chromated; 2 vertical trims, Al extrusion, clear passivated; stainless steel EMC gasket; front frame forms the contact between subrack and the sub-assemblies</p>	 <p>Al, 2.5 mm, clear anodised; front frame with cut-out, clear internal width w = 266.35 mm</p>	PU 1 kit	PU 1 kit	1 piece
3	20		24564-117	24564-109	34564-108			
3	20		24564-118	24564-109	34564-109			
4	28		24564-217	24564-209	34564-208			
<p>Assembly tool, for mounting the EMC gasket (stainless steel)</p> 			-	24560-270	-			

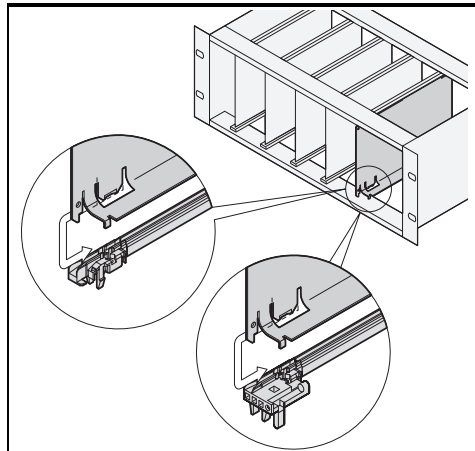
* For direct backplane mounting

Desk-top cases - *compacPRO*

Air baffle for slots

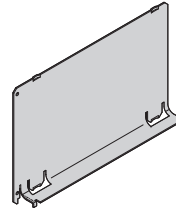
Order Information

Depth mm	Width HP	Height U	
160	4	3	34562-823
160	4	6	34562-826
160	8	3	34562-833
160	8	6	34562-836
160	12	3	34562-843
160	12	6	34562-846
220	4	3	34562-824
220	4	6	34562-827
220	8	3	34562-834
220	8	6	34562-837
220	12	3	34562-844
220	12	6	34562-847



06101507

**Air baffle
without front panel**



06108085

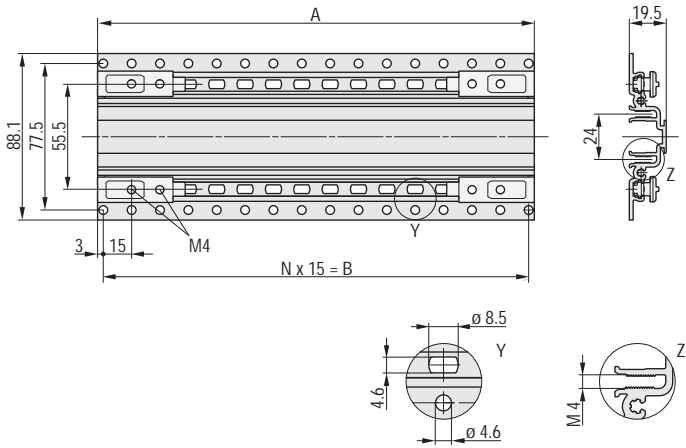
Al, 1 mm, incl. assembly kit; prevents an air short circuit in unoccupied slot positions; is pushed into the groove of the guide rails

1 piece

Desk-top cases - *compacPRO*

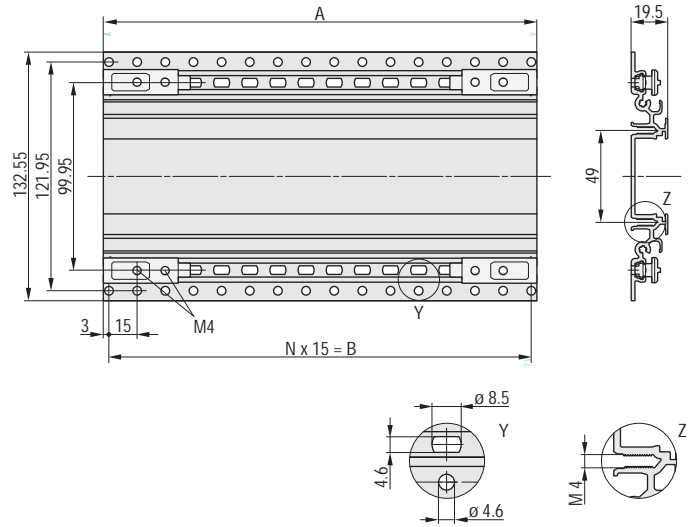
Dimensions

Extruded side panel 2 U



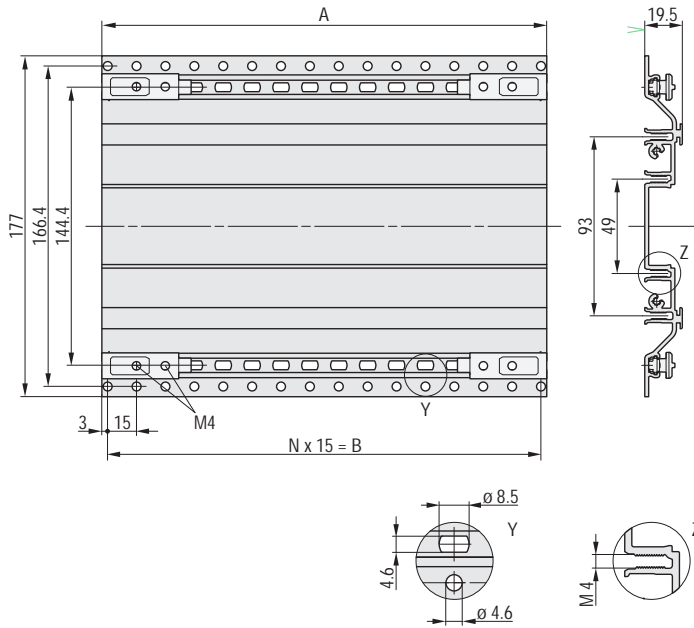
02004057

Extruded side panel 3 U



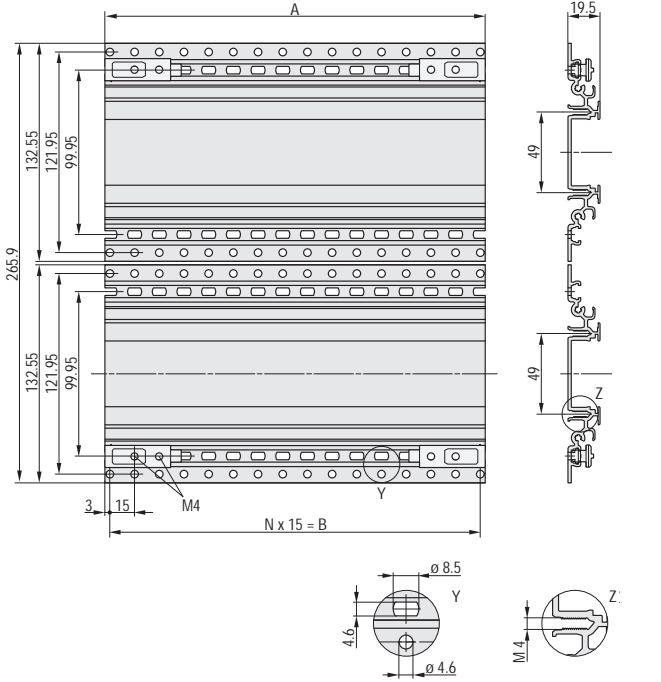
02004058

Extruded side panel 4 U



02004059

Extruded side panel 6 U



02004060

Dimensions

For case depth mm	Max. mounting depth mm	Dimensions	
		A in mm	B in mm
271	250	231	15 15 = 225
331	310	291	19 15 = 285
391	370	351	23 15 = 345
451	430	411	27 15 = 405
511	490	471	31 15 = 465

Note

Side panel for 6 U case consists of two 3 U extruded side panels

Desk-top cases - **compacPRO**

Overview 0

Cabinets 1

Wall mounted cases 2

Accessories for cabinets and wall mounted cases 3

Climate control 4

Desk-top cases 5

Subracks/ 19" chassis ... 6

Front panels, plug-in units .. 7

Systems 8

Power supply units 9

Backplanes .. 10

Connectors, front panel component system 11

Appendix 12

Desk-top cases - *comptec*



02202003

Standards

- Internal dimensions in accordance with IEC 60297-3-100
- Type of protection IP 20 in accordance with IEC 60529
- Protective ground connections in accordance with:
 - DIN EN 50178/VDE 0160
 - DIN EN 60950/VDE 0805
 - DIN EN 61010-1/VDE 0411 part 1
 - DIN EN 61010-1A2/VDE 0411 part 1/A1



Downloads and further important information can be found on the Internet under www.schroff.biz

Case to accept 19" subracks or 19" chassis

- Internal assemblies of up to 40 kg
- Up to six rows of ventilation slots in the base plate for optimal air inlet
- High stability
- Front and rear identical, depth-symmetrical construction
- With handle strip or recessed grip



02202004

Case

- Al die-cast frame front and rear
- Top cover and base plate can be subsequently removed
- Top cover and base plate fitted with hidden GND/earth connections
- Case height 3, 4, 6, 7 and 9 U (cladding parts in steel)
- Case height 9 U and 12 U (cladding parts in aluminium)



02202005

comptec

3, 4 U, St	5.102
6, 7, 9 U, St	5.103
9, 12 U, Al	5.104

Accessories

Folding handle	5.105
Slide rails	5.105
Earthing kit	5.106
Assembly kit	5.106
Tip-up feet	5.107



30407004

ServicePLUS from page 5.4

e.g. modifications (cut-outs, special colours)
e.g. custom solutions (special sizes)

e.g. assembly service from 1 piece

www.schroff.biz/ServicePLUS

ServicePLUS . . . 5.4

Desk-top cases - *comptec*

19" case, 3 U, 4 U



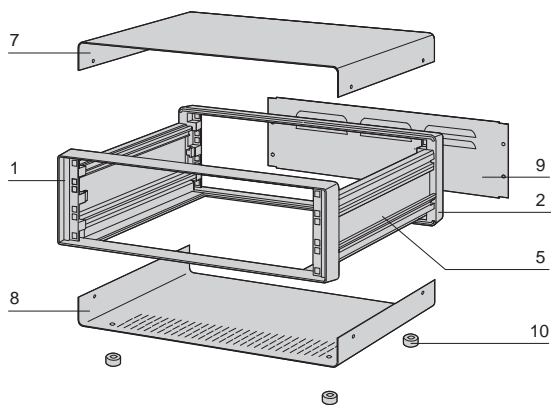
02202001

- Desk-top case (pre-fitted)
- Top cover, base plate and rear panel in steel
- Front and rear frames in die-cast Al
- Ventilation slits in base plate
- Ventilation gills in rear panel
- Side panel with integral handle function

Delivery comprises (kit)

Item	Qty	Description
1	1	Front frame, Al die-cast, RAL 7016, with 19" grid
2	1	Rear frame, Al die-cast, RAL 7016, with 19" grid
5	2	Side panel, Al extrusion, RAL 7016
7	1	Cover plate, Al, 1 mm, RAL 9006, with GND/earthing tag
8	1	Base plate, Al, 1 mm, RAL 9006, with GND/earthing tag
9	1	Rear panel, St, 1 mm, RAL 9006, with GND/earthing tag
10	4	Case foot with anti-slip protection, PC, black, UL 94 V-0
11	1	Assembly kit

Items 1, 2, 5 and 9 fitted.



CTTP0001

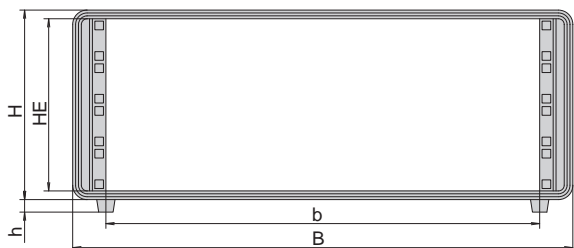
Order Information

	Height H	h	Depth D	Usable depth d	Width B	Part no.
U	mm	mm	mm	mm	mm	
3	153	13.0	300	276	520	10225-601
3	153	13.0	400	376	520	10225-612
3	153	13.0	500	476	520	10225-623
4	198	13.0	300	276	520	10225-602
4	198	13.0	400	376	520	10225-613
4	198	13.0	500	476	520	10225-624

Note

- Please order GND/earthing kit separately, see page 5.106
- The case foot, item 10, can be replaced by a tip-up foot, see page. 5.107
- Please order slide rails separately, see page 5.105

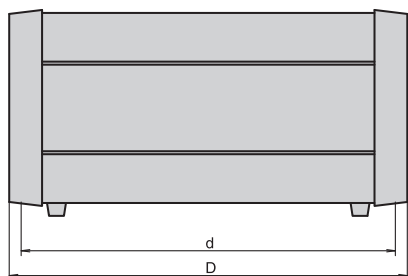
Front view



CTA30677

h = case foot height, HE = U, internal usable height

Side view



CTA42313

Usable width $b = B - 69$ mm, h = height of case foot



For further information www.schroff.biz/oneclick
oneClick search code = Part no.



ServicePLUS see page 5.4

Desk-top cases - *comptec*

19" case, 6 U, 7 U, 9U



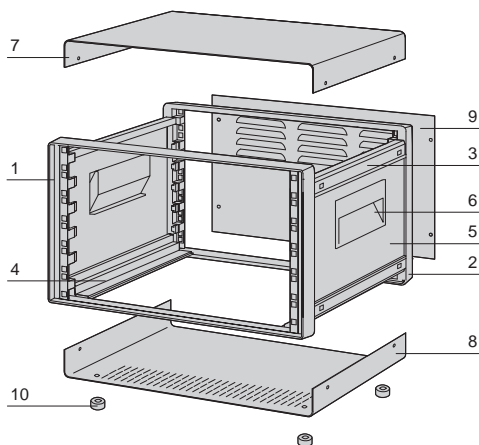
02202002

- Desk-top case (pre-fitted)
- With handle shell
- Top cover, base plate and rear panel in steel
- Front and rear frames in die-cast Al
- Ventilation slits in rear panel and base

Delivery comprises (kit)

Item	Qty	Description
1	1	Front frame, Al die-cast, RAL 7016, with 19" grid
2	1	Rear frame, Al die-cast, RAL 7016, with 19" grid
3	2	Side profile at top, Al extrusion, RAL 7016
4	2	Side profile at bottom, Al extrusion, RAL 7016
5	2	Side panel, St, 1.5 mm, RAL 9006, with GND/earthing tag
6	2	Handle shell, PC, RAL 7016, UL 94 V-0, load-carrying capacity: 60 kg/pair
7	1	Cover plate, St, 1 mm, RAL 9006, with GND/earthing tag
8	1	Base plate, St, 1 mm, RAL 9006, with GND/earthing tag
9	1	Rear panel, St, 1 mm, RAL 9006, with GND/earthing tag
10	4	Case foot with anti-slip protection, PC, black, UL 94 V-0
11	1	Assembly kit

Items 1, 2, 3, 4, 5, 6 and 9 fitted.



CTTP0002

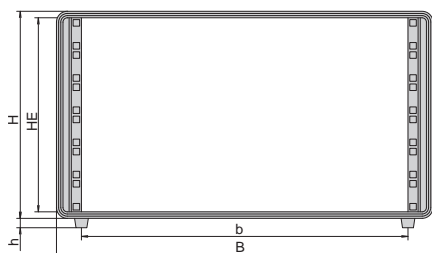
Order Information

	Height H		Depth D	Usable depth d	Width B	Part no.
	mm	mm				
6	286	13	300	276	520	10225-604
6	286	13	400	376	520	10225-615
6	286	13	500	476	520	10225-626
6	286	13	600	576	520	10225-637
7	331	13	400	376	520	10225-616
7	331	13	500	476	520	10225-627
7	331	13	600	576	520	10225-638
9	420	13	400	376	520	10225-618
9	420	13	500	476	520	10225-629
9	420	13	600	576	520	10225-640

Note

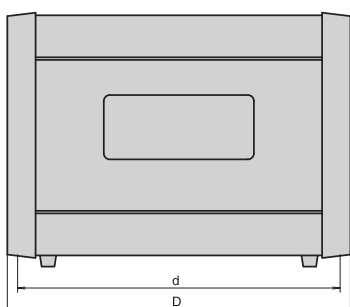
- Please order GND/earthing kit separately, see page 5.106
- The case foot, item 10, can be replaced by a tip-up foot, see page 5.107
- Please order slide rails separately, see page 5.105
- Handle shell, item 6, can be replaced by a folding handle, see page 5.105

Front view



h = case foot height, HE = U, internal usable height

Side view



Usable depth $d = D - 24$ mm

CTA42312



For further information www.schroff.biz/oneclick
oneClick search code = Part no.



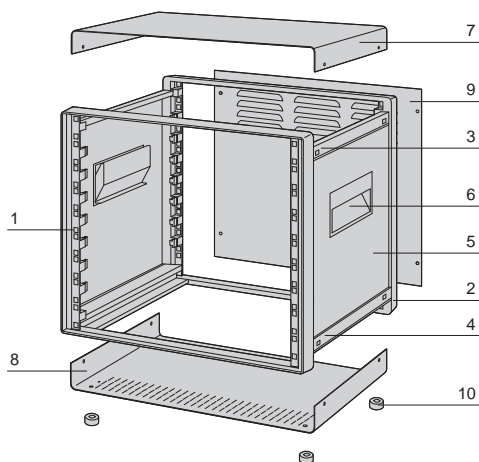
ServicePLUS see page 5.4

Desk-top cases - *comptec*

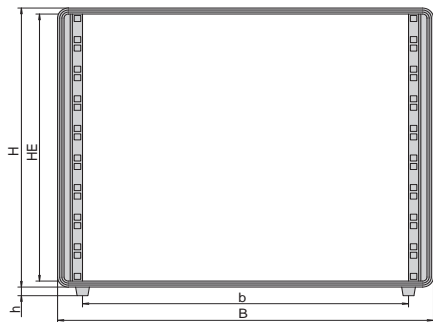
19" cases 9 and 12 U, aluminium



02202006

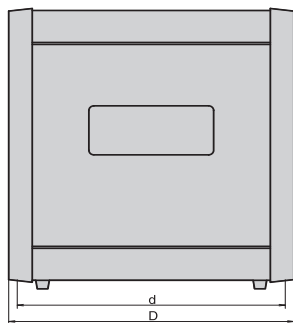


Front view



Usable width $b = B - 69$ mm, h = height of case foot

Side view



Usable depth $d = D - 24$ mm

- Desk-top case (pre-fitted)
- With handle shell
- Top cover, base plate and rear panel in Al
- Front and rear frames in die-cast Al
- Ventilation slots in base plate
- Air vents in rear panel

Delivery comprises (kit)

Item	Qty	Description
1	1	Front frame, Al die-cast, RAL 7016, with 19" grid
2	1	Rear frame, Al die-cast, RAL 7016, with 19" grid
3	2	Side profile at top, Al extrusion, RAL 7016
4	2	Side profile at bottom, Al extrusion, RAL 7016
5	2	Side panel, Al, 1.5 mm, RAL 9006, with GND/earthing tag
6	2	Handle shell, PC, RAL 7016, UL 94 V-0, load-carrying capacity: 60 kg/pair
7	1	Cover plate, Al, 1 mm, RAL 9006, with GND/earthing tag
8	1	Base plate, Al, 1 mm, RAL 9006, with GND/earthing tag
9	1	Rear panel, Al, 1 mm, RAL 9006, with GND/earthing tag
10	4	Case foot with anti-slip protection, PC, black, UL 94 V-0
11	1	Assembly kit

Items 1, 2, 3, 4, 5, 6 and 9 fitted.

Order Information

	Height H	h	Depth D	Usable depth d	Width B	Part no.
U	mm	mm	mm	mm	mm	
9	420	13	400	376	520	10225-667
9	420	13	500	476	520	10225-682
9	420	13	600	576	520	10225-693
12	553	13	400	376	520	10225-670
12	553	13	500	476	520	10225-685
12	553	13	600	576	520	10225-696

CTTP0003

Note

- Please order GND/earthing kit separately, see page 5.106
- The case foot, item 10, can be replaced by a tip-up foot, see page 5.107
- Please order slide rails separately, see page 5.105
- Handle shell, item 6, can be replaced by a folding handle, see page 5.105

CTA30679



For further information www.schroff.biz/oneclick
oneClick search code = Part no.

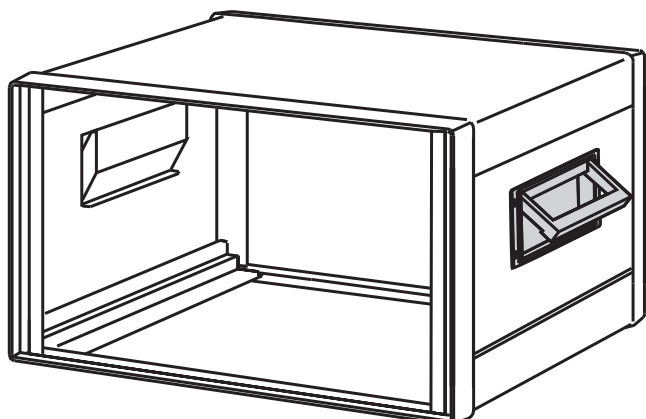
CTA42314



ServicePLUS see page 5.4

Desk-top cases - *comptec*

Folding handle



CTTP0006

- Folding handles can be used instead of the pre-fitted handle shells
- Load-carrying capacity: 50 kg/pair

Delivery comprises (kit)

Item	Qty	Description
1	2	Folding handle, Al die-cast, RAL 7016
2	1	Assembly kit

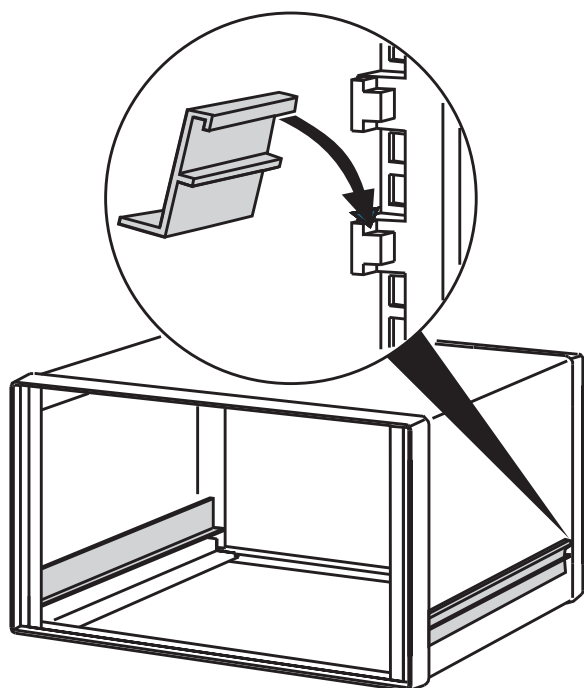
Order Information

Description	Part no.
Folding handle	20225-439



For further information www.schroff.biz/oneclick
oneClick search code = Part no.

Slide rails



CTTP0005

- Slide rails are suitable as support for 19" subracks and 19" chassis

Delivery comprises

Item	Qty	Description
1	1	Slide rail, Al extrusion, anodised, cut edges plain, static load-carrying capacity 10 kg

Order Information

For case depth mm	Part no.
300	30225-089
400	30225-090
500	30225-091
600	30225-092

Note

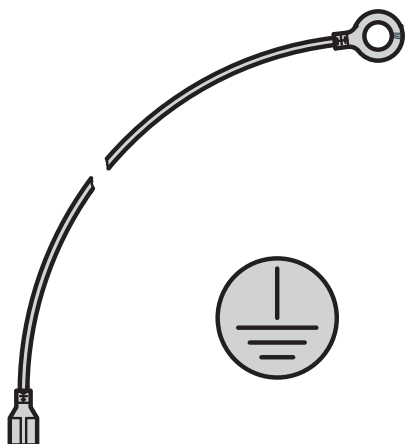
- 2 slide rails are required per subrack or 19" chassis
- Slide rail cannot be used for shielded 19" subracks; special slide rails available on request



For further information www.schroff.biz/oneclick
oneClick search code = Part no.

Desk-top cases - *comptec*

GND/earthing kit



aza43294

- The GND/earthing kit allows VDE compliant earthing of cases in accordance with:
EN 50178/VDE 0160
EN 60950/VDE 0805
EN 61010-1/VDE 0411 part 1
EN 61010-1A2/VDE 0411 part 1/A

- VDE tested

Delivery comprises (kit)

Item	Qty	Description
1	1	GND/earthing kit, Cu wire, 1.5 mm ² , PVC sheathing, green/yellow, connects side panels, cover, base plate and rear panel

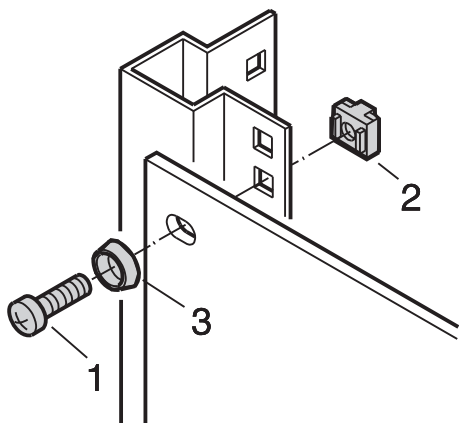
Order Information

Description	Up to 4 U	bigger than 4 U
	Part no.	Part no.
GND/earthing kit for cases with steel covers	21100-490	21100-448
GND/earthing kit for cases with aluminium covers	-	21100-347



For further information www.schroff.biz/oneclick
oneClick search code = Part no.

19" fixing



SC128XXX

- For fitting subracks or 19" chassis in a comptec case
- For fixing 19" front panels

Delivery comprises

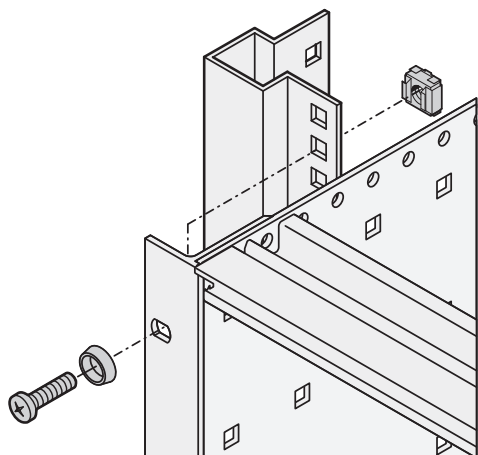
Item	Description
1	Screw M6 x 16, zinc-plated with Pozidrive
2	Cage nut M6, zinc-plated
3	Plastic washer, ABS, black

Order Information

Description	Part no.
PU = 8 x screw, washer, nut	21100-435
PU = 50 each of M6 screw, washer and cage nut	21101-809
PU = 100 each of M6 screw, washer and cage nut	21101-810



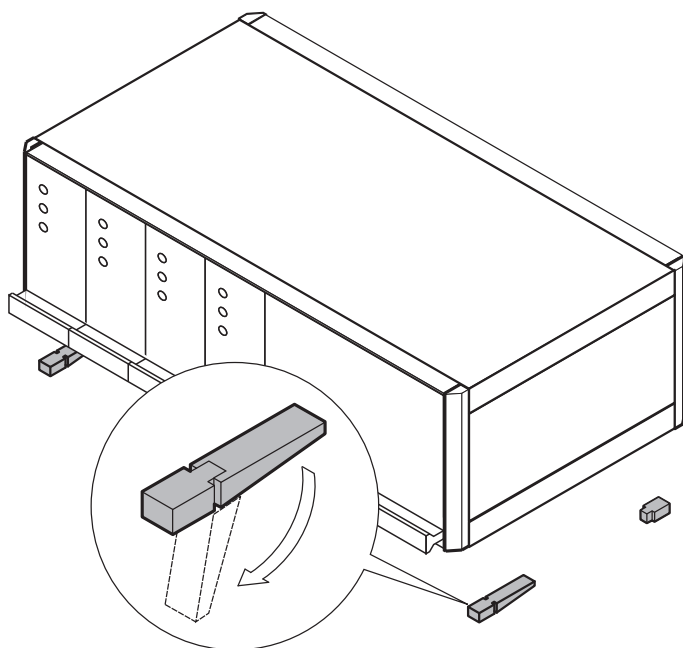
For further information www.schroff.biz/oneclick
oneClick search code = Part no.



06108055

Desk-top cases - *comptec*

Plastic tip-up feet



- Static load-carrying capacity 25 kg per foot
- Tip-up feet can be used instead of the case feet fitted as standard
- Fixing holes provided in bottom of case

Delivery comprises (kit)

Item	Qty	Description
1	4	Foot, PA, UL 94 V-0
2	4	Anti-slip protection, TPE
3	2	Tip-up device, PA, UL 94 V-0
4	1	Assembly kit

Order Information

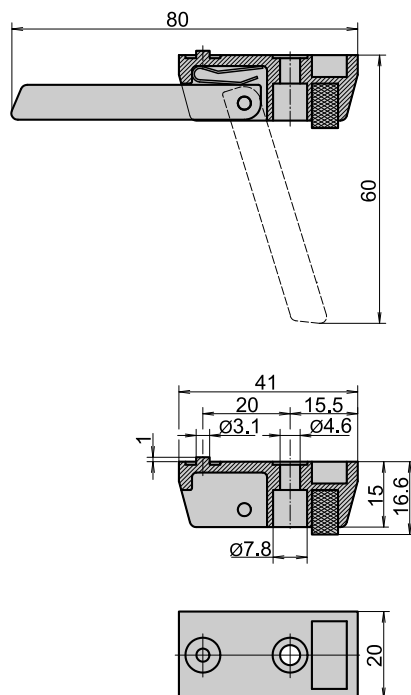
Description	RAL 7016	RAL 9006
	anthracite	silver
	Part no.	Part no.
Plastic tip-up foot	20603-002	20603-001



For further information www.schroff.biz/oneclick
oneClick search code = Part no.

01802075

Tip-up foot in die-cast Al



- Static load-carrying capacity 50 kg per foot
- Tip-up feet can be used instead of the case feet fitted as standard
- Fixing holes provided in bottom of case

Order Information

Description	Qty	Part no.
Foot with tip-up, Al die-cast, silver	1 piece (SPQ 10) ¹⁾	10603-002
Foot without tip-up, Al die-cast, silver	1 piece (SPQ 10) ¹⁾	10603-001
Cheesehead screw with slot M4 x 12, St, zinc-plated, PU 100 pieces		21101-211
Hexagon nut M4, St, zinc-plated, PU 100 pieces		21100-211
Spring washer A4, St, zinc-plated, PU 100 pieces		21100-207

1) Part no. comprises 1 piece;
delivery is in standard pack quantity (SPQ):
please order a minimum of 10 feet or a multiple

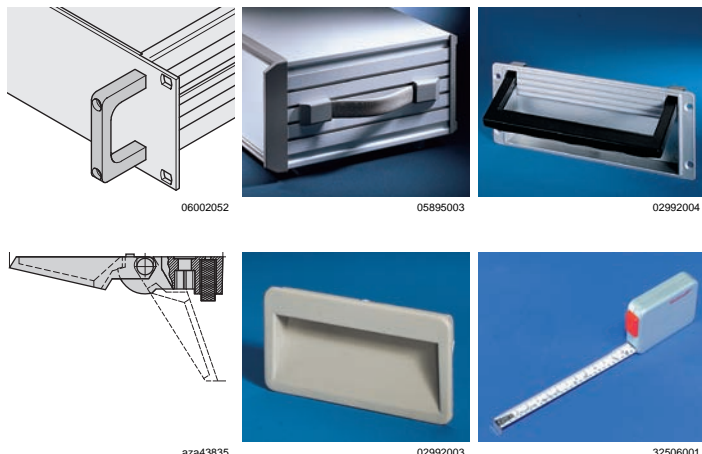


For further information www.schroff.biz/oneclick
oneClick search code = Part no.

AZA43836

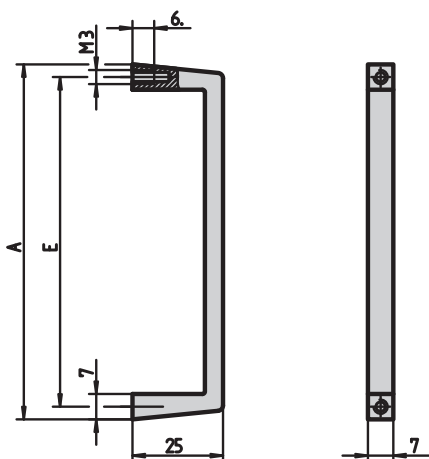
Desk-top cases - Accessories

Contents



- Front handles see page 5.108
- Strap handles see page 5.111
- Tip-up carrying handles, see page 5.112
- Folding handles see page 5.113
- Tray handle see page 5.114
- Feet, see page 5.115
- Screwdriver (Torx) 5.117
- Measuring tape, see page 5.117

Front handle, one-piece, width 7 mm



BZA42318

- Static load-carrying capacity 10 kg/pair
- Bolted from rear

Delivery comprises (kit)

Item	Qty	Description
1	1	Front handle, Al extrusion, anodised

Order Information

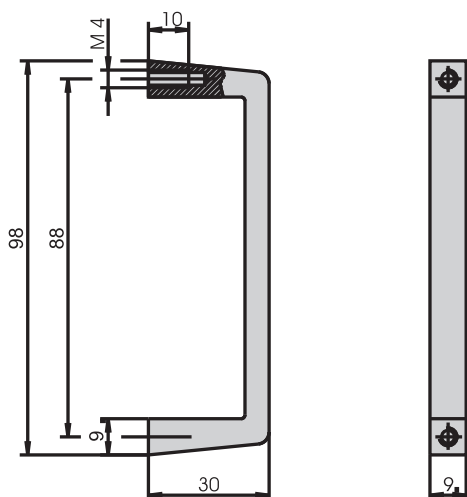
A	E	Part no.
mm	mm	
48	40	10501-001
98	90	10501-002

Delivery is exclusively in Standard Pack Quantity (SPQ):
Please order at least 10 pieces or a multiple.
Pricing is per individual item.



For further information www.schroff.biz/oneclick
oneClick search code = Part no.

Front handle, one-piece, width 9 mm



BZA42330

- Static load-carrying capacity 30 kg/pair
- Bolted from rear

Delivery comprises (kit)

Item	Qty	Description
1	1	Front handle, Al extrusion, anodised

Order Information

Description	Part no.
Front handle	10501-003
Pozidrive countersunk screw 14 x 10, zinc-plated, PU 100 pieces	21101-381

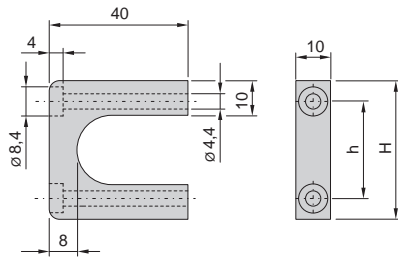
Delivery is exclusively in Standard Pack Quantity (SPQ):
Please order at least 10 front handles or a multiple.
Pricing is per individual item.



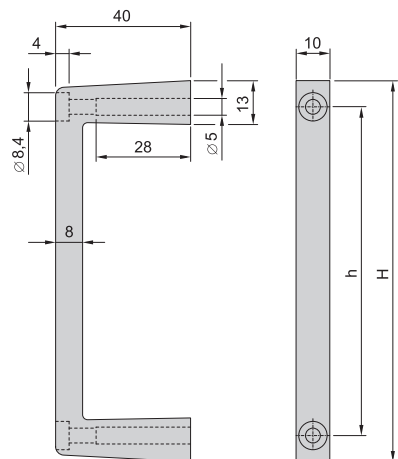
For further information www.schroff.biz/oneclick
oneClick search code = Part no.

Desk-top cases - Accessories

Front handle, one-piece, width 10 mm



H = 1 U



H ≥ 2 U

- Static load-carrying capacity 30 kg/pair
- Bolted from front

Delivery comprises (kit)

Item	Qty	Description
1	2	Front handle, Al extrusion, anodised
2	1	Assembly kit

Order Information

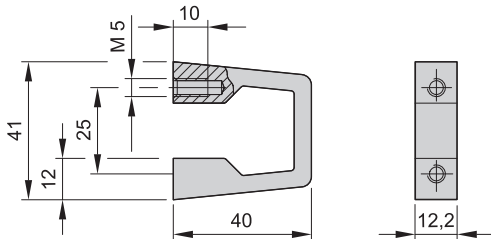
Height H	Height H	Height h	Part no.
U	mm	mm	
1	40	28	20860-256
2	69	53	20860-257
3	113	97.5	20860-258
4	157.45	141.9	20860-259
5	201.9	186.4	20860-260



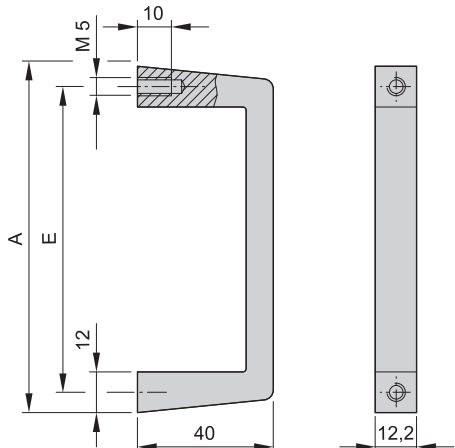
For further information www.schroff.biz/oneclick
oneClick search code = Part no.

Front handle, one-piece, width 12.2 mm

1 U



2 U ... 6 U



- Static load-carrying capacity 30 kg/pair
- Bolted from rear

Delivery comprises

Item	Qty	Description
1	1	Front handle, Al extrusion, anodised

Order Information

A	E	clear anodised	black anodised
mm	mm	Part no.	Part no.
41	25	10501-116	-
57.5	44.5	10501-016	-
69	55	10501-004	10501-025
102	88	10501-005	10501-026
132	120	10501-006	10501-027
146.4	133.4	10501-018	-
194	180	10501-007	10501-028
249	235	10501-008	10501-029

Panhead pozidrive screw self-locking, M5 × 12, zinc-plated, PU 100 pieces 21100-788

Torx countersunk screw M5 × 12, zinc-plated, 100 pieces 24560-183

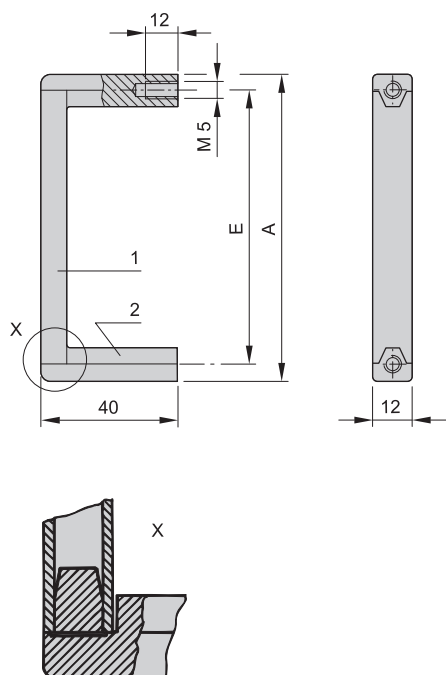
Delivery is exclusively in Standard Pack Quantity (SPQ): Please order at least 10 front handles or a multiple. Pricing is per individual item.

Note

- Please order panhead screws separately

Desk-top cases - Accessories

Front handle, multi-piece, width 12 mm



- Static load-carrying capacity 10 kg/pair
- In three parts, middle section in Al extrusion, end pieces in glass fibre reinforced plastic
- Bolts on from front

Delivery comprises (kit)

Item	Qty	Description
1	1	Front handle, Al extrusion, anodised
2	2	End piece, PA, black

Order Information

A	E	Part no.
mm	mm	
87.5	73.5	10502-050
102.0	88	10502-057
134.0	120	10502-059
194.0	180	10502-063
249	235	10502-065

Panhead screw pozidrive self-locking, M5 x 12, zinc-plated, PU 100 pieces 21100-788

Delivery is exclusively in Standard Pack Quantity (SPQ):

Please order at least 10 front handles or a multiple.

Pricing is per individual item.

A3-227

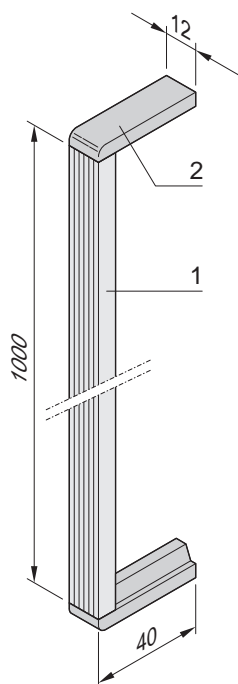
Note

- Please order panhead screws separately



For further information www.schroff.biz/oneclick
oneClick search code = Part no.

Front handle, multi-piece, width 12 mm



Order Information

Description	Qty/PU	Part no.
Item 1, front handle, Al extrusion, anodised, 1 m long	1	30502-051
Item 2, end piece, PA, black, 2 pieces each required	1	60502-003
Panhead pozidrive screw self-locking, M5 x 12, zinc-plated, PU 100 pieces		21100-788

02908050

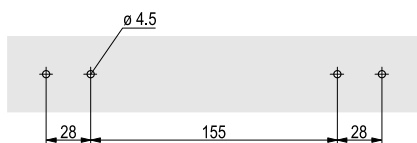
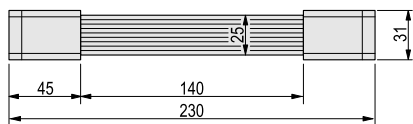
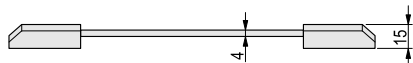
Item 1: front handle; item 2: end piece

Desk-top cases - Accessories

Strap handle, width 25 mm



05895003



02902050

- Static load-carrying capacity 20 kg

Delivery comprises (kit)

Item	Qty	Description
1	1	Band, spring steel, handle, flexible plastic, grey, RAL 7016
2	2	Cover, grey, RAL 7016
3	1	Assembly kit

Order Information

Length mm	Part no.
230	20850-249



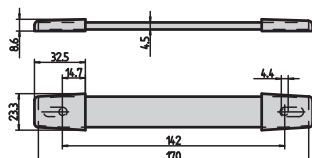
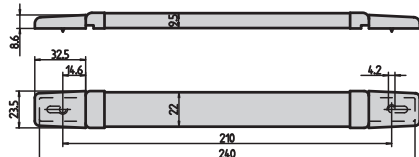
For further information www.schroff.biz/oneclick
oneClick search code = Part no.

Strap handle, width 22 mm



02992006

Length 240 mm/170 mm



BZA42368

- Static load-carrying capacity 20 kg

Delivery comprises (kit)

Item	Qty	Description
1	1	Band, spring steel, plastic-coated, black
2	2	Cover cap, St, chrome-plated
3	1	Assembly kit

Order Information

Length mm	Part no.
170	10504-002
240	10504-003



For further information www.schroff.biz/oneclick
oneClick search code = Part no.

Desk-top cases – Accessories

Tip-up carrying handle in separate parts



02992002

02992001

- Static load-carrying capacity 25 kg (with handle bars of 450 mm length)

Lateral handle parts



02992002

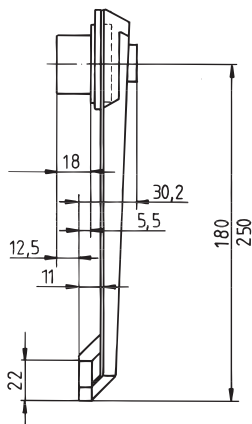
- Handle can be adjusted in 30° grid by pressing button

Delivery comprises (kit)

Item	Qty	Description
1	2	Lateral parts, die-cast zinc, painted (chrome decor)
2	2	Safety inserts, St, 1.5 mm, black
3	2	Adaptor/locking brackets
4	1	Assembly kit

Order Information

Length mm	Part no.
180	10502-297
250	10502-296



A4-2361



For further information www.schroff.biz/oneclick
oneClick search code = Part no.

Handle bar



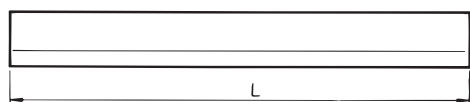
02992001

Delivery comprises (kit)

Item	Qty	Description
1	1	Handle bar, Al, black anodised

Order Information

Length mm	Part no.
1000	30502-191



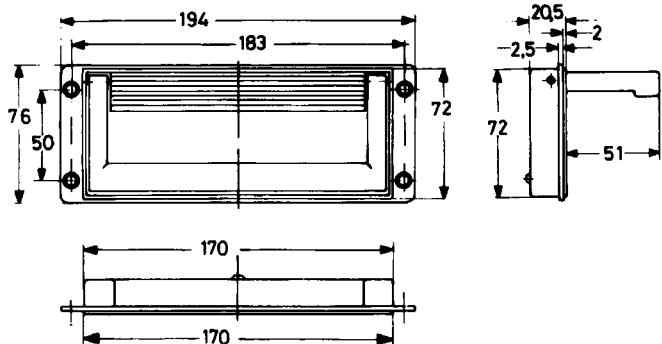
A4-2367



For further information www.schroff.biz/oneclick
oneClick search code = Part no.

Desk-top cases - Accessories

Folding metal handle



02992004

- Static load-carrying capacity 30 kg/pair
- For case ingress protection to IP 40
- Locks in folded and opened positions
- Equal cut-out for fitting in front of or behind case wall

Delivery comprises (kit)

Item	Qty	Description
1	1	Handle, Al die-cast, RAL 9005, black
2	1	Handle shell, Al die-cast, RAL 9006, silver

Order Information

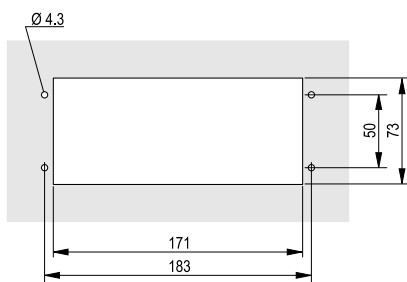
Description	Part no.
Folding metal handle	20505-032

Delivery is exclusively in Standard Pack Quantity (SPQ): Please order at least 10 pieces or a multiple. Pricing is per individual item.



For further information www.schroff.biz/oneclick
oneClick search code = Part no.

A4-2369

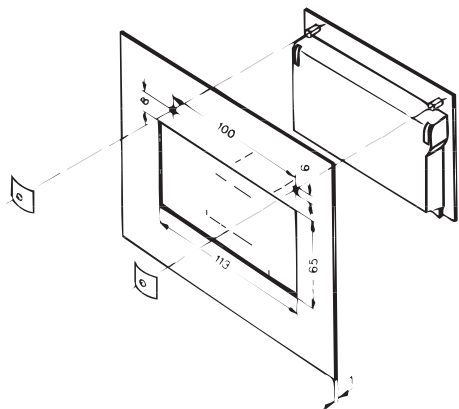


A4-2370

Folding plastic handle



Folding plastic handle



02992005

- Static load-carrying capacity 20 kg/pair
- For case ingress protection to IP 40
- Locks in folded and opened positions
- External mounting only

Delivery comprises (kit)

Item	Qty	Description
1	1	Handle, PA, light grey
2	1	Handle shell, PA, dark grey
3	1	Assembly kit

Order Information

Description	Part no.
Folding plastic handle	10505-014

Delivery is exclusively in Standard Pack Quantity (SPQ): Please order at least 10 pieces or a multiple. Pricing is per individual item.



For further information www.schroff.biz/oneclick
oneClick search code = Part no.

A2-123

Desk-top cases - Accessories

Tray handle



- Static load-carrying capacity 30 kg/pair

Delivery comprises

Item	Qty	Description
1	1	Handle shell, PC, UL 94 V-0

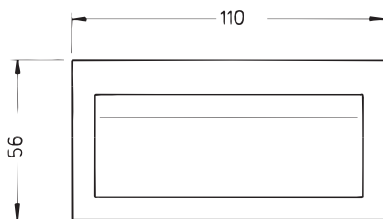
Order Information

Colour	Size 1 for material thickness 1.5 mm Part no.	Size 1 for material thickness 2.5 mm Part no.	Size 2 for material thickness 1.5 mm Part no.
grey-brown	60229-002	60229-001	60225-015
black	60229-004	60229-003	60225-012
RAL 7016	-	-	20225-167
Spring clip PU 20 pieces			21100-089
Spring clip PU 100 pieces			21100-093

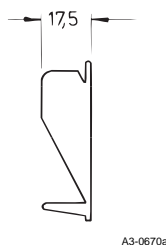
Delivery is exclusively in Standard Pack Quantity (SPQ):
Please order a minimum of 10 tray handles or a multiple.
Pricing is per individual item.

Note

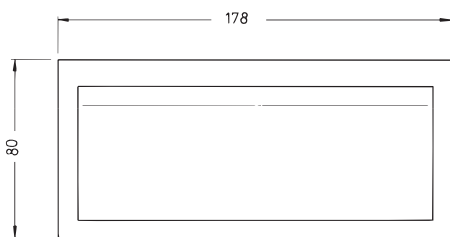
- Please order spring clips for fixing to the case separately
Required:
 - for handle size 1: 2 spring clips
 - for handle size 2: 3 spring clips



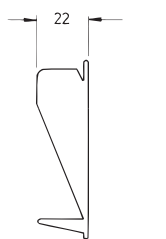
Size 1, case cut-out 49 x 104 mm



A3-0670a



Size 2, case cut-out 73 x 171 mm



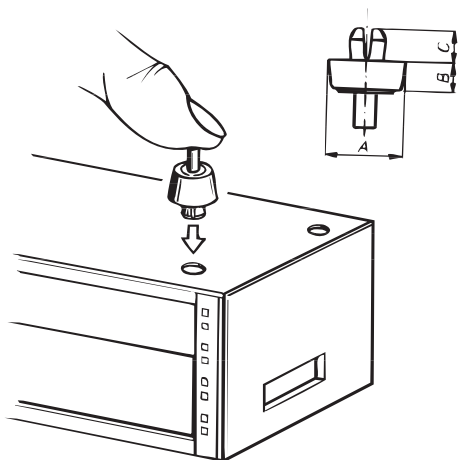
A3-0670b



For further information www.schroff.biz/oneclick
oneClick search code = Part no.

Desk-top cases - Accessories

Plastic foot



Delivery comprises

Pos.	Menge	Beschreibung
1	1	Plastic foot, PC, UL 94 V-0, black

Order Information

Description	Dimensions			Hole diameter	Part no.
	A	B	C		
For material thickness 1 ... 3	16	7.2	4	7	60224-009
For material thickness 1.5 ... 3	21	15	7	7.7	60224-011

Delivery is exclusively in Standard Pack Quantity (SPQ): Please order at least 50 pieces or a multiple. Pricing is per individual item.

Note

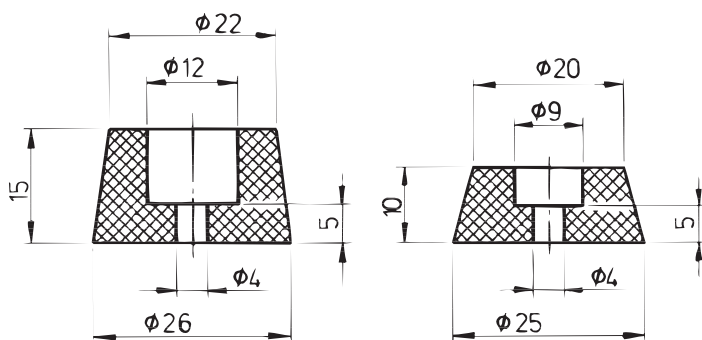
- Foot is inserted into mounting hole and then fixed by pressing in the expanding pin

A4-330



For further information www.schroff.biz/oneclick
oneClick search code = Part no.

Rubber foot



A4-2315

Order Information

Dimensions	Material	Colour	Qty	Part no.
Height				
mm				
10	Rubber	grey	1	60200-001
15	Rubber	grey	1	60200-027

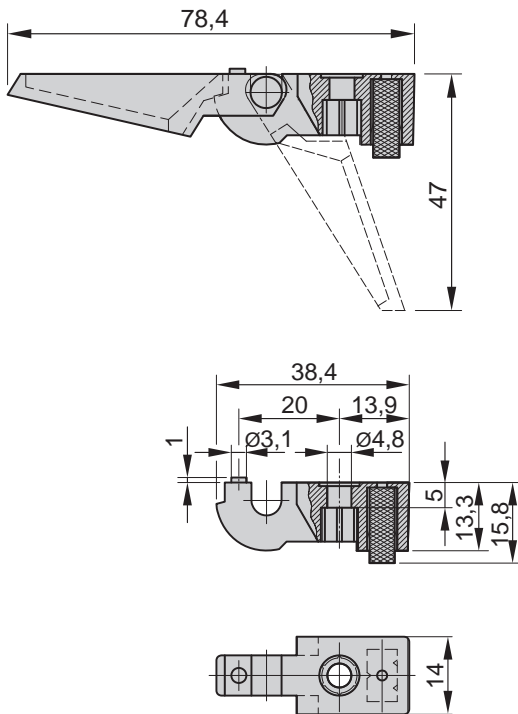
Delivery is exclusively in Standard Pack Quantity (SPQ): Please order at least 50 pieces or a multiple. Pricing is per individual item.



For further information www.schroff.biz/oneclick
oneClick search code = Part no.

Desk-top cases - Accessories

Plastic tip-up foot



- Static load-carrying capacity 25 kg per foot
- Can be used instead of standard feet
- Fixing holes provided in bottom of case

Order Information

Description	Qty/PU	grey Part no.	black Part no.
Foot with tip-up, PA, UL 94 HB	1	10603-023	10603-025
Foot without tip-up, PA, UL 94 HB	1	10603-024	10603-026
Pozidrive flathead screw M4 x 10, St, zinc-plated, PU 100 pieces			21100-513
Hexagon nut M4, St, zinc-plated, PU 100 pieces			21100-211
Spring washer A4, St, zinc-plated, PU 100 pieces			21100-207

Delivery is exclusively in Standard Pack Quantity (SPQ):
Please order a minimum of 10 feet or a multiple.
Pricing is per individual item.

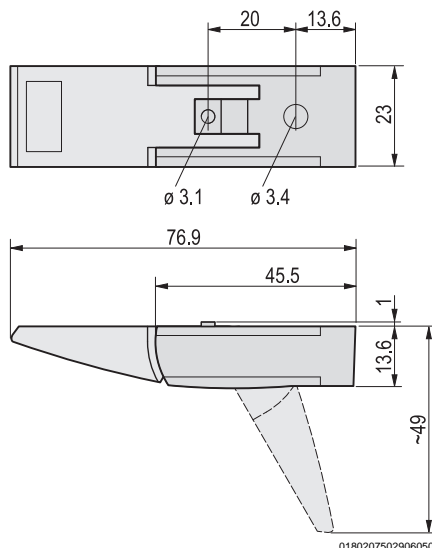
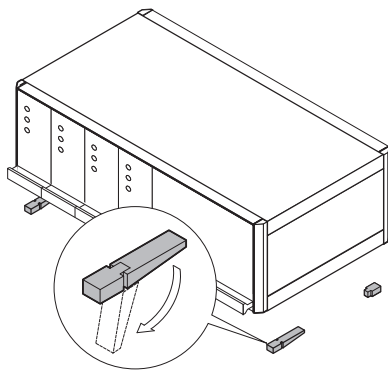
Note

- Please order assembly kit separately.



For further information www.schroff.biz/oneclick
oneClick search code = Part no.

Plastic tip-up feet



- Static load-carrying capacity 25 kg per foot
- Can be used instead of standard feet
- Fixing holes provided in bottom of case

Delivery comprises (kit)

Item	Qty	Description
1	4	Foot, PA, UL 94 V-0
2	4	Anti-slip protection, TPE
3	2	Tip-up device, PA, UL 94 V-0
4	1	Assembly kit

Order Information

Description	RAL 7016 anthracite Part no.	RAL 9006 silver Part no.
Plastic tip-up foot	20603-002	20603-001



For further information www.schroff.biz/oneclick
oneClick search code = Part no.

