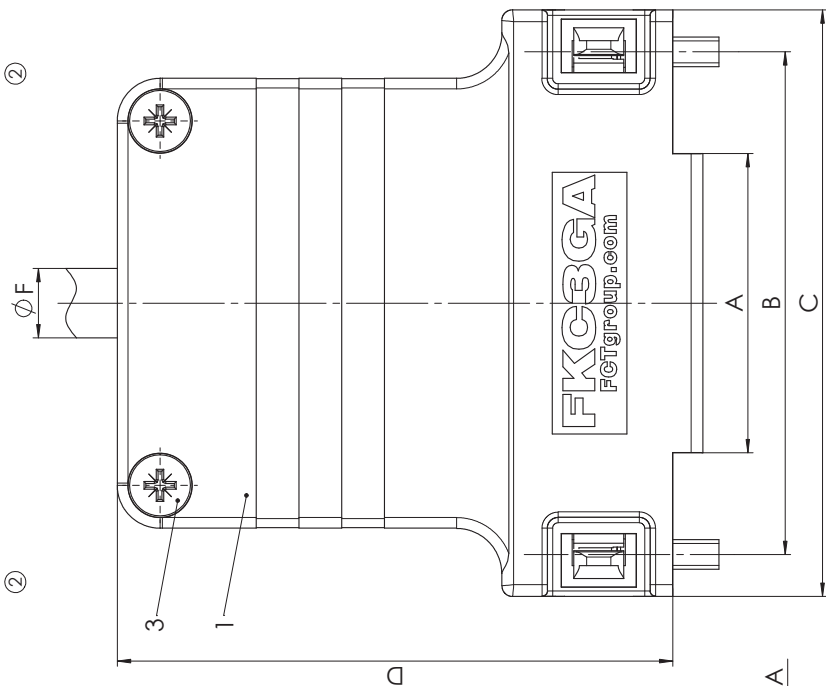
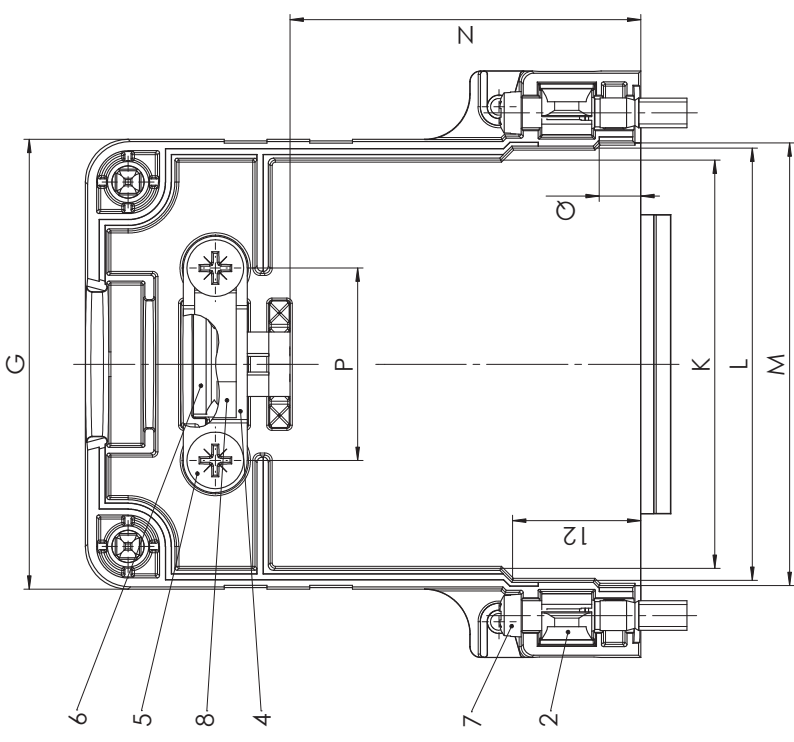


Order-No.	Shell Size / for No. of Contacts	A	B	C	D	E	ϕF min - max	G	H	J	K	L	M	N	P	Q
FKC1GA	1 / 9	10	25	31.8	39.3	16.7	4 - 11	20	41.6	13.2	17	19	20	22.8	14	3.9
FKC2GA	2 / 15	16	33.3	41.2	45	16.2	4 - 11	28.4	47.8	11.6	24.8	26.9	27.9	26.3	18	3.9
FKC3GA	3 / 25	28	47	54.9	52	16.2	4 - 12	42.1	54.8	11.6	38.2	40.5	41.4	32.8	18	3.9
FKC4GA	4 / 37	44.4	63.5	71.4	55	18.9	6 - 13	58.6	57.8	12.1	55	57.2	58.1	38.4	21	3.9
FKC5GA	5 / 50	42	61.1	69	55	19.5	6 - 14	56.2	57.8	15	52.6	54.7	55.7	40.2	21	4.1

view of the hoods without lid



No.	St.	Part	Type Description / Material
8	1	Contact spring	Spring steel
7	2	Locking screw	FV51/5-K1163 4-40 / Steel
6	1	Strain relief	nickel plated
5	1	Cable clamp screw	ABS
4	1	Cable clamp	Steel
3	2	Shell screw	zinc plated
2	2	Catch spring	Steel
1	1	Hood	PEI
			FKC1-5GA / ABS / PC+ABS
			nickel plated
			Surface plating/Colour/Class

REV.	DATE	CH-NO.	DWG.NO.	REPLACEMENT FOR:	PAGES
3	25-09-2012	23275	FKC1-5GA	FKC1-5GAB, ACAD	1
2	02-07-2008	22263			3
1	28-04-2008	22224			1

RoHS compliant

max. torque are 40 Ncm
Hood is snapped together
Part-No. 3, 4, 5, 6 and 8 not mounted

