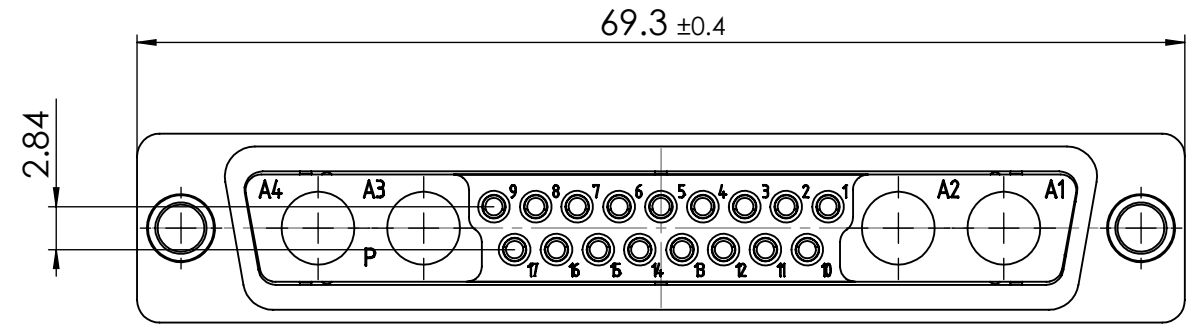
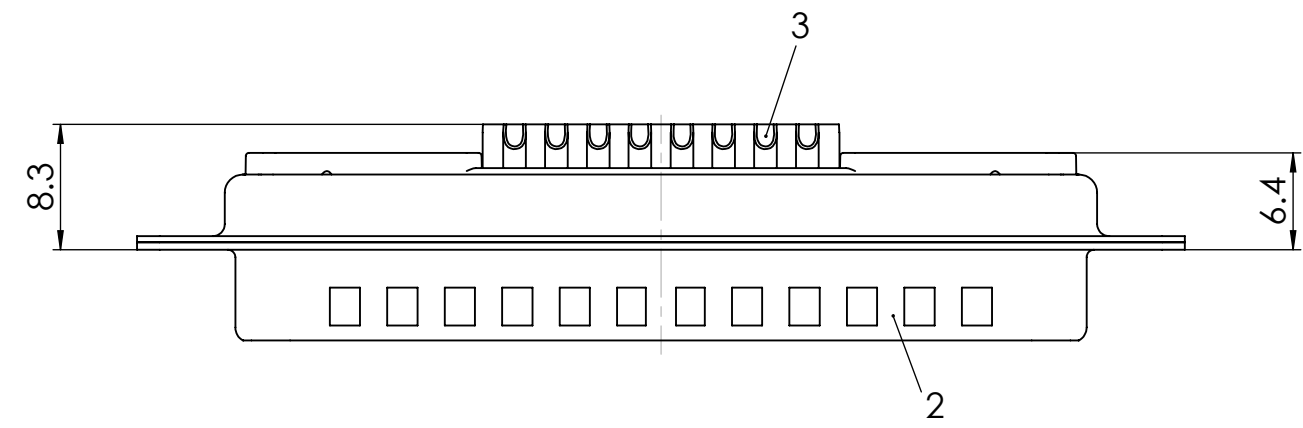
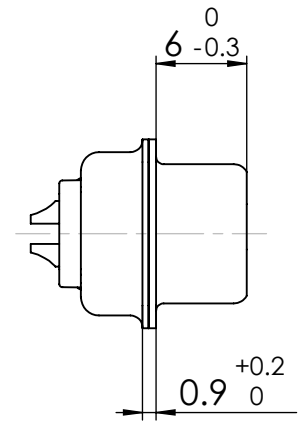
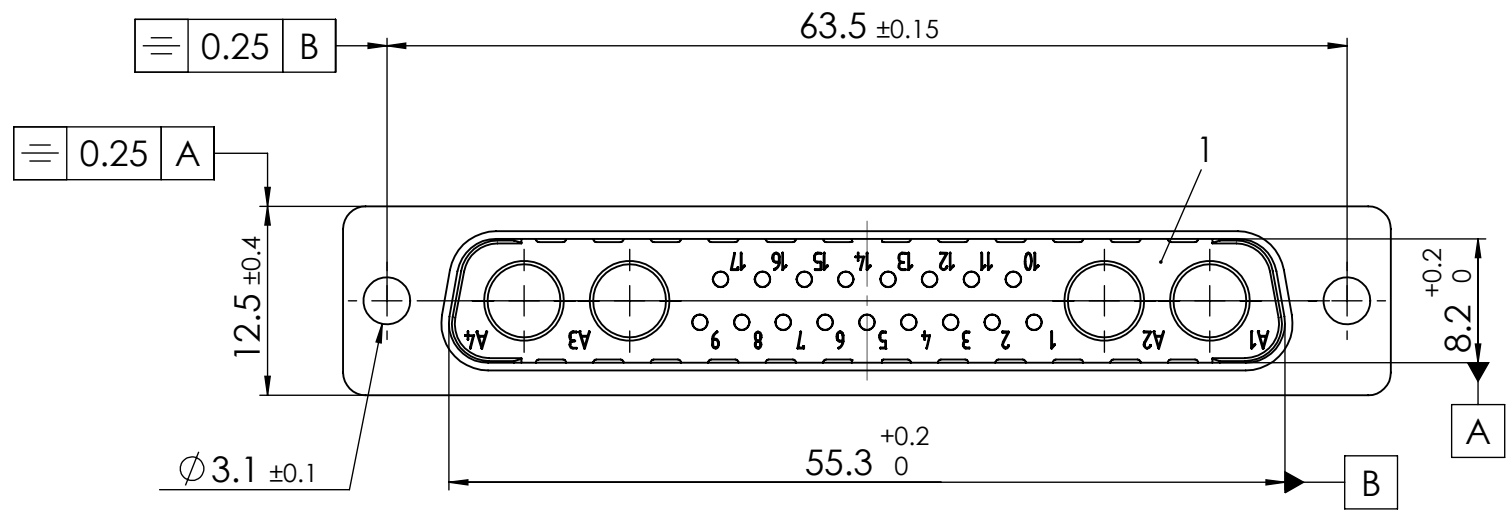


COMMENT: ALL RIGHTS ARE RESERVED BY US FOR THIS DRAWING. WITHOUT OUR PRIOR CONSENT, IT MAY NEITHER BE DUPLICATED NOR MADE AVAILABLE TO A THIRD PARTY. AND IT ALSO MAY NOT BE IMPROPERLY USED BY THE RECEIVER, OR A THIRD PARTY.



RoHS compliant

No.	St.	Part	Type	Description/Material	Surface plating/Colour/Class
3	17	Signal contact	P0 / Brass	AuroPur / AWG 20	
2	1	Shell	Steel	tin plated	
1	1	Insulator	PBT (-55°C - +130°C)	green	

		Measurement without tolerance occ. to ISO 2768-m SCALE 2:1 TITLE D-Sub Mixed-Layout Connector	
		NAME / DATE DRAWN sschref 09-04-2014 CHECKED sschref 09-04-2014	
		DWG.NO. FM21WA4PA-K120 REV. 1	
1	REV.	DATE	CH.-NO.
		ORIGINAL: DIN A3-DRAWING AS A FILE REPLACEMENT FOR:	
		PAGES 1	