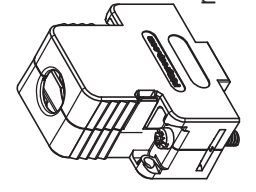
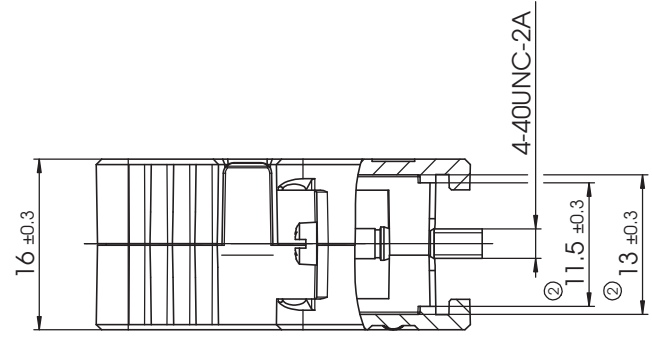
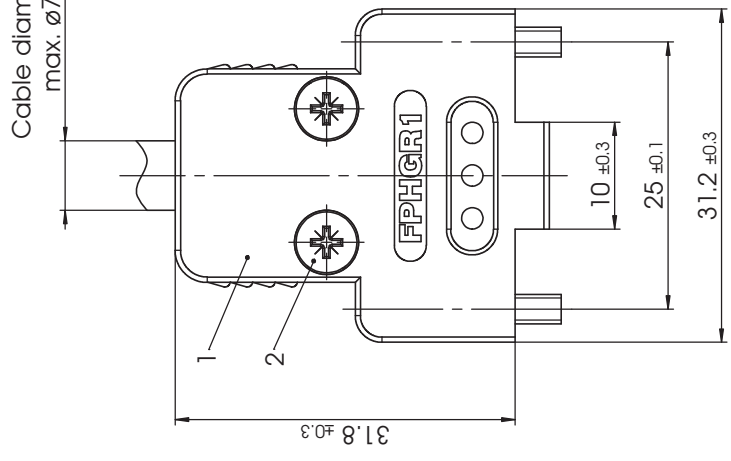
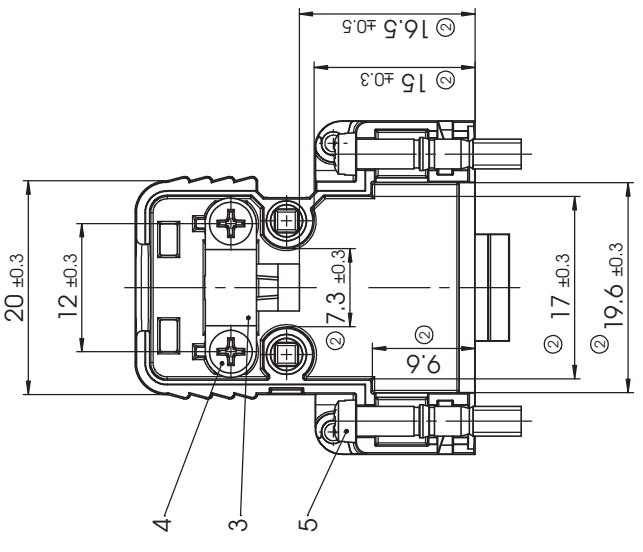


view of the hood without lid

Cable diameter
max. $\varnothing 7$



reverse side
1:1

max. torque are 40 Ncm
Hood is snapped together
Part-No. 2 to 5 not mounted

5	2	Locking screw	FV51/5-K1163 4-40 / Steel	nickel plated
4	2	Cable clamp screw	Steel	zinc plated
3	1	Cable clamp	Steel	tin plated
2	2	Shell screw	Steel	zinc plated
1	1	Hood	FPHGR-1A / Plastic	nickel plated
No.	St.	Part	Type Description / Material	Surface plating / Colour / Class
Measurement without tolerance acc. to ISO 2768-m NAME / DATE: Anke Meyer-Richter / 03.04.2008 DRAWN: Anke Meyer-Richter CHECKED: Anke Meyer-Richter / 11-12-2012 SCALE: 2:1 TITLE: Plastic Hood				
2	10-12-2012	23351	DWG. NO.	
1			FPHGR-1A	
REV.	DATE	CH.-NO.	REPLACEMENT FOR:	
			ORIGINAL: DIN A3-DRAWING AS A FILE	
			FPHGR-1A_A4038_ACAD	
			PAGES: 1	

COMMENT: ALL RIGHTS ARE RESERVED BY US FOR THIS DRAWING. WITHOUT OUR PRIOR CONSENT, IT MAY NOT BE REPRODUCED OR TRANSMITTED IN ANY FORM OR BY ANY MEANS, ELECTRONIC OR MECHANICAL, INCLUDING PHOTOCOPYING, RECORDING, OR BY ANY INFORMATION STORAGE AND RETRIEVAL SYSTEM. ALL RIGHTS ARE RESERVED BY US FOR THIS DRAWING. WITHOUT OUR PRIOR CONSENT, IT MAY NOT BE REPRODUCED OR TRANSMITTED IN ANY FORM OR BY ANY MEANS, ELECTRONIC OR MECHANICAL, INCLUDING PHOTOCOPYING, RECORDING, OR BY ANY INFORMATION STORAGE AND RETRIEVAL SYSTEM.