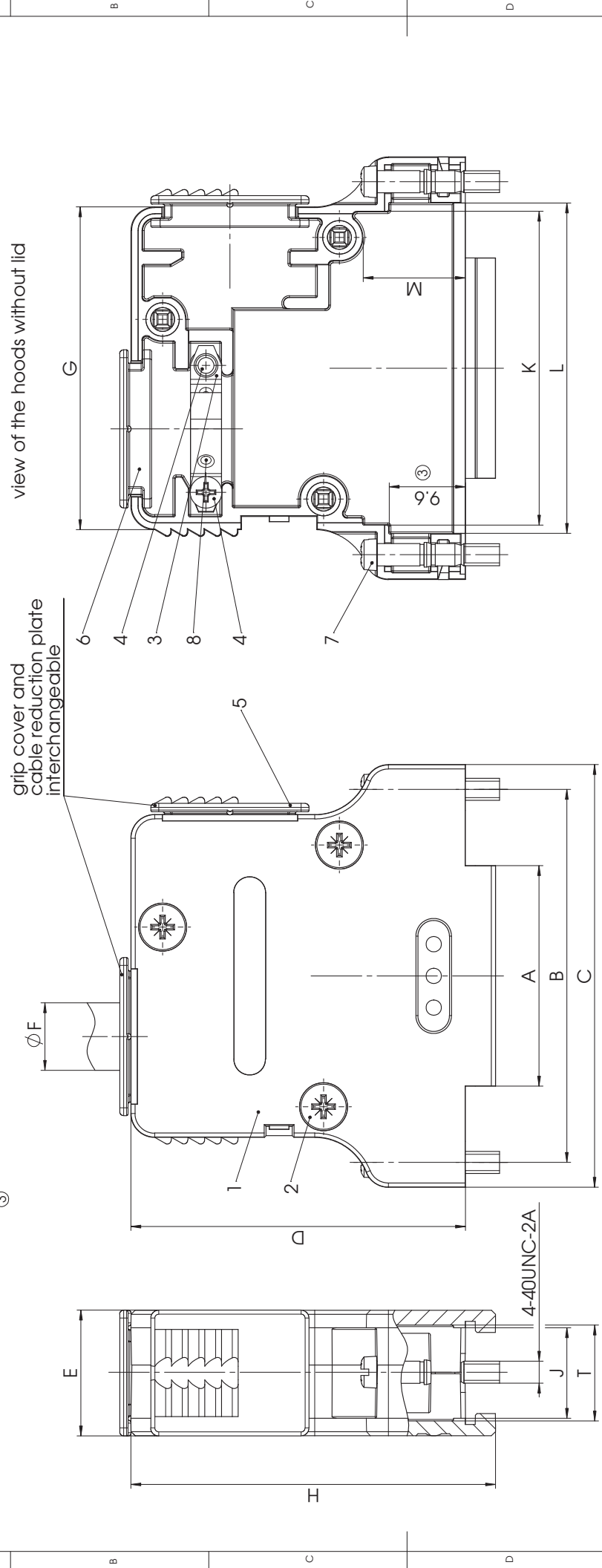


Order-No.	Shell Size / for No. of Contacts	A	B	C	D	E	∅F max.	G	H	J	K	L	M	T	cable outlet
FPHGR-2A	2 / 15	16.1	33.3	39.2	36.9	16	8	28.8	40.7	11.4	25.9	27.8	15	12	0°
FPHGR-3A	3 / 25	27.8	47	53.3	42.2	16	11.2	40.7	46	11.4	39.4	41.6	13	12	0° ≈ 60°
FPHGR-4A	4 / 37	44.4	63.5	69.7	42.2	16	11.2	57.4	46	11.4	54.9	58	12.8	12	0° ≈ 60°
FPHGR-5A	5 / 50	42	61.1	67.3	42.2	18.5	14	54.2	46	14	53.2	55.6	13	14.4	0° ≈ 60°



No.	St.	Part	Type Description/Material
8	1	Contact spring	Spring steel
7	2	Locking screw	FV51/5-K1163 4-40 / Steel
6	1	Cable reduction plate	Plastic
5	1	Grip cover	Plastic
4	2	Cable clamp screw	Steel
3	2	Cable clamp	Steel
2	2	Shell screw	Steel
1	1	Hood	FPHGR-2-5A / Plastic

Material	Surface plating/Colour/Class
blank	nickel plated
nickel plated	nickel plated
nickel plated	nickel plated
zinc plated	zinc plated
zinc plated	zinc plated
zinc plated	nickel plated

Measurement without tolerance acc. to ISO 2768-m	SCALE	TITLE
NAME / DATE	2.1	
Gabriele Wagner		
16.06.2008		
Checked		
ANKE MEYER-RICHTER		
25.01.2013		
23377		
01-12-2011		
23130		
17-02-2009		
22376		

REV.	DATE	CH.-NO.	ORIGINAL: DIN A3-DRAWING AS A FILE
4	25-01-2013	23377	
3	01-12-2011	23130	
2	17-02-2009	22376	

REV.	DWG.NO.	REPLACEMENT FOR:	PAGES
4	FPHGR-2-5A	FPHGR-1.5Ab_ACAD	1

max. torque are 40 Ncm
Hood is snapped together
Part-No. 2 to 8 not mounted
FPHGR-2A with 2 shell screws (Part-No. 2)

reverse side
1:1