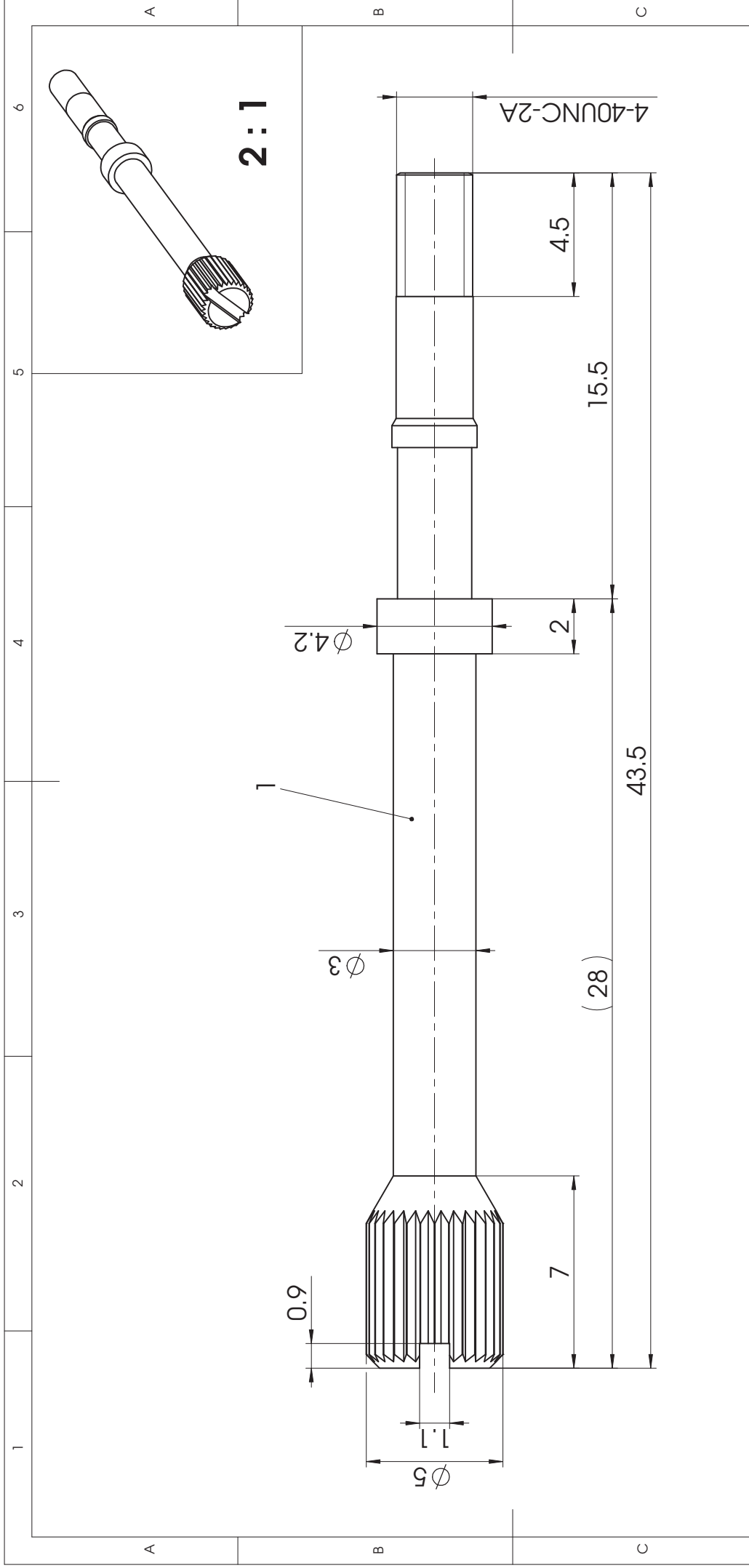


COMMENT:
 ALL RIGHTS ARE RESERVED BY US FOR THIS DRAWING. WITHOUT OUR PRIOR CONSENT,
 IT MAY NEITHER BE DUBLICATED NOR MADE A VALABLE TO A THIRD PARTY,
 AND IT ALSO MAY NOT BE IMPROPERLY USED BY TE RECEIVER, OR A THIRD PARTY.



1	1	Knurled thumb screw	FRS1/5 4-40x28 / Brass	nickel plated
No.	St.	Part	Type Description / Material	Surface plating / Colour / Class
			Measurement without tolerance occ. to ISO 2768-m	SCALE 5:1
			NAME / DATE	
			DRAWN Anke Meyer-Richter	
			CHECKED BWittek	
			18-09-2009	
			21-09-2009	
			TITLE	
			Knurled thumb screw	
1			DWG. NO.	FRS1/5
REV.	DATE	CH.-NO.	REPLACEMENT FOR:	PAGES
1	2		ORIGINAL: DIN A4-DRAWING AS A FILE	1