

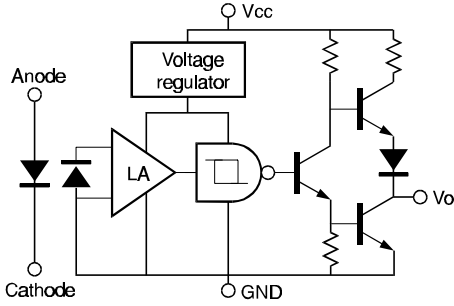
HOA698X/699X

Transmissive Optoschmitt Sensor

SCHEMATIC FOR HOA698X/699X

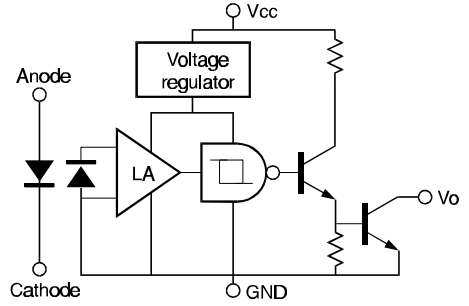
sch_031.cdr

HOA69X0 BUFFER, TOTEM-POLE



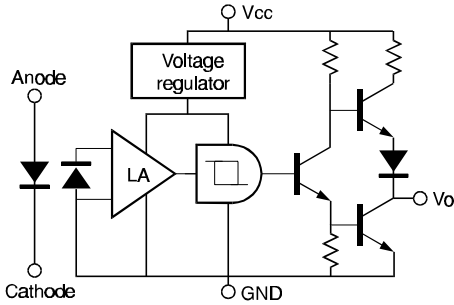
sch_033.cdr

HOA69X1 BUFFER, OPEN-COLLECTOR



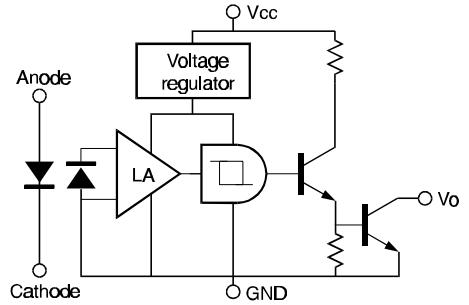
sch_032.cdr

HOA69X2 INVERTER, TOTEM-POLE



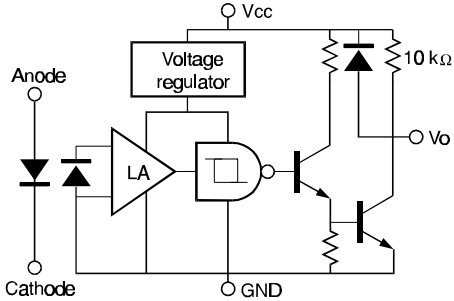
sch_034.cdr

HOA69X3 INVERTER, OPEN-COLLECTOR



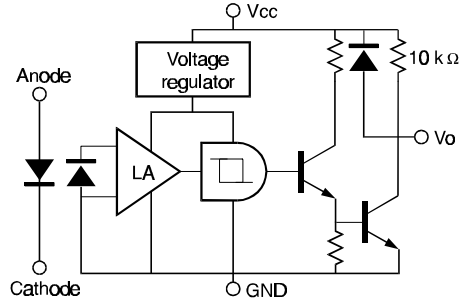
sch_035.cdr

HOA69X4 BUFFER, 10 kΩ PULL-UP



sch_036.cdr

HOA69X5 INVERTER, 10 kΩ PULL-UP



HOA698X/699X

Transmissive Optoschmitt Sensor

SWITCHING WAVEFORM FOR BUFFERS

cir_013.cdr

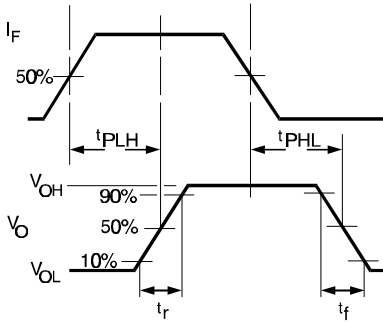
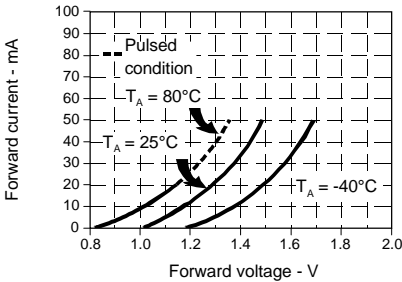


Fig. 1 IRED Forward Bias Characteristics

gra_073.ds4



SWITCHING WAVEFORM FOR INVERTERS

cir_011.cdr

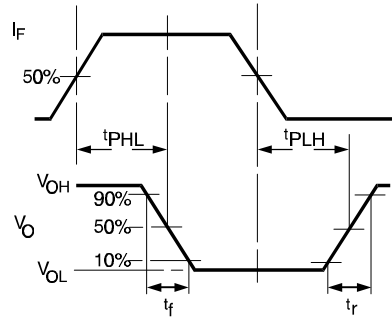
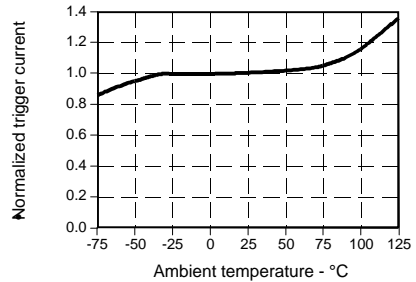


Fig. 2 IRED Trigger Current vs Temperature

gra_098.ds4



All Performance Curves Show Typical Values

PART NUMBER GUIDE

HOA69XX-XXX

Housing Material

- 8 = Polysulfone, IR transmissive
- 9 = Polysulfone, opaque

Output Configuration

- 0 = Totem-pole, buffer
- 1 = Open-collector, buffer
- 2 = Totem-pole, Inverter
- 3 = Open-collector, inverter
- 4 = 10 kΩ pull-up, buffer
- 5 = 10 kΩ pull-up, Inverter

Aperture Width In Front Of Detector

- 1 = 0.010 in. (0.25 mm)
 - 5 = 0.050 in. (1.27 mm)
- Aperture length is 0.060 in. (1.52 mm)

Aperture Width In Front Of IRED

- 5 = 0.050 in. (1.27 mm)
- Aperture length is 0.060 in. (1.52 mm)

Mounting Configuration

- L = Single mounting tab, emitter side
- N = No mounting tabs
- P = Single mounting tab, detector side
- T = Two mounting tabs