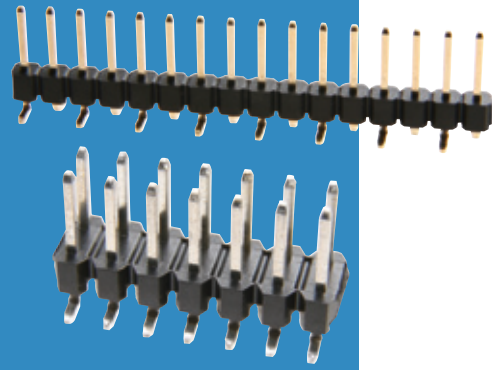


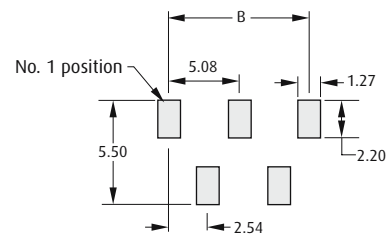
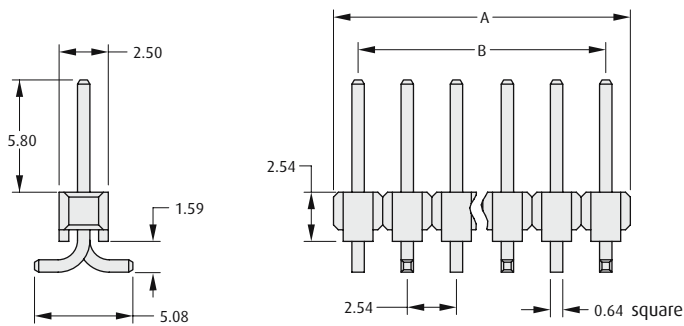
M20 Connectors

Male Vertical Surface Mount

- For alternative pin lengths, see pin header variants on page 152.
- Suitable for use with female connectors and jumper sockets shown on pages 140 to 145.



SINGLE ROW

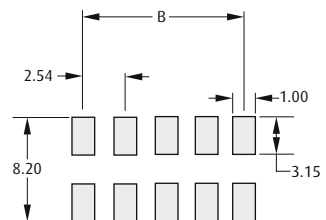
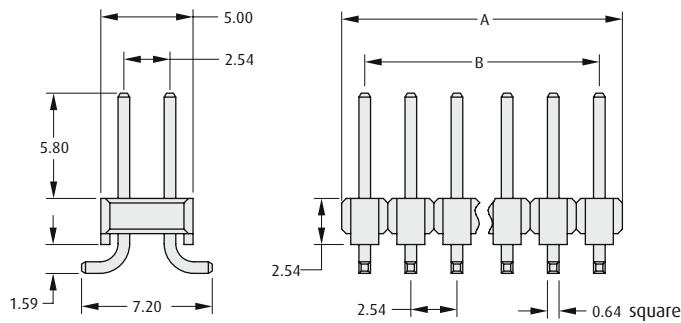


Recommended PC Board Pattern

CALCULATION

A	$2.54 \times \text{No. of contacts per row}$
B	$2.54 \times (\text{No. of contacts per row} - 1)$

DOUBLE ROW



Recommended PC Board Pattern

HOW TO ORDER

M20 - 87 X XX XX X

SERIES CODE

TAIL SPACING

6	Double Row
7	Single Row

NO. OF CONTACTS PER ROW

02 to 40

PACKAGING

Blank	Loose
P	Pick & Place Cap, Tube
R	Tape & Reeled

FINISH

42	Gold + Tin
46	Tin

All dimensions in mm.

2.54mm (.100") PITCH