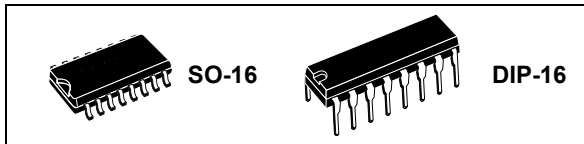


## High voltage high/low-side driver

Datasheet - production data



### Features

- High voltage rail up to 600 V
- $dV/dt$  immunity  $\pm 50$  V/nsec in full temperature range
- Driver current capability:  
290 mA source, 430 mA sink
- Switching times 75/35 nsec rise/fall with 1 nF load
- 3.3 V, 5 V TTL/CMOS inputs with hysteresis
- Integrated bootstrap diode
- Operational amplifier for advanced current sensing
- Comparator for fast fault protection
- Smart shutdown function
- Adjustable deadtime
- Interlocking function
- Compact and simplified layout
- Bill of material reduction

### Applications

- Home appliances
- Motor drivers
  - DC, AC, PMDC and PMAC motors
  - FOC and sensorless BEMF detection systems
- Industrial applications and drives
- Induction heating
- HVAC
- Factory automation
- Power supply systems

### Description

The L6390 is a full featured high voltage device manufactured with the BCD™ “offline” technology. It is a single-chip half-bridge gate driver for N-channel power MOSFETs or IGBTs. The high-side (floating) section is able to work with voltage rail up to 600 V.

Both device outputs can sink and source 430 mA and 290 mA respectively. Prevention from cross conduction is ensured by interlocking and programmable deadtime functions.

The device has dedicated input pins for each output and a shutdown pin. The logic inputs are CMOS/TTL compatible down to 3.3 V for easy interfacing with control devices. Matched delays between low-side and high-side sections guarantee no cycle distortion and allow high frequency operation.

The L6390 embeds an operational amplifier suitable for advanced current sensing in applications such as field oriented motor control or for sensorless BEMF detection. A comparator featuring advanced smartSD function is also integrated in the device, ensuring fast and effective protection against fault events like overcurrent, overtemperature, etc.

The L6390 device features also UVLO protection on both the lower and upper driving sections, preventing the power switches from operating in low efficiency or dangerous conditions.

The integrated bootstrap diode as well as all of the integrated features of this IC make the application PCB design easier, more compact and simple thus reducing the overall bill of material.

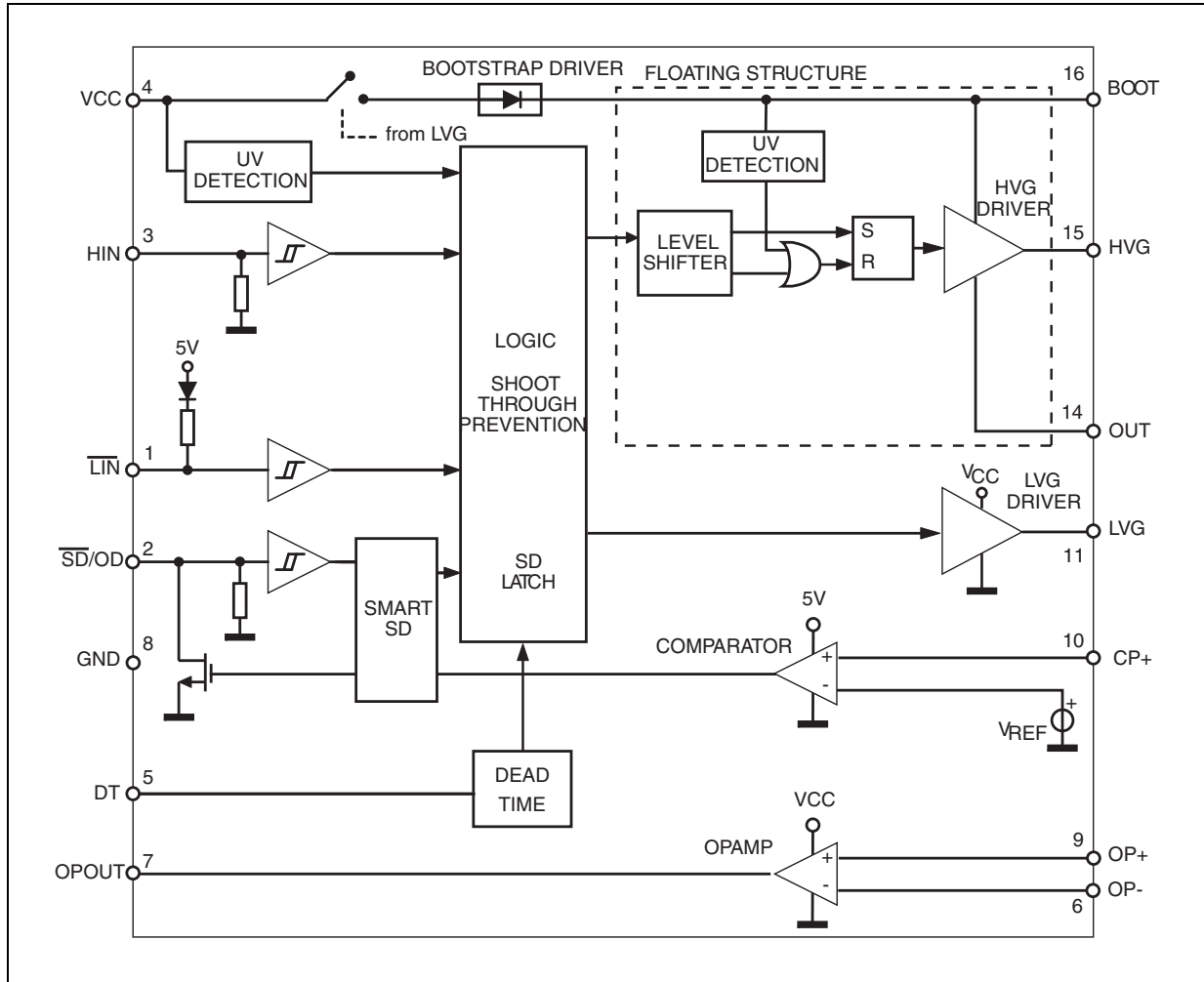
The device is available in a DIP-16 tube and SO-16 tube, and tape and reel packaging options.

# Contents

<b>1</b>	<b>Block diagram</b> .....	<b>3</b>
<b>2</b>	<b>Pin connection</b> .....	<b>4</b>
<b>3</b>	<b>Truth table</b> .....	<b>5</b>
<b>4</b>	<b>Electrical data</b> .....	<b>6</b>
	4.1 Absolute maximum ratings .....	6
	4.2 Thermal data .....	6
	4.3 Recommended operating conditions .....	7
<b>5</b>	<b>Electrical characteristics</b> .....	<b>8</b>
	5.1 AC operation .....	8
	5.2 DC operation .....	10
<b>6</b>	<b>Waveforms definition</b> .....	<b>13</b>
<b>7</b>	<b>Smart shutdown function</b> .....	<b>14</b>
<b>8</b>	<b>Typical application diagram</b> .....	<b>17</b>
<b>9</b>	<b>Bootstrap driver</b> .....	<b>18</b>
	C <sub>BOOT</sub> selection and charging .....	18
<b>10</b>	<b>Package information</b> .....	<b>20</b>
<b>11</b>	<b>Order codes</b> .....	<b>23</b>
<b>12</b>	<b>Revision history</b> .....	<b>24</b>

# 1 Block diagram

Figure 1. Block diagram



## 2 Pin connection

Figure 2. Pin connection (top view)

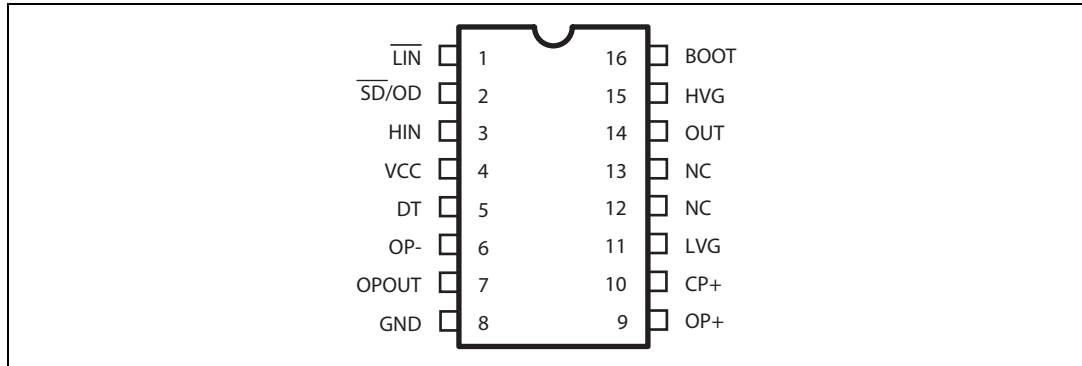


Table 1. Pin description

Pin n #	Pin name	Type	Function
1	LIN	I	Low-side driver logic input (active low)
2	SD/OD <sup>(1)</sup>	I/O	Shutdown logic input (active low)/open drain (comparator output)
3	HIN	I	High-side driver logic input (active high)
4	VCC	P	Lower section supply voltage
5	DT	I	Deadtime setting
6	OP-	I	Op amp inverting input
7	OPOUT	O	Op amp output
8	GND	P	Ground
9	OP+	I	Op amp non-inverting input
10	CP+	I	Comparator input
11	LVG <sup>(1)</sup>	O	Low-side driver output
12, 13	NC		Not connected
14	OUT	P	High-side (floating) common voltage
15	HVG <sup>(1)</sup>	O	High-side driver output
16	BOOT	P	Bootstrap supply voltage

1. The circuit provides less than 1 V on the LVG and HVG pins (at I<sub>sink</sub> = 10 mA), with V<sub>CC</sub> > 3 V. This allows the omission of the “bleeder” resistor connected between the gate and the source of the external MOSFET normally used to hold the pin low; the gate driver assures low impedance also in SD condition.

### 3 Truth table

Table 2. Truth table

Input			Output	
$\overline{SD}$	$\overline{LIN}$	HIN	LVG	HVG
L	X <sup>(1)</sup>	X <sup>(1)</sup>	L	L
H	H	L	L	L
H	L	H	L	L
H	L	L	H	L
H	H	H	L	H

1. X: don't care.

## 4 Electrical data

### 4.1 Absolute maximum ratings

Table 3. Absolute maximum ratings

Symbol	Parameter	Value		Unit
		Min.	Max.	
$V_{cc}$	Supply voltage	- 0.3	21	V
$V_{out}$	Output voltage	$V_{boot} - 21$	$V_{boot} + 0.3$	V
$V_{boot}$	Bootstrap voltage	- 0.3	620	V
$V_{hvg}$	High-side gate output voltage	$V_{out} - 0.3$	$V_{boot} + 0.3$	V
$V_{lvg}$	Low-side gate output voltage	- 0.3	$V_{cc} + 0.3$	V
$V_{op+}$	Op amp non-inverting input	- 0.3	$V_{cc} + 0.3$	V
$V_{op-}$	Op amp inverting input	- 0.3	$V_{cc} + 0.3$	V
$V_{cp+}$	Comparator input voltage	- 0.3	$V_{cc} + 0.3$	V
$V_i$	Logic input voltage	- 0.3	15	V
$V_{od}$	Open drain voltage	- 0.3	15	V
$dV_{out}/dt$	Allowed output slew rate		50	V/ns
$P_{tot}$	Total power dissipation ( $T_A = 25\text{ °C}$ )		800	mW
$T_J$	Junction temperature		150	°C
$T_{stg}$	Storage temperature	-50	150	°C

### 4.2 Thermal data

Table 4. Thermal data

Symbol	Parameter	SO-16	DIP-16	Unit
$R_{th(JA)}$	Thermal resistance junction to ambient	155	100	°C/W

### 4.3 Recommended operating conditions

Table 5. Recommended operating conditions

Symbol	Pin	Parameter	Test condition	Min.	Max.	Unit
$V_{CC}$	4	Supply voltage		12.5	20	V
$V_{BO}^{(1)}$	16 - 14	Floating supply voltage		12.4	20	V
$V_{out}$	14	DC output voltage		- 9 <sup>(2)</sup>	580	V
$f_{sw}$		Switching frequency	HVG, LVG load $C_L = 1$ nF		800	kHz
$T_J$		Junction temperature		-40	125	°C

1.  $V_{BO} = V_{boot} - V_{out}$ .

2. LVG off.  $V_{CC} = 12.5$  V. Logic is operational if  $V_{boot} > 5$  V. Refer to the AN2738 for more details.

## 5 Electrical characteristics

### 5.1 AC operation

Table 6. AC operation electrical characteristics ( $V_{CC} = 15\text{ V}$ ;  $T_J = +25\text{ °C}$ )

Symbol	Pin	Parameter	Test condition	Min.	Typ.	Max.	Unit
$t_{on}$	1 vs. 11	High/low-side driver turn-on propagation delay	$V_{out} = 0\text{ V}$ $V_{boot} = V_{CC}$ $C_L = 1\text{ nF}$ $V_i = 0\text{ to }3.3\text{ V}$ See <a href="#">Figure 3</a> .	50	125	200	ns
$t_{off}$	3 vs. 15	High/low-side driver turn-off propagation delay		50	125	200	ns
$t_{sd}$	2 vs. 11, 15	Shutdown to high/low-side driver propagation delay		50	125	200	ns
$t_{isd}$		Comparator triggering to high/low-side driver turn-off propagation delay	Measured applying a voltage step from 0 V to 3.3 V to pin CP+.	50	200	250	ns
MT		Delay matching, HS and LS turn-on/off			30	ns	
DT	5	Deadtime setting range <sup>(1)</sup>	$R_{DT} = 0, C_L = 1\text{ nF}$	0.1	0.18	0.25	$\mu\text{s}$
			$R_{DT} = 37\text{ k}\Omega, C_L = 1\text{ nF}, C_{DT} = 100\text{ nF}$	0.48	0.6	0.72	$\mu\text{s}$
			$R_{DT} = 136\text{ k}\Omega, C_L = 1\text{ nF}, C_{DT} = 100\text{ nF}$	1.35	1.6	1.85	$\mu\text{s}$
			$R_{DT} = 260\text{ k}\Omega, C_L = 1\text{ nF}, C_{DT} = 100\text{ nF}$	2.6	3.0	3.4	$\mu\text{s}$
MDT		Matching deadtime <sup>(2)</sup>	$R_{DT} = 0, C_L = 1\text{ nF}$			80	ns
			$R_{DT} = 37\text{ k}\Omega, C_L = 1\text{ nF}, C_{DT} = 100\text{ nF}$			120	ns
			$R_{DT} = 136\text{ k}\Omega, C_L = 1\text{ nF}, C_{DT} = 100\text{ nF}$			250	ns
			$R_{DT} = 260\text{ k}\Omega, C_L = 1\text{ nF}, C_{DT} = 100\text{ nF}$			400	ns
$t_r$	11, 15	Rise time	$C_L = 1\text{ nF}$		75	120	ns
$t_f$		Fall time	$C_L = 1\text{ nF}$		35	70	ns

1. See [Figure 4](#).

2.  $MDT = |DT_{LH} - DT_{HL}|$  see [Figure 5 on page 13](#).



Figure 3. Timing

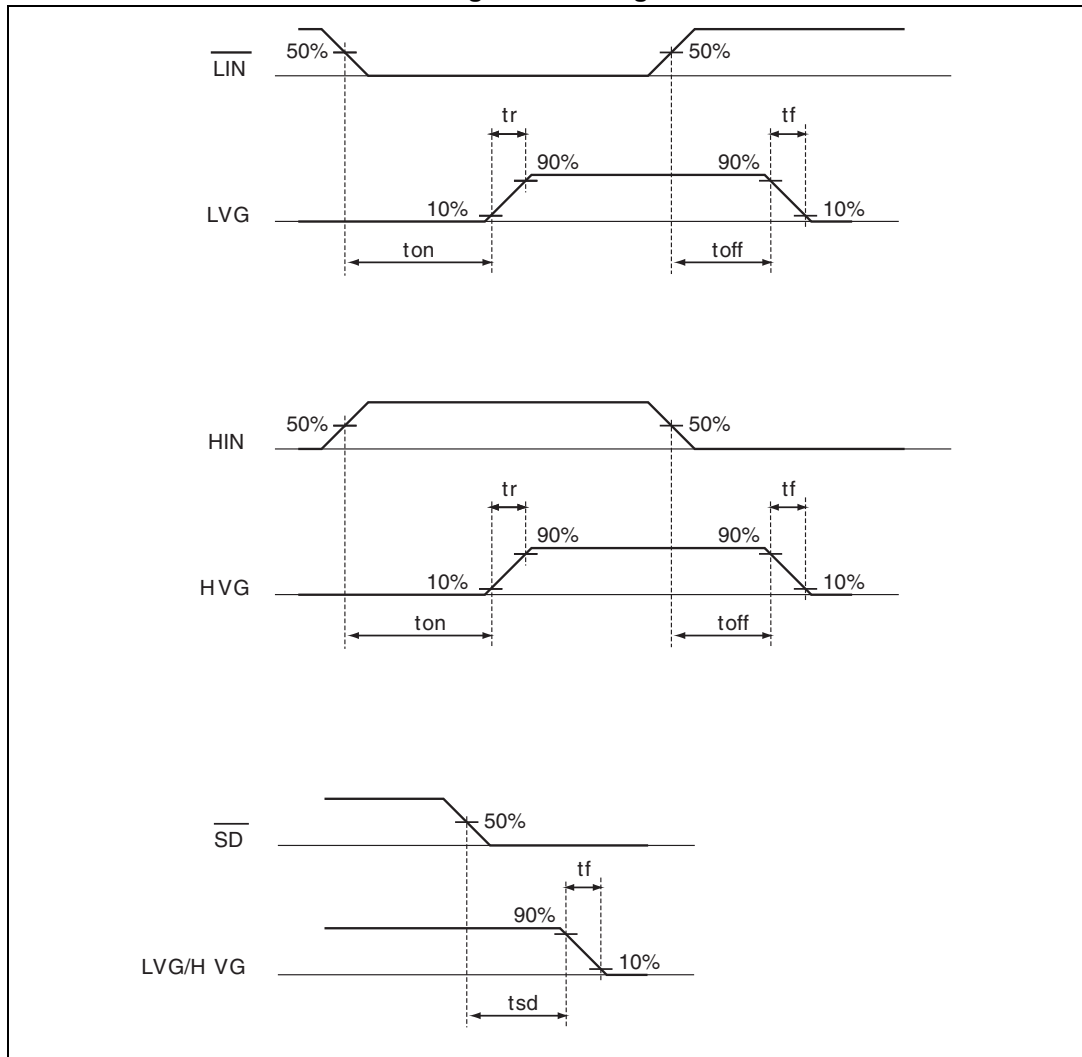
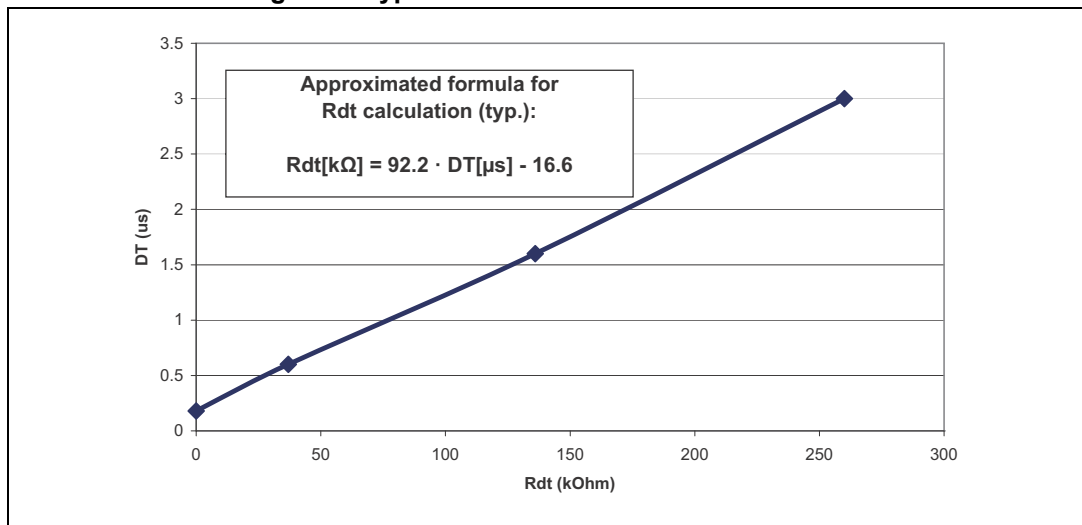


Figure 4. Typical deadtime vs. DT resistor value



## 5.2 DC operation

Table 7. DC operation electrical characteristics ( $V_{CC} = 15\text{ V}$ ;  $T_J = +25\text{ °C}$ )

Symbol	Pin	Parameter	Test condition	Min.	Typ.	Max.	Unit
<b>Low supply voltage section</b>							
$V_{CC\_hys}$	4	$V_{CC}$ UV hysteresis		1200	1500	1800	mV
$V_{CC\_thON}$		$V_{CC}$ UV turn-ON threshold		11.5	12	12.5	V
$V_{CC\_thOFF}$		$V_{CC}$ UV turn-OFF threshold		10	10.5	11	V
$I_{qccu}$		Undervoltage quiescent supply current	$V_{CC} = 10\text{ V}$ $\overline{SD} = 5\text{ V}$ ; $\overline{LIN} = 5\text{ V}$ ; HIN = GND; $R_{DT} = 0\ \Omega$ ; CP+ = OP+ = GND; OP- = 5 V	90	120	150	$\mu\text{A}$
$I_{qcc}$		Quiescent current	$V_{CC} = 15\text{ V}$ $\overline{SD} = 5\text{ V}$ ; $\overline{LIN} = 5\text{ V}$ ; HIN = GND; $R_{DT} = 0\ \Omega$ ; CP+ = OP+ = GND; OP- = 5 V	300	720	1000	$\mu\text{A}$
$V_{ref}$		Internal reference voltage		500	540	580	mV
<b>Bootstrapped supply voltage section<sup>(1)</sup></b>							
$V_{BO\_hys}$	16	$V_{BO}$ UV hysteresis		1200	1500	1800	mV
$V_{BO\_thON}$		$V_{BO}$ UV turn-ON threshold		11.1	11.5	12.1	V
$V_{BO\_thOFF}$		$V_{BO}$ UV turn-OFF threshold		9.8	10	10.6	V
$I_{QBOU}$		Undervoltage $V_{BO}$ quiescent current	$V_{BO} = 9\text{ V}$ $\overline{SD} = 5\text{ V}$ ; $\overline{LIN}$ and HIN = 5 V; $R_{DT} = 0\ \Omega$ ; CP+ = OP+ = GND; OP- = 5 V	30	70	110	$\mu\text{A}$
$I_{QBO}$		$V_{BO}$ quiescent current	$V_{BO} = 15\text{ V}$ $\overline{SD} = 5\text{ V}$ ; $\overline{LIN}$ and HIN = 5 V; $R_{DT} = 0\ \Omega$ ; CP+ = OP+ = GND; OP- = 5 V	30	150	240	$\mu\text{A}$
$I_{LK}$		High voltage leakage current	$V_{hvg} = V_{out} = V_{boot} = 600\text{ V}$			10	$\mu\text{A}$
$R_{DS(on)}$		Bootstrap driver on-resistance <sup>(2)</sup>	LVG ON		120		$\Omega$

Table 7. DC operation electrical characteristics ( $V_{CC} = 15\text{ V}$ ;  $T_J = +25\text{ }^\circ\text{C}$ ) (continued)

Symbol	Pin	Parameter	Test condition	Min.	Typ.	Max.	Unit
<b>Driving buffers section</b>							
$I_{so}$	11, 15	High/low-side source short-circuit current	$V_{IN} = V_{ih} (t_p < 10\ \mu\text{s})$	200	290		mA
$I_{si}$		High/low-side sink short-circuit current	$V_{IN} = V_{il} (t_p < 10\ \mu\text{s})$	250	430		mA
<b>Logic inputs</b>							
$V_{il}$	1, 2, 3	Low level logic threshold voltage		0.8		1.1	V
$V_{ih}$		High level logic threshold voltage		1.9		2.25	V
$V_{il\_S}$	1, 3	Single input voltage	$\overline{LIN}$ and HIN connected together and floating			0.8	V
$I_{HINh}$	3	HIN logic "1" input bias current	HIN = 15 V	110	175	260	$\mu\text{A}$
$I_{HINl}$		HIN logic "0" input bias current	HIN = 0 V			1	$\mu\text{A}$
$I_{LINl}$	1	$\overline{LIN}$ logic "0" input bias current	$\overline{LIN} = 0\text{ V}$	3	6	20	$\mu\text{A}$
$I_{LINh}$		$\overline{LIN}$ logic "1" input bias current	$\overline{LIN} = 15\text{ V}$			1	$\mu\text{A}$
$I_{SDh}$	2	$\overline{SD}$ logic "1" input bias current	$\overline{SD} = 15\text{ V}$	10	40	100	$\mu\text{A}$
$I_{SDl}$		$\overline{SD}$ logic "0" input bias current	$\overline{SD} = 0\text{ V}$			1	$\mu\text{A}$

1.  $V_{BO} = V_{boot} - V_{out}$ .

2.  $R_{DSON}$  is tested in the following way:  $R_{DSON} = [(V_{CC} - V_{CBOOT1}) - (V_{CC} - V_{CBOOT2})] / [I_1(V_{CC}, V_{CBOOT1}) - I_2(V_{CC}, V_{CBOOT2})]$  where  $I_1$  is the pin 16 current when  $V_{CBOOT} = V_{CBOOT1}$ ,  $I_2$  when  $V_{CBOOT} = V_{CBOOT2}$ .

**Table 8. Op amp characteristics<sup>(1)</sup> ( $V_{CC} = 15\text{ V}$ ,  $T_J = +25\text{ °C}$ )**

Symbol	Pin	Parameter	Test condition	Min.	Typ.	Max.	Unit
$V_{io}$	6, 9	Input offset voltage	$V_{ic} = 0\text{ V}$ , $V_o = 7.5\text{ V}$			6	mV
$I_{io}$		Input offset current	$V_{ic} = 0\text{ V}$ , $V_o = 7.5\text{ V}$		4	40	nA
$I_{ib}$		Input bias current <sup>(2)</sup>			100	200	nA
$V_{icm}$		Input common mode voltage range		0		$V_{CC}-4$	V
$V_{OPOUT}$	7	Output voltage swing	OPOUT = OP-; no load	0.07		$V_{CC}-4$	V
$I_o$		Output short-circuit current	Source, $V_{id} = +1$ ; $V_o = 0\text{ V}$	16	30		mA
			Sink, $V_{id} = -1$ ; $V_o = V_{CC}$	50	80		mA
SR		Slew rate	$V_i = 1 \div 4\text{ V}$ ; $C_L = 100\text{ pF}$ ; unity gain	2.5	3.8		V/ $\mu$ s
GBWP		Gain bandwidth product	$V_o = 7.5\text{ V}$	8	12		MHz
$A_{vd}$		Large signal voltage gain	$R_L = 2\text{ k}\Omega$	70	85		dB
SVR		Supply voltage rejection ratio	vs. $V_{CC}$	60	75		dB
CMRR		Common mode rejection ratio		55	70		dB

1. The operational amplifier is disabled when  $V_{CC}$  is in UVLO condition.
2. The direction of the input current is out of the IC.

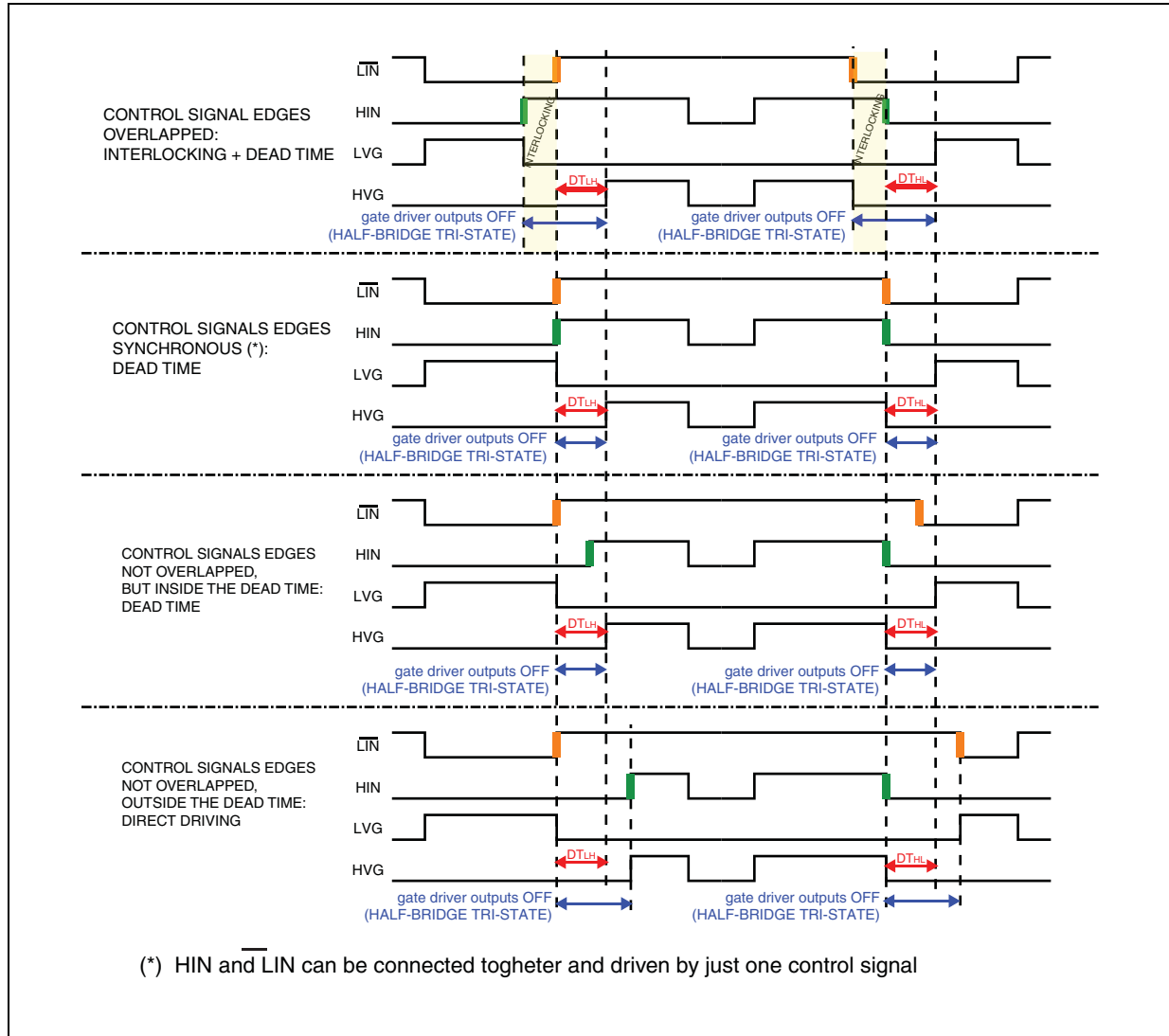
**Table 9. Sense comparator characteristics<sup>(1)</sup> ( $V_{CC} = 15\text{ V}$ ,  $T_J = +25\text{ °C}$ )**

Symbol	Pin	Parameter	Test condition	Min.	Typ.	Max.	Unit
$I_{ib}$	10	Input bias current	$V_{CP+} = 1\text{ V}$			1	$\mu$ A
$V_{ol}$	2	Open drain low level output voltage	$I_{od} = -3\text{ mA}$			0.5	V
$t_{d\_comp}$		Comparator delay	$\overline{SD}/OD$ pulled to 5 V through 100 k $\Omega$ resistor		90	130	ns
SR	2	Slew rate	$C_L = 180\text{ pF}$ ; $R_{pu} = 5\text{ k}\Omega$		60		V/ $\mu$ s

1. The comparator is disabled when  $V_{CC}$  is in UVLO condition.

# 6 Waveforms definition

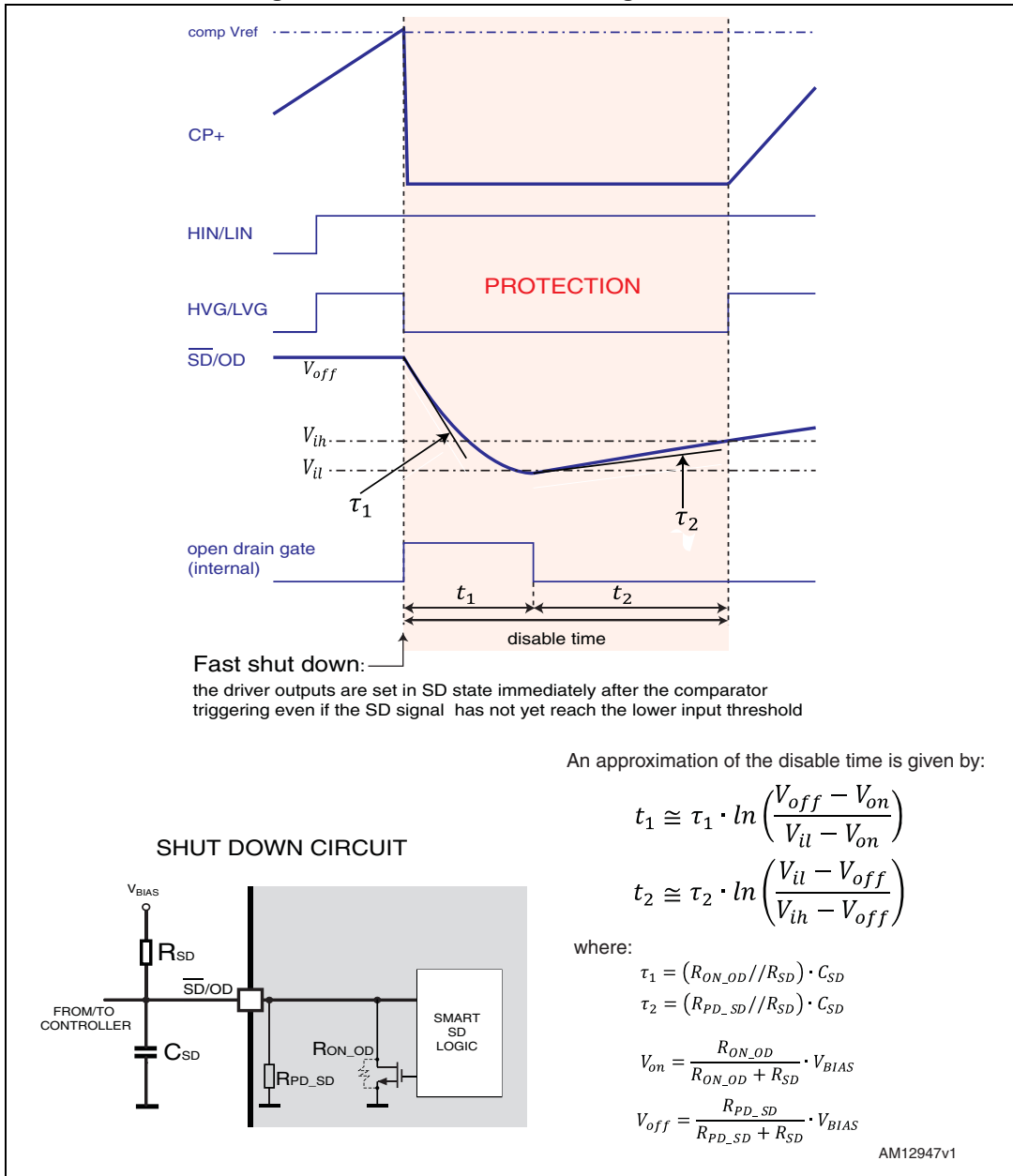
Figure 5. Deadtime and interlocking waveforms definition



# 7 Smart shutdown function

The L6390 device integrates a comparator committed to the fault sensing function. The comparator has an internal voltage reference  $V_{ref}$  connected to the inverting input, while the non-inverting input is available on the pin 10. The comparator input can be connected to an external shunt resistor in order to implement a simple overcurrent detection function. The output signal of the comparator is fed to an integrated MOSFET with the open drain output available on the pin 2, shared with the SD input. When the comparator triggers, the device is set in shutdown state and both its outputs are set to low level leaving the half-bridge in tristate.

Figure 6. Smart shutdown timing waveforms

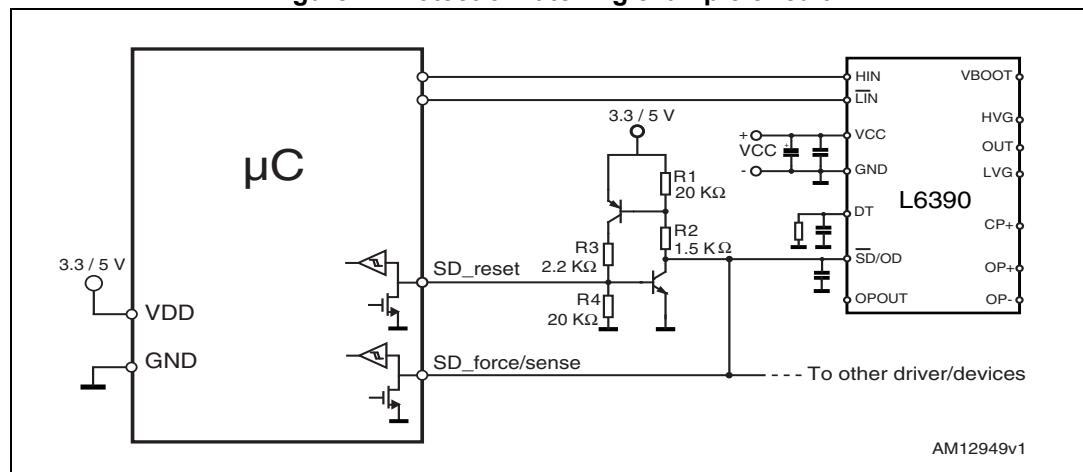


In common overcurrent protection architectures the comparator output is usually connected to the SD input and an RC network is connected to this SD/OD line in order to provide a monostable circuit, which implements a protection time that follows the fault condition. Differently from the common fault detection systems, the L6390 smart shutdown architecture allows immediate turn-off of the outputs of the gate driver in the case of fault, by minimizing the propagation delay between the fault detection event and the actual output switch-off. In fact, the time delay between the fault detection and the output turn-off is no longer dependent on the value of the external RC network connected to the SD/OD pin. In the smart shutdown circuitry the fault signal has a preferential path which directly switches off the outputs after the comparator triggering. At the same time the internal logic turns on the open drain output and holds it on until the SD voltage goes below the SD logic input lower threshold. When such threshold is reached, the open drain output is turned off, allowing the external pull-up to recharge the capacitor. The driver outputs restart following the input pins as soon as the voltage at the SD/OD pin reaches the higher threshold of the SD logic input. The smart shutdown system provides the possibility to increase the time constant of the external RC network (that determines the disable time after the fault event) up to very large values without increasing the delay time of the protection.

Any external signal provided to the SD pin is not latched and can be used as control signal in order to perform, for instance, PWM chopping through this pin. In fact when a PWM signal is applied to the SD input and the logic inputs of the gate driver are stable, the outputs switch from the low level to the state defined by the logic inputs and vice versa.

In some applications it may be useful to latch the driver in the shutdown condition for an arbitrary time, until the controller decides to reset it to normal operation. This may, for example, be achieved with a circuit similar to the one shown in [Figure 7](#). When the open drain starts pulling down the SD/OD pin, the external latch turns on and keeps the pin to GND, preventing it from being pulled up again once the SD logic input lower threshold is reached and the internal open drain turns off. One pin of the controller is used to release the external latch, and one to externally force a shutdown condition and also to read the status of the SD/OD pin.

**Figure 7. Protection latching example circuit**



In applications using only one L6390 for the protection of several different legs (such as a single-shunt inverter, for example) it may be useful to implement the resistor divider shown in [Figure 8](#). This simple network allows the pushing of the SD pins of the other devices to a voltage lower than L6390  $V_{il}$ , so that each device can reach its low logic level regardless of part-to-part variations of the thresholds.







## 9 Bootstrap driver

A bootstrap circuitry is needed to supply the high voltage section. This function is normally accomplished by a high voltage fast recovery diode (*Figure 10.a*). In the L6390 device a patented integrated structure replaces the external diode. It is realized by a high voltage DMOS, driven synchronously with the low-side driver (LVG), with a diode in series, as shown in *Figure 10.b*. An internal charge pump (*Figure 10.b*) provides the DMOS driving voltage.

### $C_{BOOT}$ selection and charging

To choose the proper  $C_{BOOT}$  value the external MOS can be seen as an equivalent capacitor. This capacitor  $C_{EXT}$  is related to the MOS total gate charge:

#### Equation 1

$$C_{EXT} = \frac{Q_{gate}}{V_{gate}}$$

The ratio between the capacitors  $C_{EXT}$  and  $C_{BOOT}$  is proportional to the cyclical voltage loss. It must be:

#### Equation 2

$$C_{BOOT} \gg \gg C_{EXT}$$

E.g.: if  $Q_{gate}$  is 30 nC and  $V_{gate}$  is 10 V,  $C_{EXT}$  is 3 nF. With  $C_{BOOT} = 100$  nF the drop would be 300 mV.

If HVG must be supplied for a long time, the  $C_{BOOT}$  selection must also take the leakage and quiescent losses into account.

E.g.: HVG steady-state consumption is lower than 240  $\mu$ A, so if HVG  $T_{ON}$  is 5 ms,  $C_{BOOT}$  must supply 1.2  $\mu$ C to  $C_{EXT}$ . This charge on a 1  $\mu$ F capacitor means a voltage drop of 1.2 V.

The internal bootstrap driver offers important advantages: the external fast recovery diode can be avoided (it usually has a high leakage current).

This structure can work only if  $V_{OUT}$  is close to GND (or lower) and, at the same time, the LVG is on. The charging time ( $T_{charge}$ ) of the  $C_{BOOT}$  is the time in which both conditions are fulfilled and it must be long enough to charge the capacitor.

The bootstrap driver introduces a voltage drop due to the DMOS  $R_{DSon}$  (typical value: 120  $\Omega$ ). This drop can be neglected at low switching frequency, but it should be taken into account when operating at high switching frequency.

The following equation is useful to compute the drop on the bootstrap DMOS:

**Equation 3**

$$V_{\text{drop}} = I_{\text{charge}} R_{\text{dson}} \rightarrow V_{\text{drop}} = \frac{Q_{\text{gate}}}{T_{\text{charge}}} R_{\text{dson}}$$

where  $Q_{\text{gate}}$  is the gate charge of the external power MOSFET,  $R_{\text{dson}}$  is the on-resistance of the bootstrap DMOS and  $T_{\text{charge}}$  is the charging time of the bootstrap capacitor.

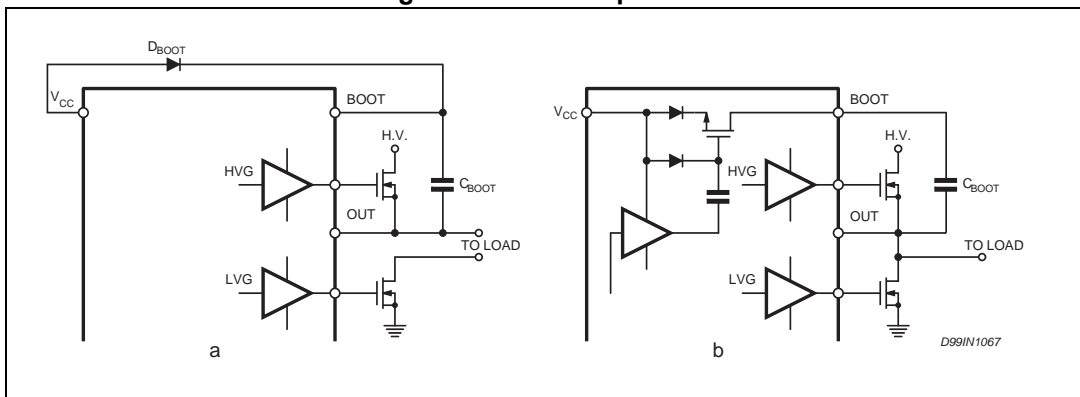
For example: using a power MOSFET with a total gate charge of 30 nC, the drop on the bootstrap DMOS is about 1 V, if the  $T_{\text{charge}}$  is 5  $\mu\text{s}$ . In fact:

**Equation 4**

$$V_{\text{drop}} = \frac{30\text{nC}}{5\mu\text{s}} \cdot 120\Omega \sim 0.7\text{V}$$

$V_{\text{drop}}$  should be taken into account when the voltage drop on  $C_{\text{BOOT}}$  is calculated: if this drop is too high, or the circuit topology doesn't allow a sufficient charging time, an external diode can be used.

**Figure 10. Bootstrap driver**



# 10 Package information

In order to meet environmental requirements, ST offers these devices in different grades of ECOPACK® packages, depending on their level of environmental compliance. ECOPACK specifications, grade definitions and product status are available at: [www.st.com](http://www.st.com). ECOPACK is an ST trademark.

Figure 11. DIP-16 package outline

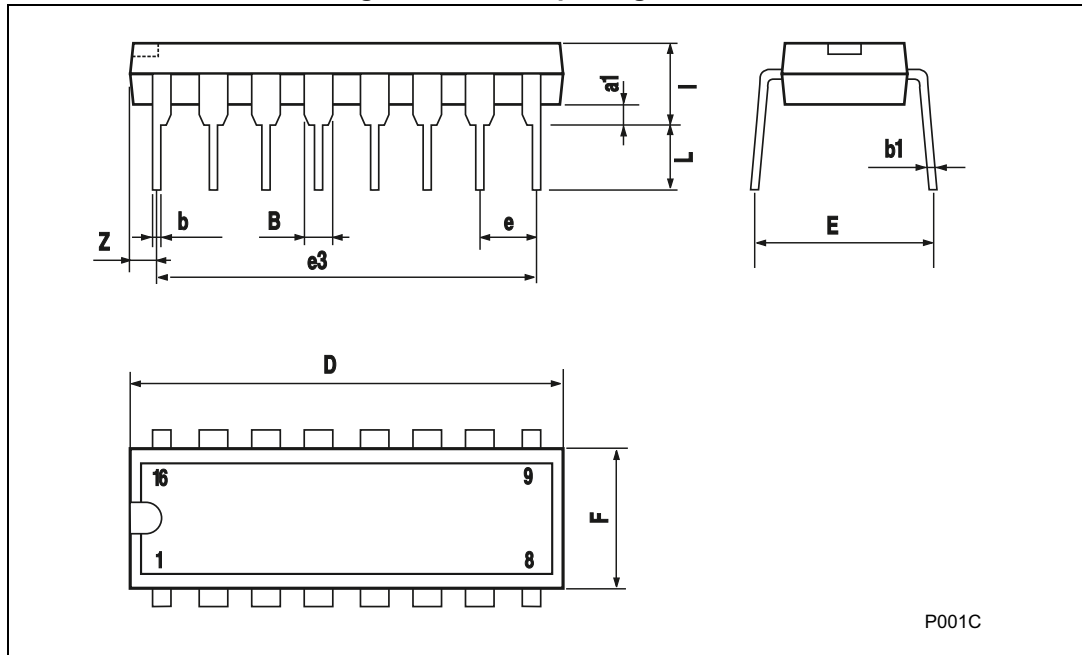


Table 10. DIP-16 package mechanical data

Symbol	Dimensions (mm)		
	Min.	Typ.	Max.
a1	0.51		
B	0.77		1.65
b		0.5	
b1		0.25	
D			20
E		8.5	
e		2.54	
e3		17.78	
F			7.1
L		3.3	5.1
Z			1.27

Figure 12. SO-16 narrow package outline

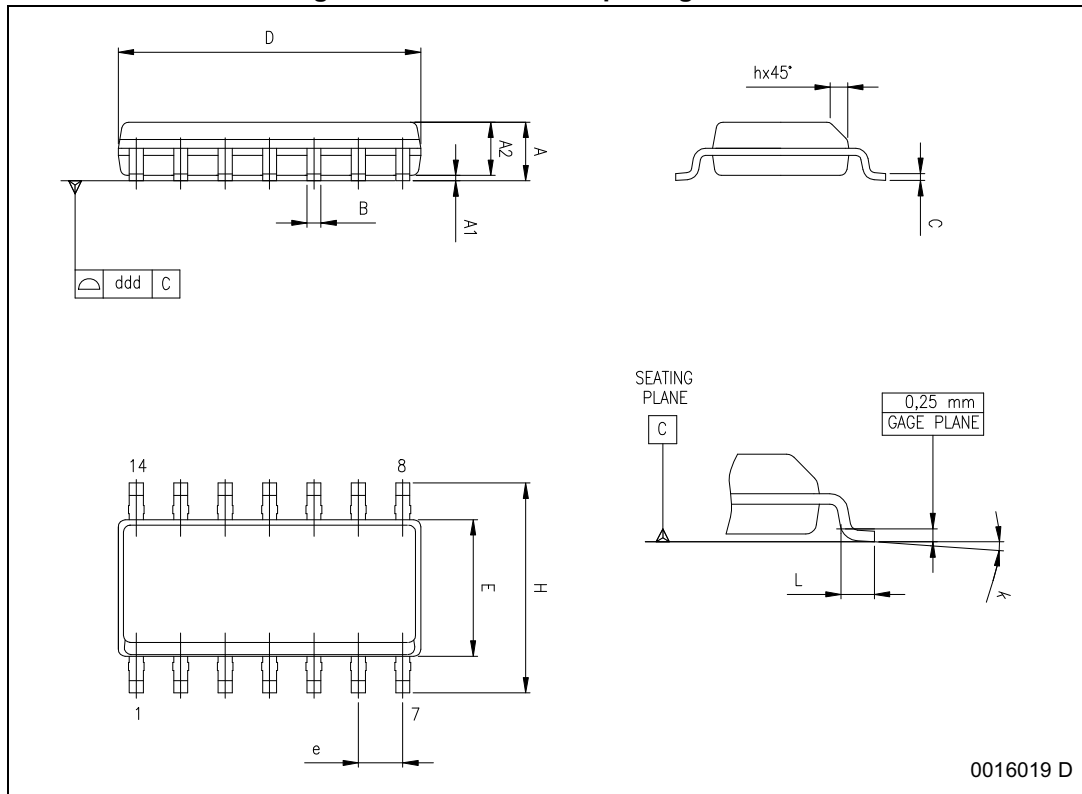
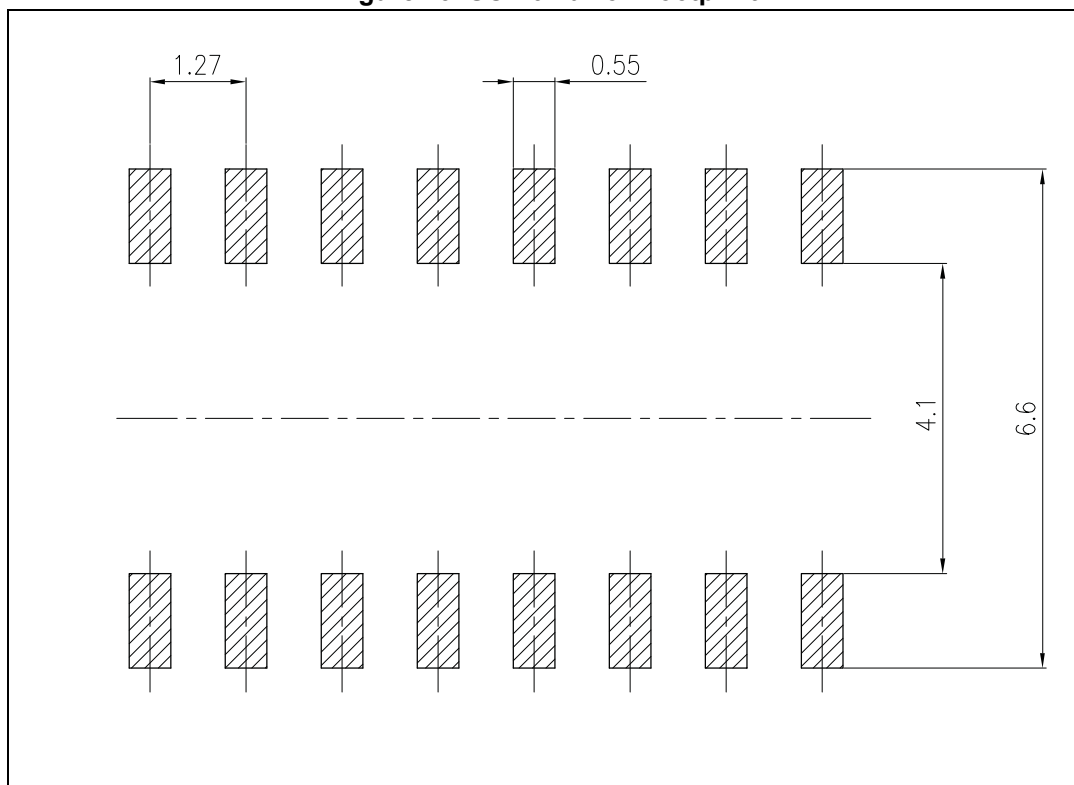


Table 11. SO-16 narrow package mechanical data

Symbol	Dimensions (mm)		
	Min.	Typ.	Max.
A			1.75
A1	0.10		0.25
A2	1.25		
b	0.31		0.51
c	0.17		0.25
D	9.80	9.90	10.00
E	5.80	6.00	6.20
E1	3.80	3.90	4.00
e		1.27	
h	0.25		0.50
L	0.40		1.27
k	0		8°
ccc			0.10

Figure 13. SO-16 narrow footprint



## 11 Order codes

Table 12. Order codes

Order code	Package	Packaging
L6390N	DIP-16	Tube
L6390D	SO-16	Tube
L6390DTR	SO-16	Tape and reel

## 12 Revision history

**Table 13. Document revision history**

Date	Revision	Changes
29-Feb-2008	1	First release
09-Jul-2008	2	Updated: Cover page, <a href="#">Table 1 on page 4</a> , <a href="#">Table 2 on page 5</a> , <a href="#">Section 4 on page 6</a> , <a href="#">Section 5 on page 8</a> , <a href="#">Section on page 18</a>
17-Sep-2008	3	Updated test condition values on <a href="#">Table 7</a> and <a href="#">Table 8</a>
17-Feb-2009	4	Updated <a href="#">Table 6 on page 8</a> , <a href="#">Table 7 on page 10</a> , <a href="#">Table 8 on page 12</a> Added <a href="#">Table 3 on page 6</a>
11-Aug-2010	5	Updated <a href="#">Table 1 on page 1</a> , <a href="#">Table 6 on page 8</a> , <a href="#">Table 8 on page 12</a> , <a href="#">Table 9 on page 12</a>
10-Jul-2012	6	<a href="#">Table 6</a> changed test conditions of DT and MDT values. <a href="#">Table 7</a> added minimum values to $I_{qccu}$ - $I_{qcc}$ - $I_{QBOU}$ - $I_{QBO}$ . <a href="#">Table 7</a> changed $V_{BO\_thON}$ and $V_{BO\_thOFF}$ minimum and maximum values. <a href="#">Table 8</a> and <a href="#">Table 9</a> added footnote to the title of the tables. Changed HVG values on page 17. Updated SO-16 narrow mechanical data. Changed <a href="#">Section 7</a> and added <a href="#">Figure 7</a> and <a href="#">Figure 8</a> .
25-Jul-2012	7	Content reworked in <a href="#">Section 9: Bootstrap driver</a> to improve readability, no technical changes.
20-Jun-2014	8	Updated <a href="#">Section : Applications on page 1</a> (replaced by new applications). Updated <a href="#">Section : Description on page 1</a> (replaced by new description). Updated Table 1: Device summary (moved from page 1 to page 24, updated title to <a href="#">Table 12: Order codes</a> ). Updated <a href="#">Section 4.1: Absolute maximum ratings on page 6</a> (removed note below <a href="#">Table 3: Absolute maximum ratings</a> ). Updated <a href="#">Table 7 on page 10</a> (updated $I_{QBO}$ max. value). Updated <a href="#">Section : C<sub>BOOT</sub> selection and charging on page 18</a> (updated values of "E.g.: HVG"). Updated <a href="#">Section 10: Package information on page 20</a> (updated titles, reversed order of <a href="#">Figure 11</a> and <a href="#">Table 10</a> , <a href="#">Figure 12</a> and <a href="#">Table 11</a> , updated headers of <a href="#">Table 10</a> and <a href="#">Table 11</a> ). Minor modifications throughout document.



**Please Read Carefully:**

Information in this document is provided solely in connection with ST products. STMicroelectronics NV and its subsidiaries ("ST") reserve the right to make changes, corrections, modifications or improvements, to this document, and the products and services described herein at any time, without notice.

All ST products are sold pursuant to ST's terms and conditions of sale.

Purchasers are solely responsible for the choice, selection and use of the ST products and services described herein, and ST assumes no liability whatsoever relating to the choice, selection or use of the ST products and services described herein.

No license, express or implied, by estoppel or otherwise, to any intellectual property rights is granted under this document. If any part of this document refers to any third party products or services it shall not be deemed a license grant by ST for the use of such third party products or services, or any intellectual property contained therein or considered as a warranty covering the use in any manner whatsoever of such third party products or services or any intellectual property contained therein.

**UNLESS OTHERWISE SET FORTH IN ST'S TERMS AND CONDITIONS OF SALE ST DISCLAIMS ANY EXPRESS OR IMPLIED WARRANTY WITH RESPECT TO THE USE AND/OR SALE OF ST PRODUCTS INCLUDING WITHOUT LIMITATION IMPLIED WARRANTIES OF MERCHANTABILITY, FITNESS FOR A PARTICULAR PURPOSE (AND THEIR EQUIVALENTS UNDER THE LAWS OF ANY JURISDICTION), OR INFRINGEMENT OF ANY PATENT, COPYRIGHT OR OTHER INTELLECTUAL PROPERTY RIGHT.**

**ST PRODUCTS ARE NOT DESIGNED OR AUTHORIZED FOR USE IN: (A) SAFETY CRITICAL APPLICATIONS SUCH AS LIFE SUPPORTING, ACTIVE IMPLANTED DEVICES OR SYSTEMS WITH PRODUCT FUNCTIONAL SAFETY REQUIREMENTS; (B) AERONAUTIC APPLICATIONS; (C) AUTOMOTIVE APPLICATIONS OR ENVIRONMENTS, AND/OR (D) AEROSPACE APPLICATIONS OR ENVIRONMENTS. WHERE ST PRODUCTS ARE NOT DESIGNED FOR SUCH USE, THE PURCHASER SHALL USE PRODUCTS AT PURCHASER'S SOLE RISK, EVEN IF ST HAS BEEN INFORMED IN WRITING OF SUCH USAGE, UNLESS A PRODUCT IS EXPRESSLY DESIGNATED BY ST AS BEING INTENDED FOR "AUTOMOTIVE, AUTOMOTIVE SAFETY OR MEDICAL" INDUSTRY DOMAINS ACCORDING TO ST PRODUCT DESIGN SPECIFICATIONS. PRODUCTS FORMALLY ESCC, QML OR JAN QUALIFIED ARE DEEMED SUITABLE FOR USE IN AEROSPACE BY THE CORRESPONDING GOVERNMENTAL AGENCY.**

Resale of ST products with provisions different from the statements and/or technical features set forth in this document shall immediately void any warranty granted by ST for the ST product or service described herein and shall not create or extend in any manner whatsoever, any liability of ST.

ST and the ST logo are trademarks or registered trademarks of ST in various countries.

Information in this document supersedes and replaces all information previously supplied.

The ST logo is a registered trademark of STMicroelectronics. All other names are the property of their respective owners.

© 2014 STMicroelectronics - All rights reserved

STMicroelectronics group of companies

Australia - Belgium - Brazil - Canada - China - Czech Republic - Finland - France - Germany - Hong Kong - India - Israel - Italy - Japan - Malaysia - Malta - Morocco - Philippines - Singapore - Spain - Sweden - Switzerland - United Kingdom - United States of America

[www.st.com](http://www.st.com)

