

**PLEASE CHECK WWW.MOLEX.COM FOR LATEST PART INFORMATION**

**Part Number:** [42815-0012](#)  
**Status:** **Active**  
**Overview:** [Mini-Fit Sr.™ Power Connectors](#)  
**Description:** [Mini-Fit Sr.™ Crimp Terminal, Female, 10 to 12 AWG Gold \(Au\)](#)

**Documents:**

[Drawing \(PDF\)](#) [Test Summary TS-42815-001 \(PDF\)](#)  
[Product Specification PS-42815-001 \(PDF\)](#) [RoHS Certificate of Compliance \(PDF\)](#)  
[Packaging Specification PK-42815-001 \(PDF\)](#)

**General**

Product Family	Crimp Terminals
Series	<a href="#">42815</a>
Application	Power
Comments	High Current/Low Force
Crimp Quality Equipment	Yes
MolexKits	Yes
Overview	<a href="#">Mini-Fit Sr.™ Power Connectors</a>
Product Name	Mini-Fit Sr.™
UPC	800756101095

**Physical**

Gender	Female
Material - Metal	High Performance Alloy (HPA)
Material - Plating Mating	Gold
Material - Plating Termination	Tin
Net Weight	1.351/g
Packaging Type	Reel
Plating min - Mating	0.762µm
Plating min - Termination	2.540µm
Termination Interface: Style	Crimp or Compression
Wire Insulation Diameter	5.30mm max.
Wire Size AWG	10, 12
Wire Size mm²	N/A

**Electrical**

Current - Maximum per Contact	50A
-------------------------------	-----

**Material Info**

**Reference - Drawing Numbers**

Packaging Specification	PK-42815-001
Product Specification	PS-42815-001, RPS-42815-001, RPS-42815-011, RPS-42815-012, RPS-42815-013, RPS-42815-014, RPS-42815-015
Sales Drawing	SD-42815-*
Test Summary	TS-42815-001

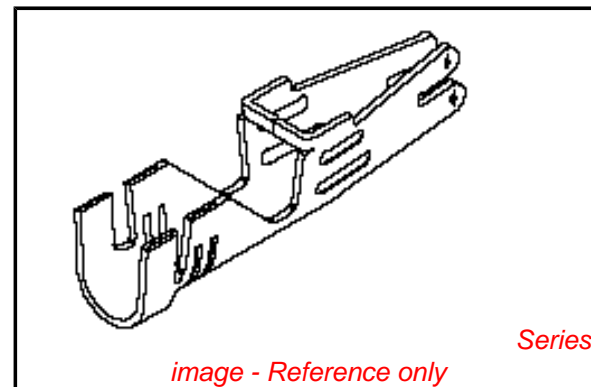


image - Reference only

**EU RoHS**

**ELV and RoHS  
Compliant**

**REACH SVHC**

**Contains SVHC: No  
Low-Halogen Status  
Low-Halogen**

**China RoHS**



**Need more information on product  
environmental compliance?**

Email [productcompliance@molex.com](mailto:productcompliance@molex.com)  
For a multiple part number RoHS Certificate of  
Compliance, [click here](#)

Please visit the [Contact Us](#) section for any  
non-product compliance questions.

**Search Parts in this Series**

[42815Series](#)

**Application Tooling | FAQ**

*Tooling specifications and manuals are  
found by selecting the products below.  
Crimp Height Specifications are then  
contained in the Application Tooling  
Specification document.*

**Global**

Description	Product #
Hand Crimper	<a href="#">0638111600</a>
Mini-Mac™ Applicator	<a href="#">0638911100</a>
Manual Extraction Tool	<a href="#">0638130400</a>
Mini-Mac Applicator for "Mini-Fit Sr." Terminals	<a href="#">0638911200</a>

**Japan**

Description	Product #
Side-Feed Applicator For Full-Auto Machine	<a href="#">0573983200</a>

This document was generated on 07/09/2014

**PLEASE CHECK [WWW.MOLEX.COM](http://WWW.MOLEX.COM) FOR LATEST PART INFORMATION**