

**PLEASE CHECK WWW.MOLEX.COM FOR LATEST PART INFORMATION**

**Part Number:** [19600-1306](#)  
**Status:** **Active**  
**Description:** Avikrimp™ Fully Insulated Female Quick Disconnect

**Documents:**

[Drawing \(PDF\)](#) [Product Specification PS-19902-015 \(PDF\)](#)  
[Product Specification PS-19902-014 \(PDF\)](#) [RoHS Certificate of Compliance \(PDF\)](#)

**Agency Certification**

CSA LR18689  
 UL E79133

**General**

Product Family Quick Disconnects  
 Series [19600](#)  
 Crimp Quality Equipment Yes  
 Insulated No  
 Product Name Avikrimp™  
 Type Quick Disconnect  
 UPC 800753117808

**Physical**

Barrel Type Closed  
 Color - Resin Yellow  
 Flammability 94V-2  
 Gender Female  
 Glow-Wire Compliant No  
 Insulation Nylon (PA)  
 Lock to Mating Part None  
 Material - Metal Brass  
 Material - Plating Mating Tin  
 Material - Plating Termination Tin  
 Net Weight 1.366/g  
 Orientation Straight  
 Packaging Type Adhesive Tape on Reel  
 Polarized to Mating Part No  
 Tab Thickness 0.81mm  
 Tab Width 6.35mm  
 Temperature Range - Operating -65°C to +105°C  
 Wire Insulation Diameter 6.89x4.32mm max.  
 Wire Size AWG 16+16, 18+18, 20+20, 22+22

**Electrical**

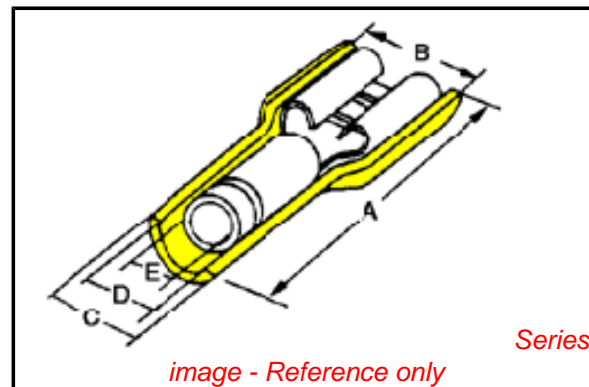
Voltage - Maximum 300V

**Material Info**

Old Part Number P-5242T

**Reference - Drawing Numbers**

Product Specification PS-19902-014, PS-19902-015  
 Sales Drawing SD-19600-1300



**EU RoHS**

**ELV and RoHS Compliant**  
**REACH SVHC Contains SVHC: No**  
**Low-Halogen Status Low-Halogen**

**China RoHS**



**Need more information on product environmental compliance?**

Email [productcompliance@molex.com](mailto:productcompliance@molex.com)  
 For a multiple part number RoHS Certificate of Compliance, [click here](#)

Please visit the [Contact Us](#) section for any non-product compliance questions.

**Search Parts in this Series**

19600Series

**Application Tooling | FAQ**

*Tooling specifications and manuals are found by selecting the products below. Crimp Height Specifications are then contained in the Application Tooling Specification document.*

**Global**

Description	Product #
ATP Perishable Tool Kit used in ATP Presses that Process Product on Tape, for 2 Wires 18-22 AWG	<a href="#">0190270001</a>
ATP Perishable Tool Kit used in ATP Presses that Process Product on Tape, for 2 Wires with 16 AWG	<a href="#">0190270011</a>

**PLEASE CHECK [WWW.MOLEX.COM](http://WWW.MOLEX.COM) FOR LATEST PART INFORMATION**