

MECF-20-01-L-DV

MECF-05-01-L-DV-WT



MECF SERIES

(1,27 mm) .050"

MICRO EDGE CARD SOCKET

SPECIFICATIONS

For complete specifications and recommended PCB layouts see www.samtec.com?MECF-DV

Insulator Material:

- 01=Black Liquid Crystal Polymer
- 02=Natural Liquid Crystal Polymer

Contact Material:

BeCu

Plating:

- Sn or Au over 50µ" (1.27 µm) Ni

Operating Temp Range:

-55°C to +125°C

Current Rating:

3.5 A per pin
(2 adjacent pins powered)

Voltage Rating:

280 VAC

RoHS Compliant:

Yes

Processing:

Lead-Free Solderable:

Yes

SMT Lead Coplanarity:

(0,10 mm) .004" max (05-30)
(0,15 mm) .006" max (40-50)

RECOGNITIONS

For complete scope of recognitions see www.samtec.com/quality

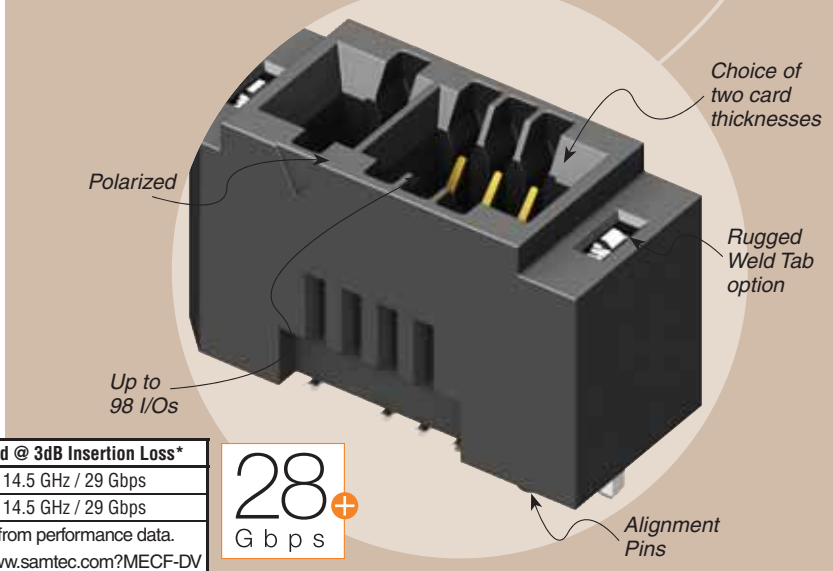


FILE NO. E111594

ALSO AVAILABLE (MOQ Required)

- Non-polarized
 - Other platings
- Contact Samtec.

Mates with:
(1,60 mm) .062" card,
(2,36 mm) .093" card



MECF-DV	Rated @ 3dB Insertion Loss*
Single-Ended Signaling	14.5 GHz / 29 Gbps
Differential Pair Signaling	14.5 GHz / 29 Gbps

*Test board losses de-embedded from performance data.
Complete test data available at www.samtec.com?MECF-DV or contact sig@samtec.com

28+
Gbps



-05, -08, -20, -30, -40, -50

-01
= (1,60 mm) .062" thick card
-02
= (2,36 mm) .093" thick card

-L
= 10µ" (0,25 µm)
Gold on contact, Matte Tin on tail

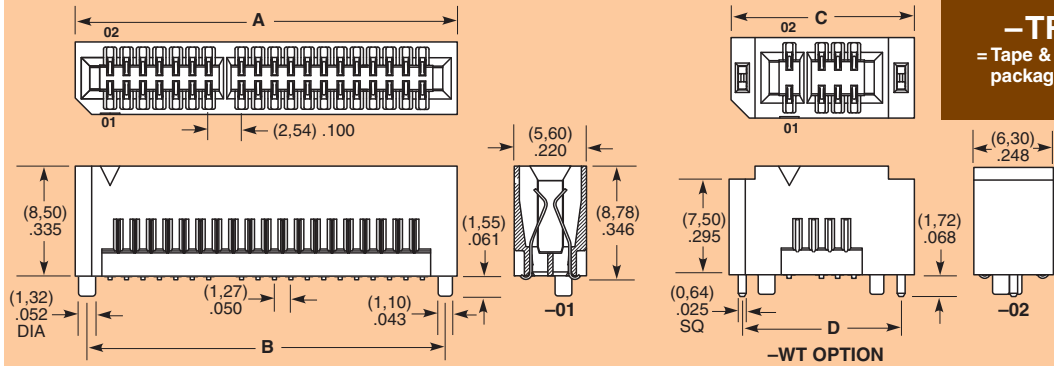
-WT
= Weld Tabs (Standard on -02 card thickness, optional on -01 card thickness)

-K
= (5,00 mm) .197" DIA (-01 card thickness)
(5,70 mm) .224" DIA (-02 card thickness)
Polyimide film pick & place pad (-TR only)

-TR
= Tape & Reel packaging

POSITIONS PER ROW	A	B	C	D
-05	(10,46) .412	(8,64) .340	(14,53) .572	(12,45) .490
-08	(14,27) .562	(12,45) .490	(18,34) .722	(16,26) .640
-20	(29,51) 1.162	(27,69) 1.090	(33,58) 1.322	(31,50) 1.240
-30	(42,21) 1.662	(40,39) 1.590	(46,28) 1.822	(44,20) 1.740
-40	(54,91) 2.162	(53,09) 2.090	(58,98) 2.322	(56,90) 2.240
-50	(67,61) 2.662	(65,79) 2.590	(71,68) 2.822	(69,60) 2.740

POSITIONS PER ROW	POLARIZED POSITIONS (No Contact)
-05	3, 4
-08	5, 6
-20	15, 16
-30	21, 22
-40	31, 32
-50	41, 42



Note: While optimized for 50Ω applications, this connector with alternative signal/ground patterns may also perform well in certain 75Ω applications. Contact Samtec for further information.

Note: Some sizes, styles and options are non-standard, non-returnable.

Due to technical progress, all designs, specifications and components are subject to change without notice.

WWW.SAMTEC.COM