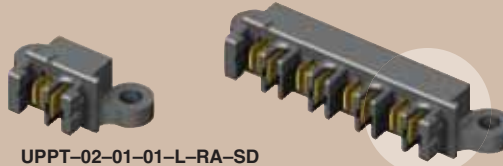
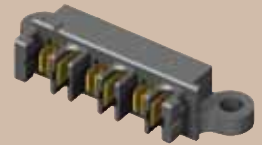


(3,81 mm) .150"

UPPT-08-01-01-L-RA-SD



UPPT-02-01-01-L-RA-SD



UPPT-06-01-01-L-RA-SD

UPPT SERIES

# HERMAPHRODITIC 20 A POWER SYSTEM

## SPECIFICATIONS

For complete specifications see [www.samtec.com?UPPT](http://www.samtec.com?UPPT)

**Insulator Material:**

Black LCP

**Terminal Material:**

Copper Alloy

**Plating:**

Sn or Au over 50µ" (1,27 µm) Ni

**Operating Temp Range:**

-55° to +105°C with Tin;

-55° to +125°C with Gold

**Voltage Rating:**

425 VAC/600 VDC

**RoHS Compliant:**

Yes

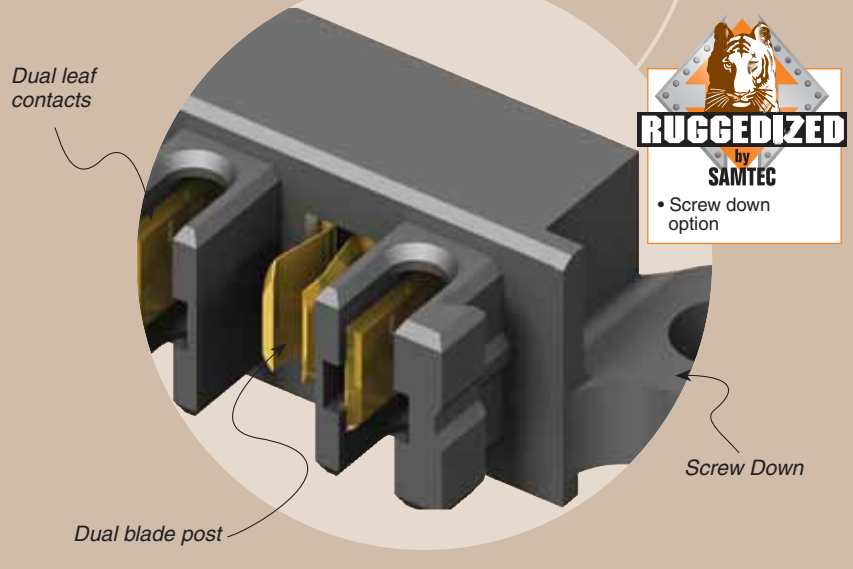
**Lead-Free Solderable:**

Yes

Mates with:  
UPPT

UPPT/UPPT	
PINS	CURRENT RATING (PER CONTACT)
1	21.4 A
2	19.8 A
3	17.1 A
4	16.9 A
ALL	14.1 A

Dual leaf contacts



Screw Down

Dual blade post

## RECOGNITIONS

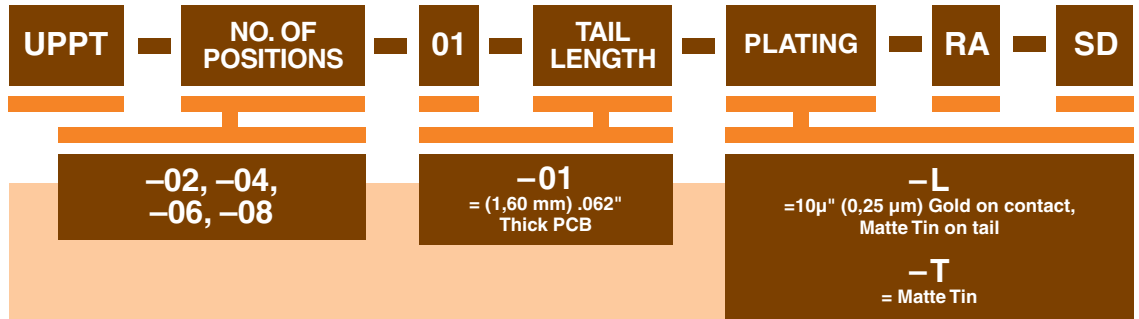
For complete scope of recognitions see [www.samtec.com/quality](http://www.samtec.com/quality)



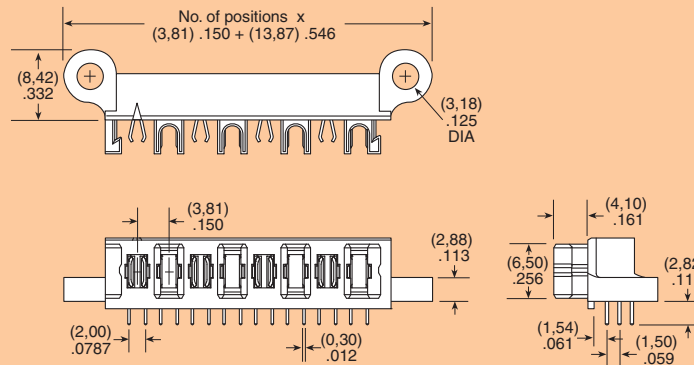
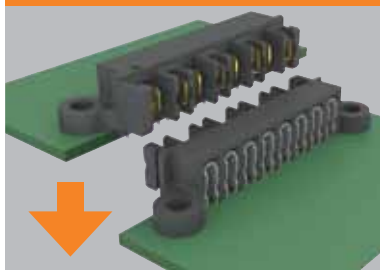
FILE NO. E111594

## ALSO AVAILABLE (MOQ Required)

- Solder Leads for (2,36 mm) .093" thick board
- Locking Clip (Manual placement required)
- Tape & Reel Packaging Contact Samtec.



## APPLICATION



**Note:** Some sizes, styles and options are non-standard, non-returnable.

Due to technical progress, all designs, specifications and components are subject to change without notice.

[WWW.SAMTEC.COM](http://WWW.SAMTEC.COM)