

Data Sheet

PR075xxHBER

Page 1/4

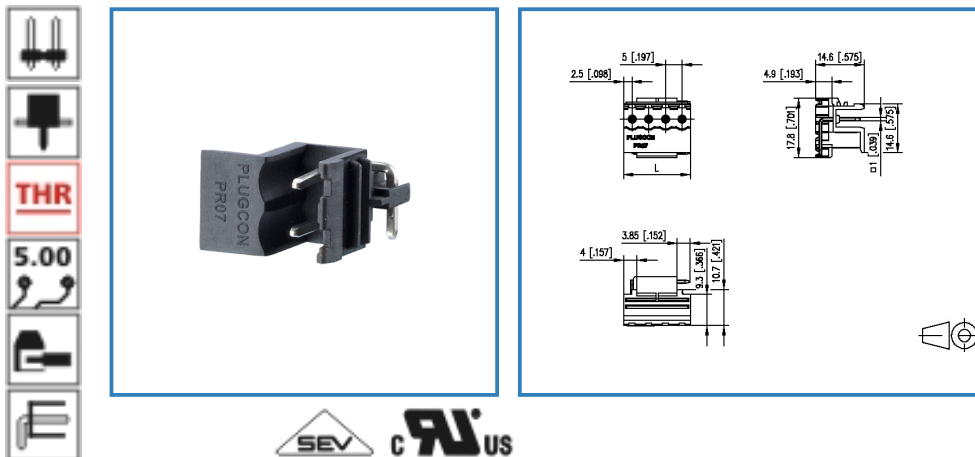
P/N

313381xx

xx=number of poles

2013/12/05

Illustration



see enlarged drawing at the end of the document

Product specification

- pin header, THR solderable
- centerline 5.00 mm, direction of connection 90°
- open ends, fittable without loss of poles
- color black
- Tape & Reel packaging
- codeable, connection right side, pluggable for module housing
- Connection data

cRUUS V / A 300 / 17

SEV 12 A / 250 V / 4 kV / 3 / IEC 61984

Data Sheet

PR075xxHBER

Page 2/4

P/N

313381xx

xx=number of poles


2013/12/05

Technical Data

General Data

Solder pin length	3.85 mm		
min. number of poles	2		
max. number of poles	4		
Insulating material class	CTI 600		
clearance/creepage dist.	3.2 mm		
protection category	IP 00		
Overvoltage category	III	III	II
Pollution degree	3	2	2
Rated voltage	250 V	630 V	630 V
Rated test voltage	4.0 kV	4.0 kV	4 kV

Connection data

 V / A	300 / 17		
	12 A / 250 V / 4 kV / 3 / IEC 61984		

Material

insulating material	PA66/6T
flammability class	V0
contact pin material	CuZn
contact pin surface	Ni + Sn

Climatic properties

upper limit temperature	125 °C
lower limit temperature	-40 °C

General

solderability	For THR products acc. to IPC/JEDEC J-STD-020D-MSL 1 For THT products max. 260 °C / 10 s
Tolerance	ISO 2768 -mH

Data Sheet

PR075xxHBER

Page 3/4

P/N

313381xx

xx=number of poles

2013/12/05

Matching Part to

P/N	Product name
313131	RP035xxHBLC Typ 313
313141	RP035xxHBLD Typ 314
313481	RP085xxVBLC Typ 348
313491	RP015xxVBLC Typ 349
313501	RP015xxSBLC Typ 350
ASP045	SP045xxVBNC ASP045
SP065XXVBNC	SP065xxVBNC
SP065XXVBPC	SP065xxVBPC
SP995XXVBDC (on request)	SP995xVBDC

Accessories

P/N	Product name
700025-01-5 (on request)	F_Kodier_blp
700025-01-9	700025
700025-02-2 (on request)	F_Kodier_swg
700523-0157 (on request)	Geh_Kappe_swg_Block
700523-01C8 (on request)	Geh_Kappe_grl_Block
700523-0257 (on request)	Geh_Kappe_swg_Block
700523-02C8 (on request)	Geh_Kappe_grl_Block



Data Sheet

PR075xxHBER

Page 4/4

P/N

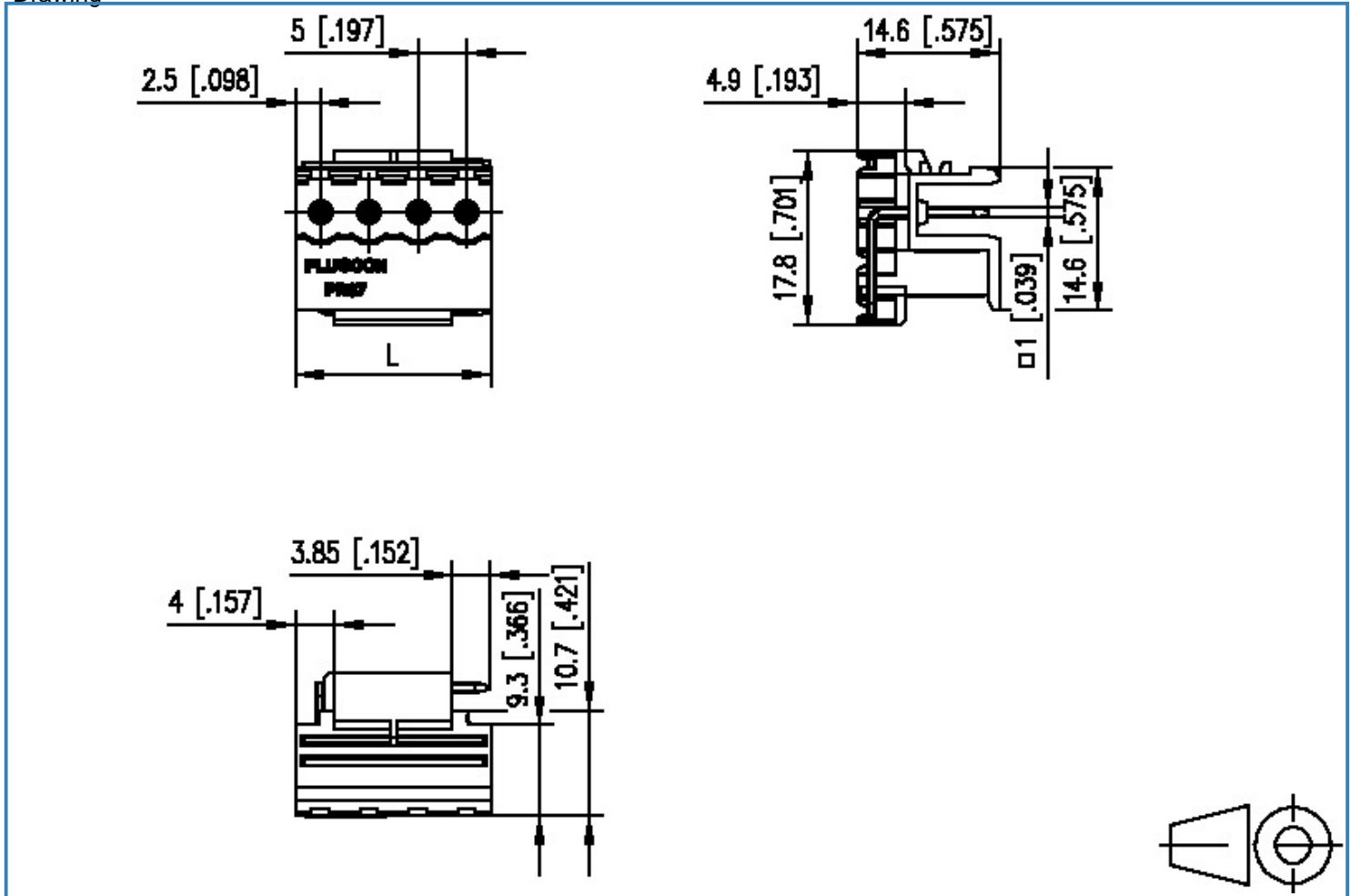
313381xx

xx=number of poles

2013/12/05

Illustration

Drawing



$L = (\text{pole size} - 1) \times \text{centerline} + 5 [0.197]$

