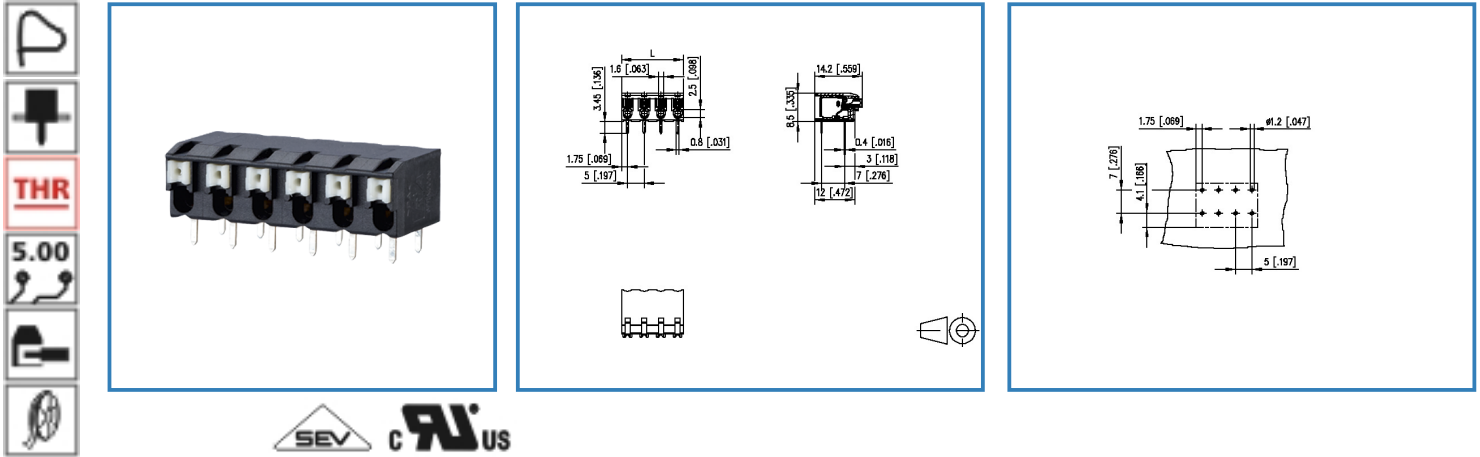


# Data Sheet

## SR215xxHBNC

### Illustration



see enlarged drawing at the end of the document

### Product specification

- spring clamp terminal block, THR solderable, double solder pins
- centerline 5.00 mm, direction of connection 90°
- fittable without loss of poles
- color black
- Tape & Reel packaging
- push-button
- Connection data

**cRU** V / A / AWG 300 / 10 / 28 - 16

**SEV** 0.08 - 1.5mm<sup>2</sup> 250 V / 2 kV / 17.5 A

# Data Sheet



## SR215xxHBNC

### Technical Data

#### General Data

Solder pin length	3.45 mm		
min. number of poles	2		
max. number of poles	16		
Insulating material class	CTI 600		
clearance/creepage dist.	3.4 mm		
protection category	IP 20		
Overvoltage category	III	III	II
Pollution degree	3	2	2
Rated voltage	250 V	630 V	630 V
Rated test voltage	4.0 kV	4.0 kV	4 kV
Min. insul. strip length	8.5 mm		

#### Connection data

 US V / A / AWG	300 / 10 / 28 - 16		
 0.08 - 1.5mm <sup>2</sup>	250 V / 2 kV / 17.5 A		

#### Material

insulating material	PA66/6T
flammability class	V0

#### Climatic properties

upper limit temperature	105 °C
lower limit temperature	-40 °C

#### General

solderability	For THR products acc. to IPC/JEDEC J-STD-020D-MSL 1   For THT products max. 260 °C / 10 s
Tolerance	ISO 2768 -mH

# Data Sheet

## SR215xxHBNC

Page 3/4

P/N

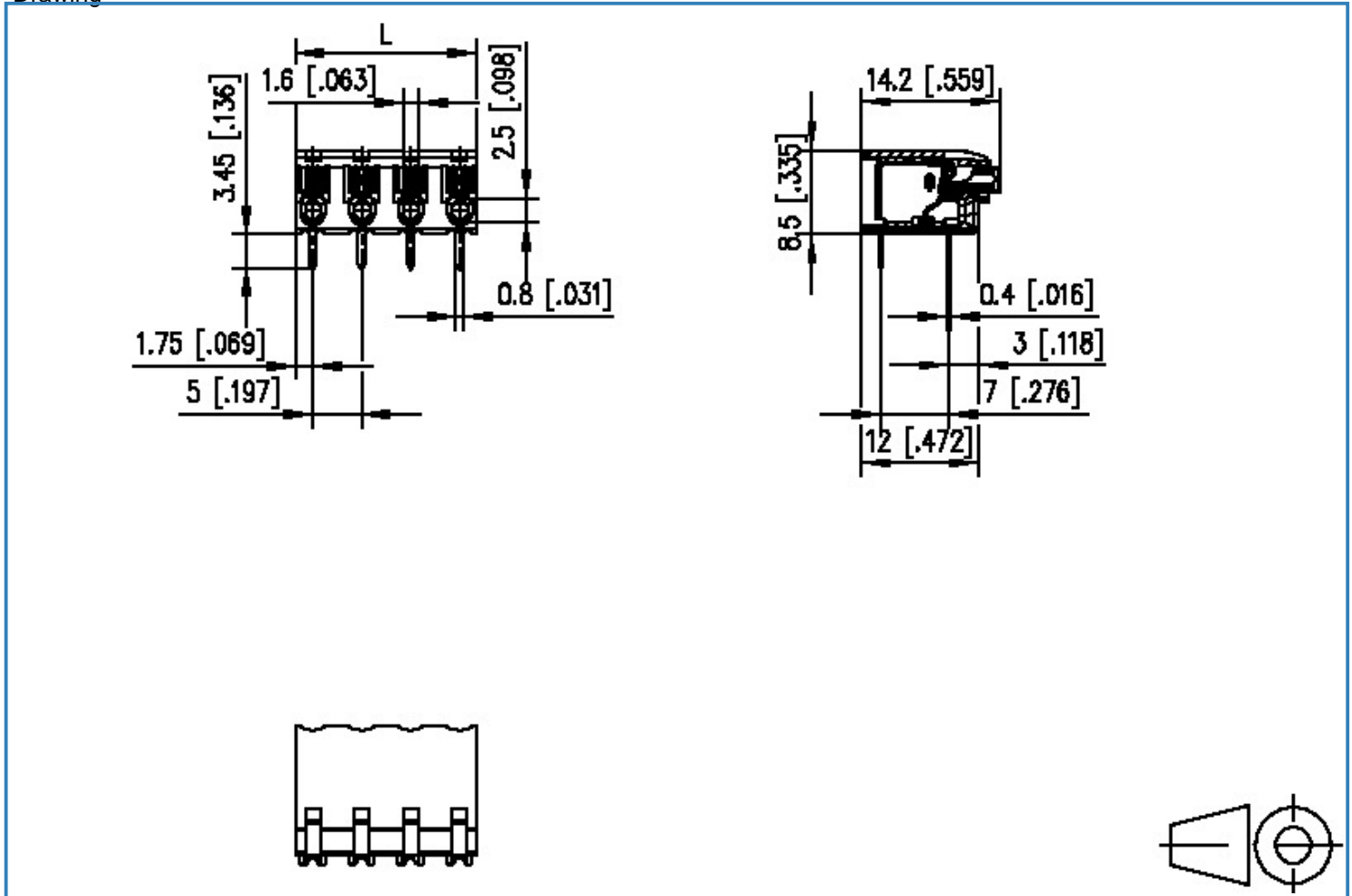
AST225xx

xx=number of poles

2013/12/05

### Illustration

Drawing



$$L = (\text{pole size} - 1) \times \text{centerline} + 3.5 [0.138]$$



# Data Sheet

## SR215xxHBNC

Page 4/4

P/N

AST225xx

xx=number of poles

2013/12/05

### PCB Layout

