

# HyperLink Wireless 2.4 GHz 5.5 dBi Reverse Polarity-SMA "Rubber Duck" Wireless LAN Antenna Model: HG2405RD-RSP

## Applications and Features

- Applications:**
- 2.4 GHz ISM Band
  - IEEE 802.11b and 802.11g Wireless LAN
  - Bluetooth®
  - WiFi
  - Wireless Video Systems
  - Multipoint and Mobile Applications

- Features:**
- Flexible "Rubber Duck" antenna
  - Tilt and swivel design
  - RP-SMA Connector
  - RoHS Compliant
  - Optional Magnetic Mount Available



## Description

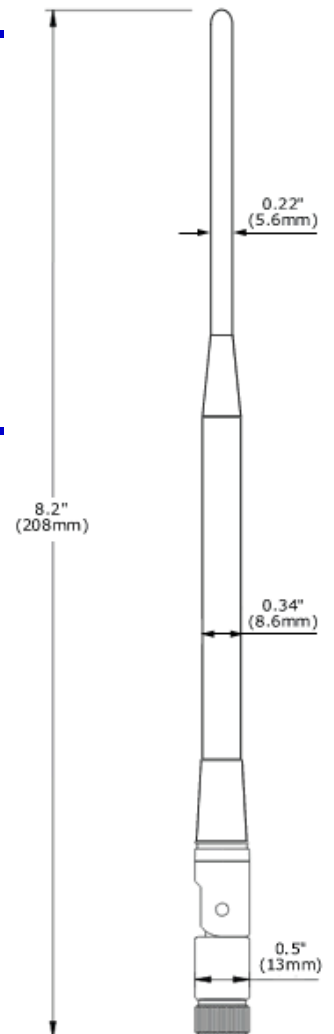
This compact 2.4GHz omnidirectional "rubber-duck" WiFi antenna provides broad coverage and 5.5 dBi gain. It is a coaxial sleeve design with an omni-directional pattern. It is ideally suited for IEEE 802.11b and 802.11g wireless LANs, Bluetooth® and other WLAN applications.

Measuring 8.2" long, this flexible antenna features a tilt-and-swivel reverse-polarity SMA connector, allowing them to be used vertically, at a right angle, or any angle in-between. It is suitable as a replacement RF antenna for many access points and radios that are equipped with reverse-polarity SMA connectors including D-Link®, Linksys® WET11 and others.

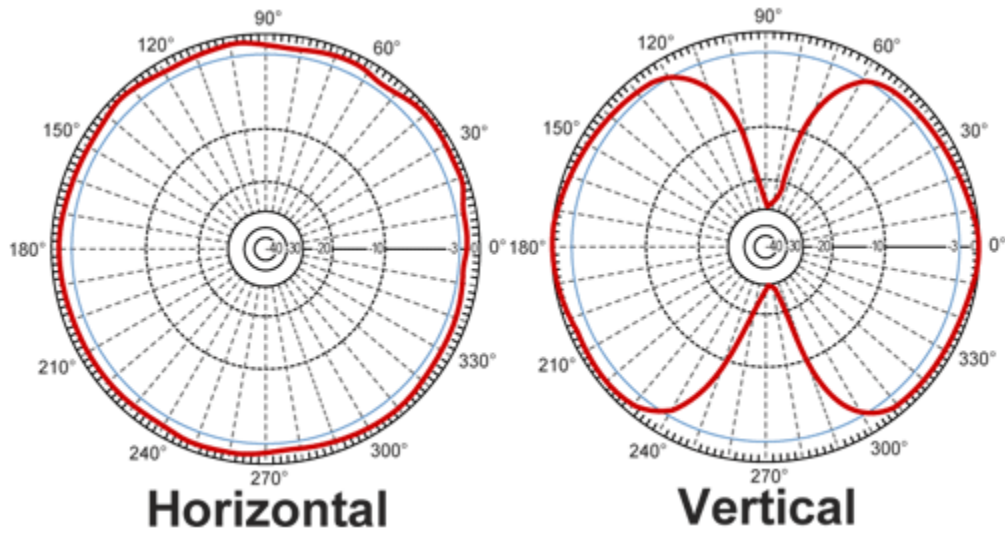
**Application Note:** This antenna is not for use with U.S.Robotics® RP-SMA equipped devices.

## Specifications

<b>Frequency</b>	2400-2500 MHz
<b>Gain</b>	5.5 dBi
<b>Impedance</b>	50 Ohm
<b>VSWR</b>	< 2.0
<b>Weight</b>	0.7 oz. (20 g)
<b>Length</b>	8.2" (208 mm)
<b>Diameter</b>	0.5" (13 mm)
<b>Finish</b>	Matte Black
<b>Connector</b>	Reverse Polarity SMA Plug
<b>Operating Temperature</b>	-40° C to 85° C (-40° F to 185° F)
<b>Flame Rating</b>	UL 94HB
<b>Polarization</b>	Vertical
<b>RoHS Compliant</b>	Yes




**Antenna Gain Pattern**



**Guaranteed Quality**

This product is backed by L-Com's Limited Warranty

**Optional Magnetic Mount**

	Model	Description
	<p><b>HMA6-RSPA10</b></p>	<p>Reverse-Polarity SMA-Jack (RP-SMA Jack) magnetic mount with 5 ft. high performance low-loss 100 series cable terminated with a Reverse-Polarity SMA Plug (RP-SMA Plug) connector. Custom connectors and cable lengths also available.</p>