

**PLEASE CHECK WWW.MOLEX.COM FOR LATEST PART INFORMATION**

**Part Number:** [08-70-1039](#)  
**Status:** **Active**  
**Overview:** SPOX™ BMI Connector System  
**Description:** 2.50mm Pitch SPOX™ Wire-to-Board Crimp Terminal, Reel

**Documents:**

[3D Model](#) [Product Specification PS-5264-001 \(PDF\)](#)  
[Drawing \(PDF\)](#) [RoHS Certificate of Compliance \(PDF\)](#)

**General**

Product Family Crimp Terminals  
 Series [5263](#)  
 Application Signal  
 Crimp Quality Equipment Yes  
 Overview [SPOX™ BMI Connector System](#)  
 Packaging Alternative [08-70-1040 \(Loose\)](#)  
 Product Name SPOX™  
 UPC 800753534902

**Physical**

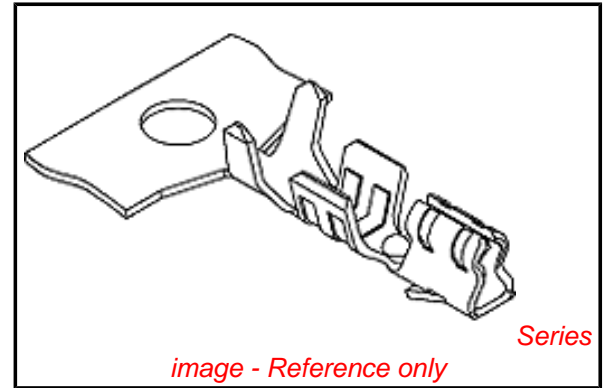
Gender Female  
 Material - Metal Phosphor Bronze  
 Material - Plating Mating Tin  
 Material - Plating Termination Tin  
 Net Weight 43.200/mg  
 Packaging Type Reel  
 Plating min - Mating 0.889µm  
 Plating min - Termination 0.914µm  
 Termination Interface: Style Crimp or Compression  
 Wire Insulation Diameter 1.90mm max.  
 Wire Size AWG 22, 24, 26, 28  
 Wire Size mm² N/A

**Material Info**

Old Part Number 5263PBT

**Reference - Drawing Numbers**

Crimp Specification CS-5263  
 Product Specification PS-5264-001, RPS-5263-001, RPS-5264-002,  
 RPS-5264-003, RPS-5264-004, RPS-5264-005,  
 RPS-5264-006  
 Sales Drawing SD-5263-003



**EU RoHS**

**ELV and RoHS  
 Compliant**  
**REACH SVHC  
 Contains SVHC: No**  
**Low-Halogen Status  
 Low-Halogen**

**China RoHS**



**Need more information on product  
 environmental compliance?**

Email [productcompliance@molex.com](mailto:productcompliance@molex.com)  
 For a multiple part number RoHS Certificate of  
 Compliance, [click here](#)

Please visit the [Contact Us](#) section for any  
 non-product compliance questions.

**Search Parts in this Series**

[5263Series](#)

**Use With**

[5264](#)

**Application Tooling | FAQ**

*Tooling specifications and manuals are  
 found by selecting the products below.  
 Crimp Height Specifications are then  
 contained in the Application Tooling  
 Specification document.*

**Global**

Description	Product #
Hand Crimp Tool for Crimp Terminals	<a href="#">0638115200</a>
Fine Adjust Applicator for 2.50mm (.098") Pitch SPOX™ Male Crimp Terminal	<a href="#">0639026400</a>
FineAdjust™ Applicator for 2.50mm Pitch Male Crimp Terminal	<a href="#">0639023100</a>

T2 Terminator for 0639123100  
2.50mm Pitch Male  
Crimp Terminal  
Manual Extraction 0638131400  
Tool

**Japan**

**Description** **Product #**

Applicator for M211A 0011260117  
Bench Press, 22-28  
AWG Wire

This document was generated on 06/27/2014

**PLEASE CHECK [WWW.MOLEX.COM](http://WWW.MOLEX.COM) FOR LATEST PART INFORMATION**