

**PLEASE CHECK WWW.MOLEX.COM FOR LATEST PART INFORMATION**

**Part Number:** [50011-8100](#)  
**Status:** **Active**  
**Overview:** MicroBlade™ Connection System  
**Description:** 2.00mm Pitch MicroBlade™ Wire-to-Wire Crimp Terminal, Female, 24-30 AWG, Bag

**Documents:**

[Drawing \(PDF\)](#) [Product Specification PS-55381-004 \(PDF\)](#)  
[Product Specification PS-51004-002 \(PDF\)](#) [RoHS Certificate of Compliance \(PDF\)](#)  
[Product Specification PS-51049-001 \(PDF\)](#)

**General**

Product Family	Crimp Terminals
Series	<a href="#">50011</a>
Application	Signal
Crimp Quality Equipment	Yes
MolexKits	Yes
Overview	<a href="#">MicroBlade™ Connection System</a>
Packaging Alternative	<a href="#">50011-8000 (Reel)</a>
Product Name	MicroBlade™
UPC	800753576223

**Physical**

Gender	Female
Material - Metal	Phosphor Bronze
Material - Plating Mating	Tin
Material - Plating Termination	Tin
Net Weight	22.500/mg
Packaging Type	Bag
Termination Interface: Style	Crimp or Compression
Wire Insulation Diameter	0.80-1.40mm
Wire Size AWG	24, 26, 28, 30
Wire Size mm²	N/A

**Electrical**

Current - Maximum per Contact	2A
Voltage - Maximum	125V

**Material Info**

**Reference - Drawing Numbers**

Crimp Specification	CS-50011-8*00
Product Specification	PS-51004-002, PS-51049-001, PS-55381-004, RPS-51004-001, RPS-51004-002, RPS-51004-003, RPS-51004-004, RPS-51004-006, RPS-51004-007, RPS-51004-008, RPS-51004-009, RPS-51004-010, RPS-51004-011, RPS-51004-012, RPS-51004-013, RPS-51004-014, RPS-51004-015, RPS-51004-016, RPS-51004-017, RPS-51004-018, RPS-51004-019, RPS-51004-020, RPS-51004-021, RPS-51004-022, RPS-51004-023, RPS-51004-024, RPS-51004-025, RPS-51004-026, RPS-53014-001, RPS-55381-001, RPS-55381-002
Sales Drawing	SD-50011-8*00

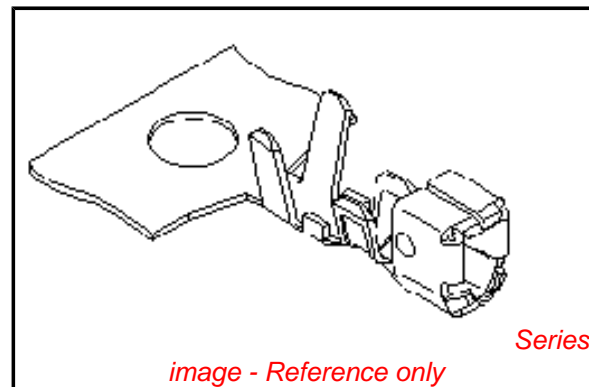


image - Reference only

**EU RoHS**

**ELV and RoHS Compliant**  
**REACH SVHC Contains SVHC: No**  
**Low-Halogen Status Low-Halogen**

**China RoHS**



**Need more information on product environmental compliance?**

Email [productcompliance@molex.com](mailto:productcompliance@molex.com)  
 For a multiple part number RoHS Certificate of Compliance, [click here](#)

Please visit the [Contact Us](#) section for any non-product compliance questions.

**Search Parts in this Series**

[50011Series](#)

**Mates With**

[53014](#) , [53015](#) , [53025](#) MicroBlade™ Headers

**Use With**

[51004](#) MicroBlade™ Housing

**Application Tooling | FAQ**

*Tooling specifications and manuals are found by selecting the products below. Crimp Height Specifications are then contained in the Application Tooling Specification document.*

**Global**

Description	Product #
Hand Crimp Tool for Crimp Terminals	<a href="#">0638190100</a>
Extraction Tool	<a href="#">0011030043</a>

**Japan**

Description	Product #
Hand Crimp Tool	<a href="#">0570325000</a>

This document was generated on 07/07/2014

**PLEASE CHECK [WWW.MOLEX.COM](http://WWW.MOLEX.COM) FOR LATEST PART INFORMATION**