

PLEASE CHECK WWW.MOLEX.COM FOR LATEST PART INFORMATION

Part Number: [03-12-2046](#)
Status: **Active**
Description: 3.18mm Diameter, HCS125, Pin and Socket Plug Housing, Single Row, without Panel Mount Ears, 4 Circuits, Natural (Translucent)

Documents:

[3D Model](#) [Product Specification PSX-42179 \(PDF\)](#)
[Drawing \(PDF\)](#) [RoHS Certificate of Compliance \(PDF\)](#)

Agency Certification

CSA LR19980
 UL E29179

General

Product Family Crimp Housings
 Series [42179](#)
 Application Power, Wire-to-Wire
 Product Name HCS-125
 UPC 800754232760

Physical

Circuits (maximum) 4
 Color - Resin Natural
 Flammability 94V-2
 Gender Dual
 Glow-Wire Compliant No
 Lock to Mating Part Yes
 Material - Resin Nylon
 Net Weight 5.081/g
 Number of Rows 1
 Packaging Type Bag
 Panel Mount No
 Pitch - Mating Interface 8.38mm
 Polarized to Mating Part Yes
 Stackable No
 Temperature Range - Operating -40°C to +105°C

Electrical

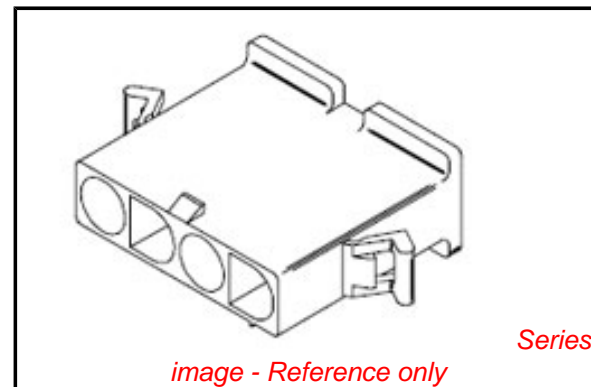
Current - Maximum per Contact 20A

Material Info

Old Part Number 4217904P1

Reference - Drawing Numbers

Product Specification PSX-42179
 Sales Drawing SD-42179-4*



EU RoHS

ELV and RoHS Compliant
REACH SVHC Contains SVHC: No
Low-Halogen Status Low-Halogen

China RoHS



Need more information on product environmental compliance?

Email productcompliance@molex.com
 For a multiple part number RoHS Certificate of Compliance, [click here](#)

Please visit the [Contact Us](#) section for any non-product compliance questions.

Search Parts in this Series

[42179Series](#)

Mates With

[03-12-1046](#)

Use With

[1900 Male Crimp Terminals](#), [1901](#), [2046](#), [2047](#), [42546](#), [42547](#), [42554](#), [42555](#)