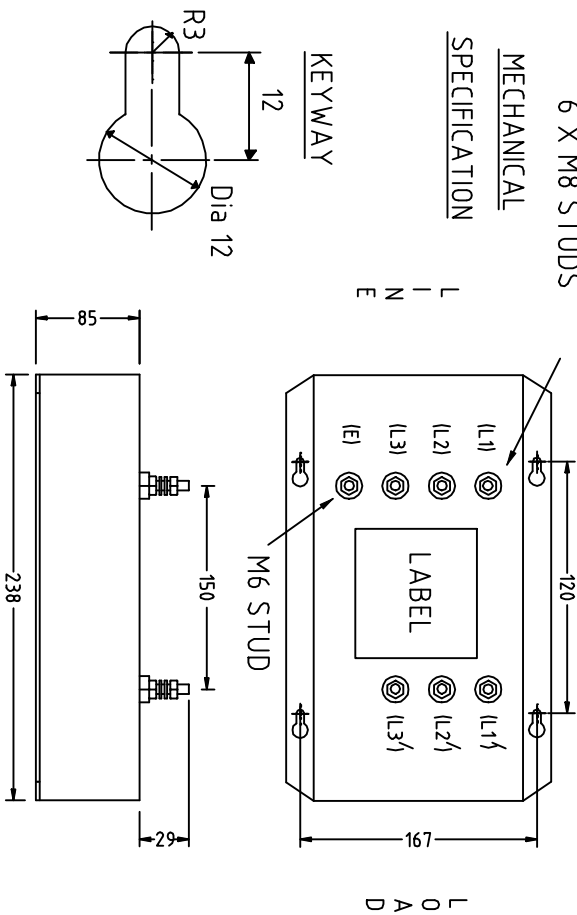


6 X M8 STUDS

MECHANICAL SPECIFICATION

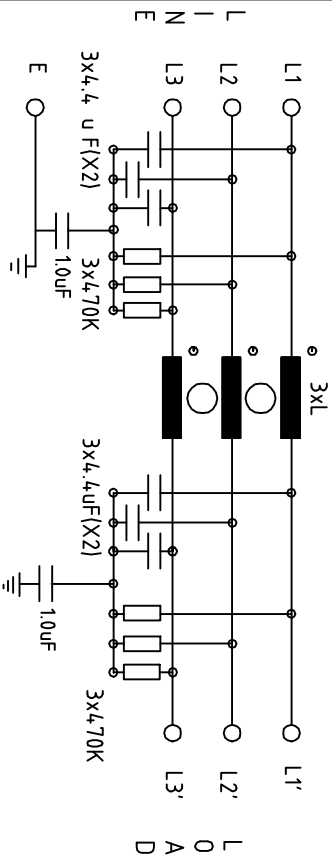


FIXING FOR SURGE ARRESTER (VSU3W)

ELECTRICAL SPECIFICATION

RATED VOLTAGE 4.40/250V
 LINE FREQUENCY 50/60Hz
 TEMPERATURE RANGE -25 to 85 DegC
 TEST VOLTAGE 2.0KV DC
 LEAKAGE CURRENT 163mA AT 250V 50HZ
 WEIGHT 6.35Kg

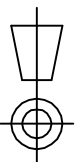
ELECTRICAL SCHEMATIC



PRODUCT RANGE

TYPE	CURRENT (IRMS) @4.0°C	INDUCTANCE (L)	RESISTANCE (R) PER WINDING	MINIMUM INSERTION LOSS AT 150 KHZ	
				COMMON MODE	DIFFERENTIAL MODE
MDF370	70A	1.10 mH	2.1mR	79dB	27dB
MDF3100	100A	0.71 mH	1.7mR	75dB	23dB

ALL DIMENSIONS IN MM / ANGLES IN DECIMAL DEGREES



ROXBURGH ELECTRONICS LTD

TITLE 3-WIRE M8 MOTOR DRIVE FILTER

MDF3XX-M8-GS

2
GENERAL SPECIFICATION FOR MDF3XX-M8

CUSTOMER REFERENCE

Sheet 1 of 1 | Aprvd Date 13/03/00 | Aprvd By BFS | Drwn by BFS | SCALE NTS | CNN--- | Location N:\DWG\GS\GS000169

© ROXBURGH ELECTRONICS LTD, FOXHILLS INDUSTRIAL PARK, SCUNTHORPE, NORTH LINCOLNSHIRE, DN15 8QJ TEL +44 1724 281770 F +44 1724 270230