

NEW!

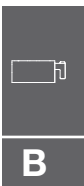
ITS Series Illuminated Tact Switch

Features/Benefits

- Vertical and right angle
- Thru-hole and SMT models
- Multiple caps and legends
- Several LED colors and bi-color options
- RoHS compliant /compatible

Typical Applications

- Consumer electronics
- Server/storage
- Medical devices
- Test/Measurement/Instrumentation
- Audio/Video
- Computers/Peripherals
- Security



Tactile Switches

Specification

FUNCTION: N.O. momentary action
 TERMINALS: SMT with positioning pegs, Thru-hole

Mechanical

OPERATING FORCE: 160gf ± 50gf
 OPERATING LIFE: 50,000 cycles (250m Ω max)
 RECOMMENDED OPERATING STROKE: 0.25mm ± 0.1mm

Electrical

RATING: 50mA @ 12VDC
 CONTACT RESISTANCE: <100m Ω (initial)
 DIELECTRIC WITHSTANDING VOLTAGE:
 >250VAC (50-60 Hz) between terminals - 1 min.Ω
 INSULATION RESISTANCE: >100M Ω
 BOUNCE TIME: <10ms

Packaging

Thru-hole: 200 pieces per tray
 SMT: tape & reel (see V2 or V3 mounting style drawings)

Environmental

OPERATING TEMPERATURE: -25°C to +70°C
 STORAGE TEMPERATURE: -25°C to +80°C

Process

SOLDERABILITY: Thru-hole - wave compatible
 SMT - convection or IR reflow compatible

Materials

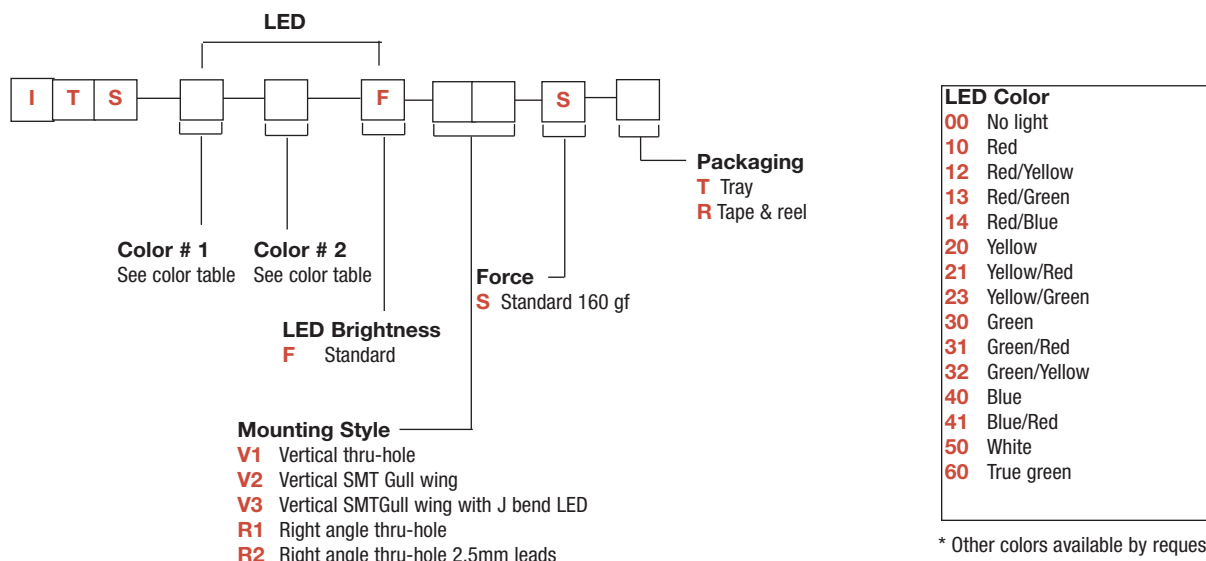
CONTACTS/TERMINALS: Base metal; brass
 Plating; Ag
 DOME: Base metal: Phosphor bronze
 Plating; Ag
 BASE: PA
 ACTUATOR: PA
 COVER: PA

Caps

Caps are ordered separately and shipped bulk. Thru-hole versions available with caps assembled under custom part number. Contact customer service for details.

How To Order

Our easy build-a-switch concept allows you to mix and match options to create the switch you need. To order, select desired option from each category and place it in the appropriate box.



ITS Series Illuminated Tact Switch

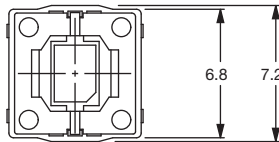
NEW!

LED COLOR / BRIGHTNESS

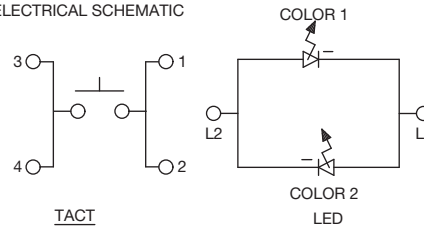
LED Characteristic	units	Standard LED Color Options					
		Red (1)	Yellow (2)	Green (3)	Blue (4)	White (5)	True Green (6)
Recommended Operating	mA @ 5VDC	20mA	20mA	20mA	20mA	20mA	20mA
Forward Current	mA	30 mA	30 mA	30 mA	30 mA	30 mA	30 mA
Peak Pulsing Current (1/8 duty @ 1kHz)	mA	125 mA	125 mA	125 mA	125 mA	125 mA	125 mA
Power Dissipation	mW	75 mW	75 mW	75 mW	108 mW	114 mW	108 mW
Forward Voltage @ 20mA	Volts	2.5 Volts Max.	2.5 Volts Max.	2.5 Volts Max.	3.6 Volts Max.	3.6 Volts Max.	3.6 Volts Max.
Dominant Wavelength @ 20mA	nm	637nm (Typical)	590nm (Typical)	570nm (Typical)	465nm (Typical)	CIE Coordinates X= 0.25 ~ 0.33 Y= 0.24 ~ 0.34	522nm (Typical)
Wavelength at Peak Emission @ 20mA	nm	645nm (Typical)	590nm (Typical)	573nm (Typical)	460nm (Typical)		515nm (Typical)
Spectral Half Bandwidth @ 20mA	nm	20nm (Typical)	20nm (Typical)	17nm (Typical)	25nm (Typical)		33nm (Typical)
Luminous Intensity @ 20mA	mcd	50mcd Minimum	125mcd Minimum	40mcd Minimum	100mcd Minimum	250mcd Minimum	500mcd Minimum
Viewing Angle at 50% LV (@10mA)	degrees	150° Typical	120° Typical	120° Typical	120° Typical	150° Typical	120° Typical

MOUNTING STYLES

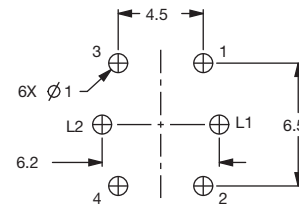
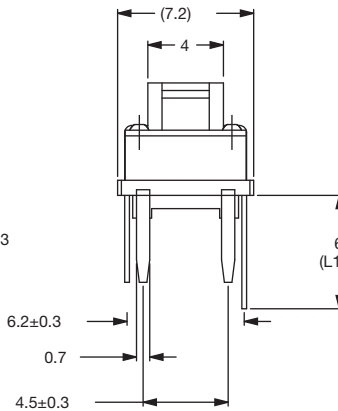
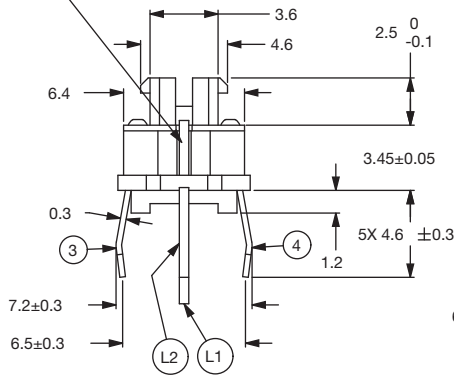
V1 - Vertical Thru-hole



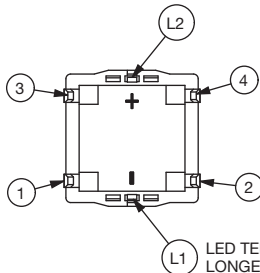
ELECTRICAL SCHEMATIC



DOT SHOWING LED COLOR IS MARKED FOR MINUS POLE SEE SCHEMATIC



P.C.B. LAYOUT



LED TERMINAL L1 IS TRIMMED LONGER THAN TERMINAL L2

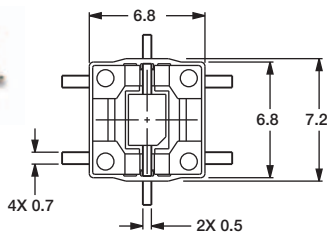
TRAY PACKAGING: 200 PIECES

NEW!

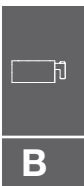
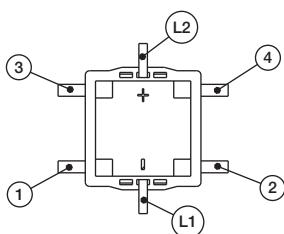
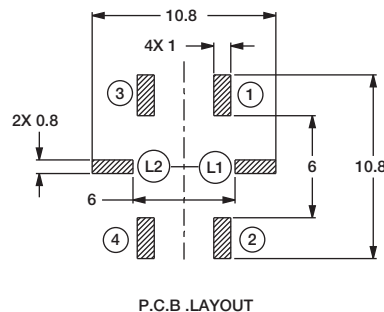
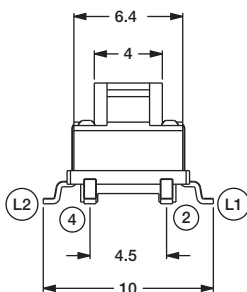
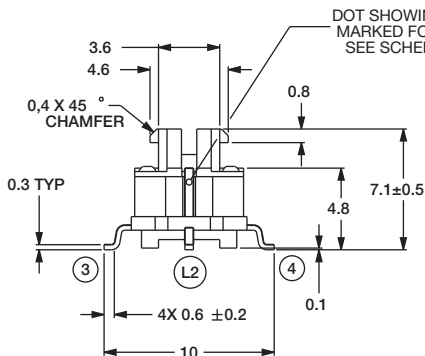
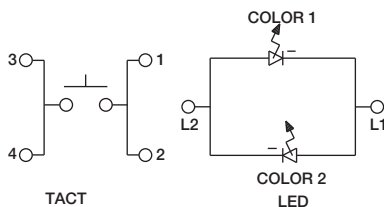
ITS Series Illuminated Tact Switch

MOUNTING STYLES

V2 - Vertical SMT; Gullwing

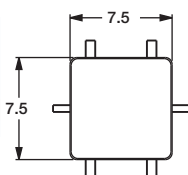


ELECTRICAL SCHEMATIC

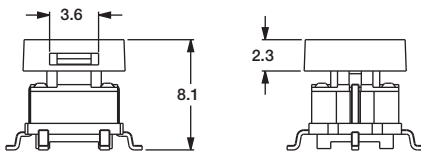


B

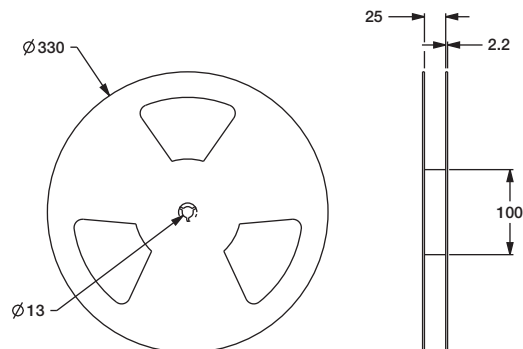
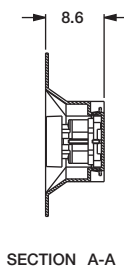
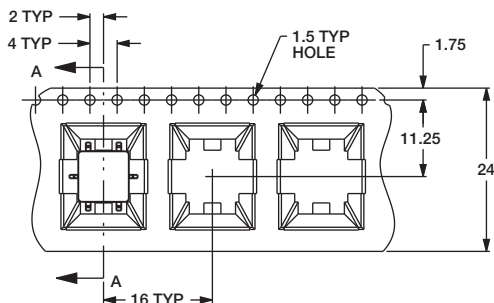
Tactile Switches



TAPE & REEL: 500 PIECES



NOTES:
1. SWITCH WITH TEMPORARY PICK AND PLACE CAP.



11 nov 13

B-91

Dimensions are shown: mm
Specifications and dimensions subject to change

www.ck-components.com

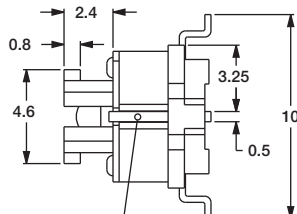
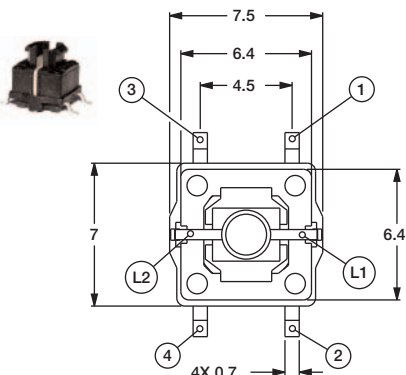
ITS Series Illuminated Tact Switch

NEW!

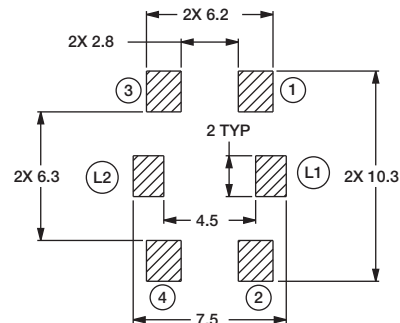
MOUNTING STYLES

V3 - Vertical SMT; Gull wing with J bend LED

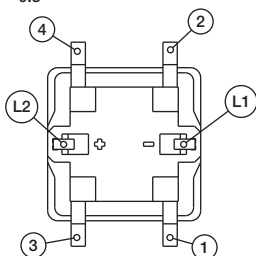
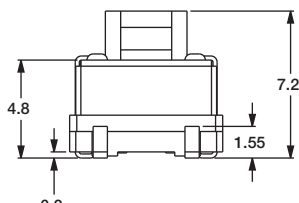
Tactile Switches



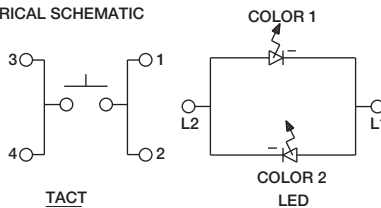
DOT SHOWING LED
COLOR IS MARKED
FOR MINUS POLE (CATHODE)
SEE SCHEMATIC



P.C.B. LAYOUT

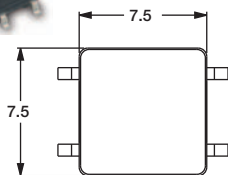


ELECTRICAL SCHEMATIC

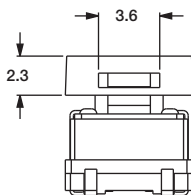
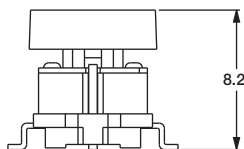


TACT

LED

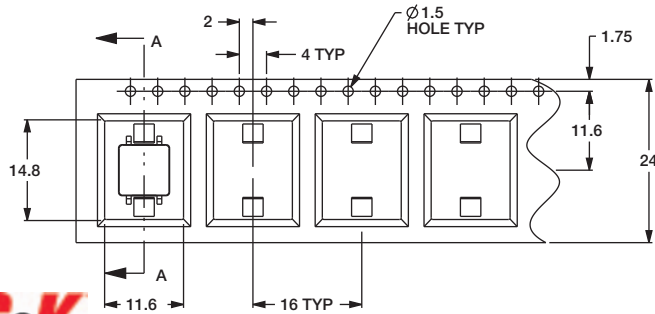


SCALE 3:1

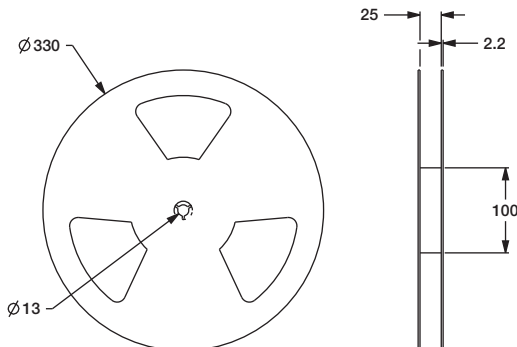
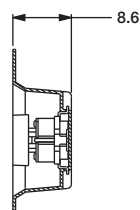


TAPE & REEL: 500 PIECES

NOTES:
1. SWITCH WITH TEMPORARY PICK AND PLACE CAP.



SECTION A-A



Dimensions are shown: mm
Specifications and dimensions subject to change

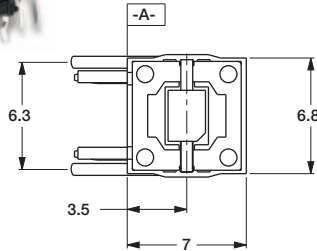
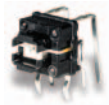


NEW!

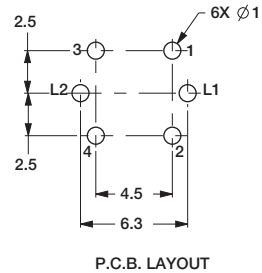
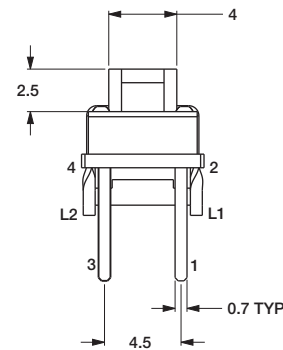
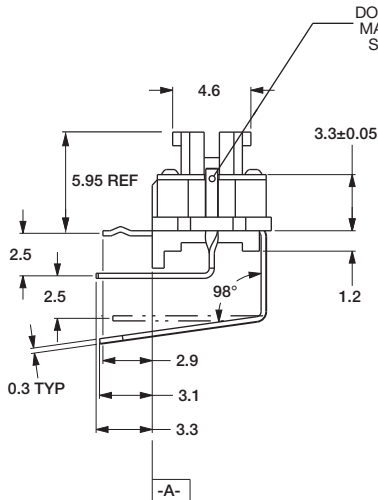
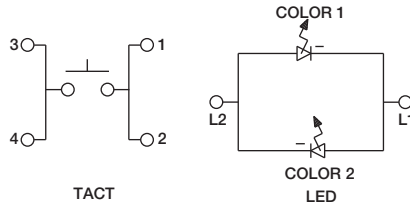
ITS Series Illuminated Tact Switch

MOUNTING STYLES

R1 - Right Angle; Thru-hole

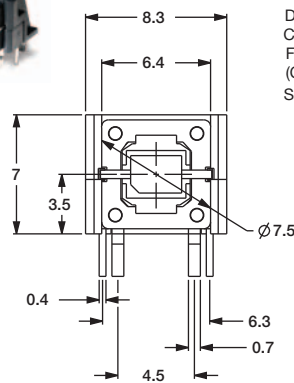


ELECTRICAL SCHEMATIC

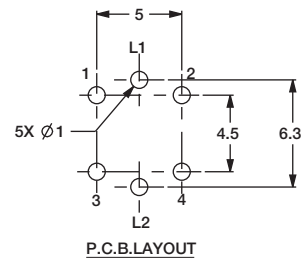
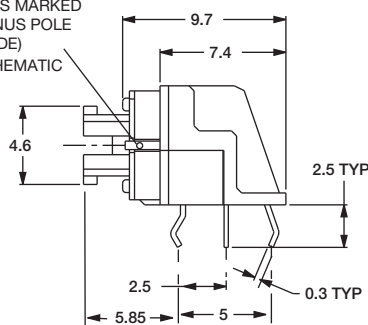


TRAY PACKAGING: 200 PIECES

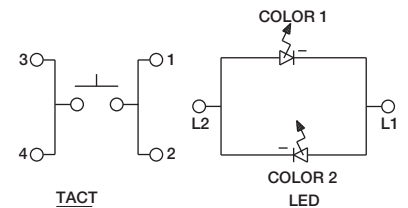
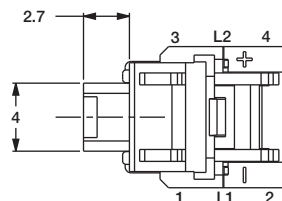
R2 - Right Angle; Thru-hole 2.5mm leads



DOT SHOWING LED COLOR IS MARKED FOR MINUS POLE (CATHODE) SEE SCHEMATIC



ELECTRICAL SCHEMATIC



TRAY PACKAGING: 200 PIECES



ITS Series Illuminated Tact Switch

NEW!

FORCE

OPTION CODE	FORCE
S	Standard 160 gf

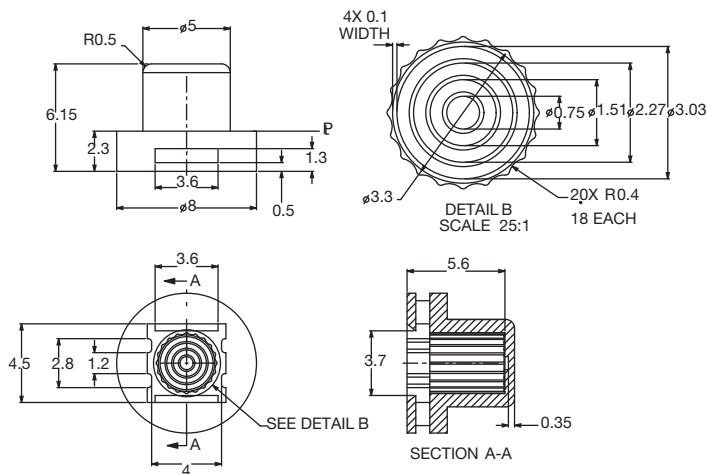
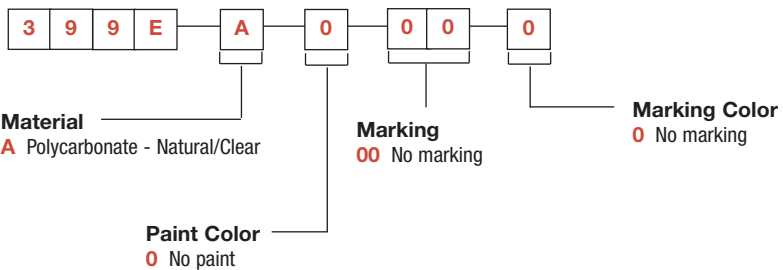
CAPS

Use the individual ordering code for each cap



399EA0000

Round cap, clear



Tactile Switches

B

NEW!

ITS Series Illuminated Tact Switch

CAPS



400EA0000

Natural/clear



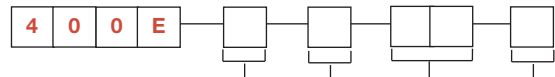
400EB0000

Translucent white, flat edge



400ECA01E

Matte silver paint laser etch, flat edge



Material

- A** Natural/Clear - polycarbonate
- B** Translucent white - polycarbonate
- C** Silver paint laser etch - polycarbonate

- Paint Color**
- 0** No paint
 - A** Matte silver

Laser Etch Marking

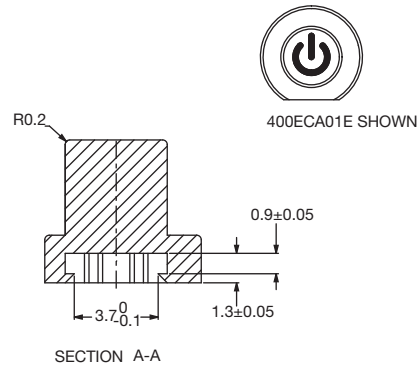
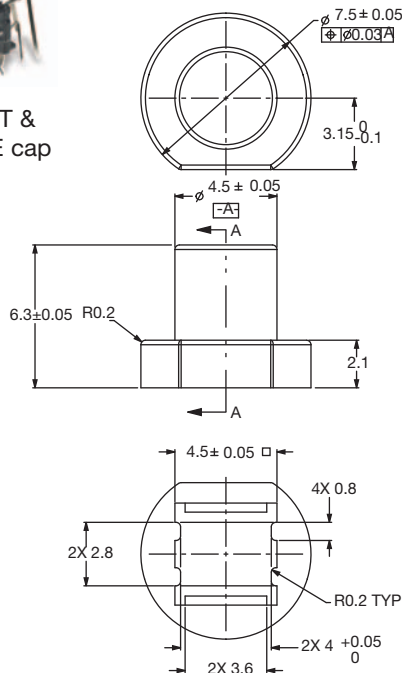
- 00** No marking
- 01** Power On/Off
- 04** Arrow right
- 05** Arrow left
- 06** Arrow up
- 07** Arrow down
- 09** Power
- 33** Arrow up (fill)
- 34** Arrow down (fill)
- 97** I/O

Marking Color

- 0** No marking
- E** Laser etch (painted caps only)



ITSXXFR1ST & 400ECA01E cap



B

Tactile Switches

ITS Series Illuminated Tact Switch

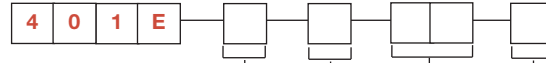
NEW!

CAPS



401ECA06E

Matte silver paint, laser etch,
tall oval



Material

- A** Natural/clear - polycarbonate
- B** Translucent white - polycarbonate
- C** Paint laser etch - polycarbonate

Paint Color

- 0** No paint
- A** Matte silver

**Laser Etch
Marking**

- 00** No marking
- 06** Arrow up
- 07** Arrow down
- 33** Arrow up (fill)
- 34** Arrow down (fill)

Marking Color

- 0** No marking
- E** Laser etch (painted caps only)



Tactile Switches

B

