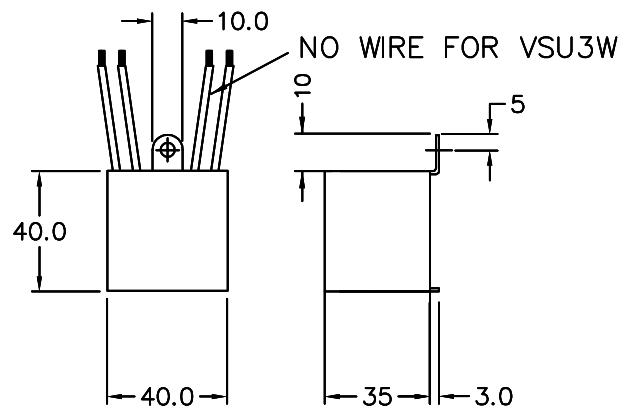
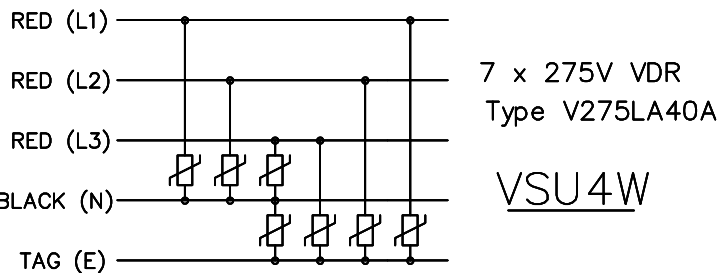
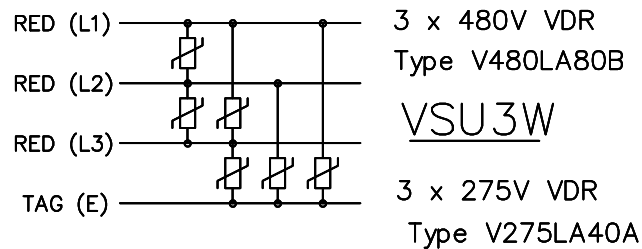


VSU 3W/4W

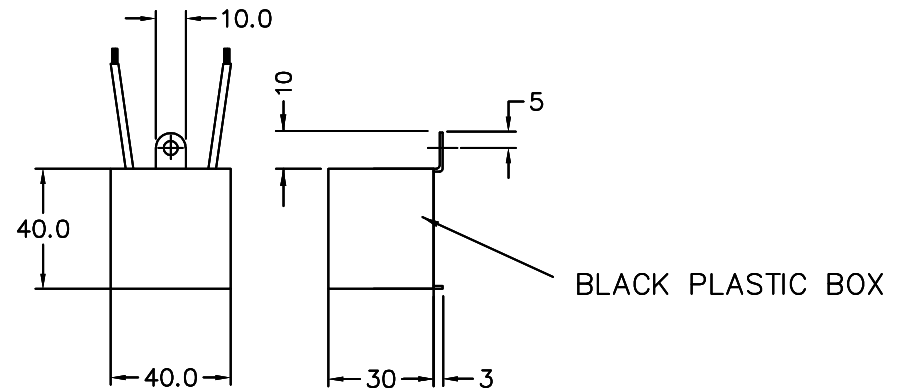


ELECTRICAL SCHEMATIC

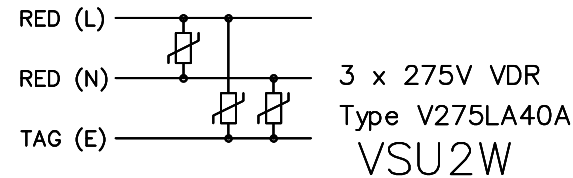


VDR are Littelfuse (formerly Harris Semiconductor) LA series

VSU 2W



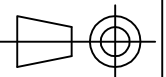
ELECTRICAL SCHEMATIC



MOUNTING: M4 SCREW

CONNECTIONS: 0.75mmSq FLYING LEADS
LENGTH = 150mm

ALL DIMENSIONS IN MM / ANGLES IN DECIMAL DEGREES



ROXBURGH ELECTRONICS LTD

TITLE VSU MECHANICAL & ELECTRICAL DETAIL

DwgNo VSU2W/3W/4W-GS

ISSUE 1

GENERAL SPECIFICATION
FOR 2, 3 & 4 WIRE VSU

CUSTOMER
REFERENCE

Sheet 1 of 1 | Aprvd Date 07/06/00 | Aprvd By NL | Drwn by SW | SCALE NTS | CNN --- | Location N: \DWG\GS\GS000101

© ROXBURGH ELECTRONICS LTD, FOXHILLS INDUSTRIAL PARK, SCUNTHORPE, NORTH LINCOLNSHIRE, DN15 8QJ TEL +44 1724 281770 F +44 1724 270230