

HARTING



Han-INOX

Stainless Steel Hoods and Housings



Features

- Stainless steel hoods and housings
- Stainless steel locking elements
- Resistant against aggressive detergents
- Fields of application
 - Food and beverage industry
 - Water and sewage industry
 - Pharmaceutical industry
 - Chemical industry
 - Offshore and shipbuilding

Technical characteristics

| | |
|---|--------------------|
| Material | stainless steel |
| Sealing | NBR |
| Limiting temperatures | -40 °C ... +125 °C |
| Protection degree in locked position | IP 65 |
| Locking lever | stainless steel |

General Informatoin

Fields of application

HARTING Industrial Connectors are applicable in a wide variety of electronic and electrical applications.

The degree of protection of all hoods and housings is in accordance with International Standard IEC 60 529.

- | | |
|-------------------------|----------------------|
| • Power Utilities | • Industrial |
| • Robotics | • Instrumentation |
| • Chemical Plants | • Conveyor Equipment |
| • Machine Tool Controls | • Transportation |
| • Injection Moulding | • and many more. |

Specifications

VDE 0110 table concerning clearance and creepage distances
 VDE 0627 Connectors and plug devices

Standards: DIN EN 175 301 - 801
 DIN EN 61 984

Approvals

UL, CSA for inserts

Note

Connectors should not be coupled and decoupled under electrical load. Connectors of the same or different series being mounted side by side may be protected against incorrect mating by the use of coding options.

General information


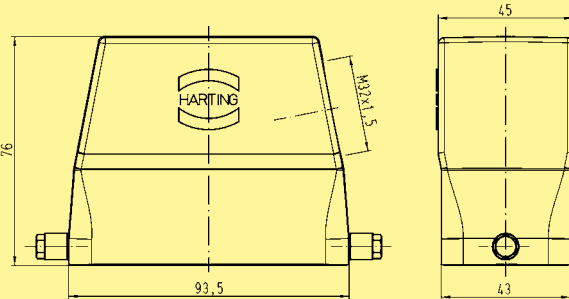

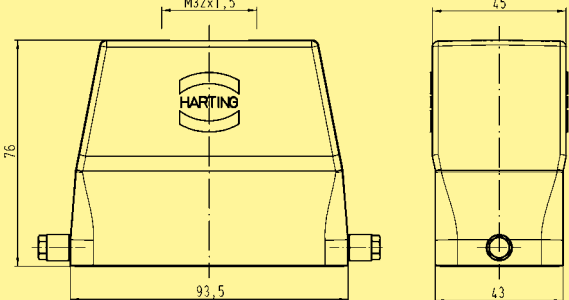

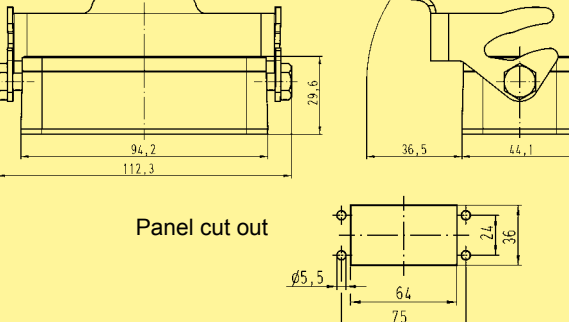
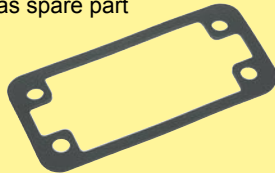


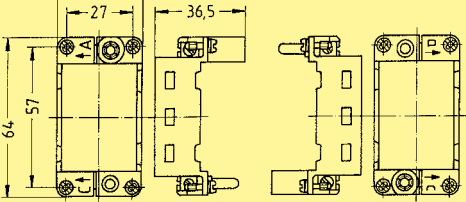
It is the user's responsibility to check whether the components illustrated in this catalogue comply with different regulations from those stated in special fields of application which we are unable to foresee.

We reserve the right to modify designs in order to improve quality, keep pace with technological advancement or meet particular requirements in production.

No part of this catalogue may be reproduced in any form (print, photocopy, microfilm or any other process) or processed, duplicated or distributed by means of electronic systems without the prior written consent of HARTING Electric GmbH & Co. KG, Espelkamp. We are bound by the German version only.

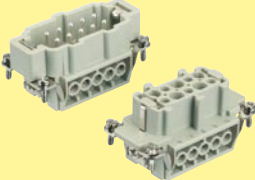

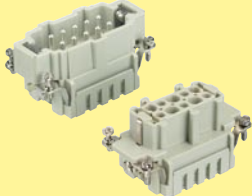


Certified according to EN ISO 9001 in design/development, production, installation and servicing

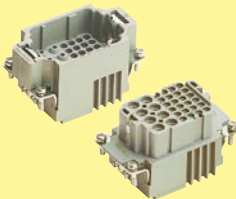


| Identification | Part-Number | M | Drawing | Dimensions in mm |
|---|--|-----------|--|------------------|
| <p>Hood side entry</p>  | <p>19 44 310 0547</p> | <p>32</p> |  | |
| <p>Hood top entry</p>  | <p>19 44 310 0447</p> | <p>32</p> |  | |
| <p>Bulkhead mounted housing with 1 metal locking lever</p>  | <p>19 44 310 0305</p> | <p>—</p> |  | |
| <p>Gasket as spare part</p>  | <p>19 44 000 9902</p> | <p>—</p> |  | |
| <p>Han-Modular® frames size 10 B</p>  <p>marking A..C marking a..c inserts see page 5</p> | <p>09 14 010 0303 09 14 010 0313</p> | <p>—</p> |  | |

Inserts size 10 B



| Series | Han E® | Han E® | Han® ES |
|--|---|--|---|
| Number of contacts | 10 + ⚡ | 10 + ⚡ | 10 + ⚡ |
| Termination | Screw terminal with wire protection | Crimp terminal | Cage clamp terminal |
| Electrical data accd. to DIN EN 61 984 |  |  |  |
| UL/CSA 600 V | | | |
| Current / voltage | 16 A / 500 V | 16 A / 500 V | 16 A / 500 V |
| Wire gauge | 1 - 2.5 mm ² | 0.5 - 4 mm ² | 0.14 - 2.5 mm ² |
| Male insert (M) | 09 33 010 2601 | 09 33 010 2602 | 09 33 010 2616 |
| Female insert (F) | 09 33 010 2701 | 09 33 010 2702 | 09 33 010 2716 |





| Series | Han® ESS | Han® EE | Han DD® |
|--|---|--|---|
| Number of contacts | 10 + ⚡ | 18 + ⚡ | 42 + ⚡ |
| Termination | Cage clamp terminal | Crimp terminal | Crimp terminal |
| Electrical data accd. to DIN EN 61 984 |  |  |  |
| UL/CSA 600 V | | | |
| Current / voltage | 16 A / 500 V | 16 A / 500 V | 10 A / 250 V |
| Wire gauge | 0.14 - 2.5 mm ² | 0.14 - 4 mm ² | 0.14 - 2.5 mm ² |
| Male insert (M) | 09 33 010 2672 | 09 32 018 3001 | 09 16 042 3001 |
| Female insert (F) | 09 33 010 2772 | 09 32 018 3101 | 09 16 042 3101 |




| Series | Han-Com® | Han® HvES | Han Hv E® |
|--|---|--|---|
| Number of contacts | 8/24 + ⚡ | 3 + ⚡ +2 add. contacts for safe high voltage conn. | 3 + ⚡ +2 add. contacts for safe high voltage conn. |
| Termination | Crimp terminal | Cage clamp terminal | Crimp terminal |
| Electrical data accd. to DIN EN 61 984 |  |  |  |
| UL/CSA 600 V Relay contact 250 V | | | |
| Current | 16 A / 10 A | 16 A | 16 A |
| Voltage | 230/400 V / 160 V | 830 V | 830 V |
| Wire gauge | 0.5-4 mm ² / 0.14 -2.5 mm ² | 0.14 -2.5 mm ² | 0.14 -4.0 mm ² |
| Male insert (M) | 09 38 032 3001 | 09 34 003 2616 | 09 34 003 2602 |
| Female insert (F) | 09 38 032 3101 | 09 34 003 2716 | 09 34 003 2702 |

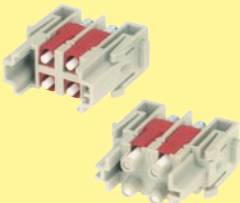



| Identification | Han® Axial Screw Module | Han® Axial Screw Module | Han® Axial Screw Module | Han® Axial Screw Module |
|--|-------------------------|-------------------------|-------------------------|-------------------------|
| Number of contacts | 1 | 2 | 2 | 3 |
| Termination | Axial screw terminal | Axial screw terminal | Axial screw terminal | Axial screw terminal |
| Electrical data accd. to DIN EN 61 984 | | | | |
| Current / voltage | 200 A / 1000 V | 100 A / 1000 V | 40 A / 1000 V | 40 A / 690 V |
| Wire gauge | 40 - 70 mm ² | 16 - 35 mm ² | 2.5 - 8 mm ² | 6 - 10 mm ² |
| Male insert (M) | 09 14 001 2662 | 09 14 002 2651 | 09 14 002 2601 | 09 14 003 2602 |
| Female insert (F) | 09 14 001 2762 | 09 14 002 2751 | 09 14 002 2701 | 09 14 003 2702 |

| Identification | Han® C Module | Han® CC Protected Mod. | Han® E Module | Han® EE Module |
|--|-------------------------|-------------------------|-------------------------|-------------------------|
| Number of contacts | 3 | 4 | 6 | 8 |
| Termination | Crimp terminal | Crimp terminal | Crimp terminal | Crimp terminal |
| Electrical data accd. to DIN EN 61 984 | | | | |
| Current / voltage | 40 A / 400/690 V | 40 A / 830 V | 16 A / 500 V | 16 A / 400 V |
| Wire gauge | 1.5 - 6 mm ² | 1.5 - 6 mm ² | 0.5 - 4 mm ² | 0.5 - 4 mm ² |
| Male insert (M) | 09 14 003 3001 | 09 14 004 3041 | 09 14 006 3001 | 09 14 008 3001 |
| Female insert (F) | 09 14 003 3101 | 09 14 004 3141 | 09 14 006 3101 | 09 14 008 3101 |

| Identification | Han® E Protected Mod. | Han® EEE Module | Han® HV Module | Han® ES Module |
|--|-------------------------|-------------------------|-------------------------|----------------------------|
| Number of contacts | 6 | 20 | 2 | 5 |
| Termination | Axial screw terminal | Axial screw terminal | Axial screw terminal | Cage clamp terminal |
| Electrical data accd. to DIN EN 61 984 | | | | |
| Current / voltage | 16 A / 830 V | 16 A / 500 V | 16 A / 2900/5000 V | 16 A / 400 V |
| Wire gauge | 0.5 - 4 mm ² | 0.5 - 4 mm ² | 0.5 - 4 mm ² | 0.14 - 2.5 mm ² |
| Male insert (M) | 09 14 006 3041 | 09 14 020 3001 | 09 14 002 3021 | 09 14 005 2616 |
| Female insert (F) | 09 14 006 3141 | 09 14 020 3101 | 09 14 002 3121 | 09 14 005 2716 |

| Identification | Han® DD Module | Han® DDD Module | Han® High Density Module | Han® D-Sub Module |
|--|---|---|--|---|
| Number of contacts | 12 | 17 | 25 | 9 |
| Termination | Crimp terminal | Crimp terminal | Crimp terminal | Crimp terminal |
| Electrical data accd. to DIN EN 61 984 |  |  |  |  |
| Current / voltage | 10 A / 250 V | 10 A / 160 V | 5 A / 50 V | 5 A / 50 V |
| Wire gauge | 0.14 - 2.5 mm ² | 0.14 - 2.5 mm ² | 0.09 - 0.56 mm ² | 0.09 - 0.56 mm ² |
| Male insert (M) | 09 14 012 3001 | 09 14 017 3001 | 09 14 025 3001 | 09 14 009 3001 |
| Female insert (F) | 09 14 012 3101 | 09 14 017 3101 | 09 14 025 3101 | 09 14 009 3101 |

| Identification | Han® Dummy Module | Han-Quintax® Module | Han® FireWire Module | Han® USB Module |
|--|---|---|--|---|
| Number of contacts | | 2 | 1 | |
| Electrical data accd. to DIN EN 61 984 |  |  |  |  |
| Current / voltage | | 5/10 A / 50 V | | |
| Wire gauge | | 1.5 - 6 mm ² | | |
| Male insert (M) | 09 14 000 9950 | 09 14 002 3001 | 09 14 001 4611 | 09 14 001 4601 |
| Female insert (F) | 09 14 000 9950 | 09 14 002 3101 | 09 14 001 4711 | 09 14 001 4701 |

| Identification | Han® SC Module | Han® Multi Contact Module | Han® Pneumatic Module | Han® Pneumatic Module |
|--------------------|---|---|--|---|
| Number of contacts | 4 | 4 | 2 | 3 |
| |  |  |  |  |
| | | Coaxial contacts F.O. contacts accd. to DIN EN 41 626 | Tube internal diameter 6 mm | Tube internal diameter 4 mm |
| Male insert (M) | 09 14 004 4701 | 09 14 004 4501 | 09 14 002 4501 | 09 14 003 4501 |
| Female insert (F) | 09 14 004 4711 | 09 14 004 4512 | 09 14 002 4501 | 09 14 003 4501 |

Han-Modular® Contacts

| Identification | SC contact | Coaxial contact | Pneumatic contact 6.0 | Pneumatic contact 4.0 |
|---|----------------|----------------------------------|--|--|
| | | | | |
| Male insert (M) Female insert (F) With shut off valve | 20 10 125 5211 | 09 14 000 6211 09 14 000 6111 | 09 14 000 6174 09 14 000 6274 09 14 000 6279 | 09 14 000 6153 09 14 000 6253 09 14 000 6258 |

Han-Quintax® Contacts

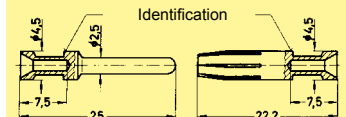
| Number of contacts | 4 | 1 | 8 |
|--------------------------------------|----------------------------------|----------------------------------|-----------------------------------|
| Identification | Han-Quintax® contact | Han D® Coax contact | Han® High Density Quintax contact |
| Order crimp contacts separately | | | |
| Wire gauge | 0.14 - 2.5 mm ² | 0.14 - 2.5 mm ² | 0.13 - 0.52 mm ² |
| Male insert (M) Female insert (F) | 09 15 004 3013 09 15 004 3113 | 09 15 001 3013 09 15 001 3113 | 09 15 008 3013 09 15 008 3113 |

Crimp Contacts

Han E® contacts (16 A)
for Han E®, Han EE®, Han®Q, Han-Modular®, Han-Com®, Han-Brid®, Han Hv E®

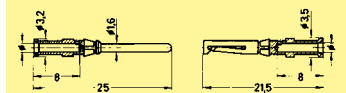
| Part-Number | | Identifica- tion | Wire gauge | |
|----------------|----------------|---------------------|-----------------|-----|
| Male contact | Female contact | | mm ² | AWG |
| 09 33 000 6121 | 09 33 000 6220 | no groove | 0.5 | 20 |
| 09 33 000 6114 | 09 33 000 6214 | 1 groove* | 0.75 | 18 |
| 09 33 000 6105 | 09 33 000 6205 | 1 groove | 1 | 18 |
| 09 33 000 6104 | 09 33 000 6204 | 2 grooves | 1.5 | 16 |
| 09 33 000 6102 | 09 33 000 6202 | 3 grooves | 2.5 | 14 |
| 09 33 000 6107 | 09 33 000 6207 | no groove | 4 | 12 |

* on the back crimp collar



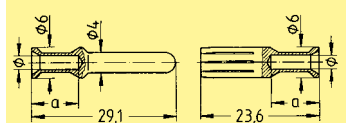
Han D® contacts (10 A)
for Han D®, Han DD®, Han-Modular®, Han-Com®

| Part-Number | | Ø mm | Wire gauge | |
|----------------|----------------|---------|-----------------|---------|
| Male contact | Female contact | | mm ² | AWG |
| 09 15 000 6104 | 09 15 000 6204 | 0.8 | 0.14-0.37 | 26 - 22 |
| 09 15 000 6103 | 09 15 000 6203 | 1.1 | 0.5 | 20 |
| 09 15 000 6105 | 09 15 000 6205 | 1.3 | 0.75 | 18 |
| 09 15 000 6102 | 09 15 000 6202 | 1.45 | 1 | 18 |
| 09 15 000 6101 | 09 15 000 6201 | 1.75 | 1.5 | 16 |
| 09 15 000 6106 | 09 15 000 6206 | 2.25 | 2.5 | 14 |



Han C® contacts (40 A)
for Han-Modular®

| Part-Number | | Ø mm | Wire gauge | |
|----------------|----------------|---------|-----------------|-----|
| Male contact | Female contact | | mm ² | AWG |
| 09 32 000 6104 | 09 32 000 6204 | 1.75 | 1.5 | 16 |
| 09 32 000 6105 | 09 32 000 6205 | 2.25 | 2.5 | 14 |
| 09 32 000 6107 | 09 32 000 6207 | 2.85 | 4 | 12 |
| 09 32 000 6108 | 09 32 000 6208 | 3.5 | 6 | 10 |



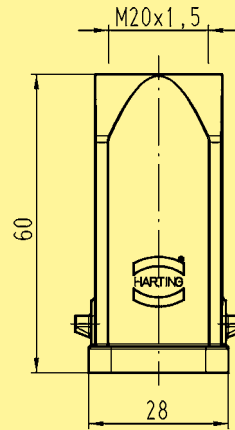
| Identification | Part-Number | M | Drawing | Dimensions in mm |
|----------------|-------------|---|---------|------------------|
|----------------|-------------|---|---------|------------------|

Hood

top entry
with glued sealing

19 44 003 1440
19 44 003 1443

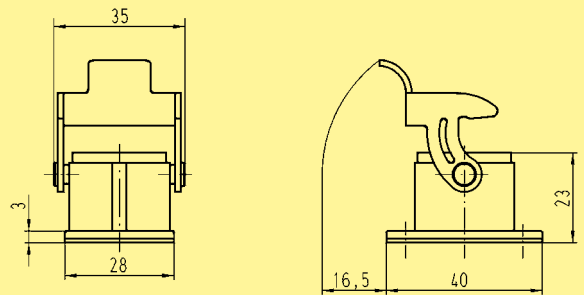
M20
M20



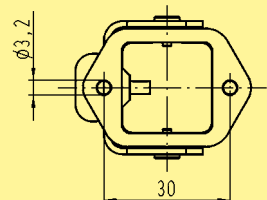
Bulkhead mounted housing
with 1 metal locking lever

19 44 003 0301

—









Panel cut out
22 x 22 mm







Inserts size 3 A






| Series | Han-Brid® RJ45 C | Han-Brid® RJ45 C | Han-Brid® RJ45 C |
|---|---|--|---|
| Number of contacts | 2/4 + ⚡ | 2/8 + ⚡ | 2/8 + ⚡ |
| Identification | HARTING RJ Industrial® | RJ45 | RJ45 |
| Electrical data accd. to DIN EN 61 984 Han D® contacts |  |  |  |
| Current / voltage Han D® Wire gauge | 10 A / 50 V 0.14 - 2.5 mm ² | 10 A / 50 V 0.14 - 2.5 mm ² | 10 A / 50 V 0.14 - 2.5 mm ² |
| Male insert (M) Female insert (F) | 09 12 003 3011 | 09 12 003 3021 | 09 12 003 3031 |




| Series | Han-Brid® RJ45 C | Han-Brid® RJ45 C | Han-Brid® RJ45 C |
|---|---|--|---|
| Number of contacts | 2/8 | 2/8 | 2/4 |
| Identification | Panel feed through, straight | Panel feed through, angled | Latching part / panel feed through 4-wires |
| Electrical data accd. to DIN EN 61 984 Han D® contacts |  |  |  |
| Current / voltage Han D® Wire gauge | 10 A / 50 V 0.14 - 2.5 mm ² | 10 A / 50 V 0.14 - 2.5 mm ² | 10 A / 50 V 0.14 - 2.5 mm ² |
| Male insert (M) Female insert (F) | 09 12 003 2774 | 09 12 003 2776 | 09 12 003 2770 |

| Series | Han-Brid® Cu | Han-Brid® Cu | Han-Brid® Cu | Han-Brid® Cu |
|--|---|---|--|---|
| Number of contacts | 4/2 | 4/2 | 4/2 | 4/2 |
| Identification | Cable side | Device side | Panel feed through with cage clamp terminal | Latching part Panel feed through |
| Electrical data accd. to DIN EN 61 984 |  |  |  |  |
| Current / voltage Wire gauge | 10 A / 25 V 0.14 - 2.5 mm ² | 10 A / 25 V 0.14 - 2.5 mm ² | 10 A / 25 V 0.14 - 2.5 mm ² | 10 A / 25 V 0.14 - 2.5 mm ² |
| Male insert (M) Female insert (F) | 09 12 006 3111 09 12 006 3001 | 09 12 006 2611 09 12 006 2701 | 09 12 006 2695 09 12 006 2795 | 09 12 006 2694 09 12 006 2794 |

Inserts size 3 A



| Series | Han® 8 D | Han A® | Han A® |
|--|---|--|---|
| Number of contacts | 8 | 3 + ⊕ | 4 + ⊕ |
| Termination | Crimp terminal | Screw terminal | Screw terminal |
| Electrical data accd. to DIN EN 61 984 |  |  |  |
| UL/CSA 600 V | | | |
| Current / voltage | 10 A / 50 V | 10 A / 230/400 V | 10 A / 230/400 V |
| Wire gauge | 0.14 - 2.5 mm ² | 0.14 - 2.5 mm ² | 0.14 - 2.5 mm ² |
| Male insert (M) | 09 36 008 3001 | 09 20 003 2611 | 09 20 004 2611 |
| Female insert (F) | 09 36 008 3101 | 09 20 003 2711 | 09 20 004 2711 |

| Series | Han® Q | Han® Q | Han® Q |
|--|---|--|---|
| Number of contacts | 5 + ⊕ | 7 + ⊕ | 2 + ⊕ |
| Termination | Crimp terminal | Crimp terminal | Axial screw terminal |
| Electrical data accd. to DIN EN 61 984 |  |  |  |
| UL/CSA 600 V | | | |
| Current / voltage | 16 A / 230/400 V | 10 A / 400 V | 40 A / 400 V |
| Wire gauge | 0.14 - 2.5 mm ² | 0.14 - 2.5 mm ² | 4 - 6 mm ² |
| Male insert (M) | 09 12 005 3001 | 09 12 007 3001 | 09 12 002 2652 |
| Female insert (F) | 09 12 005 3101 | 09 12 007 3101 | 09 12 002 2752 |

| Series | Staf® 6 | Staf® 6 | Han® 3 A SC |
|--|---|--|---|
| Number of contacts | 6 | 6 | 4 |
| Termination | Solder terminal | Screw terminal | |
| Electrical data accd. to DIN EN 61 984 |  |  |  |
| UL/CSA 50 V | | | |
| Current / voltage | 10 A / ~25 V/-60 V | 10 A / ~25 V/-60 V | |
| Wire gauge | 2.5 mm ² | 1.5 mm ² | |
| Male insert (M) | 09 70 006 2812 | 09 70 006 2813 | 09 20 004 4711 |
| Female insert (F) | 09 70 006 2615 | 09 70 006 2616 | 09 20 004 4701 |

Subsidiary companies – worldwide



Austria
HARTING Ges. m. b. H.
Deutschstraße 3, A-1230 Wien
Phone +43 1/6 16 21 21; Fax +43 1/6 16 21 21-21
E-Mail: at@HARTING.com

Belgium
HARTING N.V./S.A.
Z.3 Doornveld 23, B-1731 Zellik
Phone +32 2/4 66 01 90; Fax +32 2/4 66 78 55
E-Mail: be@HARTING.com; Internet: www.HARTING.be

Brazil
HARTING Ltda.
Av. Dr. Lino de Moraes, Pq. Jabaquara, 255
CEP 04360-001 - São Paulo - SP - Brazil
Phone +55 11/50 35-00 73; Fax +55 11/50 34 - 47 43
E-Mail: br@HARTING.com
Internet: www.HARTING.com.br

China
Zhuhai HARTING; Limited Shanghai branch
Room 5403, 300 Huaihai Zhong Road
Hong Kong New World Tower
Luwan District, P.R.C; Shanghai 200021, China
Phone +86 21 - 63 86 22 00; Fax +86 21 - 63 86 86 36
E-Mail: cn@HARTING.com

Czech Republic
HARTING spol. s.r.o.
Mlýnská 2, 160 00 Praha 6
Phone +420 220 380 460; Fax +420 220 380 461
E-Mail: cz@HARTING.com; Internet: www.HARTING.cz

Finland
HARTING Oy
Teknobulevardi 3-5, PL 35, FI-01530 Vantaa
Phone +358 9 350 87 300; Fax +358 9 350 87 320
E-Mail: fi@HARTING.com

France
HARTING France
181 avenue des Nations, Paris Nord 2
BP 66058 Tremblay en France
F-95972 Roissy Charles de Gaulle Cédex
Phone +33 1 49 38 34 00; Fax +33 1 48 63 23 06
E-Mail: fr@HARTING.com

Germany
HARTING Deutschland GmbH & Co. KG
Postfach 2451 · D-32381 Minden
Simeons carré 1 · D-32427 Minden
Phone (05 71) 88 96 -0; Fax (05 71) 88 96 -2 82
E-Mail: de@HARTING.com
Internet: www.HARTING.com

Office Germany
HARTING Deutschland GmbH & Co. KG
Blankenauer Straße 99; D-09113 Chemnitz
Phone +49 0371 429211; Fax +49 0371 429222
E-Mail: de@HARTING.com

Great Britain
HARTING Ltd.
Caswell Road; Brackmills Industrial Estate
GB-Northampton, NN4 7PW
Phone +44 16 04/76 66 86, 82 75 00
Fax +44 16 04/70 67 77
E-Mail: gb@HARTING.com
Internet: www.HARTING.co.uk

Hong Kong
HARTING (HK) Limited, Regional Office Asia Pacific
4208 Metroplaza Tower 1; 223 Hing Fong Road
Kwai Fong, N. T., Hong Kong
Phone +852/24 23-73 38; Fax +852/24 80-43 78
E-Mail: ap@HARTING.com
Internet: www.HARTING.com.hk

Hungary
HARTING Eastern Europe GmbH
Magyarországi Kereskedelmi Képviselete
1119 Budapest; Fehérvári út 89-95, II. emelet 217/A.
Phone +36-1-205 3464; Fax +36-1-205 3465
E-Mail: hu@HARTING.com; Internet: www.HARTING.hu

India
HARTING India Pvt. Ltd.
D4, Doshi Towers; 156 Poonamallee High Rd.
Kilpauk, Chennai - 600 010, INDA
Tel. +91 44 43560415; Fax +91 44 4356 0417
pushpendra.singh@HARTING.com; www.HARTING.com

Italy
HARTING SpA
Via Dell' Industria 7; I-20090 Vimodrone (Milano)
Phone +39 02/25 08 01; Fax +39 02/2 65 05 97
E-Mail: it@HARTING.com

Japan
HARTING K. K.
Yusen Shin-Yokohama 1 Chome Bldg., 2F
1-7-9, Shin-Yokohama; Kohoku-ku, Yokohama
222-0033 Japan
Phone +81 45 476 3456; Fax: +81 45 476 3466
E-Mail: jp@HARTING.com
Internet: www.HARTING.co.jp

Korea
HARTING Korea Limited
#308 Leaders Bldg., 342-1, Yatap-dong, Bundang-gu,
Sungnam-City, Kyunggi-do, 463-828, Korea
Phone +82-31-781-4615; Fax +82-31-781-4616
E-Mail: kr@HARTING.com

Netherlands
HARTING B.V.
Larenweg 44; NL-5234 KA 's-Hertogenbosch
Postbus 3526; NL-5203 DM 's-Hertogenbosch
Phone +31 73/641 04 04
Fax +31 73/644 06 99
E-Mail: nl@HARTING.com

Norway
HARTING A/S,
Østensjøveien 36, N-0667 Oslo,
Phone +47 22/70 05 55
Fax +47 22/70 05 70
E-Mail: no@HARTING.com

Poland
HARTING Eastern Europe GmbH
Przedstawicielstwo w Polsce
ul. Kamieńskiego 201-219
51-126 Wrocław
Phone +48 71-352 81 71; Fax +48 71-320 74 44
E-Mail: pl@HARTING.com; Internet: www.HARTING.pl

Portugal
HARTING Iberia, S. A.
Avda. Josep Tarradellas, 20-30, 4º 6ª
E-08029 Barcelona
Phone +351.219.673.177; Fax +351.219.678.457
E-Mail: es@HARTING.com

Russia
HARTING ZAO
ul. Tobolskaja 12, Saint Petersburg 194044 Russia
Phone +7/8 12/327 64 77; Fax +7/8 12/327 64 78
E-Mail: ru@HARTING.com
Internet: www.HARTING.ru

Singapore
HARTING Singapore Pte Ltd.
No. 1 Coleman Street; #B1-21 The Adelphi
Singapore 179803
Phone +656 225 52 85; Fax +656 225 99 47
E-Mail: sg@HARTING.com

Spain
HARTING Iberia S.A.
Josep Tarradellas 20-30 4º 6ª; E-08029 Barcelona
Phone +34 933 638 475; Fax +34 934 199 585
E-Mail: es@HARTING.com

Sweden
HARTING AB
Gustavslundsvägen 141 B 4tr; 167 51 Bromma
Phone +46 8/4 45 71 71; Fax +46 8/4 45 71 70
E-Mail: se@HARTING.com

Switzerland
HARTING AG
Industriestrasse 26; CH-8604 Volketswil
Phone +41 44 908 20 60; Fax +41 44 908 20 69
E-Mail: ch@HARTING.com

Taiwan
HARTING R.O.C. Limited
Room 1, 5th Floor, No. 495, GuangFu South Road
Taipei, 110 Taiwan
Phone +886-2-2758-61 77
Fax +886-2-2758-71 77
E-Mail: tw@HARTING.com

USA
HARTING Inc. of North America
1370 Bowes Road; Elgin, Illinois 60123
Phone +1 (877) 741-1500 (toll free)
Fax +1 (866) 278-0307 (Inside Sales)
Fax +1 (847) 717-9430 (Sales and Marketing)
E-Mail: us@HARTING.com
Internet: www.HARTING-USA.com

Eastern-Europe
HARTING Eastern Europe GmbH
Bamberger Straße 7; D-01187 Dresden
Phone +49 351 / 4361760
Fax +49 351 / 4361770
E-Mail: Eastern.Europe@HARTING.com

Other countries
HARTING Electric GmbH & Co. KG
P.O. Box 14 73, D-32328 Espelkamp
Phone +49 57 72/47- 97 100
Fax + 49 57 72/47- 4 95
E-Mail: electric@HARTING.com

Distributors – worldwide



Farnell InOne
www.farnellinone.com;
in US: Newark InOne: www.newarkinone.com

RS Components
www.rs-components.com;
in US: Allied Electronics: www.alliedelec.com

Representatives – worldwide



Argentina
Condelectric S.A.
Hipólito Yrigoyen 2591
(B1640HFY) Martínez, Buenos Aires
Phone + Fax +54 11 4836-1053
E-Mail: info@condelectric.com.ar

Bulgaria COMET ELECTRONICS
16, Tsar Samuil Str., BG-1000 Sofia
Phone +359-2-9155800; Fax +359-2-9540384
E-Mail: office@comet.bg; Internet: www.comet.bg

Canada Chartwell Electronics Inc.
140 Duffield Drive; Markham; Ontario L6G 1B5
Phone +1 905-513-7100; Fax +1 905-513-7101
Toll Free +1 877-513-7769; www.chartwell.ca

Denmark Knud Wexøe A/S
Skættekaeret 11, P.O. Box 152; DK-2840 Holte
Phone +45 45 46 58 00; Fax +45 45 46 58 01
E-Mail: wexoe@wexoe.dk
Internet: www.wexoe.dk

Estonia SKS-tehnika Oü
Mustamäe tee 55, EE-10621 Tallinn
Phone +372 6819 234; Fax +372 6819 235
E-Mail: peeter.kuus@sksf.fi

Finland SKS-automaatio OY
Martinkyläntie 50, FIN-01721 Vantaa
Phone +358 9 852 6611; Fax +358 9 852 68 20
E-Mail: automaatio@sksf.fi

Hungary Mile Kft.
Mádi u. 52, H-1104 Budapest
Phone +36-1-431-9800; Fax +36-1-431-9817
E-Mail: milekft@mile-kft.hu
Internet: www.mile-kft.hu

Iceland Smith & Norland
Nóatún 4, IS - 105 Reykjavik
Phone +354 520 3000; Fax +354 520 3011
E-Mail: olaf@sminor.is; Internet: www.sminor.is

Israel MIGVAN
Technologies & Engineering Ltd.
13 Hashiloah St., P.O.Box 7022
IL - Petach Tikva 49170
Phone +972 3 9240784; Fax +972 3 9240787
E-Mail: info@mte.co.il; Internet: www.mte.co.il

Poland Soyter Sp. z o. o.
ul. Warszawska 3, 05-082 Warszawa - Stare Babice
Phone +48 22 722 0 685; Fax +48 22 722 0 550
E-Mail: handlowy@soyter.com.pl
Internet: www.soyter.com

South-Africa Helleman Tyton Pty Ltd.,
Private Bag X158 Rivonia 2128
34 Milky Way Avenue; Linbro Business Park 2065
Johannesburg, South Africa
Phone +27 (0)11 879-6600; Fax +27 (0)11 879-66 06
E-Mail: sales.jhb@helleman.co.za

Switzerland Distrelec AG
Grabenstrasse 6, CH-8606 Nänikon
Phone +41 1 944 99 11; Fax +41 1 944 99 88
E-Mail: info@distrelec.com
Internet: www.distrelec.com

Turkey Gökhan Elektrik San. Tic. Ltd. Sti.
Perpa Elektrikçiler Is Merkezi A Blok
Kat:7-8-9 No.694; TR - 80270 Okmeydanı/Istanbul
Phone +90 (212) 221 32 36 (pbx)
Fax +90 (212) 221 32 40
E-Mail: gokhan@gokhanelektrik.com
Internet: www.gokhanelektrik.com

Ukraine Incomtech Ltd.
4 Lermontovskaya St., UA-04050 Kiev
Phone +380-44-213-3641; Fax +380-44-213-3814
E-Mail: eletech@incomtech.com.ua
Internet: www.incomtech.com.ua

Global Business Unit Electric



HARTING Electric GmbH & Co. KG
P.O. Box 14 73
D-32328 Espelkamp
Phone +49 57 72/47-97 100
Fax +49 57 72/47-4 95
E-Mail: HARTING.electric@HARTING.com
Internet: www.HARTING.com



People | Power | Partnership

www.HARTING.com