

Data Sheet

AJS58B, 10P/8C

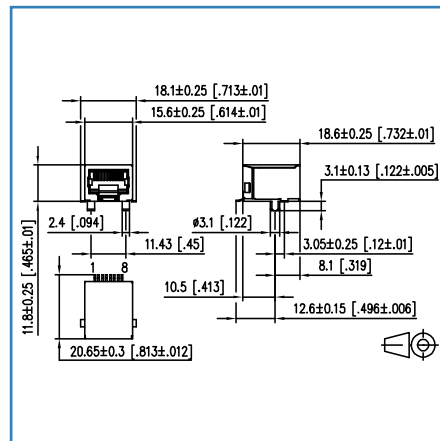
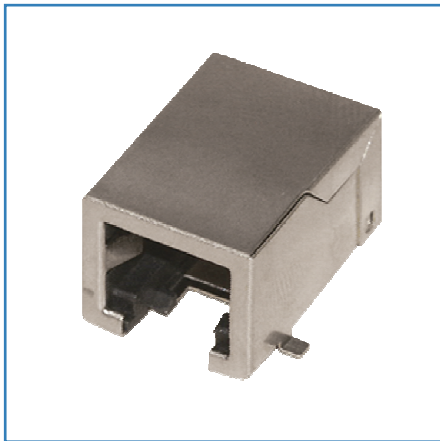
Page 1/2

Part No.
AJS55BA811

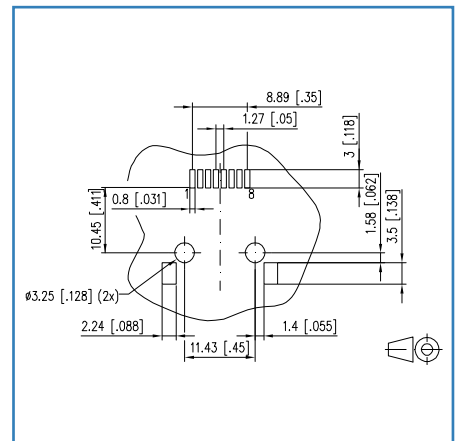
2013-11-20

Illustrations

Dimensions



PCB layout



see enlarged drawings at the end of document

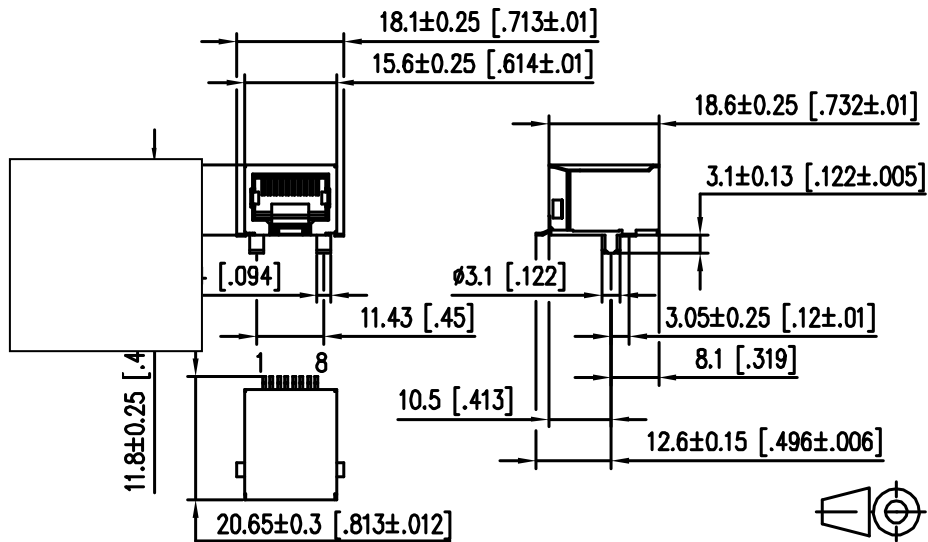
Product Information

- PC board jack RJ45, shielded
- single port, side entry, with 8 contacts
- solderable (SMT), color metal
- L x W x H: 18.60 x 15.60 x 11.80 mm
- bottom latch

Technical Data

Soldering method	SMT
Rated voltage max.	150 V
Rated Current	1 A
Contact resistance	50 mOhms
Insulation resistance	500 MOhms
Dielectrical Withstanding Voltage between contacts	1000 Vrms
between contacts and shield	1500 Vrms
Contact material	CuSn
Contact surface	gold flash
Shield material	copper alloy
Shield surface	Ni
Mating force max.	22.55 N
Durability plug cycles	<= 750
Insulation material	PBT, UL94V-0
Insulation color	black
Operating Temperature	-40 °C to 85 °C
Type of protection	IP20

Dimensions



Wiring

