

Data Sheet

AJT44L, 8P/8C

Page 1/3

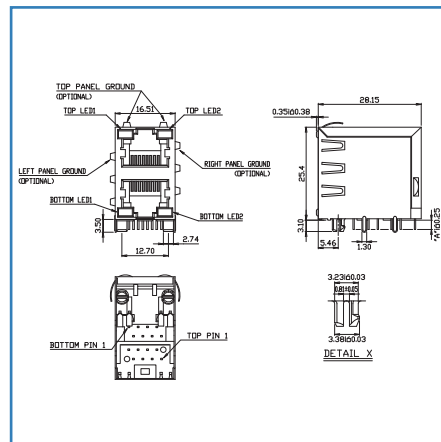
Part No.
AJT44L8821-014

2013-12-23

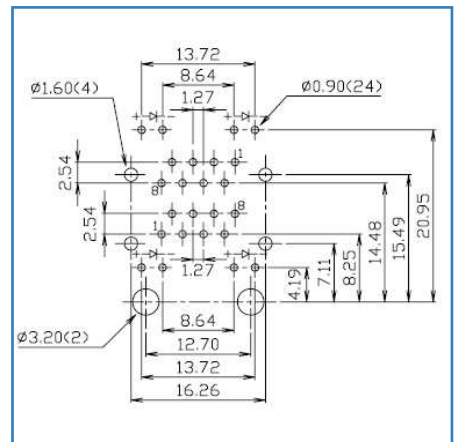
Illustrations



Dimensions



PCB layout



see enlarged drawings at the end of document

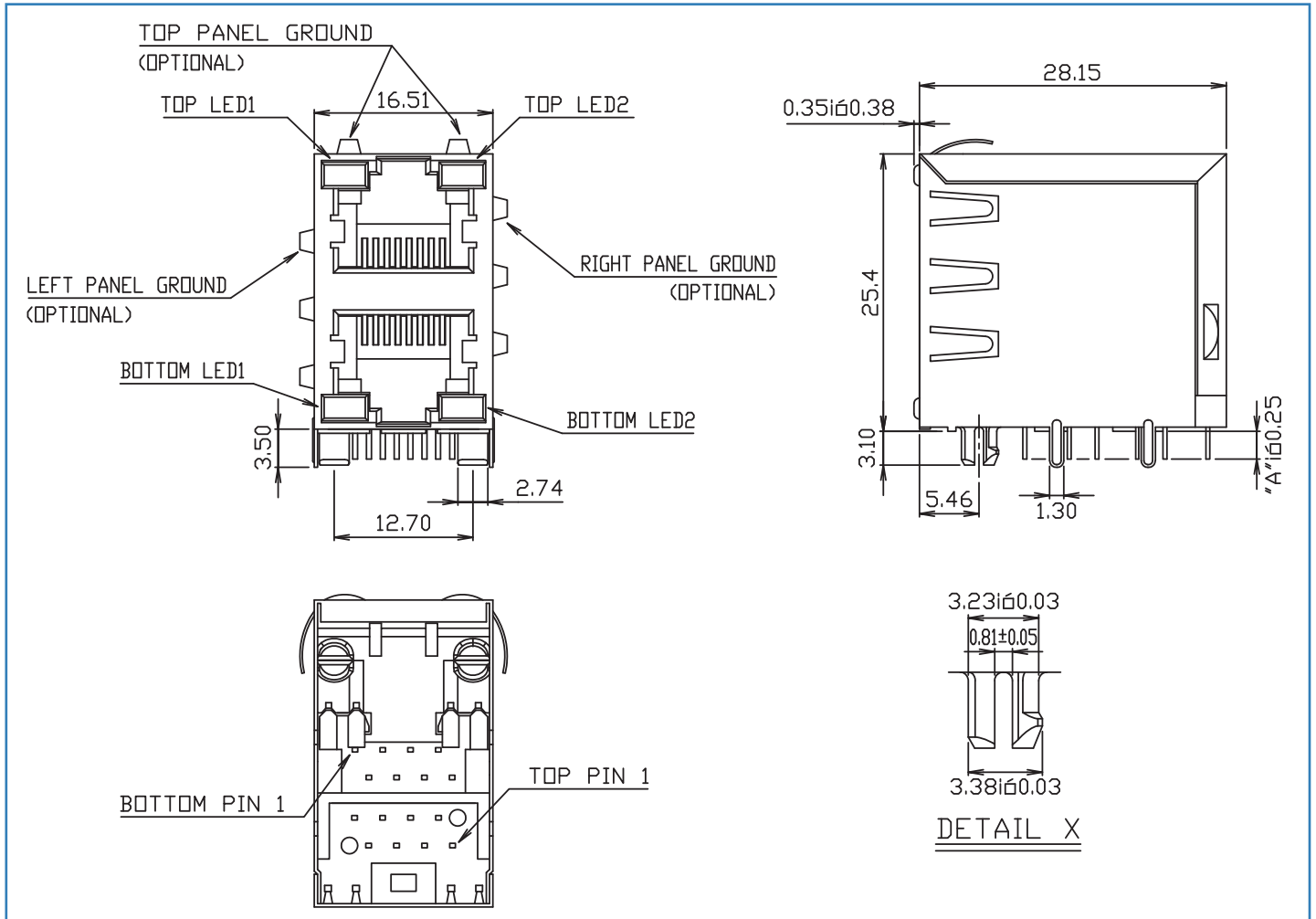
Product Information

- PC board jack RJ45, shielded
- multi port 2x1, side entry, with 8 contacts
- solderable, color metal
- L x W x H: 28.15 x 16.51 x 25.4 mm
- LED, yellow / green

Technical Data

Soldering method	THT
Rated voltage max.	150 V
Rated Current	1 A
Contact resistance	50 mOhms
Insulation resistance	500 MOhms
Dielectrical Withstanding Voltage between contacts	1000 Vrms
between contacts and shield	1500 Vrms
Contact material	CuSn
Contact surface	Gold flash 6 μ"
Shield material	copper alloy
Shield surface	Ni
Mating force max.	22.55 N
Durability plug cycles	<= 750
Insulation material	PBT, UL94V-0
Insulation color	black
Operating Temperature	-40 °C to 85 °C
Type of protection	IP20
LED 1 / LED 2	yellow / green

Dimensions



PCB layout

