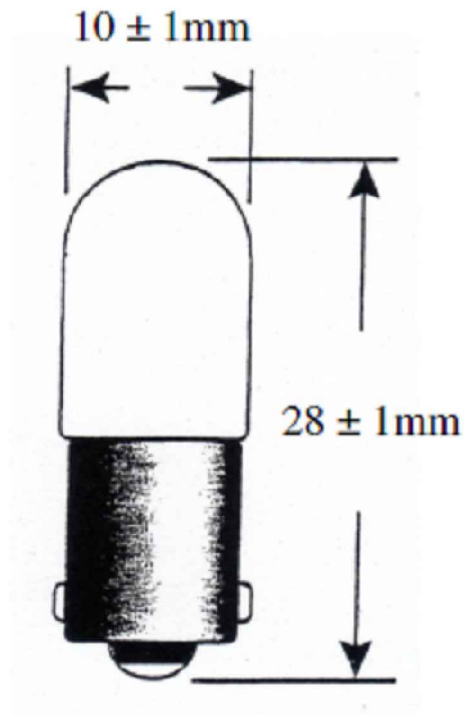


CUSTOMER	MCM	FILE NO.	25-020
----------	-----	----------	--------

THIS DRAWING AND SPECIFICATIONS, HEREIN ARE THE CONFIDENTIAL PROPERTY OF SAMAR AND SHALL NOT BE REPRODUCED OR COPIED OR DISCLOSED IN WHOLE OR IN PART WITHOUT WRITTEN PERMISSION.

REV.	DESCRIPTION	DRAWN / DATE	APPROVED / DATE
0	INITIAL RELEASE	FROS 05/16/2014	FROS 05/16/2014



NOTE:

1. RATED VOLTAGE: 6.3V
2. CURRENT: 150mA ±10%
3. LIFE GUARANTEED: 1500HRS
4. BULB: $\phi 10 \pm 1$ mm
5. BASE: BA9S

DIMENSIONS ARE IN mm [INCH]		TOLERANCES ARE FRACTIONS DECIMALS ANGLES		MATERIAL		P/N 25-020		DRAWN FROS		DATE 05/16/2014	
MOLD NO.		.x ± 0.20 [0.008] .xx ± 0.12 [0.005]		FINISH		PROJECT NO.					
25-020				COLOR		SCALE N/A		SIZE A4		SHEET 1 OF 1	
						BAYONET LAMP 6.3V 150mA		ML023			