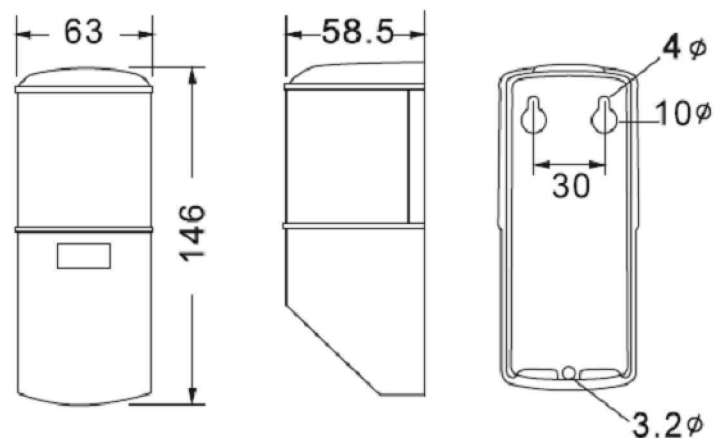
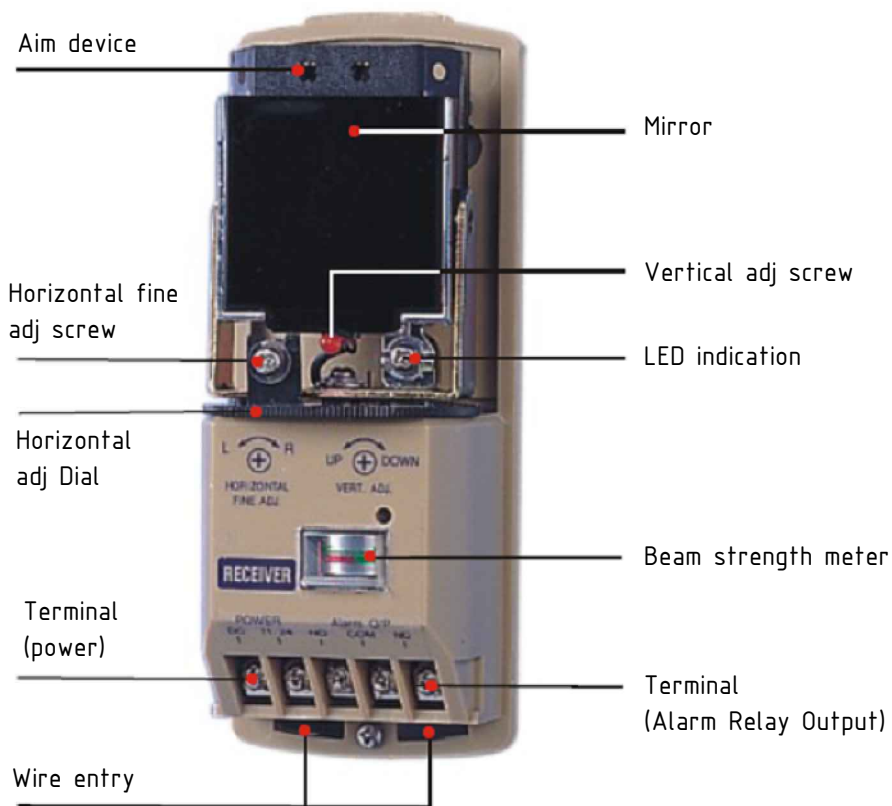


CUSTOMER	MCM	FILE NO.	82-980
----------	-----	----------	--------

THIS DRAWING AND SPECIFICATIONS, HEREIN ARE THE CONFIDENTIAL PROPERTY OF SAMAR AND SHALL NOT BE REPRODUCED OR COPIED OR DISCLOSED IN WHOLE OR IN PART WITHOUT WRITTEN PERMISSION.

REV.	DESCRIPTION	DRAWN / DATE	APPROVED / DATE
0	INITIAL RELEASE	FROS 07/14/2014	FROS 07/14/2014



Notes:

- Alarm distance (Outdoor): 30m
- Light source: LED (Light-emitting diode)
- Infrared rags used: Wavelength 9400, modulated frequency 500Hz
- Response time: 50-100 msec
- Aim adjustment: Horizontal $\pm 90^\circ$, Vertical $\pm 7^\circ$
- Alarm signal: Form C relay, dry contact, 1A/120VAC, 2A/24VDC (resistor load)
- Input power: DC11 ~ 24V, AC10 ~ 20V
- Power Consumption: 40mA
- Operation Temperature: $-20^\circ\text{C} \sim +50^\circ\text{C}$
- Place of installation: Indoor, Outdoor
- Weight: 400g

DIMENSIONS ARE IN mm [INCH]	TOLERANCES ARE FRACTIONS DECIMALS ANGLES	MATERIAL
MOLD NO.	.x ± 0.20 [0.008] .xx ± 0.12 [0.005]	FINISH
82-980		COLOR



Infrared Beam Sensor 30M

P/N	82-980	DRAWN	FROS	DATE	07/14/2014
PROJECT NO.					
SCALE	N/A	SIZE	A4	SHEET	1 OF 1
					ML049