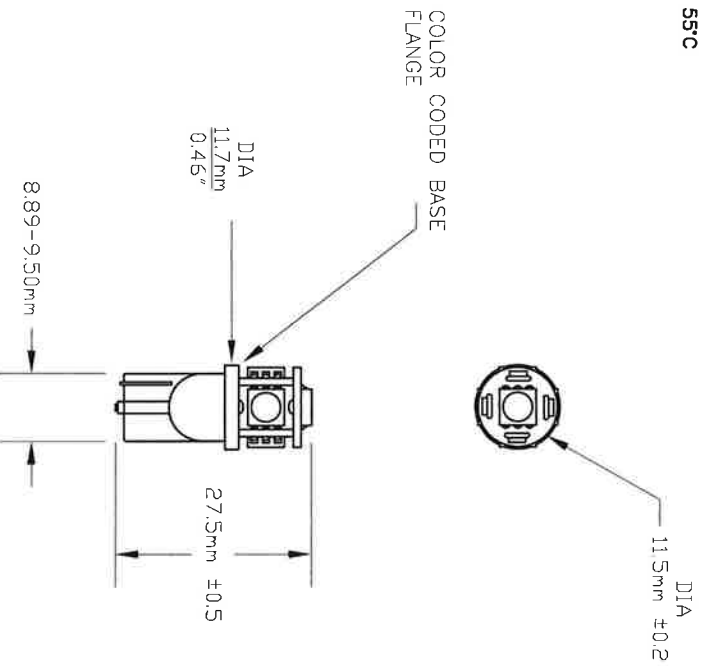


PART NO.	BASE TYPE	DESIGN VOLTS	DESIGN AMPS	WATTS
SEE BELOW	T3-1/4 WEDGE	12VDC	60mA	0.85

TESTING VOLTAGE: 14V  
 OPERATING TEMPERATURE: -30 TO 55°C



PART NUMBER	COLOR	LUMENS
L12V-WB-W	WHITE	35-40
L12V-WB-WW	WARM WHITE	35-40
L12V-WB-A	AMBER	9.8-11
L12V-WB-B	BLUE	4.5-5
L12V-WB-G	GREEN	27-30
L12V-WB-R	RED	6.5-8

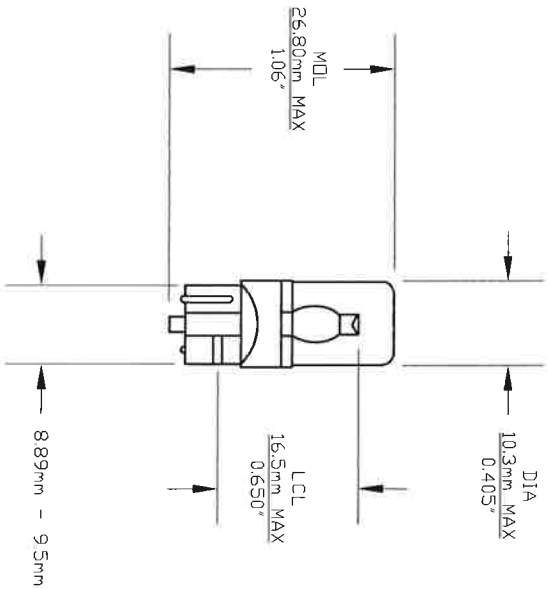
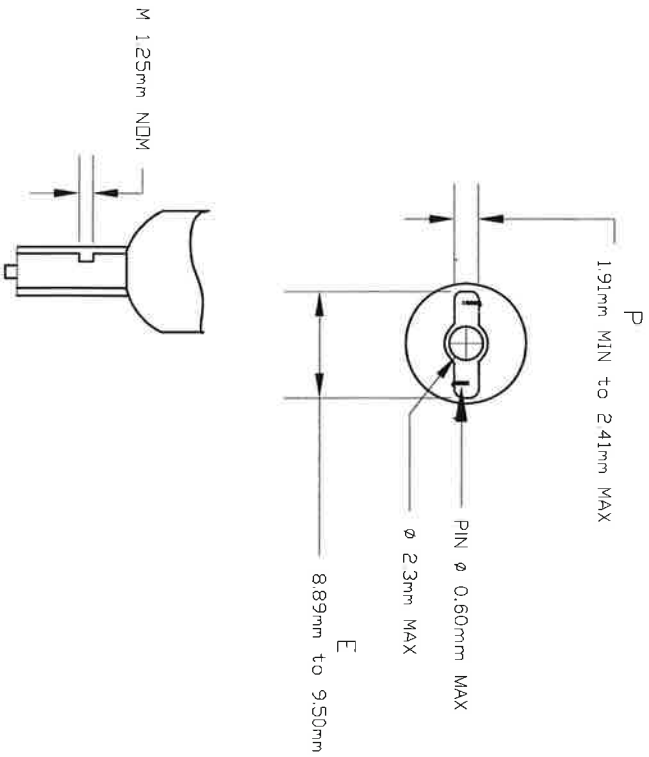
*DISCONTINUE*  
*AVAILABLE*  
*DISCONTINUE*  
*DISCONTINUE*  
*DISCONTINUE*  
*AVAILABLE*

REVISIONS			
REV	DESCRIPTION	DATE	APPROVED
1	ISSUED	09/27/2010	D.C.

UNLESS OTHERWISE SPECIFIED: DIMENSIONS ARE IN INCHES DECIMALS ARE TO THE NEAREST XX ± .05 FRACTIONAL ± 0.5 ANGULAR ± 0.5		CEC INDUSTRIES LTD 399 BOND STREET LINCOLNSHIRE, U.K. LN6 6PP	
DESIGN	DRAWN	DATE	TITLE
	D.C.	09/27/2010	L12V-WB SERIES LED WEDGE BASE
SIZE	FORM NO.	DWG NO.	REV
A			1
SCALE	PLOT SCALE	SHEET	OF
FILE	L12V-WB SERIES.dwg	DO NOT SCALE DRAWING	

PART NO.	BASE TYPE	DESIGN VOLTS	DESIGN AMPS	AVERAGE LIFE HOURS
LM1024WB	T3 1/4 WEDGE	* 24 VDC	30mA	100,000

\* BI-POLAR  
OPERATIONAL VOLTAGE  
21.6 - 24.5 VDC



ALL DIMENSIONS ARE IN MILLIMETERS, UNLESS OTHERWISE STATED, TOLERANCE IS ± 0.5mm

COLOR	PART NUMBER	LUMEN
RED	LM1024WB-R	3.15
AMBER	LM1024WB-A	1.54
WHITE	LM1024WB-W	2.80
BLUE	LM1024WB-B	0.80
GREEN	LM1024WB-G	3.50
WARM WHITE	LM1024WB-WW	2.20

AVAILABLE  
AVAILABLE  
DISCONTINUE  
AVAILABLE  
AVAILABLE  
AVAILABLE

REV	DESCRIPTION	DATE	APPROVED
1	ISSUED	12/31/2003	A.S.
2	ADDITION OF WARM WHITE, BASE CONFIGURATION	12/06/2004	D.C.
3	BI-POLAR, OPERATIONAL VOLTAGE	08/20/2008	D.C.
4	OPERATIONAL VOLTAGE 24.5 MAX	08/29/2009	D.C.

UNLESS OTHERWISE SPECIFIED:  
DIMENSIONS ARE IN INCHES  
DECIMAL TOLERANCES  
.XX ± .010 ANGULAR ± 0.5°  
FRACTIONAL ± 1/64

DATE: 12/31/2003  
DRAWN: Andro Solovychuk  
CHECKED: [ ]  
DESIGN: [ ]  
MATERIAL: [ ]

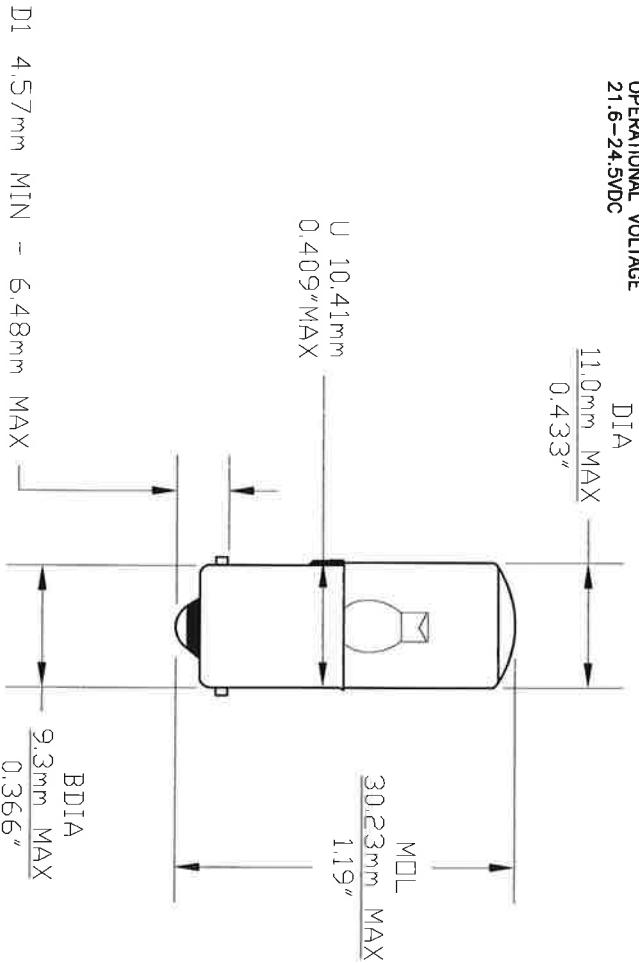
599 BOND STREET  
TRUE 360° LED MINATURE WEDGE BASE LAMP  
LINDA MSHRIDE TL 60069  
CEC INDUSTRIES LTD

TITLE: TRUE 360° LED MINATURE WEDGE BASE LAMP  
24 VOLT DC

SIZE: F30M NO. [ ] DWG NO. LM1024WB  
SCALE: A PLOT SCALE: [ ] SHEET 1 OF 1  
FILE: LM1024WB.dwg DO NOT SCALE DRAWING

PART NO.	BASE TYPE	DESIGN VOLTS	DESIGN AMPS	AVERAGE LIFE HOURS
LM1024MB	MINIATURE BAYONET	* 24 VDC	30mA	100,000

\* BI-POLAR  
OPERATIONAL VOLTAGE  
21.6-24.5VDC



COLOR	PART NUMBER	LUMEN
RED	LM1024MB-R	3.80
AMBER	LM1024MB-A	1.85
WHITE	LM1024MB-W	3.10
BLUE	LM1024MB-B	0.88
GREEN	LM1024MB-G	3.85
WARM WHITE	LM1024MB-WW	2.50

*Discontinue*  
*Discontinue*  
*Discontinue*  
*Discontinue*  
*Discontinue*  
*AVAILABLE*

REV	DESCRIPTION	DATE	APPROVED
1	ISSUED	01/21/2005	D.C.
2	OPERATIONAL VOLTAGE	06/06/2008	D.C.
3	OPERATIONAL VOLTAGE ±10%	06/23/2008	D.C.
4	24.5VDC MAX.	06/29/2009	D.C.

UNLESS OTHERWISE SPECIFIED:  
DIMENSIONS ARE IN INCHES  
TOLERANCES

DECIMALS XX ± .05	ANGULAR ± 0.5°
XXX ± .010	FRACTIONAL

DATE: 01/21/2005  
D. C.

**CEC INDUSTRIES LTD**  
599 Bond Street  
Urbana, IL 60069

TITLE: TRUE 360° LED MINIATURE BAYONET BASE LAMP  
24 VOLT DC

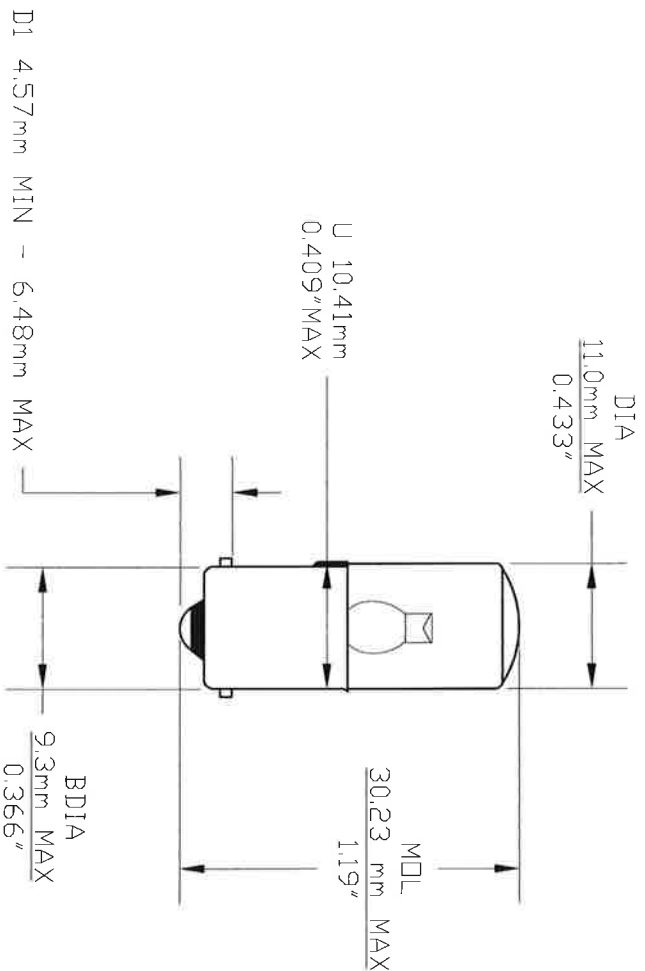
DESIGN	CHECKED	DRAWN	MATERIAL
SCALE	SIZE	FSCM NO.	DWG NO.
SCALE	A		LM1024MB
PLOT SCALE			
SHEET	1	OF	1
REV	4		

FILE: LM1024MB.DWG DO NOT SCALE DRAWING

PART NO.	BASE TYPE	DESIGN VOLTS	DESIGN AMPS	AVERAGE LIFE HOURS
LM10120MB	MINIATURE BAYONET	120VAC	30mA	100,000

OPERATIONAL VOLTAGE  
108-132VAC

REVISIONS			
REV	DESCRIPTION	DATE	APPROVED
1	ISSUED	01/21/2005	D.C.
2	OPERATIONAL VOLTAGE	06/12/2008	D.C.
3	OPERATIONAL VOLTAGE ±10%	06/23/2008	D.C.



COLOR	PART NUMBER	LUMEN
RED	LM10120MB-R	1.50
AMBER	LM10120MB-A	0.75
WHITE	LM10120MB-W	1.20
BLUE	LM10120MB-B	0.35
GREEN	LM10120MB-G	1.50
WARM WHITE	LM10120MB-WW	1.00

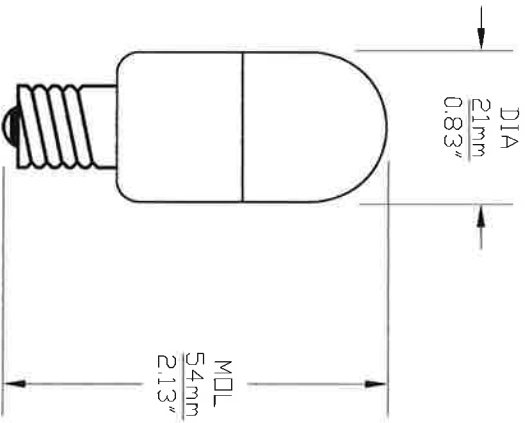
*Discart line*  
 -AVAILABLE  
 -DIS.  
 -AVAILABLE  
 -DIS.  
 -AVAILABLE

UNLESS OTHERWISE SPECIFIED: DIMENSIONS ARE IN INCHES TOLERANCES		599 Bond Street Lincolnshire IL 60069	
DECIMALS XX ± .05	ANGULAR ± 0.5°	CEC INDUSTRIES LTD	
FRACTIONAL D. C.	DATE 01/21/2005	TRUE 360° LED MINIATURE BAYONET BASE LAMP	
DRAWN	DATE	SIZE A	FSCM NO.
CHECKED		DWG NO.	LM10120MB
DESIGN		SCALE	1 OF 1
MATERIAL		FILE LM10120MB.DWG	DO NOT SCALE DRAWING

PART NO.	BASE TYPE	VOLTS	AMPS	WATTS	AVERAGE LIFE HOURS
SEE BELOW	CANDELABRA SCREW E12	120V AC	10mA	1.2	20,000

\* OPERATIONAL VOLTS  
108 - 132 VAC

ROHS COMPLIANT



ALL AVAILABLE

COLOR	PART NUMBER	LUMEN
WHITE	L20120CS-W	8
WARM WHITE	L20120CS-WW	9
GREEN	L20120CS-G	5
RED	L20120CS-R	2.5

REV	DESCRIPTION	DATE	APPROVED
1	ISSUED	04/05/2012	D.C.
2	NOTED ROHS COMPLIANT	04/20/2012	D.C.
3	GREEN AND RED ADDED	03/21/2013	D.C.

UNLESS OTHERWISE SPECIFIED: DIMENSIONS ARE IN INCHES DECIMALS AND FRACTIONALS 20X & .010 FRACTIONAL 1/16		DATE 04/05/2012	
DRAWN D. C.		TITLE T6 (T20mm) LED MINIATURE LAMP	
CHECKED DESIGN		SIZE FSCAL NO. A	
MATERIAL		DWG NO. L20120CS SERIES	
FILE L20120CS SERIES.DWG		SHEET 1 OF 1	
DO NOT SCALE DRAWING		REV 3	

CEC INDUSTRIES LTD  
599 BOND STREET  
LINCOLNSHIRE LN 60959