

**PLEASE CHECK WWW.MOLEX.COM FOR LATEST PART INFORMATION**

**Part Number:** [55959-3630](#)  
**Status:** **Active**  
**Overview:** MicroClasp™ Wire-to-Board System  
**Description:** 2.00mm Pitch MicroClasp™ Wire-to-Board Header, Dual Row, Right Angle, 36 Circuits

**Documents:**

[3D Model](#) [Packaging Specification SPK-55959-001 \(PDF\)](#)  
[Drawing \(PDF\)](#) [RoHS Certificate of Compliance \(PDF\)](#)  
[Product Specification PS-51353-003 \(PDF\)](#)

**Agency Certification**

UL E29179

**General**

Product Family PCB Headers  
 Series [55959](#)  
 Application Signal, Wire-to-Board  
 Overview [MicroClasp™ Wire-to-Board System](#)  
 Product Name MicroClasp™  
 UPC 756054218464

**Physical**

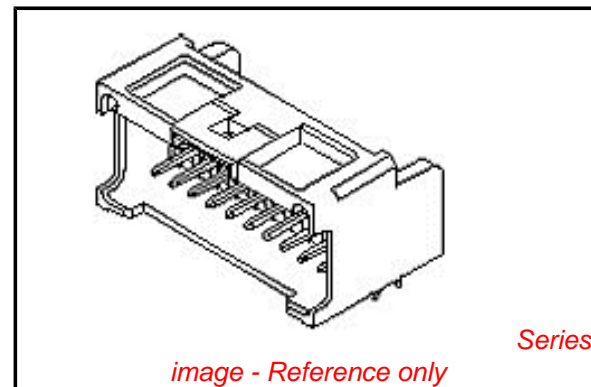
Breakaway No  
 Circuits (Loaded) 36  
 Circuits (maximum) 36  
 Color - Resin Natural  
 Durability (mating cycles max) 30  
 First Mate / Last Break No  
 Glow-Wire Compliant No  
 Guide to Mating Part No  
 Keying to Mating Part None  
 Lock to Mating Part Yes  
 Material - Plating Mating Tin  
 Material - Plating Termination Tin  
 Material - Resin Polyester  
 Net Weight 4059.000/mg  
 Number of Rows 2  
 Orientation Right Angle  
 PC Tail Length 3.20mm  
 PCB Locator No  
 PCB Retention Yes  
 PCB Thickness - Recommended 1.60mm  
 Packaging Type Tray  
 Pitch - Mating Interface 2.00mm  
 Shrouded Fully  
 Stackable No  
 Surface Mount Compatible (SMC) No  
 Temperature Range - Operating -25°C to +85°C  
 Termination Interface: Style Through Hole

**Electrical**

Current - Maximum per Contact 3A  
 Voltage - Maximum 250V

**Material Info**

**Reference - Drawing Numbers**



*image - Reference only*

**EU RoHS**

**ELV and RoHS Compliant**  
**REACH SVHC Contains SVHC: No**  
**Low-Halogen Status Not Low-Halogen**

**China RoHS**



**Need more information on product environmental compliance?**

Email [productcompliance@molex.com](mailto:productcompliance@molex.com)  
 For a multiple part number RoHS Certificate of Compliance, [click here](#)

Please visit the [Contact Us](#) section for any non-product compliance questions.

**Search Parts in this Series**

[55959Series](#)

**Mates With**

[51353 MicroClasp™ Wire-to-Board Receptacle Housing](#)

Packaging Specification  
Product Specification

SPK-55959-001  
PS-51353-003, RPS-51353-008, RPS-51353-009,  
RPS-51353-010, RPS-51353-014, RPS-51353-017,  
RPS-51353-019, RPS-51353-020, RPS-51353-022,  
RPS-51353-024, RPS-51353-025, RPS-51353-026,  
RPS-51353-034  
SD-55959-001, SD-55959-003

Sales Drawing

This document was generated on 07/08/2014

**PLEASE CHECK [WWW.MOLEX.COM](http://WWW.MOLEX.COM) FOR LATEST PART INFORMATION**