

Sensor/actuator connector - SACC-M12MS-4QO-0,34 - 1641714

Please be informed that the data shown in this PDF Document is generated from our Online Catalog. Please find the complete data in the user's documentation. Our General Terms of Use for Downloads are valid (<http://phoenixcontact.com/download>)




Sensor/actuator connector, 4-position, Plug straight M12, A-coded, Insulation displacement connection, Knurl material: Plastic, External cable diameter 3.5 mm ... 6 mm

Why buy this product

- ✓ Safe use in the field, thanks to a high degree of protection
- ✓ Flexible: connectors for on-site assembly
- ✓ Insulation displacement connection: innovative and time-saving assembly without stripping the single wire



Key commercial data

Packing unit	1 pc
GTIN	 4 017918 925161
Weight per Piece (excluding packing)	11.1 g
Custom tariff number	85366990
Country of origin	Germany
Product key	BF2CCA

Technical data

Dimensions

Wrench size, union nut	13 mm
External diameter	3.5 mm ... 6 mm

Ambient conditions

Ambient temperature (operation)	-25 °C ... 80 °C (Plug / socket)
Ambient temperature (assembly)	-5 °C ... 50 °C (During assembly)
Degree of protection	IP65
	IP67

General

Rated current at 40°C	4 A
Rated voltage	125 V
Number of positions	4

Sensor/actuator connector - SACC-M12MS-4QO-0,34 - 1641714

Technical data

General

Contact resistance	≤ 5 mΩ
Insulation resistance	≥ 100 MΩ
Coding	A - standard
Standards/regulations	M12 connector IEC 61076-2-101
Status display	No
Surge voltage category	II
Pollution degree	3
Connection method	Insulation displacement connection
Conductor cross section	0.14 mm ² ... 0.34 mm ²
AWG conductor cross section	26 ... 22
Wire diameter including insulation	0.7 mm ... 1.6 mm
Frequency of connections between conductors of the same cross section	10
Wire insulation material	PVC / PE / PP / rubber
Structure of individual litz in acc. with VDE 0295 / smallest wire diameter	Class 2-6
Insertion/withdrawal cycles	≥ 100
Torque	0.4 Nm (M12 knurl)
	0.8 Nm (Pressure nut)
Assembly instructions	AWG 20 conductor cross section upon request

Material

Inflammability class according to UL 94	V0
Contact material	CuSn
Contact surface material	Ni/Au
Contact carrier material	TPU
Material of grip body	PA 6
Material, knurls	Plastic
Sealing material	NBR

Classifications

eCl@ss

eCl@ss 4.0	27140815
eCl@ss 4.1	27140815
eCl@ss 5.0	27143423
eCl@ss 5.1	27143423
eCl@ss 6.0	27143423
eCl@ss 7.0	27449001
eCl@ss 8.0	27449001

ETIM

ETIM 2.0	EC000516
----------	----------

Sensor/actuator connector - SACC-M12MS-4QO-0,34 - 1641714

Classifications

ETIM

ETIM 3.0	EC000516
ETIM 4.0	EC002062
ETIM 5.0	EC002062

UNSPSC

UNSPSC 6.01	31261501
UNSPSC 7.0901	31261501
UNSPSC 11	31261501
UNSPSC 12.01	31261501
UNSPSC 13.2	31261501

Approvals

Approvals

Approvals

UL Recognized / cUL Recognized / GOST / cULus Recognized

Ex Approvals

Approvals submitted

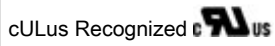
Approval details

UL Recognized	
mm ² /AWG/kcmil	22
Nominal current I _N	4 A
Nominal voltage U _N	125 V

cUL Recognized	
mm ² /AWG/kcmil	22
Nominal current I _N	4 A
Nominal voltage U _N	125 V

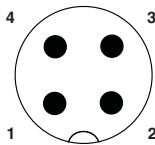
Sensor/actuator connector - SACC-M12MS-4QO-0,34 - 1641714

Approvals



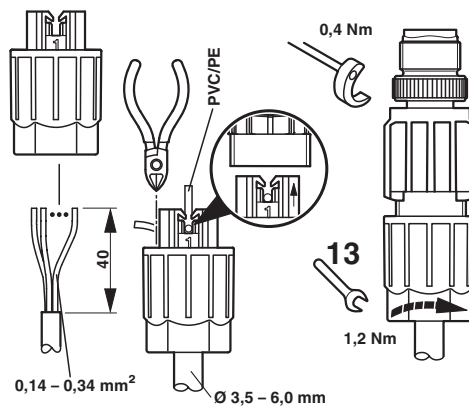
Drawings

Schematic diagram

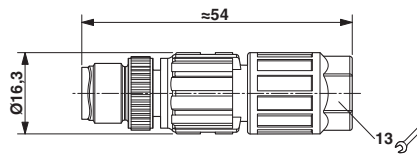


Pin assignment M12 plug, 4-pos., A-coded, view plug side

Functional drawing



Dimensioned drawing



M12 x 1 plug, straight