

Connector - SACC-MS-5SC M SCO - 1432567

Please be informed that the data shown in this PDF Document is generated from our Online Catalog. Please find the complete data in the user's documentation. Our General Terms of Use for Downloads are valid (<http://phoenixcontact.com/download>)




Sensor/actuator connector, male, straight, 5-pos., M12 SPEEDCON, A-coded, spring-cage connection, metal knurl, cable diameter max. 8 mm

Why buy this product

- ✓ Safe use in the field, thanks to a high degree of protection
- ✓ Flexible: connectors for on-site assembly
- ✓ Save time, thanks to installation with SPEEDCON fast locking system
- ✓ Spring-cage connection: connect more securely, even in the case of shock and vibration, thanks to high contact forces



Key commercial data

Packing unit	1 pc
GTIN	 4 046356 348157
Weight per Piece (excluding packing)	22.0 g
Custom tariff number	85366990
Country of origin	Germany
Product key	BF2CEA

Technical data

Dimensions

External diameter	4 mm ... 8 mm
Stripping length of the sheath	28 mm
Stripping length of the individual wire	11 mm

Ambient conditions

Ambient temperature (operation)	-40 °C ... 85 °C (Plug / socket)
Degree of protection	IP65
	IP67

General

Rated current at 40°C	4 A
-----------------------	-----

Connector - SACC-MS-5SC M SCO - 1432567

Technical data

General

Rated voltage	60 V
Number of positions	5
Contact resistance	≤ 8 mΩ
Insulation resistance	≥ 100 MΩ
Coding	A - standard
Standards/regulations	M12 connector IEC 61076-2-101
Status display	No
Surge voltage category	II
Pollution degree	3
Connection method	Spring-cage connection
Conductor cross section	0.14 mm² ... 0.5 mm²
AWG conductor cross section	26 ... 20
Insertion/withdrawal cycles	≥ 100
Torque	0.4 Nm (M12 knurl)
	0.4 Nm (Connector with coupling sleeve)
	1.5 Nm (Pressure nut with coupling sleeve)

Material

Inflammability class according to UL 94	V0
Contact material	CuSn
Contact surface material	Ni/Au
Contact carrier material	TPU
Material of grip body	PA 66
Material, knurls	Nickel-plated brass
Sealing material	NBR

Classifications

eCl@ss

eCl@ss 4.0	27060306
eCl@ss 4.1	27060306
eCl@ss 5.0	27061801
eCl@ss 5.1	27061801
eCl@ss 6.0	27279218
eCl@ss 7.0	27279218
eCl@ss 8.0	27279218

ETIM

ETIM 3.0	EC001855
ETIM 4.0	EC002062
ETIM 5.0	EC002062

Connector - SACC-MS-5SC M SCO - 1432567

Classifications

UNSPSC

UNSPSC 6.01	31261501
UNSPSC 7.0901	31261501
UNSPSC 11	31261501
UNSPSC 12.01	31261501
UNSPSC 13.2	31261501

Approvals

Approvals

Approvals

UL Recognized / cUL Recognized / GOST / cULus Recognized

Ex Approvals

Approvals submitted

Approval details

UL Recognized	
Nominal current IN	4 A
Nominal voltage UN	125 V

cUL Recognized	
Nominal current IN	4 A
Nominal voltage UN	125 V

GOST	
------	--

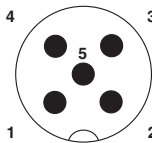
Connector - SACC-MS-5SC M SCO - 1432567

Approvals

cULus Recognized US

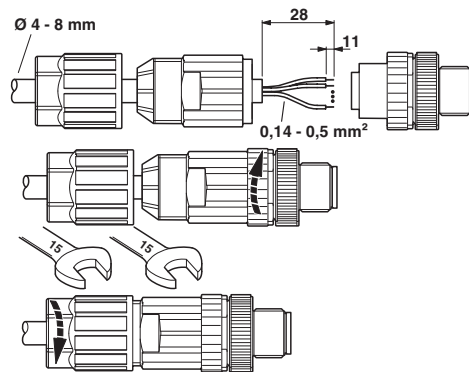
Drawings

Schematic diagram



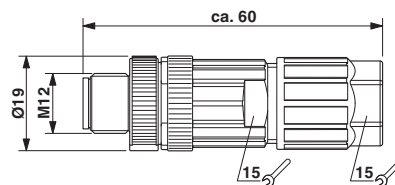
Pin assignment M12 male connector, 5-pos., A-coded, male side

Functional drawing



Strip 28 mm off the cable, 35 mm in the case of the angled version, strip single wires, push the pressure nut onto the cable. Slide the wires through the sleeve housing and connect, screw sleeve housing to the plug insert, screw the pressure nut tight.

Dimensioned drawing



M12 SPEEDCON plug, straight