

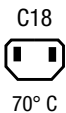
IEC Appliance Inlet C14 or C18 with Filter, high attenuation, ECO design, Front- or Rear Side Mounting

Standard- or Medical-Filter



V-Lock

new



Description

- Panel Mount:
Screw-on version from front or rear side, snap-in version from front side, PCB Version from rear side
- 2 Functions:
Appliance Inlet protection class I or II, Line filter in standard and medical version
- Solder, quick connect or wire (stranded)
- PCB Mounting
- Earth Terminal

Approvals

- VDE Certificate Number: 40016382
- UL File Number: E72928

Characteristics

- Compact filter with high asymmetrical attenuation
- Optimal shielding due to completely closed filter case, unpotted
- Designed for standard and medical applications
- Suitable for assembly in metal plated plastic housings
- Suitable for use in equipment according to IEC/UL 60950
- Suitable for use in medical equipment according to IEC/UL 60601-1

Other versions on request

- Snap-in for panel thickness >2mm to 3mm
- flexible wire with various lengths
- Class X1- and Y1-capacitors for enhanced withstand voltage
- Variant with notch for V-Lock mating Cordsets

Weblinks

[pdf-datasheet](#), [html-datasheet](#), [General Product Information](#), [RoHS](#), [CHINA-RoHS](#), [REACH](#), [Mating Connectors](#), [e-Shop](#), [SCHURTER-Stock-Check](#), [Distributor-Stock-Check](#), [Accessories](#), [Wire Harnessing](#)

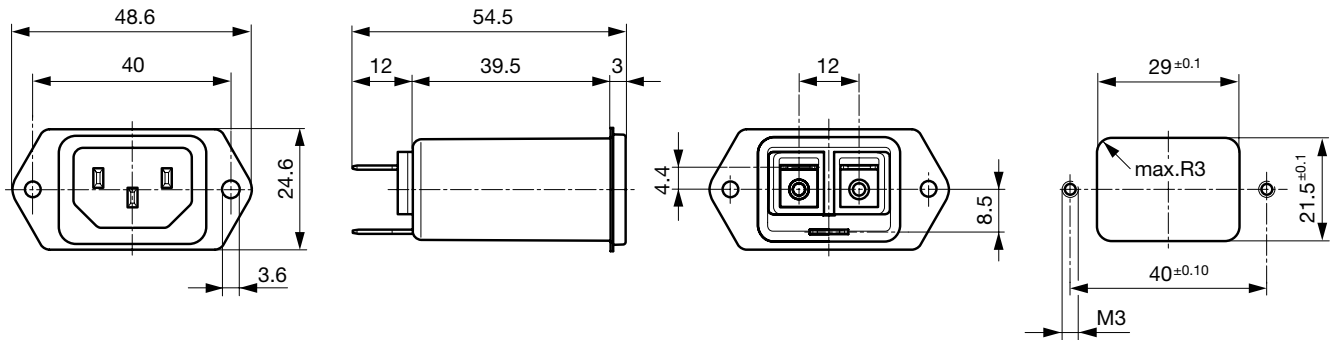
Newly available variants corresponding to V-Lock mating cordset. The connector is equipped with a notch intended for use with the latching cordset. The cord latching system prevents against accidental removal of the cordset.

Technical Data

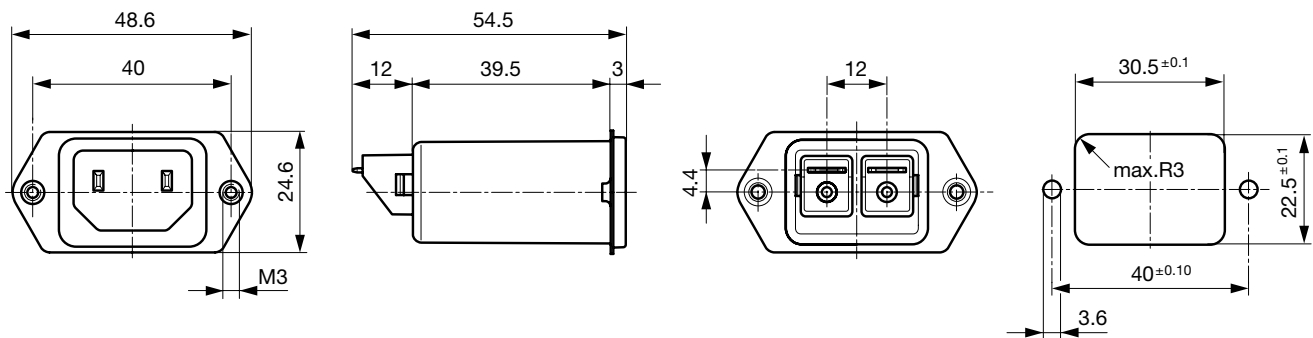
Ratings IEC	1 - 10A @ Ta 40 °C / 250VAC; 50Hz	Appliance-Inlet/-Outlet	C14 / C18 acc. to IEC 60320, UL 498, CSA C22.2 no. 42 (for cold conditions) pin-temperature 70 °C, 10A, Protection Class I or II
Ratings UL/CSA	1 - 15A @ Ta 40 °C / 250VAC; 60Hz	Line Filter	Standard and Medical Version, IEC 60939, UL 1283, CSA C22.2 no. 8 Technical Details
Leakage Current	standard < 0.5mA (250V / 60Hz) medical < 5 µA (250V / 60 Hz)	MTBF	> 3'000'000h acc. to MIL-HB-217 F
Dielectric Strength	> 1.7kVDC between L-N > 2.7kVDC between L/N-PE Test voltage (2 sec)		
Allowable Operation Temp.	-25°C to 85°C		
Climatic Category	25/085/21 acc. to IEC 60068-1		
Degree of Protection	from front side IP 40 acc. to IEC 60529		
Protection Class	Suitable for appliances with protection class I or II acc. to IEC 61140		
Terminal	Quick connect terminals 6.3 x 0.8 mm Solder terminals Flexible wire AWG18 (15A AWG16), 150 mm		
Panel Thickness s	Screw: max 8 mm Mounting screw torque max 0.5Nm Snap-in: 0.8mm to 2 mm (all steps with one variant)		
Material: Housing	Thermoplast / steel tin-plated, black / metallic, UL 94V-0		

Dimension

Front or rear side mounting for screws with nuts or blind rivets (panel cutout for frontside mounting)

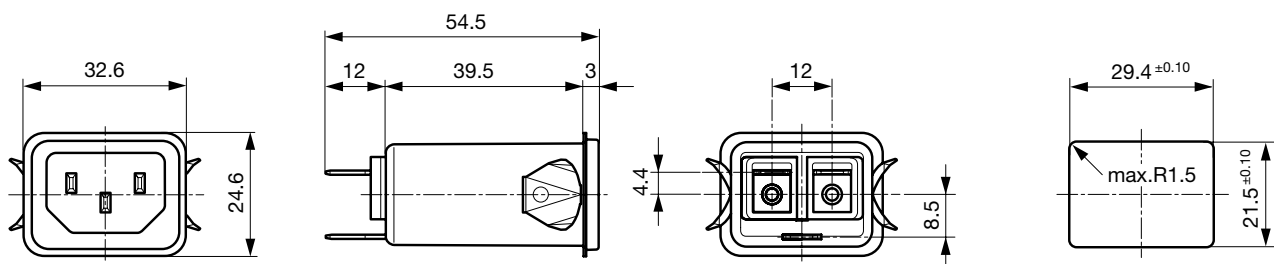


Rear side mounting with pre-formed, threaded holes for M3 screws (panel cutout for rear side mounting)



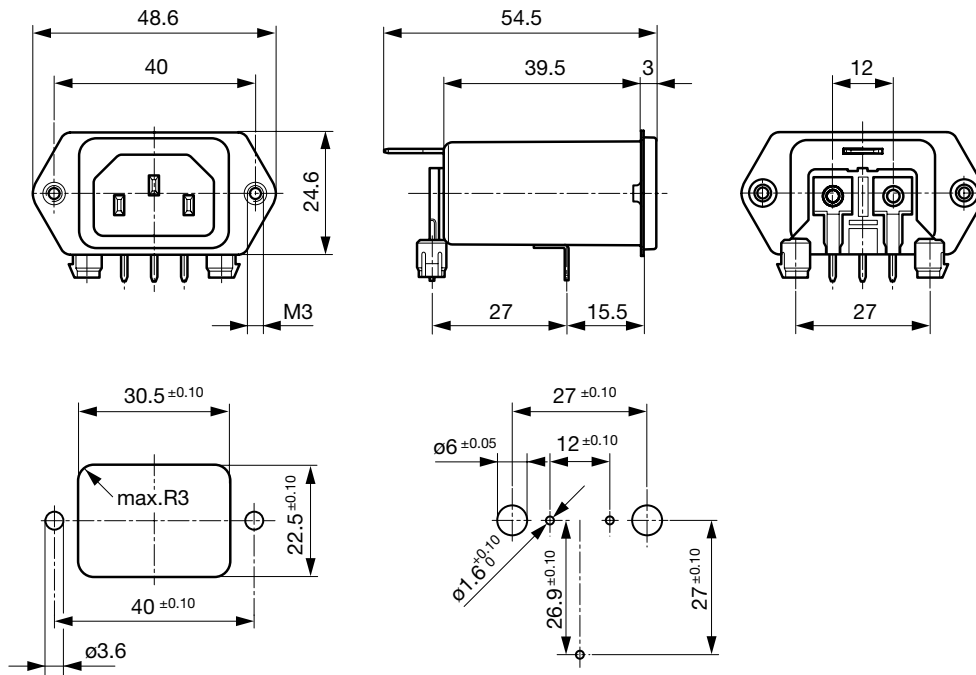
Dimensions for class II version also apply to class I

Snap-in mounting from front side

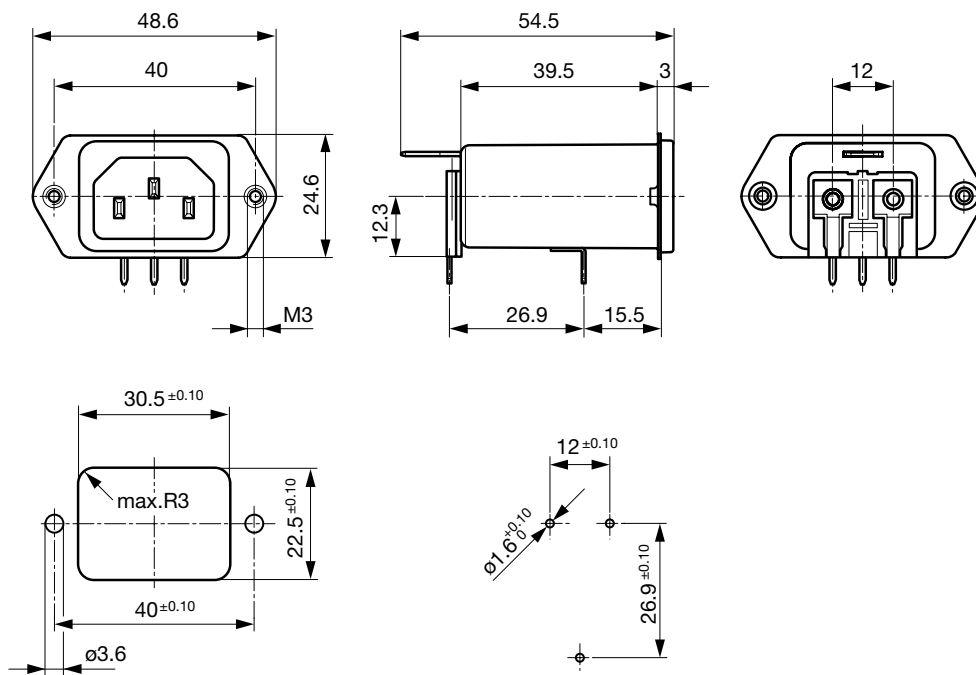


Dimensions for class I version also apply class II

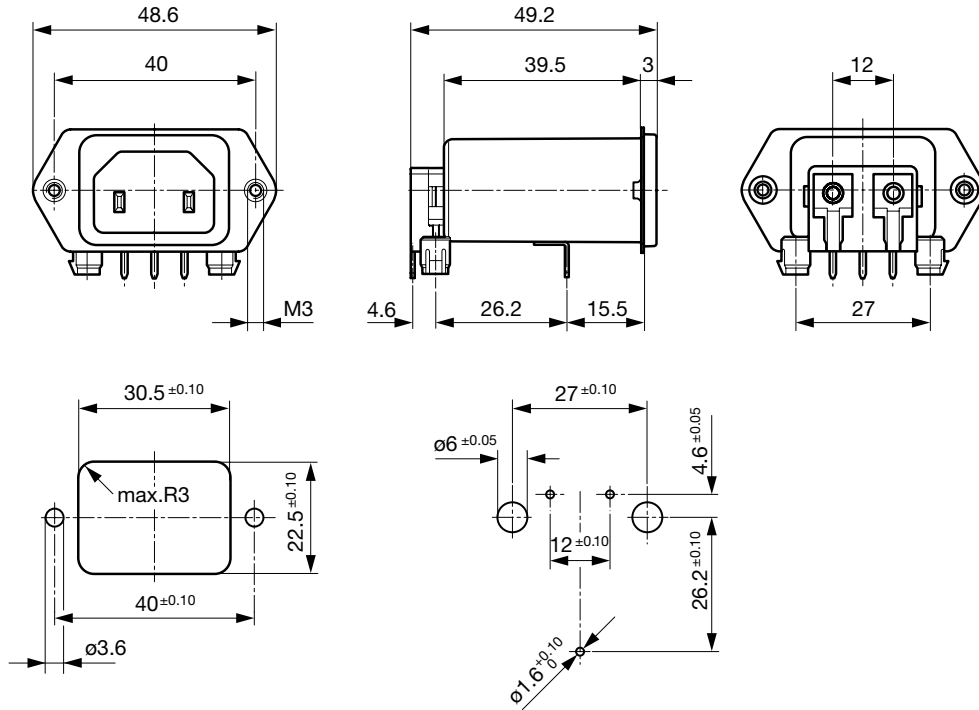
PCB snap-in rear side mounting, protection class I



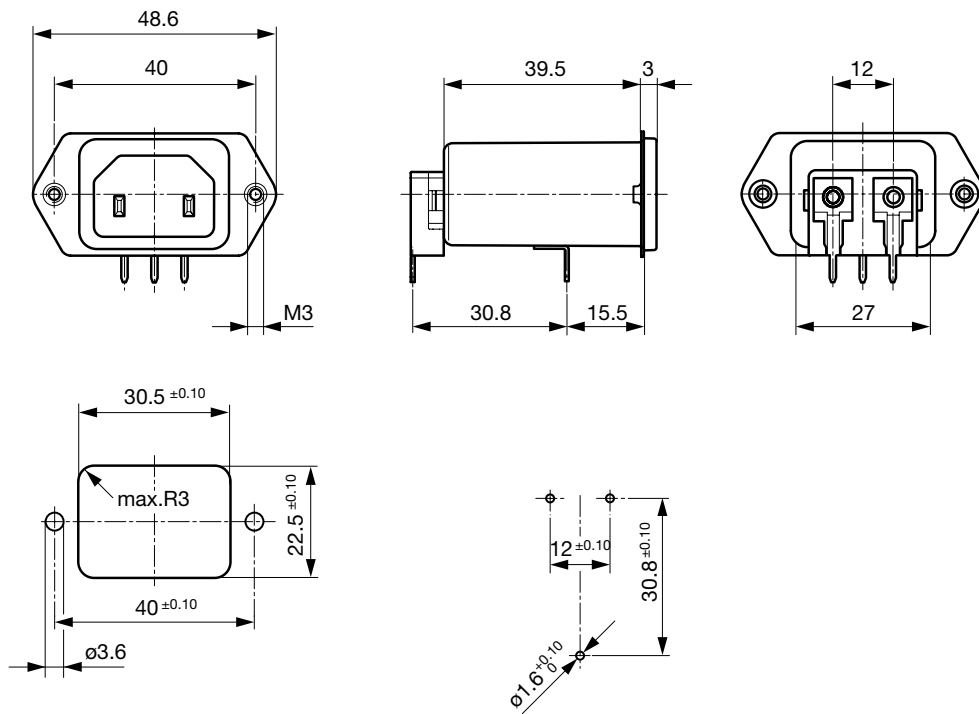
PCB rear side mounting, protection class I



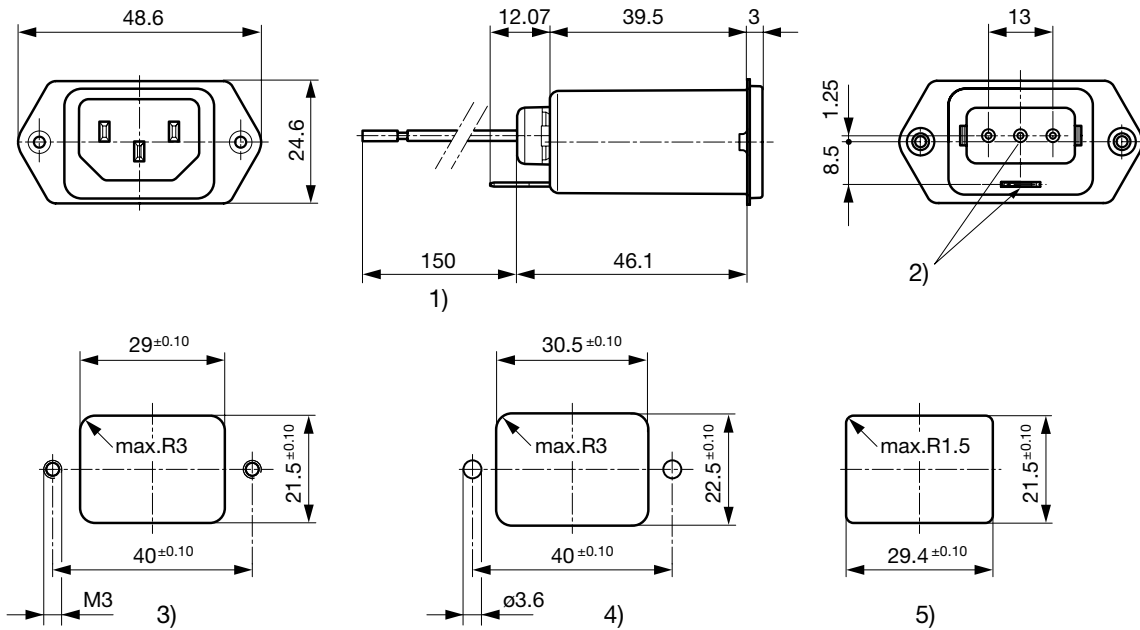
PCB snap-in rear side mounting, protection class II



PCB rear side mounting, protection class II



Screw and snap-in mounting with flexible wire



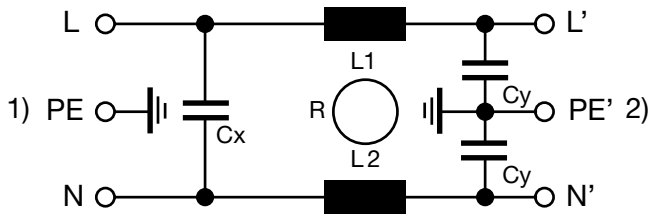
- 1) Flexible wire, standard length 150 mm or special length on request
- 2) Nonexistent for protection class II
- 3) Panel cut-out screw-on version, back-side mounting
- 4) Panel cut-out screw-on version, front- or back-side mounting
- 5) Panel cut-out snap-in version, front-side mounting

Technical Data of Filter-Components

Rated Current [A]	Filter-Type	Inductances L [mH]	Capacitance CX [nF]	Capacitance CY [nF]	R [MΩ]
1	Standard Version	2 x 20	100	2.2	-
2	Standard Version	2 x 9	100	2.2	-
4	Standard Version	2 x 3.4	100	2.2	-
6	Standard Version	2 x 1.6	100	2.2	-
10	Standard Version	2 x 0.65	100	2.2	-
15	Standard Version	2 x 0.2	100	2.2	-
1	Medical Version (M5)	2 x 20	100	-	1
2	Medical Version (M5)	2 x 9	100	-	1
4	Medical Version (M5)	2 x 3.4	100	-	1
6	Medical Version (M5)	2 x 1.6	100	-	1
10	Medical Version (M5)	2 x 0.65	100	-	1
15	Medical Version (M5)	2 x 0.2	100	-	1
6	Medical Version (M80)	2 x 1.6	100	0.47	1
1	Medical (M5)	2 x 20	100	-	1
2	Medical (M5)	2 x 9	100	-	1
4	Medical (M5)	2 x 3.4	100	-	1
6	Medical (M5)	2 x 1.6	100	-	1
10	Medical (M5)	2 x 0.65	100	-	1
15	Medical (M5)	2 x 0.2	100	-	1

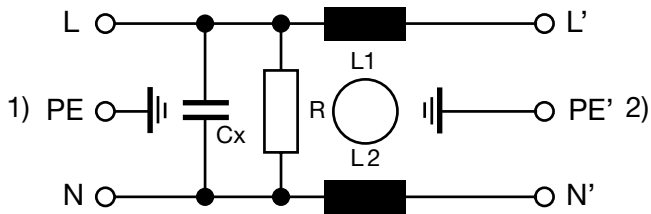
Diagrams

Standard version



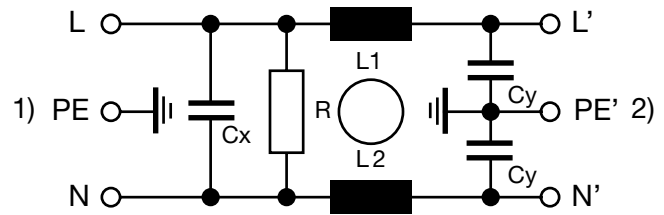
1) Line
2) Load

Medical version M5



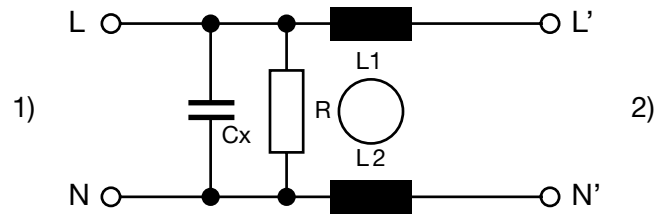
1) Line
2) Load

Bleed resistor version



1) Line
2) Load

Medical version M5, prot. class II

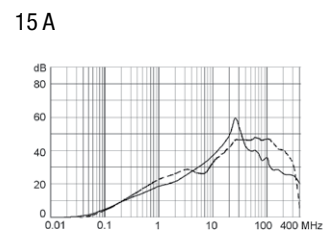
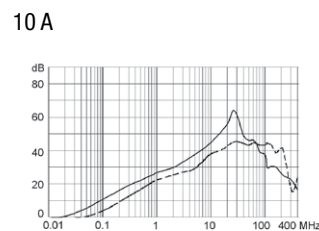
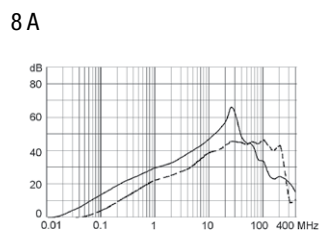
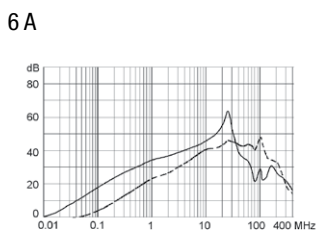
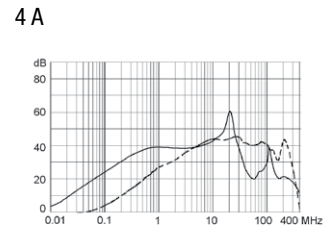
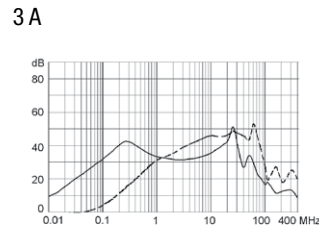
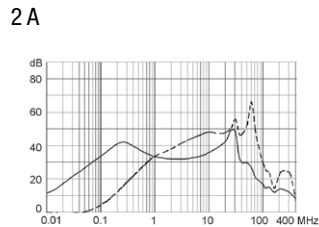
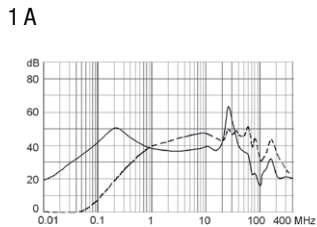


1) Line
2) Load

Attenuation Loss

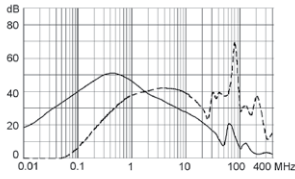
Standard version

--- differential mode ____ common mode

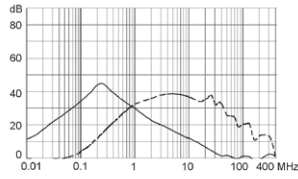


Medical version (M5)

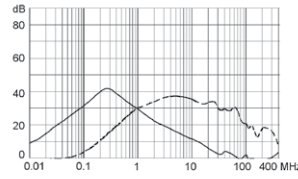
1 A



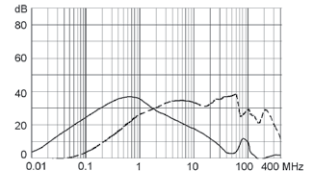
2 A



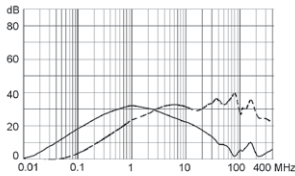
3 A



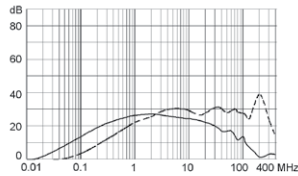
4 A



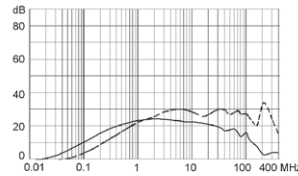
6 A



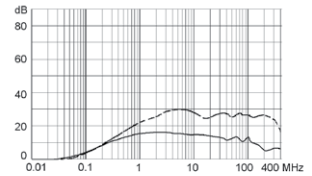
8 A



10 A

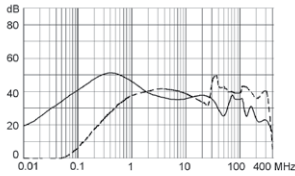


15 A

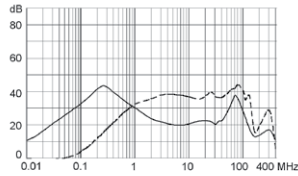


Medical version (M80)

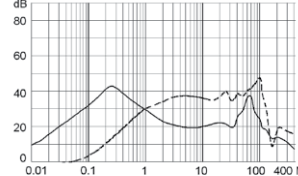
1 A



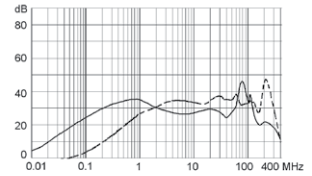
2 A



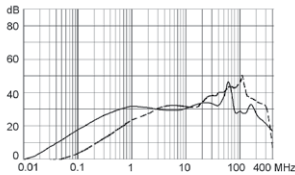
3 A



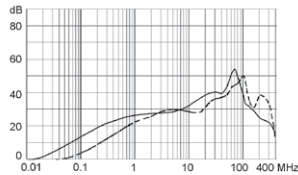
4 A



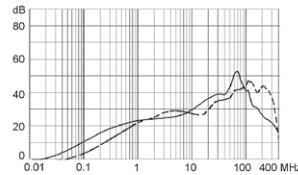
6 A



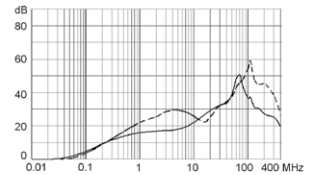
8 A



10 A



15 A



All Variants

Rated Current [A]	Filter-Type	Mounting	Mounting side	Terminal	Protection Class	Order Number
1	Standard Version	Snap-in	Front Side	Quick connect	I	5123.2000.0
1	Standard Version	Snap-in	Front Side	Quick connect	I	5123.2000.0.21
2	Standard Version	Snap-in	Front Side	Quick connect	I	5123.2001.0
4	Standard Version	Snap-in	Front Side	Quick connect	I	5123.2003.0
6	Standard Version	Snap-in	Front Side	Quick connect	I	5123.2004.0
10	Standard Version	Snap-in	Front Side	Quick connect	I	5123.2006.0
15	Standard Version	Snap-in	Front Side	Quick connect	I	5123.2007.0
6	Standard Version	Screw/PCB	Rear Side	PCB pin and earth	I	5123.4074.0
1	Standard Version	Screw	Rear Side	Quick connect	I	5123.1000.0.21
2	Standard Version	Screw	Rear Side	Quick connect	I	5123.1001.0.21
4	Standard Version	Screw	Rear Side	Quick connect	I	5123.1003.0.21
6	Standard Version	Screw	Rear Side	Quick connect	I	5123.1004.0.21
10	Standard Version	Screw	Rear Side	Quick connect	I	5123.1006.0.21
10	Standard Version	Screw	Rear Side	Flexible wire con-	I	5123.1046.0
15	Standard Version	Screw	Rear Side	Quick connect	I	5123.1007.0.21
1	Standard Version	Screw	Front-/Rear-Side	Quick connect	I	5123.0000.0
2	Standard Version	Screw	Front-/Rear-Side	Quick connect	I	5123.0001.0
4	Standard Version	Screw	Front-/Rear-Side	Quick connect	I	5123.0003.0

Rated Current [A]	Filter-Type	Mounting	Mounting side	Terminal	Protection Class	Order Number
6	Standard Version	Screw	Front-/Rear-Side	Quick connect	I	5123.0004.0
10	Standard Version	Screw	Front-/Rear-Side	Quick connect	I	5123.0006.0
15	Standard Version	Screw	Front-/Rear-Side	Quick connect	I	5123.0007.0
1	Medical Version (M5)	Screw	Rear Side	Quick connect	I	5123.1300.0.21
2	Medical Version (M5)	Screw	Rear Side	Quick connect	I	5123.1301.0.21
4	Medical Version (M5)	Screw	Rear Side	Quick connect	I	5123.1303.0.21
6	Medical Version (M5)	Screw	Rear Side	Quick connect	I	5123.1304.0.21
10	Medical Version (M5)	Screw	Rear Side	Quick connect	I	5123.1306.0.21
15	Medical Version (M5)	Screw	Rear Side	Quick connect	I	5123.1307.0.21
1	Medical Version (M5)	Screw	Front-/Rear-Side	Quick connect	I	5123.0300.0
2	Medical Version (M5)	Screw	Front-/Rear-Side	Quick connect	I	5123.0301.0
4	Medical Version (M5)	Screw	Front-/Rear-Side	Quick connect	I	5123.0303.0
6	Medical Version (M5)	Screw	Front-/Rear-Side	Quick connect	I	5123.0304.0
10	Medical Version (M5)	Screw	Front-/Rear-Side	Quick connect	I	5123.0306.0
15	Medical Version (M5)	Screw	Front-/Rear-Side	Quick connect	I	5123.0307.0
6	Medical Version (M80)	Screw	Front-/Rear-Side	Quick connect	I	5123.0504.0
1	Medical (M5)	Snap-in	Front Side	Quick connect	I	5123.2300.0
2	Medical (M5)	Snap-in	Front Side	Quick connect	I	5123.2301.0
4	Medical (M5)	Snap-in	Front Side	Quick connect	I	5123.2303.0
6	Medical (M5)	Snap-in	Front Side	Quick connect	I	5123.2304.0
10	Medical (M5)	Snap-in	Front Side	Quick connect	I	5123.2306.0
15	Medical (M5)	Snap-in	Front Side	Quick connect	I	5123.2307.0

Availability for all products can be searched real-time:<http://www.schurter.com/en/Stock-Check/Stock-Check-SCHURTER>

- 15 A version only according UL/CSA

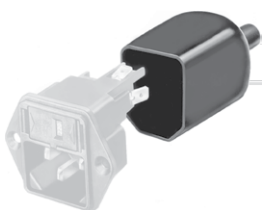
- Type for screw-on mounting from rear side has pre-threaded holes for M3 screws

Suffix ".21" corresponds to the version with V-Lock mating cordset. The connector is equipped with a notch intended for use with the latching cordset. The cord latching system prevents against accidental removal of the cordset.

Packaging unit 10 Pcs

Accessories

Description



Assorted Covers
Rear Cover



Wire Harness
Wire harness for SCHURTER products



Cord retaining kits
Cord retaining strain relief

Mating Outlets/Connectors

Category / Description

Appliance Outlet Overview complete



IEC Appliance Outlet F, Screw-on Mounting, Front Side, Solder Terminal	4787
IEC Appliance Outlet F, Snap-in Mounting, Front Side, Solder or Quick-connect Terminal	4788
IEC Appliance Outlet F or H, Screw-on Mounting, Front Side, Solder, PCB or Quick-connect Terminal	5091

[Appliance Outlet further types to 5123](#)

Connector Overview complete



IEC Connector C13, Rewireable, Angled	4012
IEC Connector C13, Rewireable, Straight	4022
IEC Connector C13, Rewireable, Angled	4300-06
IEC Connector C13, Rewireable, Straight	4782
IEC Connector C13, Rewireable, Angled	4785

[Connector further types to 5123](#)



Power Supply or Interconnection Cord Overview complete

Diverse Power Supply and Interconnection Cords 10 A	Cord Sets 10 A
---	----------------

[Power Supply or Interconnection Cord further types to 5123](#)

Mating Outlets/Connectors shuttered



Power Cord Overview complete

Overview Power Supply Cord with IEC Connector C13, V-Lock, straight	VAC13KS
---	---------

[Power Cord further types to 5123](#)