

PLEASE CHECK WWW.MOLEX.COM FOR LATEST PART INFORMATION

Part Number: [19002-0044](#)
Status: **Active**
Description: Avikrimp™ Quick Disconnect, Female, for 10-12 (5.00-3.30mm²) Wire, Box, Tab 6.35 x 0.81mm

Documents:

| | |
|----------------------------------------------------------|----------------------------------------------------------|
| 3D Model | Product Specification PS-19902-013 (PDF) |
| Drawing (PDF) | Product Specification PS-19902-014 (PDF) |
| Product Specification PS-19902-011 (PDF) | RoHS Certificate of Compliance (PDF) |

Agency Certification

| | |
|-----|---------|
| CSA | LR18689 |
| UL | E79133 |

General

| | |
|-------------------------|-----------------------|
| Product Family | Quick Disconnects |
| Series | 19002 |
| Crimp Quality Equipment | Yes |
| Insulated | Fully |
| Product Name | Avikrimp™ |
| Type | Quick Disconnect |
| UPC | 800753027763 |

Physical

| | |
|--------------------------------|-----------------|
| Barrel Type | Closed |
| Color - Resin | Yellow |
| Flammability | 94V-2 |
| Gender | Female |
| Glow-Wire Compliant | No |
| Insulation | Nylon (PA) |
| Lock to Mating Part | None |
| Material - Metal | Brass |
| Material - Plating Mating | Tin |
| Material - Plating Termination | Tin |
| Net Weight | 1.941/g |
| Orientation | Straight |
| Packaging Type | Bag |
| Polarized to Mating Part | No |
| Tab Thickness | 0.81mm |
| Tab Width | 6.35mm |
| Temperature Range - Operating | -65°C to +105°C |
| Wire Insulation Diameter | 6.22mm max. |
| Wire Size AWG | 10, 12 |
| Wire Size mm ² | 3.30 - 5.00 |

Electrical

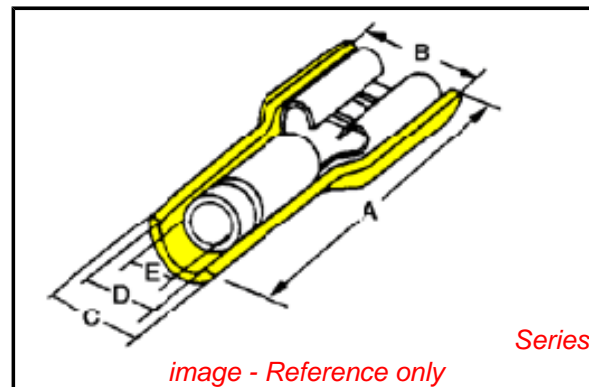
| | |
|-------------------|------|
| Voltage - Maximum | 300V |
|-------------------|------|

Material Info

| | |
|-----------------|--------|
| Old Part Number | C-5265 |
|-----------------|--------|

Reference - Drawing Numbers

| | |
|-----------------------|------------------------------------------|
| Product Specification | PS-19902-011, PS-19902-013, PS-19902-014 |
| Sales Drawing | SD-19002-005 |



EU RoHS

ELV and RoHS Compliant
REACH SVHC Contains SVHC: No
Low-Halogen Status Low-Halogen

China RoHS



Need more information on product environmental compliance?

Email productcompliance@molex.com
 For a multiple part number RoHS Certificate of Compliance, [click here](#)

Please visit the [Contact Us](#) section for any non-product compliance questions.

Search Parts in this Series

19002Series

Use With

19001-0010 , 19001-0011

Application Tooling | FAQ

Tooling specifications and manuals are found by selecting the products below. Crimp Height Specifications are then contained in the Application Tooling Specification document.

Global

| Description | Product # |
|------------------------------------------------|----------------------------|
| PremiumGrade™ Hand Crimp Tool | 0640010200 |
| Crimp Head for the AT-200™ Pneumatic Hand Tool | 0640050200 |

This document was generated on 07/02/2014

PLEASE CHECK WWW.MOLEX.COM FOR LATEST PART INFORMATION