

PLEASE CHECK WWW.MOLEX.COM FOR LATEST PART INFORMATION

Part Number: **[19017-0004](#)**
Status: **Active**
Description: InsulKrimp™ Quick Disconnect, Female, for 18-22 (0.80-0.35mm²) Wire, Mylar Tape, Tab 2.79 x 0.51mm

Documents:

[Drawing \(PDF\)](#)
[Product Specification PS-19902-008 \(PDF\)](#)
[Product Specification PS-19902-011 \(PDF\)](#)
[Product Specification PS-19902-015 \(PDF\)](#)
[RoHS Certificate of Compliance \(PDF\)](#)

Agency Certification

CSA LR18689
UL E79133

General

Product Family Quick Disconnects
Series [19017](#)
Crimp Quality Equipment Yes
Insulated No
Product Name InsulKrimp™
Type Quick Disconnect
UPC 800753035676

Physical

Barrel Type Closed
Color - Resin Red
Flammability 94V-0
Gender Female
Glow-Wire Compliant No
Insulation PVC
Lock to Mating Part None
Material - Metal Brass
Material - Plating Mating Tin
Material - Plating Termination Tin
Material - Resin PVC
Net Weight 0.389g
Orientation Straight
Packaging Type Adhesive Tape on Reel
Plating min - Mating 4.064µm
Plating min - Termination 4.064µm
Polarized to Mating Part No
Tab Thickness 0.51mm
Tab Width 2.79mm
Temperature Range - Operating -50°C to +105°C
Termination Interface: Style Crimp or Compression
Wire Insulation Diameter 3.40mm max.
Wire Size AWG 18, 20, 22
Wire Size mm² 0.35 - 0.80

Electrical

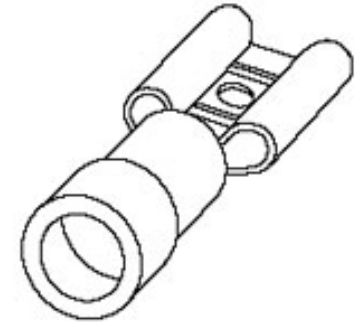
Voltage - Maximum 600V

Material Info

Old Part Number AA-2131T

Reference - Drawing Numbers

Product Specification PS-19902-008, PS-19902-011, PS-19902-015



Series

image - Reference only

EU RoHS

ELV and RoHS Compliant

REACH SVHC

Not Reviewed

Low-Halogen Status

Not Reviewed

China RoHS



Need more information on product environmental compliance?

Email productcompliance@molex.com
For a multiple part number RoHS Certificate of Compliance, [click here](#)

Please visit the [Contact Us](#) section for any non-product compliance questions.

Search Parts in this Series

19017Series

Application Tooling | FAQ

Tooling specifications and manuals are found by selecting the products below. Crimp Height Specifications are then contained in the Application Tooling Specification document.

Global

Description

Product #

Crimp Dies for MTA-100 Tape Applicator used in 3BF Press, MTA-105 Tape Applicator used in TM-2000™ Press, and ATP-301 Air Crimping Press for Mylar Tape Mounted Terminals Mini-Mac™ Applicator
[0192880048](#)
[0638850800](#)

This document was generated on 07/10/2014

PLEASE CHECK WWW.MOLEX.COM FOR LATEST PART INFORMATION