

**QUANTA®**

CE

**Q2000-F AC RMS Voltage  
Q2000-G AC RMS Current  
Process Monitors**

Operator's Manual



**N**® **NEWPORT** Electronics, Inc.  
<http://www.newportUS.com/manuals>

Additional products from  
 **NEWPORT** Electronics, Inc.

Counters	Rate Meters
Frequency Meters	Timers
PID Controllers	Totalizers
Clock/Timers	Strain Gauge Meters
Printers	Voltmeters
Process Meters	Multimeters
On/Off Controllers	Soldering Iron Testers
Recorders	pH pens
Relative Humidity	pH Controllers
Transmitters	pH Electrodes
Thermocouples	RTDs
Thermistors	Thermowells
Wireless	Flow Sensors

For Immediate Assistance  
In the U.S.A. and Canada: 1-800-NEWPORT®  
In Mexico: (95) 800-NEWPORT<sup>SM</sup>  
Or call your local NEWPORT Office.

<b>NEWPORTnet<sup>SM</sup> On-Line Service</b> <b><a href="http://www.newportUS.com">www.newportUS.com</a></b>	<b>Internet e-mail</b> <b><a href="mailto:info@newportUS.com">info@newportUS.com</a></b>
---	---

It is the policy of NEWPORT to comply with all worldwide safety and EMC/EMI regulations that apply. NEWPORT is constantly pursuing certification of its products to the European New Approach Directives. NEWPORT will add the CE mark to every appropriate device upon certification.

The information contained in this document is believed to be correct but NEWPORT Electronics, Inc. accepts no liability for any errors it contains, and reserves the right to alter specifications without notice. **WARNING:** These products are not designed for use in, and should not be used for, patient connected applications.



This device is marked with the international caution symbol. It is important to read the Setup Guide before installing or commissioning this device as it contains important information relating to safety and EMC.

## QUANTA CROSS REFERENCE



	2 9				<p>DISPLAY RESOLUTION</p> <p>±1999 counts (3 1/2 digits)</p> <p>±9999 counts (4 digits)</p>	<p>BQ2X</p> <p>BQ9X</p>
		0 1 2 3 4 5 6 7 8 9 A B			<p>DISPLAY TYPE &amp; METER POWER</p> <p>(LCD is only available on Q2000 models)</p> <p>LED, 120 V ac (50/60 Hz)</p> <p>LCD, 120 V ac (50/60 Hz)</p> <p>LED, 240 V ac (50/60 Hz)</p> <p>LCD, 240 V ac (50/60 Hz)</p> <p>LED, 9-32 V dc (isolated)</p> <p>LCD, 9-32 V dc (isolated)</p> <p>LED, 5 V dc</p> <p>LCD, 5 V dc</p> <p>LED, 24 V ac</p> <p>LCD, 24 V ac</p> <p>LED, 26-56 V dc (isolated)</p> <p>LCD, 26-56 V dc (isolated)</p>	<p>BQ20 or BQ90</p> <p>BQ21</p> <p>BQ22 or BQ92</p> <p>BQ23</p> <p>BQ24 or BQ94</p> <p>BQ25</p> <p>BQ26 or BQ96</p> <p>BQ27</p> <p>BQ28 or BQ98</p> <p>BQ29</p> <p>BQ2A or BQ9A</p> <p>BQ2B</p>
			0 1 2 3 4 5		<p>ANALOG OUTPUTS</p> <p>±1 or ±2 V (standard, all models)</p> <p>0-5 V dc</p> <p>0-10 V dc</p> <p>0-1 mA, source or sink</p> <p>4-20 mA, source or sink</p> <p>4-20 mA, sink (high compliance)</p>	<p>None</p> <p>BA01</p> <p>BA01</p> <p>BA01</p> <p>BA01</p> <p>BA02</p>
			0 1 2 3 4 5		<p>CONTROL OUTPUTS</p> <p>None</p> <p>Dual-setpoint 10 A relays</p> <p>Proportional 4-20 mA, control, source or sink, plus drive for time-proportional solid-state relay</p> <p>Proportional 4-20 mA, control, source or sink, plus time-proportional solid-state 2 A relay</p> <p>Parallel BCD (isolated)</p> <p>Single -setpoint 10 A relay</p>	<p>None</p> <p>BDT1</p> <p>BDP1</p> <p>BDP2</p> <p>BDD2</p> <p>BDS1</p>



# TABLE OF CONTENTS

CROSS REFERENCE.....	iii
SAFETY CONSIDERATIONS .....	ii
<b>_2000 MAIN ASSEMBLY</b>	
1.0 Specifications .....	1
2.0 Mechanical Assembly and Installation .....	3
3.0 Power & Signal Input Connections .....	4
4.0 Configuration Procedure .....	5
5.0 Configuration Charts .....	5
6.0 Tests and Diagnostics .....	7
7.0 Main Board Connector Pin Assignments .....	7
8.0 Drawings .....	8
<b>_9000 MAIN ASSEMBLY</b>	
9.0 Specifications .....	11
10.0 Mechanical Assembly and Installation .....	14
11.0 Power & Signal Input Connections .....	15
12.0 Configuration Procedure .....	16
13.0 Configuration Charts .....	16
14.0 Tests and Diagnostics .....	19
15.0 Main Board Connector Pin Assignments .....	20
16.0 Drawings .....	21
<b>SIGNAL CONDITIONER INPUT</b>	
17.0 Specifications .....	24
18.0 Signal Input Connections .....	28
19.0 Test and Diagnostics .....	30
20.0 Configuration Procedure .....	30
21.0 Configuration Charts .....	33
22.0 Calibration _2000 F/G.....	35
23.0 Calibration _9000 F/G.....	35
24.0 Drawings .....	36
<b>INSTALLATION INSTRUCTIONS</b>	
25.0 Installation .....	37
26.0 Signal Input Connections (TB1) .....	40

## SAFETY CONSIDERATIONS



This device is marked with the international Caution symbol. It is important to read this manual before installing or commissioning this device as it contains important information relating to Safety and EMC (Electromagnetic Compatibility).

### Unpacking & Inspection



Unpack the instrument and inspect for obvious shipping damage. Do not attempt to operate the unit if damage is found.

This instrument is a panel mount device protected in accordance with Class I of EN 61010 (115/230 AC power connections). Installation of this instrument should be done by Qualified personnel. In order to ensure safe operation, the following instructions should be followed.

This instrument has no power-on switch. An external switch or circuit-breaker shall be included in the building installation as a disconnecting device. It shall be marked to indicate this function, and it shall be in close proximity to the equipment within easy reach of the operator. The switch or circuit-breaker shall not interrupt the Protective Conductor (Earth wire), and it shall meet the relevant requirements of IEC 947-1 and IEC 947-3 (International Electrotechnical Commission). The switch shall not be incorporated in the mains supply cord.

Furthermore, to provide protection against excessive energy being drawn from the mains supply in case of a fault in the equipment, an overcurrent protection device shall be installed.



- The Protective Conductor must be connected for safety reasons. Check that the power cable has the proper Earth wire, and it is properly connected. It is not safe to operate this unit without the Protective Conductor Terminal connected.



- 
- Do not exceed voltage rating on the label located on the top of the instrument housing.
  - Always disconnect power before changing signal and power connections.
  - Do not use this instrument on a work bench without its case for safety reasons.
  - Do not operate this instrument in flammable or explosive atmospheres.
  - Do not expose this instrument to rain or moisture.
  - Unit mounting should allow for adequate ventilation to ensure instrument does not exceed operating temperature rating.
  - Use electrical wires with adequate size to handle mechanical strain and power requirements. Install without exposing bare wire outside the connector to minimize electrical shock hazards.

### EMC Considerations

- Whenever EMC is an issue, always use shielded cables.
- Never run signal and power wires in the same conduit.
- Use signal wire connections with twisted-pair cables.
- Install Ferrite Bead(s) on signal wires close to the instrument if EMC problems persist.

## 1.0 MAIN ASSEMBLY - \_2000 SPECIFICATIONS

### 1.1 GENERAL

The \_2000 main assemblies are identified by an initial designator (\_2) plus a power/ display option numeral, zero through nine (0-9).

The following table identifies the main assembly types:

Display Type	120 V ac	240 Vac	9-32 V dc	5 V ac	24 V ac
LED	_20	_22	_24	_26	_28
LCD	_21	_23	_25	_27	_29

The Digital Panel Meter/Controller consists of a main assembly, signal conditioner and interface options (if ordered) all housed in a 1/8 DIN case.

The main assembly consists of a main board and a display board which is permanently attached to it at a 90 degree angle.

The main board provides mounting for the power supply, circuit components, and connectors for plugging in the signal conditioner, optional analog card, and optional controller/communications interface card (requires removal of a bypass push-on jumper).

The display board includes the analog-to-digital converter, the LED or LCD display and the push-on jumper for programming the decimal points. Decimal point programming may also be done from the main board connector (J1).

### 1.2 POWER

AC Models:	24/120/240 V +10/-15% 47-63 Hz
Common Mode Voltage:	1500 Vp test (354 Vp per IEC spacing) (150 Vp per CE)
DC Models	5 V $\pm$ 5% (5 V return common to signal LO) 9-32 V (300 V isolation from 9-32 V return to signal LO) (100 Vp per CE)
Source Impedance:	3 ohms
Ripple:	250 mV maximum
Power Consumption:	5 watts maximum

### 1.3 DISPLAY

LED:	14.2 mm (0.56 in), 7-segment light emitting diode
Lens Color:	Red
LCD:	12.7 mm (0.50 in), 7-segment liquid crystal
Lens Color:	Clear
Range:	0 to $\pm$ 1999
Overload Indication:	Three least-significant digits blank, "1" or "-1" displayed

### 1.4 CONVERSION

Technique:	Auto-zero, dual slope, average value
Signal Integration Period:	100 ms, nominal
Reading Rate:	2.5/s, nominal

### 1.5 ENVIRONMENTAL

Operating Temp (Ambient):

0 to 60°C

Storage Temp.:

-40 to 85°C

Humidity:

To 95% RH, non-condensing, 0 to 40°C

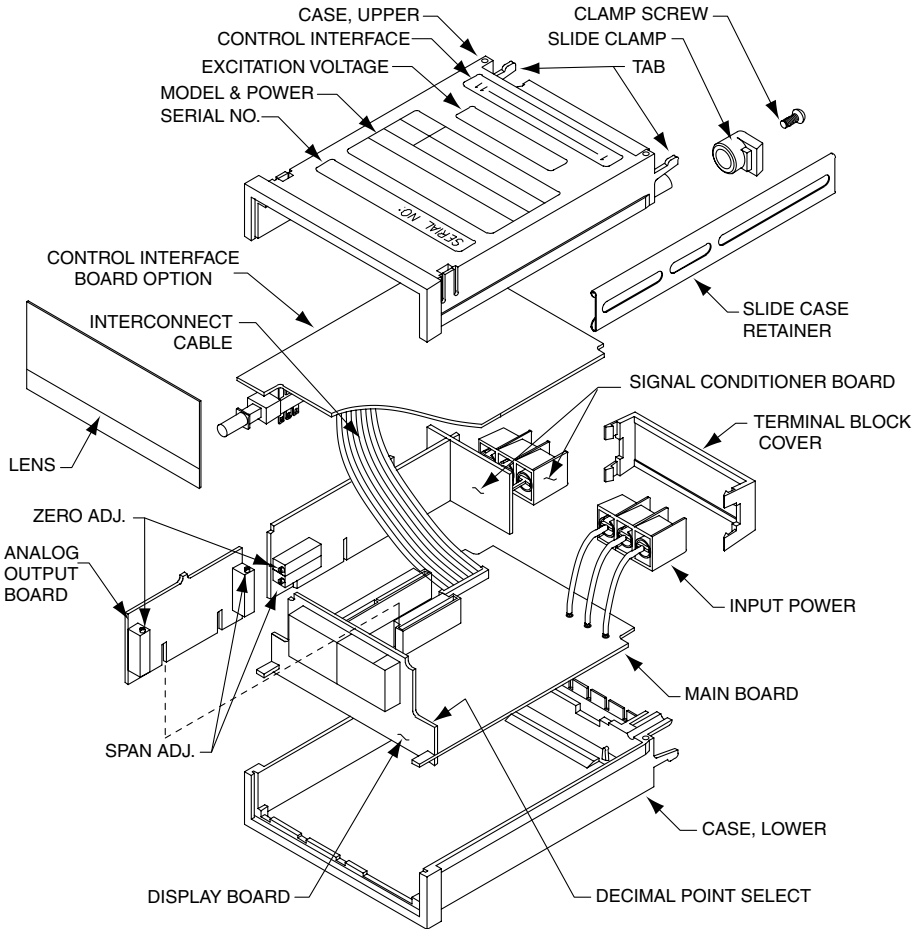
### 1.6 MECHANICAL

Case Material:

UL-rated 94 V-0, polycarbonate

Weight:

0.57 kg (with interface board)



**Figure 1 Exploded View**



## 2.0 MECHANICAL ASSEMBLY & INSTALLATION

### 2.1 PANEL MOUNTING PROCEDURE (SEE FIGURE 1)

Remove the main board edge connector (J1), if installed.

Remove the interface board connector (J2), if installed.

Loosen two clamp screws on the rear of the case enough to rotate the two slide clamps.

Slide two slide retainers toward the rear of the case and remove them.

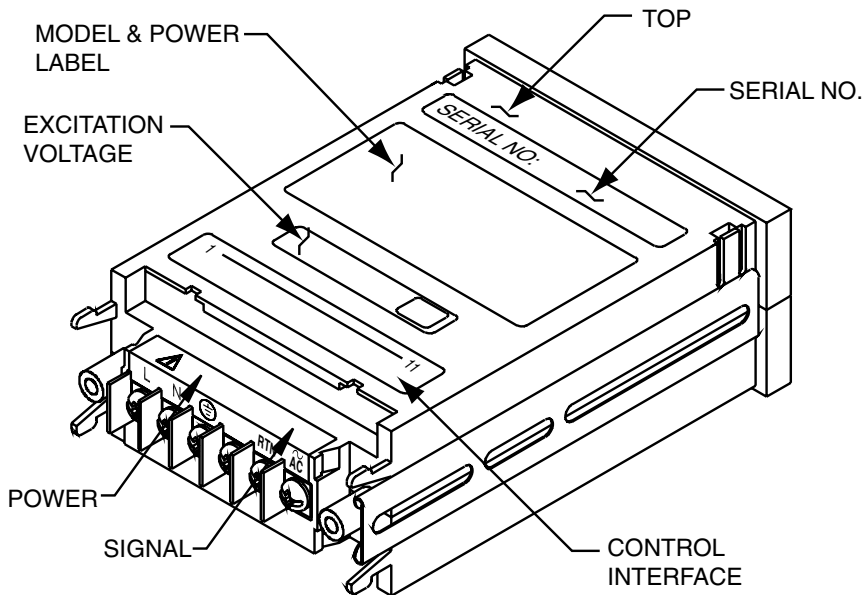
From the front of the panel, insert the meter into the panel cutout.

Slide the slide retainers back into the case and push up tightly against the rear of the panel.

Rotate the slide clamps back into their original position and tighten enough to hold the case in place. Overtightening can break the clamps.

Install any connectors removed.

### 2.2 LABELS (SEE FIGURE 2 FOR PLACEMENT)



**LABELS TO BE READ FROM THE REAR**

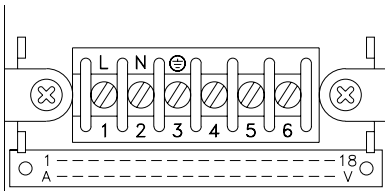
**Figure 2 Label Placement**

### 3.0 POWER AND SIGNAL INPUT CONNECTIONS



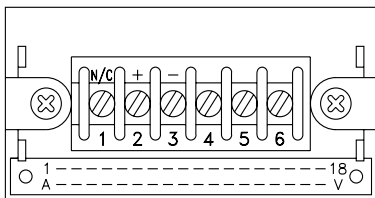
**WARNING:** Incorrect power input can damage your PANEL METER

#### 3.1 POWER CONNECTIONS



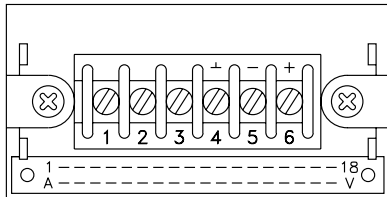
**REAR TERMINAL VIEW**

<u>Terminal Connection</u>	<u>AC Versions</u>	<u>Wire Color</u>
1	AC power HI	Black
2	AC power LO (neutral)	White
3	AC power GND	Green



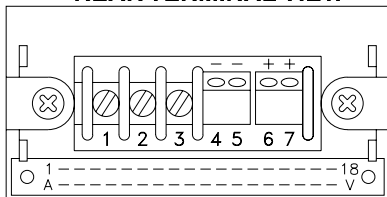
<u>Terminal Connection</u>	<u>DC Versions</u>
1	No connection
2	DC power +
3	DC power - (return)

#### 3.2 SIGNAL INPUT CONNECTIONS



**REAR TERMINAL VIEW**

<u>Terminal Connection</u>	<u>6 Terminal Versions Signal</u>
4	Analog GND
5	Signal LO
6	Signal HI



<u>Terminal Connection</u>	<u>7 Terminal Versions Signal</u>
4	-E (Excitation return)
5	-S (Signal LO input)
6	+S (Signal HI input)
7	+E (Excitation output)

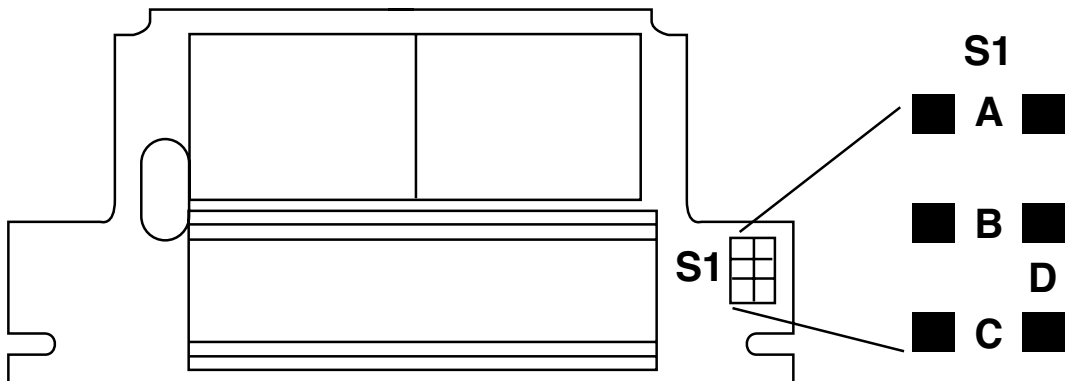
## 4.0 CONFIGURATION PROCEDURE

This procedure is used to set the decimal point of the display and interface board signal bypass selections for the configuration of the \_2XXXX Display and power options 20 through 29 (see Cross Reference). For \_9XXXX options 90 through 98 see Section 13.

The main assembly's configuration can be changed by using the push-on jumpers provided. (They may already be positioned on the pin-forests.) Pin-forest designations are shown below.

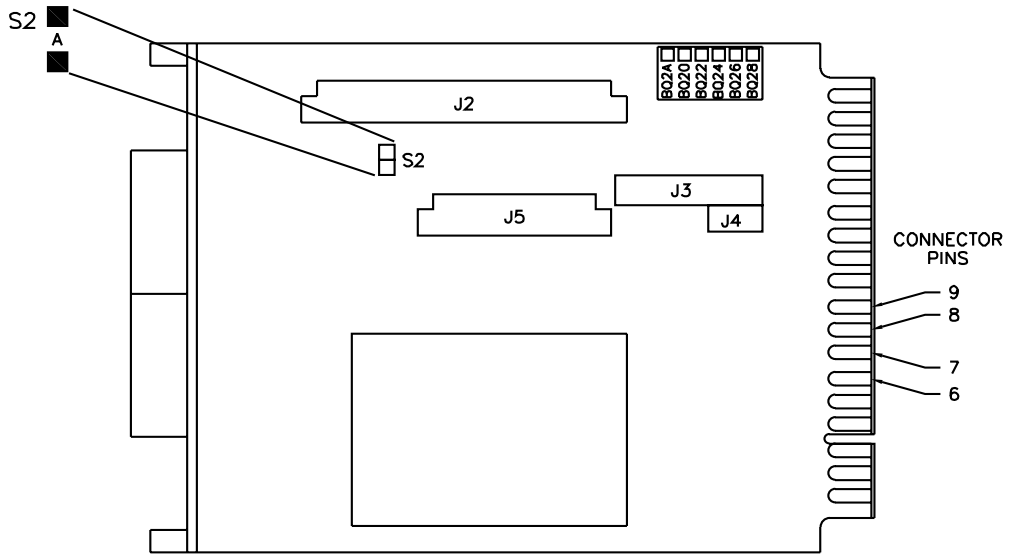
## 5.0 CONFIGURATION CHARTS

### 5.1 DECIMAL POINT SELECTION



Step 1:	Remove all push-on jumpers not used in the desired configuration(s).	
Step 2:	Select the desired configuration from the chart below, and install the push-on jumpers indicated.	
Decimal Point Selection	S1	Alternate Decimal Point Selection Using Main Assembly Board (J1) Connector
Decimal Point (1.999)	A	Connect J1-K/9 to J1-6
Decimal Point (19.99)	B	Connect J1-J/8 to J1-6
Decimal Point (199.9)	C	Connect J1-H/7 to J1-6
Decimal Point (1999)	D	No connection

## 5.2 INTERFACE BOARD SIGNAL BYPASS SELECTION



Step 1:	Check your part number for a zero (0) in the following position; <b>_2XX<b>0</b>X</b> . If there is a zero (0) in that position, interface board signal bypass is required.	
Step 2:	Remove all push-on jumpers not used in the desired configuration(s).	
Step 3:	Select the desired configuration from the chart below, then install the push-on jumpers indicated.	
	Interface Board Signal Configuration	S2
	Interface Board Signal Bypass	A

## 6.0 TESTS & DIAGNOSTICS

### 6.1 TEST CONFIGURATION REQUIREMENTS

The main assembly is designed to function with a signal conditioner board as a minimum configuration. There is no provision for testing a main assembly alone.

### 6.2 SIGNAL INPUT REQUIREMENTS

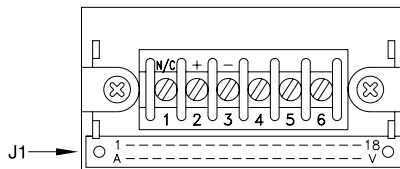
Signal input requirements for your configuration are identified in the signal conditioner section of this manual.

### 7.0 MAIN BOARD CONNECTOR PINOUTS (J1)

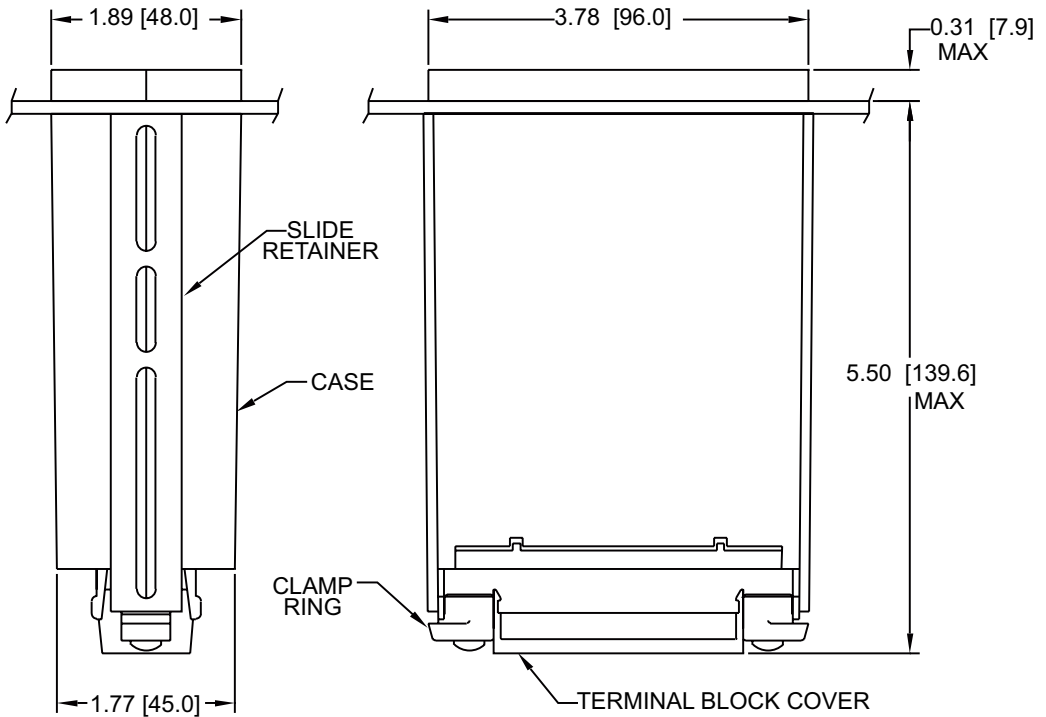
(Left to right, looking at rear of case)

Connection	Function	
A - 1	Spare	
B	Oscillator	40 kHz
2	-8.2 V dc Analog power	Analog power
C - 3	Spare	
D	+ Pol (sign)	+ Polarity sign
4	$\overline{\text{HOLD}}$	LED version only
E - 5	Spare	
F	Buffer	Integrator output
6	Digital Ground	
H - 7	199.9 (Decimal point)	Use with pin 6
J - 8	19.99 (Decimal point)	Use with pin 6
K - 9	1.999 (Decimal point)	Use with pin 6
L - 10	Test (LED version only)	Use with pin M/11
M - 11	+5 V dc	Analog & digital power
N - 12	Analog output	Standard 1 mV/count
P - 13	Spare	
R - 14	Spare	Used with H & S options - Excitation sense
S - 15	Analog Ground	
T - 16	Analog Option - Return	Used with analog option
U	Analog Option - Out	Used with analog option
17	+30 V dc	Unregulated power
V - 18	Spare	Used with S option + Excitation sense
-	Indicates common pin	

50 mA maximum power available from all internal sources

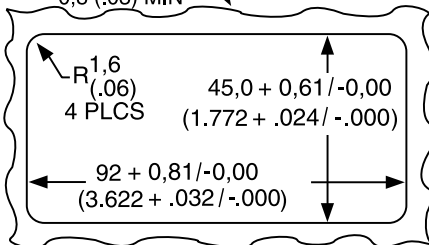


## 8.0 DIMENSIONAL DRAWINGS

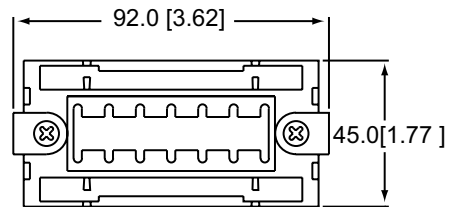


Notes: Dimensions are in inches  $\pm 0.01''$   
with millimeters in [ ]  $\pm 0.25$  mm.

PANEL THICKNESS  
6,4 (.25) MAX  
0,8 (.03) MIN

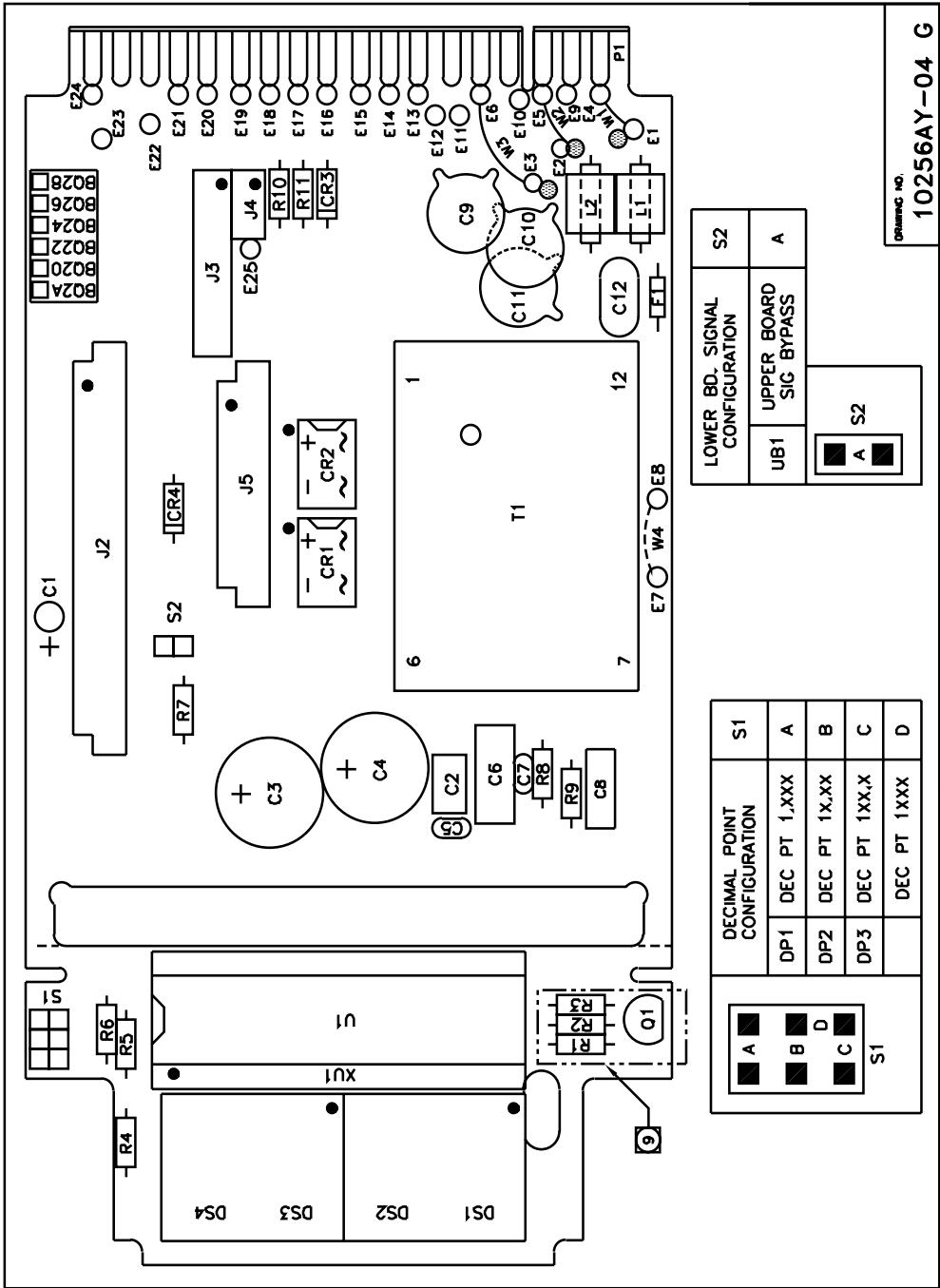


NOTE: Dimensions in Millimeters (Inches)  
**PANEL CUTOUT**



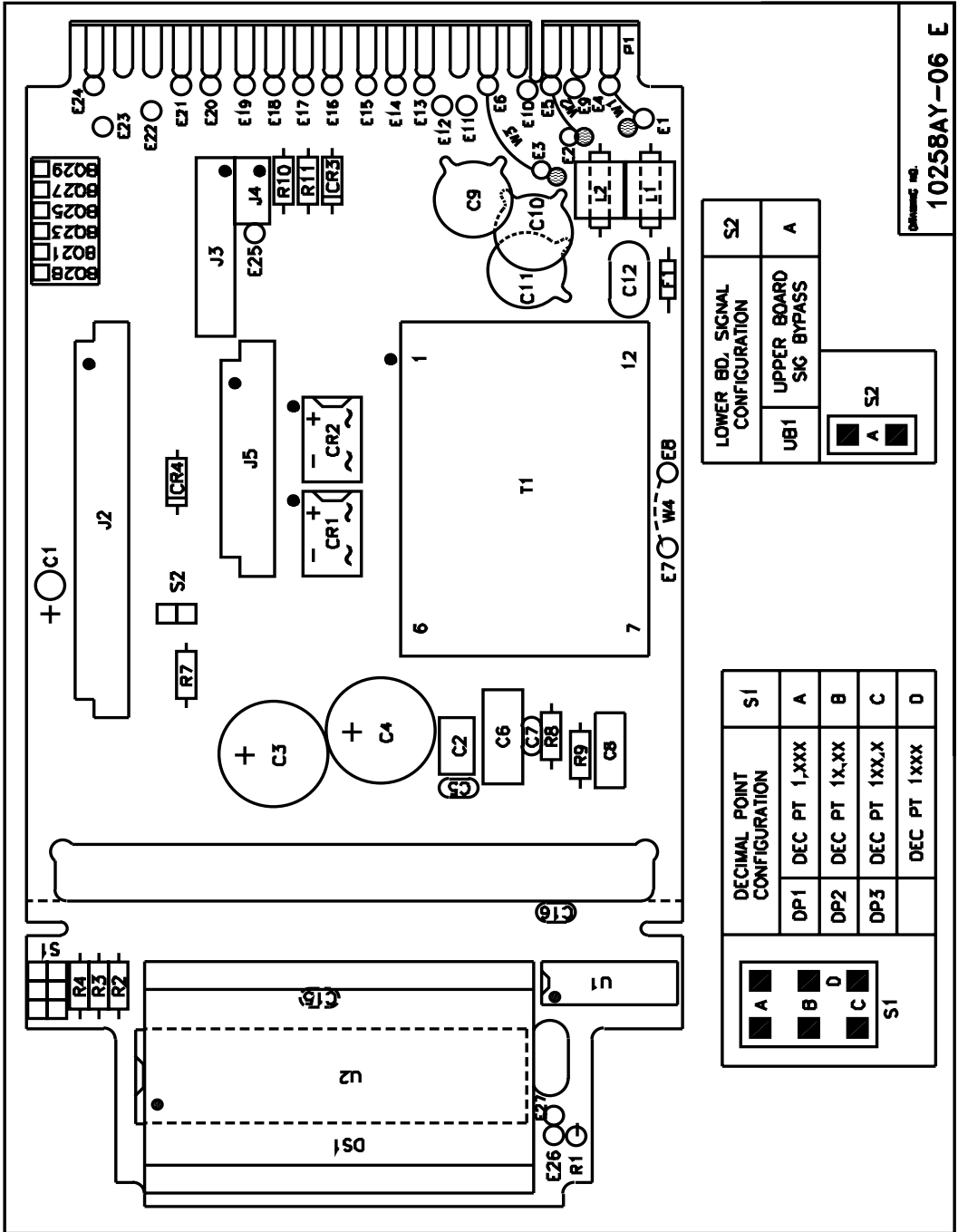
**REAR VIEW**

(TERMINAL BLOCK COVER AND  
BEZEL NOT SHOWN FOR CLARITY)  
SLIDE CLAMPS ROTATED AND SLIDE RETAINERS  
REMOVED AS SHOWN FOR INSTALLATION.



DRAWING NO. 10256AY-04 G

Assembly Diagram LED Display Used on 20, 22, 24, 26 & 28 (see Cross Reference)



Assembly Diagram LCD Display Used on 21, 23, 25, 27 & 29 (see Cross Reference)



## 9.0 MAIN ASSEMBLY \_9000 SPECIFICATIONS

### 9.1 GENERAL

The \_9000 main assemblies are identified by an initial designator (\_9) plus a power/ display option numeral: 0, 2, 4, 6 or 8.

The following table identifies the main assembly types:

<b>Display Type</b>	<b>120 V ac</b>	<b>240 V ac</b>	<b>9-32 V dc</b>	<b>5 V ac</b>	<b>24 V ac</b>
LED	_90	_92	_94	_96	_98

The Digital Panel Meter/ Controller consists of a main assembly, signal conditioner and interface options (if ordered) all housed in a 1/8 DIN case.

The main assembly consists of a main board and a display board which is permanently attached to it at a 90 degree angle.

The main board provides mounting for the power supply, circuit components, and connectors for plugging in the signal conditioner, optional analog card, and optional controller/ communications interface card (requires removal of a bypass push-on jumper).

The display board includes the analog-to-digital converter, the LED display and the push-on jumper for programming the decimal points. Decimal point programming may also be done from the main board connector (J1).

## 9.2 POWER

AC Models:	24/120/240V +10/-15% 47-63 Hz
Common Mode Voltage:	1500Vp test (354 Vp per IEC spacing),
DC Models:	5V $\pm$ 5% (5V return common to signal LO)
	9 to 32V (300V isolation from 9-32V return to signal LO),
	(100Vp per CE)
Source Impedance:	3 ohms
Ripple:	250 mV maximum
Power Consumption:	5 watts maximum

## 9.3 DISPLAY

LED:	14.2 mm (0.56 in), 7-segment light emitting diode
Lens color:	Red
Range:	0 to $\pm$ 9999, digits flash from 10K to 20K counts
Overload Indication:	Four digits flash zero at 20K and above

## 9.4 CONVERSION

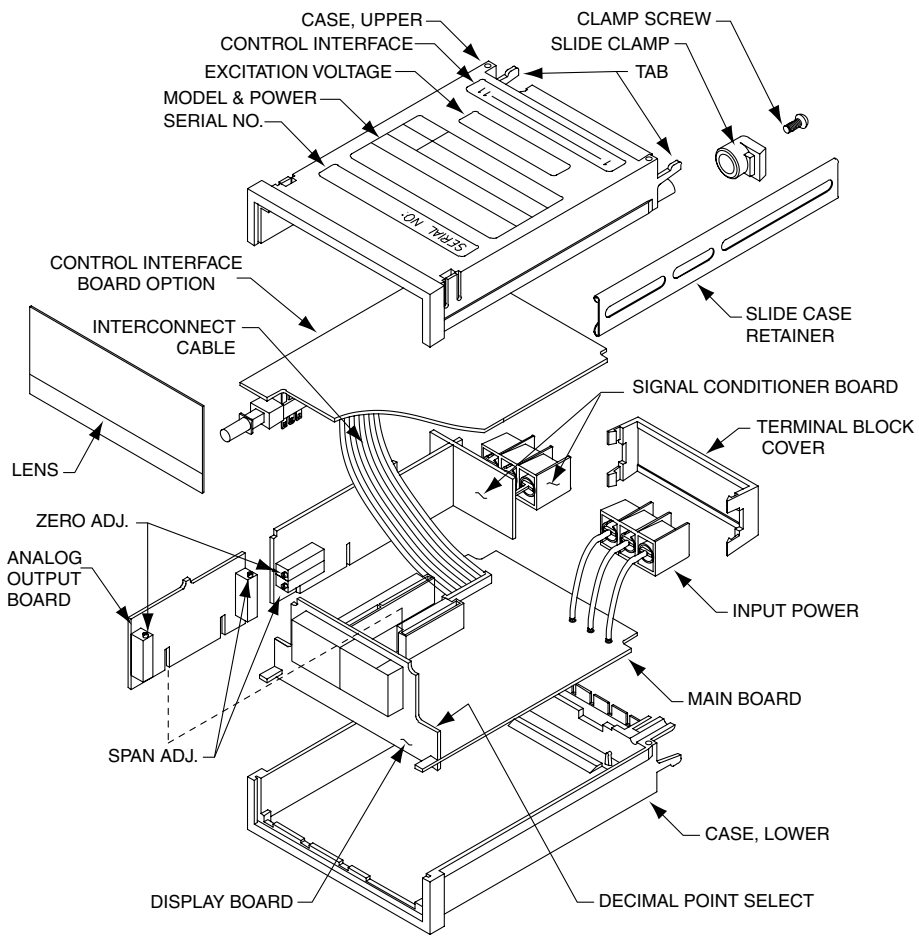
Technique:	auto-zero, dual slope, average value
Signal Integration Period:	100 ms, nominal
Reading Rate:	2.5/s, nominal

## 9.5 ENVIRONMENTAL

Operating Temperature (Ambient):	0 to 60° C
Storage Temperature:	-40 to 85° C
Humidity:	To 95% RH, non-condensing, 0 to 40° C

## 9.6 MECHANICAL

Case Material:	UL-rated 94V-0, polycarbonate
Weight:	0.57 kg (with interface board)



**Figure 3 Exploded View**

## 10.0 MECHANICAL ASSEMBLY & INSTALLATION

### 10.1 PANEL MOUNTING PROCEDURE (SEE FIGURE 3)

Remove the main board edge connector (J1), if installed.

Remove the interface board connector (J2), if installed.

Loosed two clamp screws on the rear of the case enough to rotate the two slide clamps.

Slide two slide retainers toward the rear of the case and remove them.

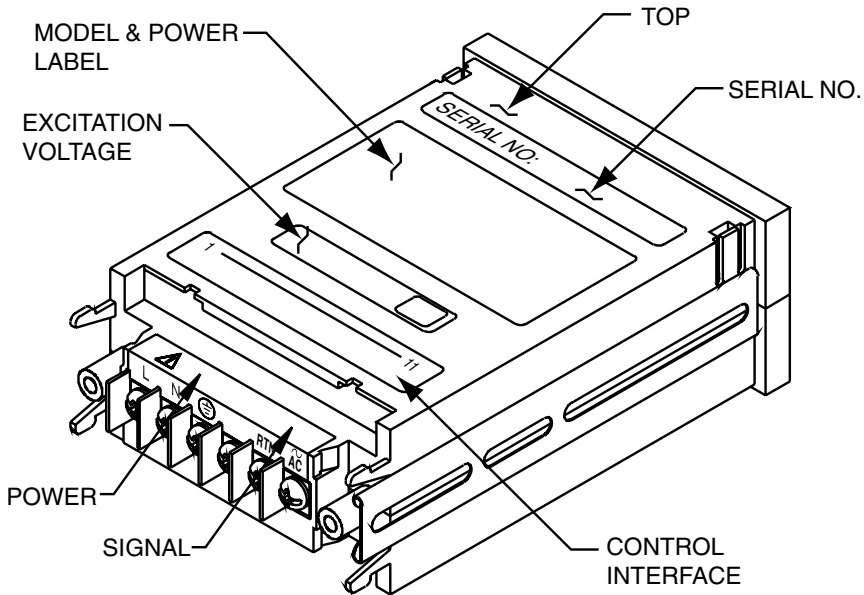
From the front of the panel, insert the meter into the panel cutout.

Slide the slide retainers back into the case and push up tightly against the rear of the panel.

Rotate the slide clamps back into their original position and tighten enough to hold the case in place. Overtightening can break the clamps.

Install any connectors removed.

### 10.2 LABELS (SEE FIGURE 4 FOR PLACEMENT)



**LABELS TO BE READ FROM THE REAR**

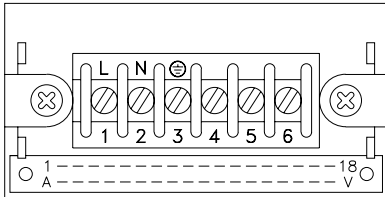
**Figure 4 Label Placement**

## 11.0 POWER AND SIGNAL INPUT CONNECTIONS



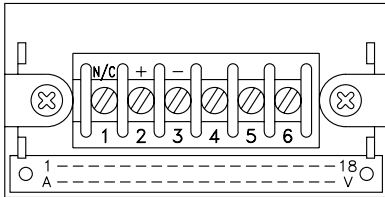
WARNING: Incorrect power input can damage your PANEL METER

### 11.1 POWER CONNECTIONS



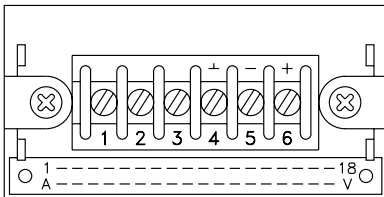
Terminal Connection	AC Versions	Wire Color	Wire Color
		USA	Other
1	AC power HI	Black	Brown
2	AC power LO (neutral)	White	Blue
3	AC power GND	Green	Green

#### REAR TERMINAL VIEW



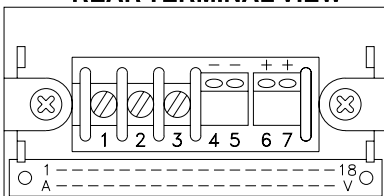
Terminal Connection	DC Versions
1	No connection
2	DC power +
3	DC power - (return)

### 11.2 SIGNAL INPUT CONNECTIONS



Terminal Connection	6 Terminal Versions Signal
4	Analog GND
5	Signal LO
6	Signal HI

#### REAR TERMINAL VIEW



Terminal Connection	7 Terminal Versions Signal
4	-E (Excitation return)
5	-S (Signal LO input)
6	+S (Signal HI input)
7	+E (Excitation output)

## 12.0 CONFIGURATION PROCEDURE

This procedure is used to set the decimal point of the display and interface board signal bypass selections for the configuration of the \_9XXXX display and power options 90 through 98 (see Cross Reference).

The main assembly's configuration can be configured using the push-on jumpers provided or already positioned on the pin-forests. Pin-forest designations are shown at the top of every page of the configuration charts.

## 13.0 CONFIGURATION CHARTS

### 13.1 DECIMAL POINT SELECTION

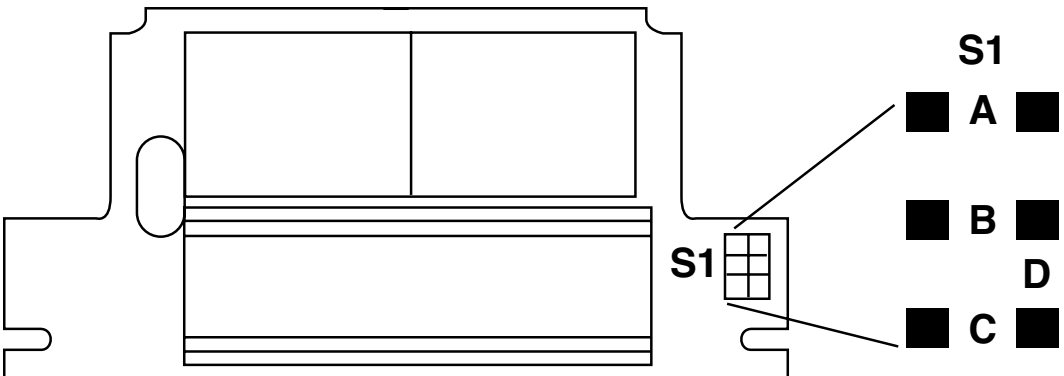
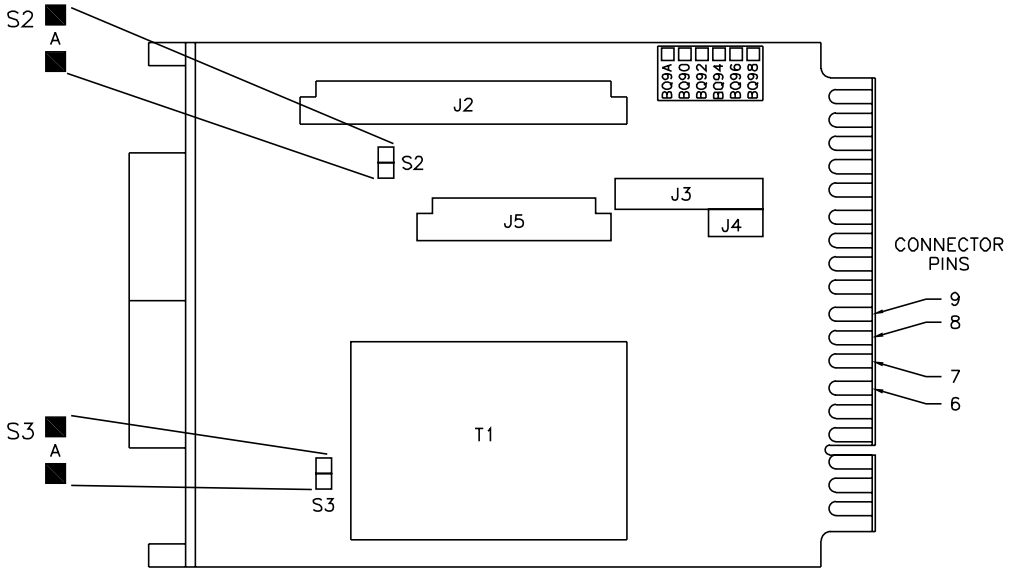


Figure 10

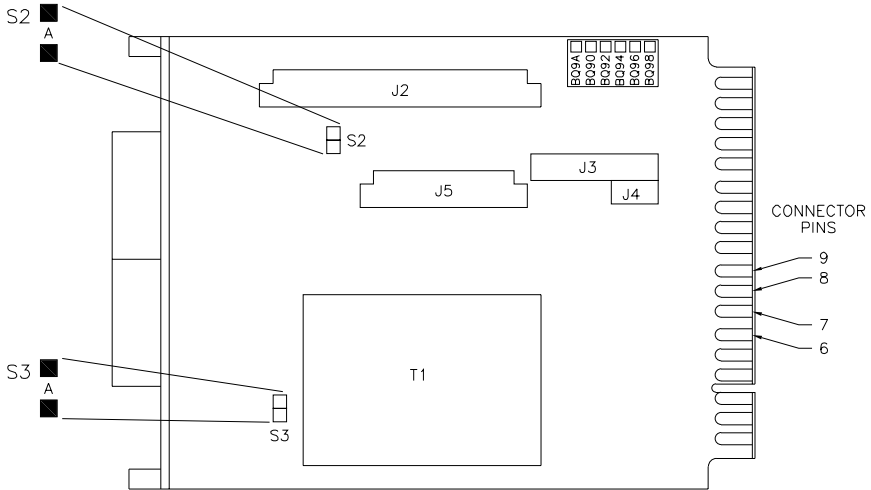
Step 1:	Remove all push-on jumpers not used in the desired configuration(s).	
Step 2:	Select the desired configuration from the chart below, and install the push-on jumpers indicated.	
Decimal Point Selection	S1	Alternate Decimal Point Selection Using Main Assembly Board (J1) Connector
Decimal Point (9.999)	A	Connect J1-K/9 to J1-6
Decimal Point (99.99)	B	Connect J1-J/8 to J1-6
Decimal Point (999.9)	C	Connect J1-H/7 to J1-6

### 13.2 INTERFACE BOARD SIGNAL BYPASS SELECTION



Step 1: Check your part number for a zero (0) in the following position; <b>_9XX0X</b> . If there is a zero (0) in that position, interface board signal bypass is required.	
Step 2: Remove all push-on jumpers not used in the desired configuration(s).	
Step 3: Select the desired configuration from the chart below, then install the push-on jumpers indicated.	
Interface Board Signal Configuration	S2
Interface Board Signal Bypass	A

### 13.3 REFERENCE VOLTAGE (RV1, RV2)



Step 1: Remove all push-on jumpers not used in the desired configuration(s).		
Step 2: Select the desired configuration from the chart below, then install the push-on jumpers indicated.		
Reference Voltage Configuration		S3
RV1	1 Volt	A
RV2	2 Volts	-



## **14.0 TESTS & DIAGNOSTICS**

### **14.1 TEST CONFIGURATION REQUIREMENTS**

The \_9000 main assembly is designed to function with a signal conditioner board as a minimum configuration. There is no provision for testing a main assembly alone.

### **14.2 SIGNAL INPUT REQUIREMENTS**

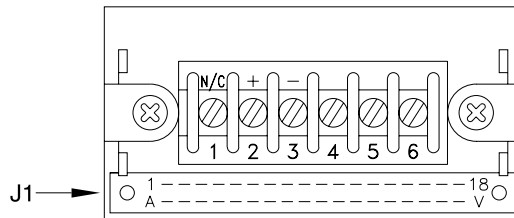
Signal input requirements for your configuration are identified in the signal conditioner section of this manual.

## 15.0 MAIN BOARD CONNECTOR PINOUTS (J1)

(Left to right, looking at rear of case)

<u>Connection</u>	<u>Function</u>	
A - 1	Spare	
B	Oscillator	100 kHz
2	-8.2 V dc	Analog power
C - 3	Spare	
D	+ Pol (sign)	+ Polarity sign
4	HOLD	Led version only
E - 5	Spare	
F	Buffer	Integrator output
6	Digital Ground	
H - 7	999.9 (Decimal point)	Use with pin 6
J - 8	99.99 (Decimal point)	Use with pin 6
K - 9	9.999 (Decimal point)	Use with pin 6
L - 10	Test	Use with pin M/11
M - 11	+5 V dc	Analog & digital power
N - 12	Analog output	Standard 0.1 mV/count
P - 13	Spare	
R	Spare	
14	Used with H & S options - Excitation sense	
S - 15	Analog Ground	
T - 16	Analog Option - Return	Used with analog option
U	Analog Option - Out	Used with analog option
17	+30 V dc	Unregulated power
V - 18	Spare	Used with S option + Excitation sense
-	Indicates common pin	

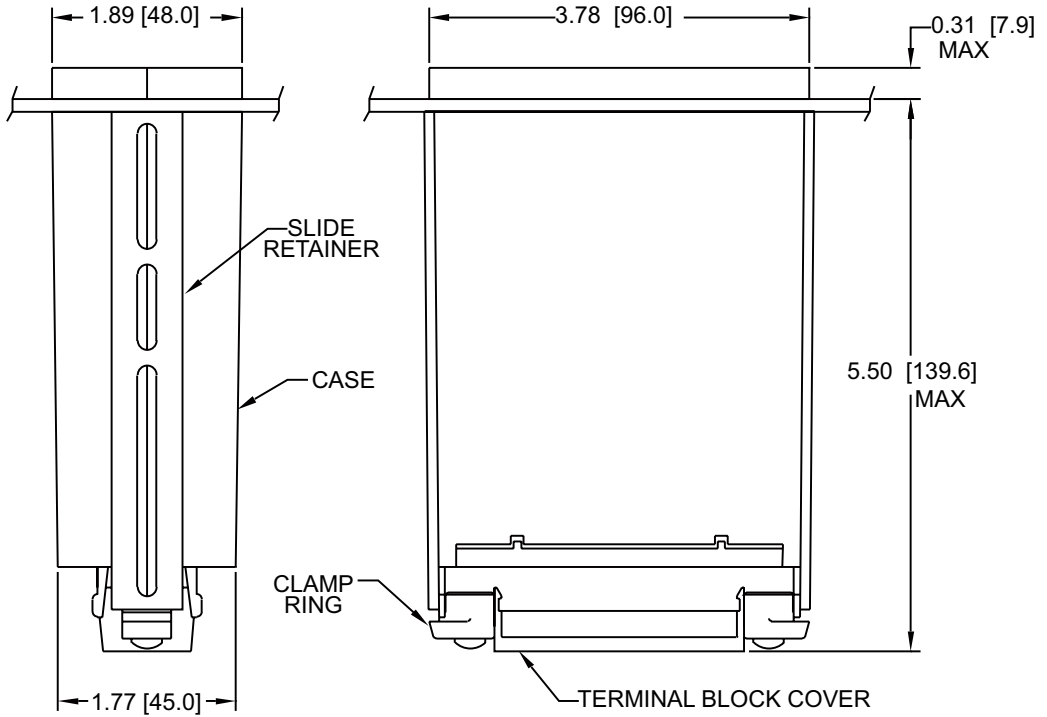
50 mA maximum power available from all internal sources



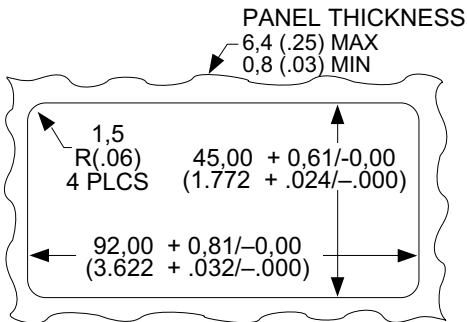
REAR TERMINAL VIEW

## 16.0 DRAWINGS

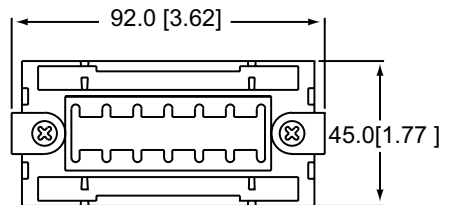
### 16.1 DIMENSIONS



Notes: Dimensions are in inches  $\pm 0.01"$   
with millimeters in [ ]  $\pm 0.25$  mm.



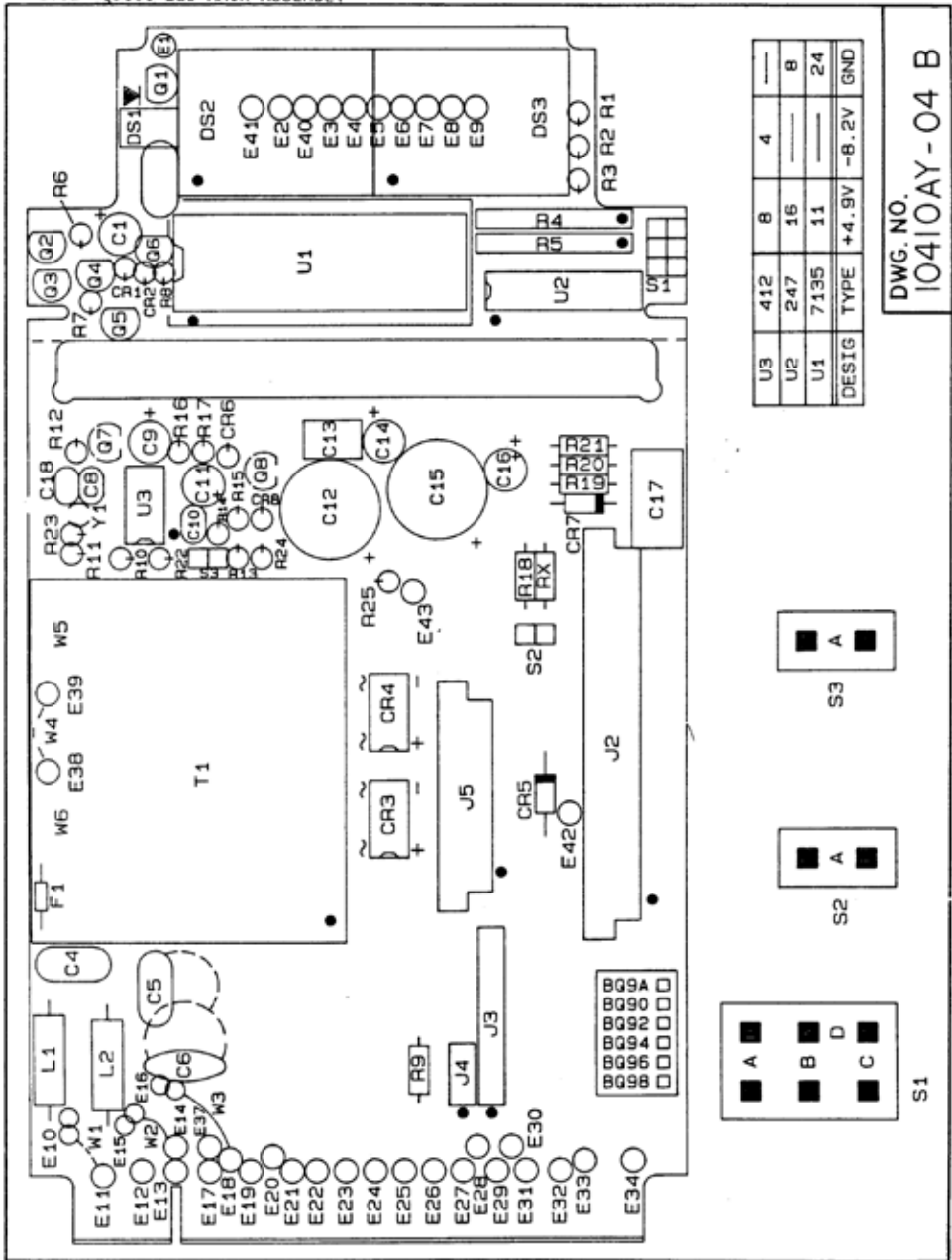
NOTE: Dimensions in Millimeters (Inches)



#### REAR VIEW

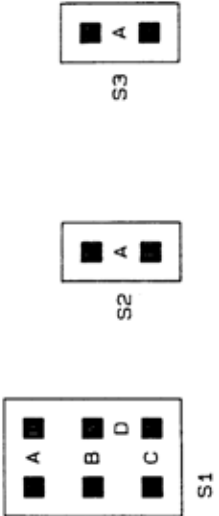
(TERMINAL BLOCK COVER AND  
BEZEL NOT SHOWN FOR CLARITY)  
SLIDE CLAMPS ROTATED AND SLIDE RETAINERS  
REMOVED AS SHOWN FOR INSTALLATION.

# 16.2 4 DIGIT LED MAIN ASSEMBLY



DESIG	TYPE	+4.9V	-8.2V	GND
U1	7135	11	---	24
U2	247	16	---	8
U3	412	8	4	---

DWG. NO.  
10410AY-04 B





**17.0 17.0 SPECIFICATIONS: BSCF TRUE-RMS VOLTAGE - BSCF/G TRUE RMS CURRENT  
(\_2000F, \_2000G) AC RMS VOLTAGE, AC RMS CURRENT**

**17.1 GENERAL**

The basic signal conditioner board is identified as a BSCF (\_2000F or \_9000F) for true-RMS voltage input. The \_2000 and \_9000 prefix is determined by the main assembly board used with the BSCF option board. When the BSCF board is configured differently, it is identified as a BSCF/G (\_2000G or \_9000G), used for ac RMS current input.

**17.2 BSCF: TRUE-RMS VOLTAGE SIGNAL CONDITIONER**

Five full-scale ranges are provided in the \_2000F and \_9000F series.

See TRUE-RMS VOLTAGE INPUT tables Section 20. The true-RMS -to-DC converter is a monolithic integrated circuit which computes the true-RMS value of complex input signals containing both AC and DC components. It converts the true-RMS values to DC outputs or inputs with a crest factor of 2:1 or less.

**17.3 BSCF/G: TRUE-RMS CURRENT SIGNAL CONDITIONER**

Ten current ranges are provided in this series. Special full-scale (FS) ranges for other current transformers can be provided on special order. See TRUE-RMS CURRENT INPUT tables in Section 21.

The true-RMS -to-DC converter is a monolithic integrated circuit which computes the true-RMS value of complex input signals containing both AC and DC components. It converts the RMS values to DC outputs or inputs with a minimum crest factor of 2:1 at full scale input.

**17.4 \_2000F & \_9000F: AC VOLTAGE INPUT SPECIFICATIONS**

Configuration: Single-ended, meter ground common to signal LO  
Zero: Automatic

\_2000F: TRUE-RMS VOLTAGE INPUT SPECS

<b>RANGE</b>	<b>INPUT IMPEDANCE</b>	<b>RESOLUTION</b>	<b>FREQUENCY RANGE</b>
0.1999 V	1.1 M ohm	0.1 mV	47Hz to 1KHz
1.999 V	1.1 M ohm	1 mV	47Hz to 1KHz
19.99 V	1 M ohm	10 mV	47Hz to 1KHz
199.9 V	1 M ohm 150.0 V for CE	100 mV	47Hz to 1KHz
650 V	10 M ohm 150 V for CE	1V	47Hz to 1KHz

Provides true-RMS accuracy for non-sinusoidal inputs with a crest factor of 2:1 or less.

## \_9000F TRUE-RMS VOLTAGE INPUTS

RANGE	INPUT IMPEDANCE	RESOLUTION	FREQUENCY RANGE
99.99 mV	1.1 MOhm	10 $\mu$ V	47 Hz to 1 kHz
999.9 mV	1.1 MOhm	100 $\mu$ V	47 Hz to 1 kHz
9.999 V	1 MOhm	1 mV	47 Hz to 1 kHz
99.99 V	1 MOhm	10 mV	47 Hz to 1 kHz
650 V	10 MOhm	100 mV	47 Hz to 1 kHz

Provides true-RMS accuracy for non-sinusoidal inputs with a crest factor of 4:1 or less at full scale.

### Common Mode

Analog ground to AC power ground

CMR at DC to 60 Hz  
CMV at DC to 60 Hz

120 dB  
 $\pm 1500$  Vp per HV test  
 $\pm 354$  Vp per IEC spacing

### Accuracy at 25° C

Maximum errors  
(1 to 100% FS)

\_2000F  
\_9000F

$\pm 0.25\%R \pm 1$  count  
 $\pm 0.25\%R \pm 10$  counts

Reading Tempco  
Zero Tempco  
Warmup to rated accuracy

$\pm 0.01\% R/^{\circ}C$   
 $\pm 0.1$  count/ $^{\circ}C$   
Less than 30 minutes

## 17.5 \_2000G & \_9000G: TRUE-RMS CURRENT INPUT SPECIFICATION

Configuration                      Single-ended, meter ground common to signal low

Please note:

For minimum voltage calibration, do not adjust the zero pot at 0 volts. See calibration procedure for detail information.

**\_2000G TRUE RMS Current Inputs**

Range	Input Impedance (200 mV Shunt)	Resolution	Frequency Range
19.99 $\mu$ A	10 k $\Omega$ m	0.01 $\mu$ A	47 Hz-1 kHz
199.9 $\mu$ A	1 k $\Omega$ m	0.1 $\mu$ A	
1.999 mA	100 $\Omega$ m	1 $\mu$ A	
19.99 mA	10 $\Omega$ m	10 $\mu$ A	
199.9 mA	1 $\Omega$ m	100 $\mu$ A	
1.999 A	0.1 $\Omega$ m	1 mA	
5.00 A *	0.01 $\Omega$ m	2.5 mA	
19.99 A	5 A CT	10 mA	
199.9 A	5 A CT	100 mA	
1999 A	5 A CT	1 A	

Provides true RMS accuracy for non-sinusoidal inputs with a crest factor of 2:1 or less.

\* 50 mV shunt for a 5 A current transformer input.

**\_2000G SPECIAL FULL-SCALE COUNTS (50 mV or 5 A FULL-SCALE)**

COUNT RANGE	R15 (1%)	COUNT RANGE	R15 (1%)
1900 to 2100	-	525 to 575	15.4 k $\Omega$ m
1720 to 1900	523 k $\Omega$ m	475 to 525	13.3 k $\Omega$ m
1560 to 1720	215 k $\Omega$ m	435 to 475	11.8 k $\Omega$ m
1415 to 1560	130 k $\Omega$ m	390 to 435	10.5 k $\Omega$ m
1285 to 1415	93.1 k $\Omega$ m	355 to 390	8.87 k $\Omega$ m
1165 to 1285	69.8 k $\Omega$ m	325 to 355	7.87 k $\Omega$ m
1055 to 1165	53.6 k $\Omega$ m	295 to 325	6.98 k $\Omega$ m
955 to 1055	47.5 k $\Omega$ m	270 to 295	6.04 k $\Omega$ m
860 to 955	38.3 k $\Omega$ m	250 to 270	5.49 k $\Omega$ m
775 to 860	29.4 k $\Omega$ m	230 to 250	4.87 k $\Omega$ m
700 to 775	24.3 k $\Omega$ m	210 to 230	4.42 k $\Omega$ m
635 to 700	20.5 k $\Omega$ m	190 to 210	3.83 k $\Omega$ m
575 to 635	18.2 k $\Omega$ m		



## Q9000G TRUE RMS CURRENT INPUTS

Range	Input Impedance (100 mV Shunt)	Resolution	Frequency Range
9.999 $\mu$ A	10 k $\Omega$ m	1 nA	47 Hz-1 kHz
99.99 $\mu$ A	1 k $\Omega$ m	10 nA	
999.9 $\mu$ A	100 $\Omega$ m	100 nA	
9.999 mA	10 $\Omega$ m	1 $\mu$ A	
99.99 mA	1 $\Omega$ m	10 $\mu$ A	
0.999 A	0.1 $\Omega$ m	100 $\mu$ A	
5.00 A *	0.01 $\Omega$ m	500 $\mu$ A	
9.999 A	5 A CT	1 mA	
99.99 A	5 A CT	10 mA	
999.9 A	5 A CT	100 mA	

Provides true RMS accuracy for non-sinusoidal inputs with a crest factor of 4:1 or less.

\* 50mV shunt for 5 A current transformer input with main board reference of 2V (from RV2 on main board)

## Q9000G SPECIAL FULL-SCALE COUNTS (5 A FULL-SCALE)

COUNT RANGE	R15 (1%)	COUNT RANGE	R15 (1%)
9500 to 10500	-	2625 to 2875	15.4 k $\Omega$ m
8600 to 9500	523 k $\Omega$ m	2375 to 2625	13.3 k $\Omega$ m
7800 to 8600	215 k $\Omega$ m	2175 to 2375	11.8 k $\Omega$ m
7075 to 7800	130 k $\Omega$ m	1950 to 2175	10.5 k $\Omega$ m
6425 to 7025	93.1 k $\Omega$ m	1775 to 1950	8.87 k $\Omega$ m
5825 to 6425	69.8 k $\Omega$ m	1625 to 1775	7.87 k $\Omega$ m
5275 to 5825	53.6 k $\Omega$ m	1475 to 1625	6.98 k $\Omega$ m
4775 to 5275	47.5 k $\Omega$ m	1350 to 1475	6.04 k $\Omega$ m
4300 to 4775	38.3 k $\Omega$ m	1250 to 1350	5.49 k $\Omega$ m
3875 to 4300	29.4 k $\Omega$ m	1150 to 1250	4.87 k $\Omega$ m
3500 to 3875	24.3 k $\Omega$ m	1050 to 1150	4.42 k $\Omega$ m
3175 to 3500	20.5 k $\Omega$ m	950 to 1050	3.83 k $\Omega$ m
2875 to 3175	18.2 k $\Omega$ m		

### Common Mode

Analog ground to ac power ground

CMR @ dc to 60 Hz

120 dB

CMR @ dc to 60 Hz

$\pm 1500$  Vp per HV test

$\pm 354$  Vp per IEC spacing

### Accuracy @ 25°C

Maximum Error

(1 to 100% of FS)

2000G

$\pm 0.25\%$  R  $\pm 1$  count

9000G

$\pm 0.25\%$  R  $\pm 10$  counts

Reading Tempco

$\pm 0.01\%$  R/°C

Zero Tempco

$\pm 0.1$  count/°C

Warmup to rated accuracy

30 minute

## 18.0 SIGNAL INPUT CONNECTIONS (TB1) (SEE FIGURE 5)

18.1 The signal input connections for the BSCF (\_2000F) AC RMS Voltage Signal Conditioner are made at the standard 3-terminal barrier strip:

Terminal Connection	Signal	Input
4	Signal HI (dc coupled)	●
5	Signal LO	● ————— AC
6	Signal HI (ac coupled)	● ————— Coupled

Terminal Connection	Signal	Input
4	Signal HI (dc coupled)	● ————— DC
5	Signal LO	● ————— Coupled
6	Signal HI (ac coupled)	●

18.2 The signal input connections for the \_2000G and \_9000G true RMS Current Signal Conditioner are made at the standard 3-terminal barrier strip:

Terminal Connection	Signal	Input
4	Signal HI (dc coupled)	●
5	Signal LO	● ————— AC
6	Signal HI (ac coupled)	● ————— Coupled

Terminal Connection	Signal	Input
4	Signal HI (dc coupled)	● ————— DC *
5	Signal LO	● ————— Coupled
6	Signal HI (ac coupled)	● ————— Coupled

\* Terminals 4 & 6 must be connected. An alternate method is to replace **R2** on the signal conditioner barrier board with a wire.

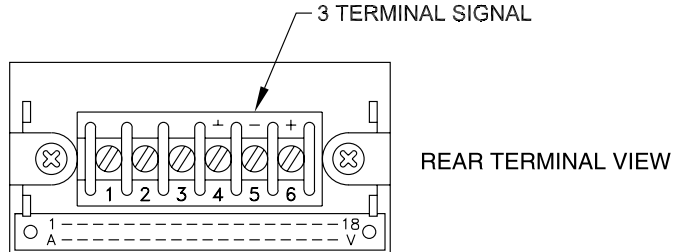


FIGURE 5. SIGNAL INPUT CONNECTIONS

## 19.0 TESTS & DIAGNOSTICS

The signal conditioner board BSCF is designed to function with a main assembly as a minimum configuration. There is no provision for testing a signal conditioner board alone.

Signal input requirements for your configuration are identified in the specifications for the BSCF signal conditioner.

Operating power and connections for your configuration are identified in the Main Assembly Section of this manual.

Note: If using Main Assembly \_2000, refer to Section BQ20/BQ29.  
If using Main Assembly \_9000 refer to Section BQ90/BQ98

Inspect the panel meter for physical damage. If damage is apparent, resolve the damage with the shipper or your supplier. Save all packing materials.

### 19.1 FUNCTIONAL ELECTRICAL TESTING

NOTE: Perform this test after your meter has been configured.

1. Short terminals 4, 5, and 6 on barrier strip (TB1).
2. Apply proper power for your configuration to terminals 1, 2 and 3 on barrier strip (TB1). Display will read approximately zero (0000).

## 20.0 CONFIGURATION PROCEDURES

### 20.1 GENERAL

This procedure is used to determine the configuration of the true RMS voltage (BSCF) or true RMS current (BSCF/G).

The unit can be configured using the push-on jumpers provided separately or already positioned on the pin forests. Pin forest designations are shown at the top of every page of configuration.

### 20.2 GLOSSARY

The chart below explains various terms which appear throughout the following procedure:

#### Voltage Range

<b>Selection</b>	<b>RMS Input Range</b>
FVR1/F1	Voltage Range (0/50 mV RMS Input) (_2000 only)
FVR2/F2	Voltage Range (0/200 mV RMS Input)
FVR3/F3	Voltage Range (0/2 V RMS Input)
FVR4/F4	Voltage Range (0/20 V RMS Input)
FVR5/F5	Voltage Range (0/200 V RMS Input) (0/150 V for CE)
FVR6/F6	Voltage Range (0/650 V RMS Input) (0/150 V for CE)

## Current Range

### **Selection**

GCR1/G1	Current Range (0/20 $\mu$ A RMS Input)
GCR2/G2	Current Range (0/200 $\mu$ A RMS Input)
GCR3/G3	Current Range (0/2 mA RMS Input)
GCR4/G4	Current Range (0/20 mA RMS Input)
GCR5/G5	Current Range (0/200 mA RMS Input)
GCR6/G6	Current Range (0/2 A RMS Input)
GCR7/G7	Current Range (0/5 A RMS Input)

### **RMS Input Range**

### **Abbr**

V1	Largest Input Voltage
I1	Largest Input Current

### **Definition**

## 20.3 SELECTION

If the Input is:

Voltage; then go to Section 20.3.1

Current; then go to Section 20.3.2

### 20.3.1 Input Voltage Range Selection (FVR/F 1, 2, 3, 4, 5, 6)

Specify the magnitude of the largest input voltage:

V1 = \_\_\_\_\_ Volts

Select the required range where V1 is equal to or less than the limit of that range.

FVR1/F1 = 50 mV RMS

FVR2/F2 = 200 mV RMS

FVR3/F3 = 2 V RMS

FVR4/F4 = 20 V RMS

FVR5/F5 = 200 V RMS

FVR6/F6 = 650 V RMS

FVR/F = \_\_\_\_\_

Proceed to Installation (Section 20.4)

### 20.3.2 Input Current Range Selection (GCR/G 1, 2, 3, 4, 5, 6, 7)

Specify the magnitude of the largest input current:

I1 = \_\_\_\_\_ mA

Select the required current range where I1 is equal to or less than the limit of that range.

GCR1/G1 = 20  $\mu$ A RMS

GCR2/G2 = 200  $\mu$ A RMS

GCR3/G3 = 2 mA RMS

GCR4/G4 = 20 mA RMS

GCR5/G5 = 200 mA RMS

GCR6/G6 = 2 A RMS

GCR7/G7 = 5 A RMS

GCR/G = \_\_\_\_\_

Based on the current range selected pick a shunt resistor (R1) from the following:

GCR1/G1 = 10 kOhm, 1%, 1/8W, MF (P/N 8211002)

GCR2/G2 = 1 kOhm, 1%, 1/8W, MF (P/N 8211001)

GCR3/G3 = 100 Ohm, 1%, 1/8W, MF (P/N 8211009)

GCR4/G4 = 10 Ohm, 1%, 1/8W, MF (P/N 8211008)

GCR5/G5 = 1.0 Ohm, 1%, 1/8W, WW (P/N 8710006)

GCR6/G6 = 0.1 Ohm, 1%, 1/2W, WW (P/N 8910005)

GCR7/G7 = 0.01 Ohm, 1%, 2W, WW (P/N 8910004)

Proceed to Installation (Section 20.4)

## **20.4 INSTALLATION**

### **20.4.1 GENERAL**

Select the Voltage Range (FVR1-6/F1-6), or Current Range (GCR1-7/G1-7), required and install the push-on jumpers per Section 21.1 and 21.2, depending upon which range is required.

### **20.4.2 REFERENCE VOLTAGE(\_9000F OR \_9000G ONLY)**

Select the Voltage Range RV1 by installing push-on jumper A as per Subsection 13.3 in Main Assembly Section BQ90/BQ98.

Note: Select the RV2 reference if using the GCR7 range. Remove any jumpers in the S3 position as per Subsection 13.3.

### **20.4.2 CURRENT**

If a Current Range (GCR1-7/G1-7) is selected, you must install the shunt resistor (R1) chosen. Install the shunt resistor (R1) per Section 21.2

### **20.4.3 DECIMAL POINT**

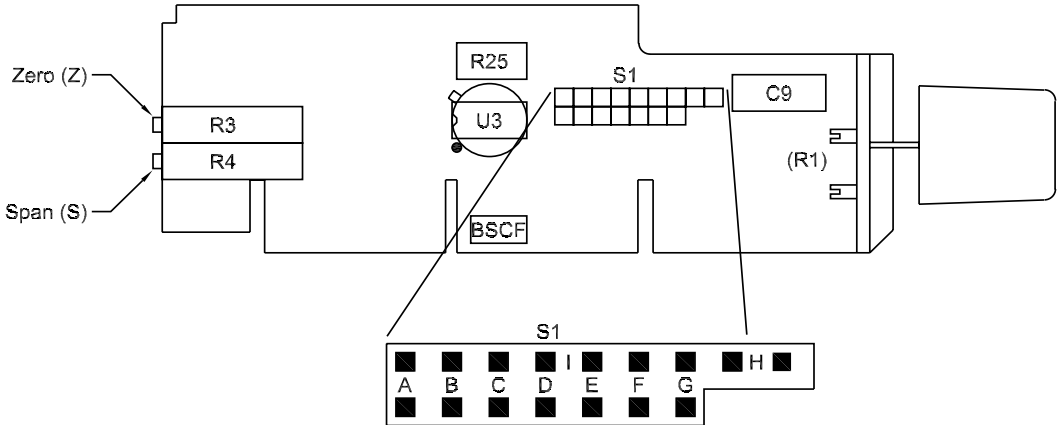
If a decimal point is required, refer to the appropriate Main Assembly Section for location and configuration procedure.

NOTE: If using Main Assembly \_2000, refer to Section \_20/\_29.

If using Main Assembly \_9000, refer to Section \_20/\_98

## 21.0 CONFIGURATION CHARTS

### 21.1 INPUT VOLTAGE (F1, 2, 3, 4, 5, 6) (FVR1, 2, 3, 4, 5, 6)

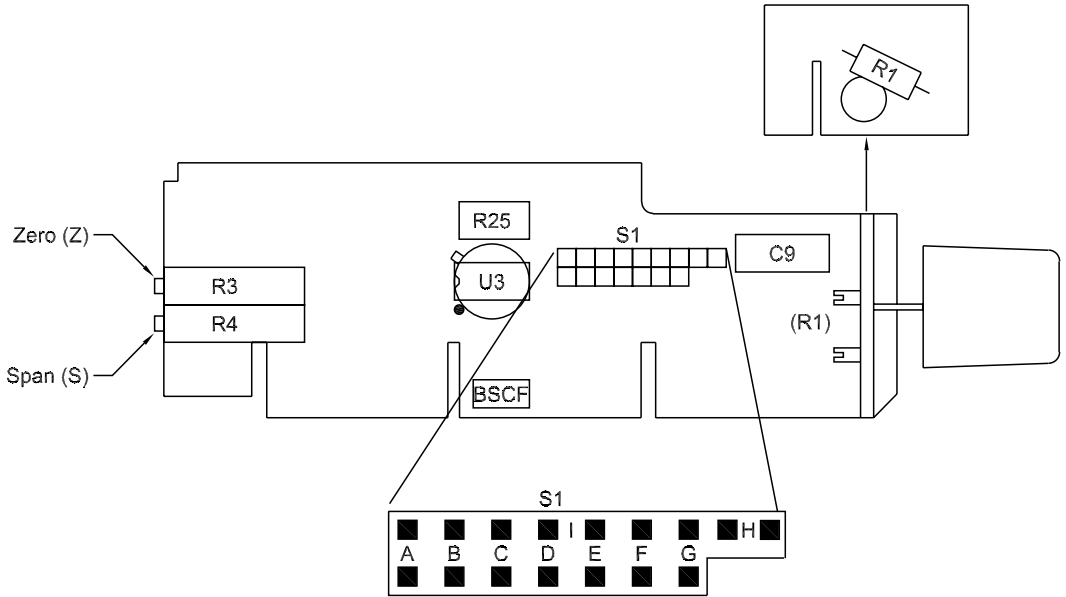


**Step 1:** Remove all push-on jumpers not used in the desired configuration(s).

**Step 2:** Select the desired configuration from the chart below, and install the push-on jumpers indicated.

Input Voltage Configuration		S1					Used On
FVR1/F1	50 mV	F	G	H	I	-	_2000F/_9000F
FVR2/F2	200 mV	A	B	F	H	G	_2000F/_9000F
FVR3/F3	2 V	A	B	E	H	G	_2000F/_9000F
FVR4/F4	20 V	A	B	C	H	G	_2000F/_9000F
FVR5/F5	200V(150V Max for CE)	A	B	D	H	G	_2000F/_9000F
FVR6/F6	650V(150V Max for CE)	A	B	D	-	-	_2000F/_9000F

## 21.2 INPUT CURRENT(G1, 2, 3, 4, 5, 6, 7) (GCR1, 2, 3, 4, 5, 6, 7)



**Step 1:** Remove all push-on jumpers not used in the desired configuration(s).

**Step 2:** Select the desired configuration from the chart below, and install the push-on jumpers indicated.

Input Current Configuration		S1					R1	Used On
GCR1/G1	20 uA Input	A	B	F	H	G	10 kOhm	_2000G/_9000G
GCR2/G2	200 uA Input	A	B	F	H	G	1 kOhm	_2000G/_9000G
GCR3/G3	2 mA Input	A	B	F	H	G	100 Ohm	_2000G/_9000G
GCR4/G4	20 mA Input	A	B	F	H	G	10 Ohm	_2000G/_9000G
GCR5/G5	200 mA Input	A	B	F	H	G	1.0 Ohm	_2000G/_9000G
GCR6/G6	2 A Input	A	B	F	H	G	0.1 Ohm	_2000G/_9000G
GCR7/G7	5 A Input	-	F	H	G	I	0.01 Ohm	_2000G/_9000G



## 22.0 CALIBRATION \_2000 F/G

Define the input for full scale (Span pot) and zero (Zero pot) and apply to the calibration procedures at the bottom of the page.

### 22.1 VOLTAGE RANGES (FVR1-6/F1-6)

For FVR1-5/F1-5:                      Full Scale = 2000 counts                      1% FS = 20 counts

NOTE: Full Scale for FVR6/F6 is 650 V. Adjust the S pot to display a reading of 650 and Z pot to read 20.

### 22.2 CURRENT RANGES (GCR1-7/G1-7)

Full Scale = 2000 counts                      1% FS = 20 counts

## 23.0 CALIBRATION \_9000 F/G

Define the input for full scale (Span pot) and zero (Zero pot) and apply to the calibration procedures at the bottom of the page.

### 23.1 VOLTAGE RANGES (FVR1-6/F1-6)

Full Scale = 10000 counts                      1% FS = 100 counts

NOTE: Full Scale for FVR6/F6 is 650 V. Adjust the S pot to display a reading of 650.0 and Z pot to read 10.0 .

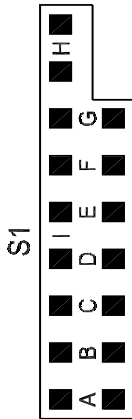
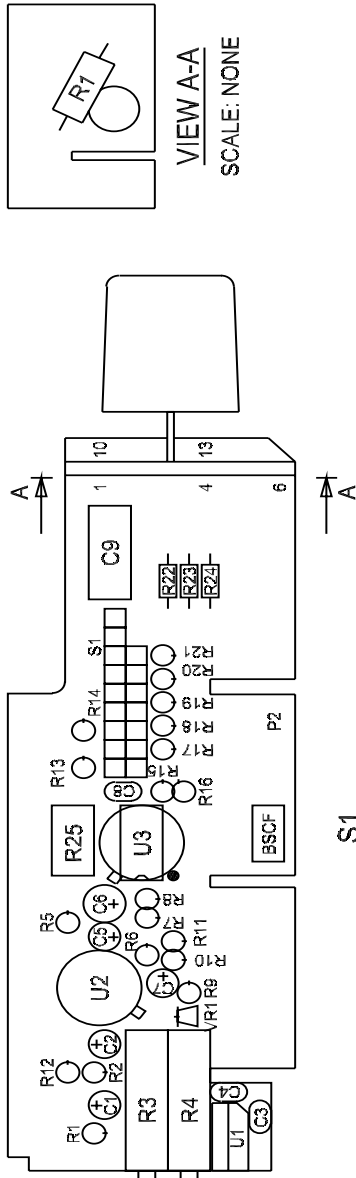
### 23.2 CURRENT RANGES (GCR1-7/G1-7)

Full Scale = 10000 counts                      1% FS = 100 counts

## 22.3 CALIBRATION PROCEDURES FOR \_2000 AND \_9000

1. Apply an input equal to 1% of full scale (FS)
2. Null the input amplifier. Adjust the zero (Z) pot, R3 clockwise or counter-clockwise for a minimum reading on the display. The point where the digits reverse order (lower to higher) will be the null.
3. After adjusting the null, **slowly** adjust the internal zero-width (R25) pot to display the proper reading (1% of full scale).
4. Apply an input signal equal to 95% of the high end of the range selected and adjust the span pot (S), R4, for the proper reading (95% of full scale).
5. Repeat steps above as required for best overall linearity.

24.0 BSCF ASSEMBLY DIAGRAM



CURRENT RANGE CONFIGURATION		S1									R1
CR1	20µA INPUT	F	B	F	G	H	H	H	H	H	10KΩ
CR2	200µA INPUT	A	B	F	G	H	H	H	H	H	1KΩ
CR3	2MA INPUT	A	B	F	G	H	H	H	H	H	100Ω
CR4	20MA INPUT	A	B	F	G	H	H	H	H	H	10Ω
CR5	200MA INPUT	A	B	F	G	H	H	H	H	H	1Ω
CR6	2A INPUT	A	B	F	G	H	H	H	H	H	0.1Ω
CR7	5A INPUT	A	F	G	H	H	H	H	H	H	0.01Ω

VOLTAGE RANGE CONFIGURATION		S1								
VR1	50MV INPUT	A	F	G	H	H	H	H	H	H
VR2	200MV INPUT	A	B	F	G	H	H	H	H	H
VR3	2V INPUT	A	B	E	G	H	H	H	H	H
VR4	20V INPUT	A	B	C	G	H	H	H	H	H
VR5	200V INPUT	A	B	D	G	H	H	H	H	H
VR6	2KV INPUT	A	B	D	—	—	—	—	—	—
DC1	DIRECT COUPLED	—	A	—	—	—	—	—	—	—

150 V Max for CE  
150 V Max for CE

DRAWING NO.  
**10282AY-03 E**

Assembly Diagram Used on Signal Conditioner Board BSCF (\_2000F & \_2000G)

## 25.0 DIGITAL PANEL METER INSTALLATION INSTRUCTIONS

### IMPORTANT:

For proper installation, electrical connections must be made according to the model number on the meter label. Write the model number in the following space and use the appropriate instructions for your model number.

Model prefix	_____	_____	_____	_____	_____
Model Number	__2	___	___	___	___
Model Number	__9	___	___	___	___

Power requirement (Section 25.3)

Analog output (see Analog Output Manual)

Control output (see Controller/ Interface Manual)

Signal input (Section 26.0)

### 25.1 UNPACKING & INSPECTION

Your Digital Panel Meter was systematically inspected and tested, then carefully packed before shipment

Unpack the instrument and inspect for obvious shipping damage. Notify the freight carrier immediately upon discovery of any shipping damage.

## 25.2 MECHANICAL INSTALLATION

Insure that the panel cutout dimensions are as shown on Figure 6.

Remove the lower printed circuit board edge connector, (if installed) J1, by pushing two molded plastic tabs away from the connector body and pulling the connector off the printed circuit board. Remove the printed circuit board edge connector, J2, if upper board output option was ordered.

Loosen two clamp screws on the rear of the case enough to rotate the two slide clamps.

Slide the two slide retainers toward the rear of the case and remove them.

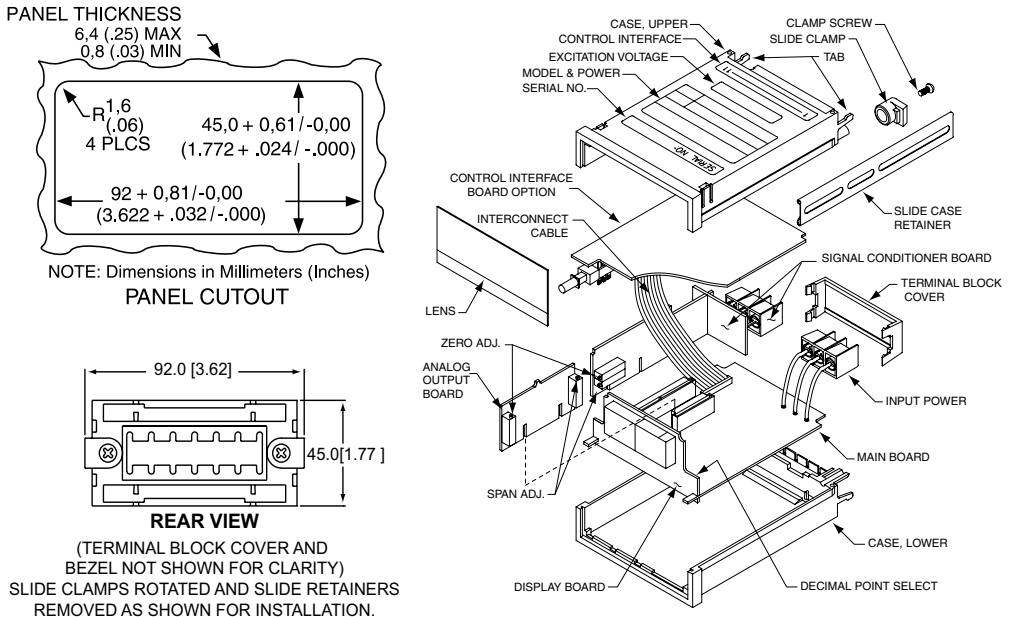
From the front of the panel, insert the meter into the panel cutout.

Slide the slide retainers back into the case and push up tightly against the rear of the case.

Rotate the slide clamps back into their original position and tighten enough to hold the case in place. Overtightening can break the clamps.

Install the lower printed circuit board edge connector, if supplied, by pushing it on to the printed circuit board connections. Install the upper printed circuit board edge connector, if used.

**Figure 6 Panel Cutout Dimensions & Installation**



## 25.3 POWER REQUIREMENTS & CONNECTIONS (TB1)

### 25.3.1 The standard meter is wired to operate from one of five power sources

<u>Models</u>	<u>Power Requirements</u>
_20XXX, _21XXX, _90XXX	120 V ac (50-60 Hz)
_22XXX, _23XXX, _92XXX	240 V ac (50-60 Hz)
_24XXX, _25XXX, _94XXX	9-32 V dc
_26XXX, _27XXX, _96XXX	5 V dc
_28XXX, _29XXX, _98XXX	24 V ac (50-60 Hz)

**25.3.2 Regardless of the power source used, connections are made to the same terminal barrier strip, TB1, as follows:**

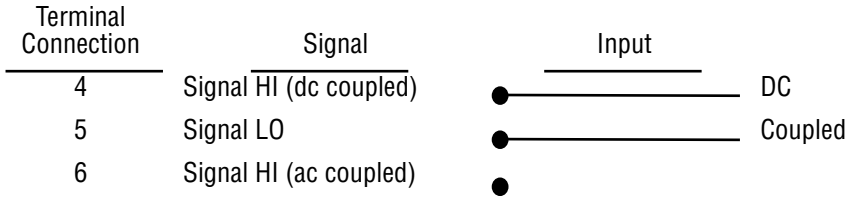
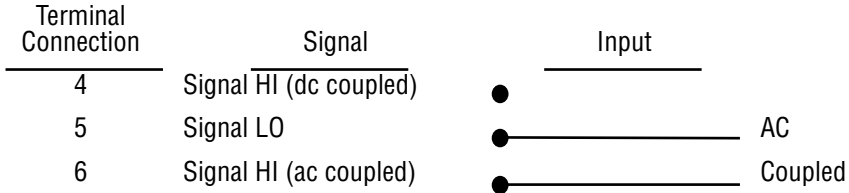
<u>Terminal Connection</u>	<u>AC Versions</u>	<u>Wire Color</u>
1	AC power HI	Black
2	AC power LO (neutral)	White
3	AC power ground	Green

### REAR TERMINAL VIEW

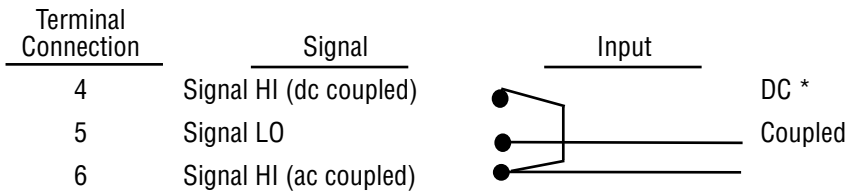
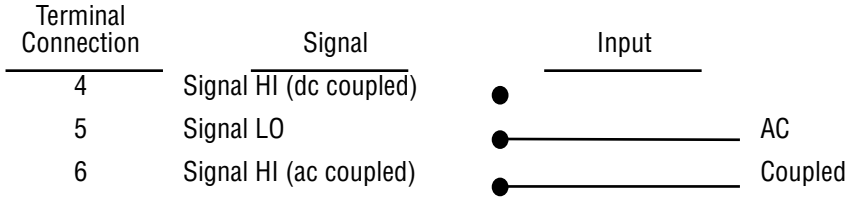
<u>TB1 Terminal Connection</u>	<u>DC Operation</u> 5 V or 9-32 V
1	No connection
2	DC power +
3	DC power - (return)

## 26.0 SIGNAL INPUT CONNECTIONS (TB1)

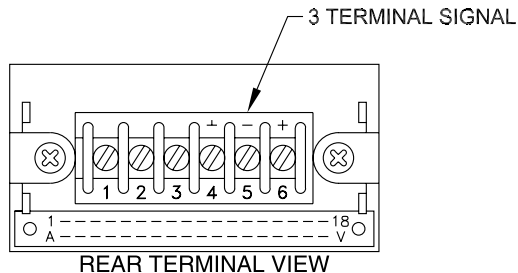
**26.1 The signal input connections for the BSCF (\_2XXXF) AC RMS Voltage Signal Conditioner are made at the standard 3-terminal barrier strip:**



**26.2 The signal input connections for the \_2XXXG AC RMS Current Signal Conditioner are made at the standard 3-terminal barrier strip:**



\* Terminals 4 & 6 must be connected. An alternate method is to replace **R2** on the signal conditioner barrier board with a wire.



## Warranty/Disclaimer

NEWPORT ELECTRONICS, INC. warrants this unit to be free of defects in materials and workmanship for a period of one (1) year from date of purchase. In addition to NEWPORT's standard warranty period, NEWPORT ELECTRONICS will extend the warranty period for one (1) additional year if the warranty card enclosed with each instrument is returned to NEWPORT.

If the unit should malfunction, it must be returned to the factory for evaluation. NEWPORT's Customer Service Department will issue an Authorized Return (AR) number immediately upon phone or written request. Upon examination by NEWPORT, if the unit is found to be defective it will be repaired or replaced at no charge. NEWPORT's WARRANTY does not apply to defects resulting from any action of the purchaser, including but not limited to mishandling, improper interfacing, operation outside of design limits, improper repair, or unauthorized modification. This WARRANTY is VOID if the unit shows evidence of having been tampered with or shows evidence of being damaged as a result of excessive corrosion; or current, heat, moisture or vibration; improper specification; misapplication; misuse or other operating conditions outside of NEWPORT's control. Components which wear are not warranted, including but not limited to contact points, fuses, and triacs.

**NEWPORT is pleased to offer suggestions on the use of its various products. However, NEWPORT neither assumes responsibility for any omissions or errors nor assumes liability for any damages that result from the use of its products in accordance with information provided by NEWPORT, either verbal or written. NEWPORT warrants only that the parts manufactured by it will be as specified and free of defects. NEWPORT MAKES NO OTHER WARRANTIES OR REPRESENTATIONS OF ANY KIND WHATSOEVER, EXPRESSED OR IMPLIED, EXCEPT THAT OF TITLE, AND ALL IMPLIED WARRANTIES INCLUDING ANY WARRANTY OF MERCHANTABILITY AND FITNESS FOR A PARTICULAR PURPOSE ARE HEREBY DISCLAIMED. LIMITATION OF LIABILITY: The remedies of purchaser set forth herein are exclusive and the total liability of NEWPORT with respect to this order, whether based on contract, warranty, negligence, indemnification, strict liability or otherwise, shall not exceed the purchase price of the component upon which liability is based. In no event shall NEWPORT be liable for consequential, incidental or special damages.**

CONDITIONS: Equipment sold by NEWPORT is not intended to be used, nor shall it be used: (1) as a "Basic Component" under 10 CFR 21 (NRC), used in or with any nuclear installation or activity; or (2) in medical applications or used on humans. Should any Product(s) be used in or with any nuclear installation or activity, medical application, used on humans, or misused in any way, NEWPORT assumes no responsibility as set forth in our basic WARRANTY/DISCLAIMER language, and additionally, purchaser will indemnify NEWPORT and hold NEWPORT harmless from any liability or damage whatsoever arising out of the use of the Product(s) in such a manner.

## Return Requests/Inquiries

Direct all warranty and repair requests/inquiries to the NEWPORT Customer Service Department. BEFORE RETURNING ANY PRODUCT(S) TO NEWPORT, PURCHASER MUST OBTAIN AN AUTHORIZED RETURN (AR) NUMBER FROM NEWPORT'S CUSTOMER SERVICE DEPARTMENT (IN ORDER TO AVOID PROCESSING DELAYS). The assigned AR number should then be marked on the outside of the return package and on any correspondence.

The purchaser is responsible for shipping charges, freight, insurance and proper packaging to prevent breakage in transit.

FOR **WARRANTY** RETURNS, please have the following information available BEFORE contacting NEWPORT:

1. P.O. number under which the product was PURCHASED,
2. Model and serial number of the product under warranty, and
3. Repair instructions and/or specific problems relative to the product.

FOR **NON-WARRANTY** REPAIRS, consult NEWPORT for current repair charges. Have the following information available BEFORE contacting NEWPORT:

1. P.O. number to cover the COST of the repair,
2. Model and serial number of product, and
3. Repair instructions and/or specific problems relative to the product.

NEWPORT's policy is to make running changes, not model changes, whenever an improvement is possible. This affords our customers the latest in technology and engineering.

NEWPORT is a registered trademark of NEWPORT ELECTRONICS, INC.

© Copyright 2013 NEWPORT ELECTRONICS, INC. All rights reserved. This document may not be copied, photocopied, reproduced, translated, or reduced to any electronic medium or machine-readable form, in whole or in part, without prior written consent of NEWPORT ELECTRONICS, INC.

For immediate technical or application assistance please call:

**1-800-6397678®**  
**1-800-NEWPORT**

---

Newport Electronics, Inc.  
2229 South Yale Street • Santa Ana, CA • 92704 • U.S.A.  
TEL: (714) 540-4914 • FAX: (203) 968-7311  
Toll Free: 1-800-639-7678 • [www.newportUS.com](http://www.newportUS.com) • e-mail: [info@newportUS.com](mailto:info@newportUS.com)  
ISO 9001 Certified

---

Newport Technologies, Inc.  
976 Bergar • Laval (Quebec) • H7L 5A1 • Canada  
TEL: (514) 335-3183 • FAX: (514) 856-6886  
Toll Free: 1-800-639-7678 • [www.newport.ca](http://www.newport.ca) • e-mail: [info@newport.ca](mailto:info@newport.ca)

---

Newport Electronics, Ltd.  
One Omega Drive • River Bend Technology Centre  
Northbank, Irlam • Manchester M44 5BD • United Kingdom  
Tel: +44 161 777 6611 • FAX: +44 161 777 6622  
Toll Free: 0800 488 488 • [www.newportuk.co.uk](http://www.newportuk.co.uk) • e-mail: [sales@newportuk.co.uk](mailto:sales@newportuk.co.uk)

---

Newport Electronics B.V.  
Postbus 8034 • 1180 LA Amstelveen • The Netherlands  
TEL: +31 20 3472121 • FAX: +31 20 6434643  
Toll Free: 0800 0993344 • [www.newport.nl](http://www.newport.nl) • e-mail: [info@newport.nl](mailto:info@newport.nl)

---

Newport Electronics spol s.r.o.  
Frystatska 184, 733 01 Karviná • Czech Republic  
TEL: +420 59 6311899 • FAX: +420 59 6311114  
Toll Free: 0800-1-66342 • [www.newport.cz](http://www.newport.cz) • e-mail: [info@newport.cz](mailto:info@newport.cz)

---

Newport Electronics GmbH  
Daimlerstrasse 26 • D-75392 Deckenpfronn • Germany  
TEL: 49 7056 9398-0 • FAX: 49 7056 9398-29  
Toll Free: 0800 / 6397678 • [www.newport.de](http://www.newport.de) • e-mail: [sales@newport.de](mailto:sales@newport.de)

---

Newport Electronique S.A.R.L.  
11, rue Jacques Cartier • 78280 Guyancourt • France  
TEL: +33 1 61 37 29 00 • FAX: +33 1 30 57 54 27  
Toll Free: 0800 466 342 • [www.newport.fr](http://www.newport.fr) • e-mail: [sales@newport.fr](mailto:sales@newport.fr)

---

Mexico and Latin America  
FAX: 001 (203) 359-7807  
En Español: 001 (203) 359-7803

<b>NEWPORTnet<sup>SM</sup> On-Line Service</b> <a href="http://www.newportUS.com">www.newportUS.com</a>
--

<b>Internet e-mail</b> <a href="mailto:info@newportUS.com">info@newportUS.com</a>
--

 **NEWPORT** Electronics, Inc.