

# Addendum for New QFN Package Migration

This addendum provides the changes to the 98A case outline numbers for products covered in this book. Case outlines were changed because of the migration from gold wire to copper wire in some packages. See the table below for the old (gold wire) package versus the new (copper wire) package.

To view the new drawing, go to [Freescale.com](http://Freescale.com) and search on the new 98A package number for your device.

For more information about QFN package use, see EB806: *Electrical Connection Recommendations for the Exposed Pad on QFN and DFN Packages*.

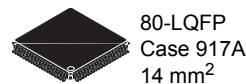
Part Number	Package Description	Original (gold wire) package document number	Current (copper wire) package document number
MC68HC908JW32	48 QFN	98ARH99048A	98ASA00466D
MC9S08AC16			
MC9S908AC60			
MC9S08AC128			
MC9S08AW60			
MC9S08GB60A			
MC9S08GT16A			
MC9S08JM16			
MC9S08JM60			
MC9S08LL16			
MC9S08QE128			
MC9S08QE32			
MC9S08RG60			
MCF51CN128			
MC9RS08LA8	48 QFN	98ARL10606D	98ASA00466D
MC9S08GT16A	32 QFN	98ARH99035A	98ASA00473D
MC9S908QE32	32 QFN	98ARE10566D	98ASA00473D
MC9S908QE8	32 QFN	98ASA00071D	98ASA00736D
MC9S08JS16	24 QFN	98ARL10608D	98ASA00734D
MC9S08QB8			
MC9S08QG8	24 QFN	98ARL10605D	98ASA00474D
MC9S08SH8	24 QFN	98ARE10714D	98ASA00474D
MC9RS08KB12	24 QFN	98ASA00087D	98ASA00602D
MC9S08QG8	16 QFN	98ARE10614D	98ASA00671D
MC9RS08KB12	8 DFN	98ARL10557D	98ASA00672D
MC9S08QG8			
MC9RS08KA2	6 DFN	98ARL10602D	98ASA00735D

## MC9S08QE128 Series

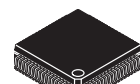
Covers: MC9S08QE128, MC9S08QE96, MC9S08QE64

- 8-Bit HCS08 Central Processor Unit (CPU)
  - Up to 50.33-MHz HCS08 CPU above 2.4V, 40-MHz CPU above 2.1V, and 20-MHz CPU above 1.8V, across temperature range
  - HC08 instruction set with added BGND instruction
  - Support for up to 32 interrupt/reset sources
- On-Chip Memory
  - Flash read/program/erase over full operating voltage and temperature
  - Random-access memory (RAM)
  - Security circuitry to prevent unauthorized access to RAM and flash contents
- Power-Saving Modes
  - Two low power stop modes; reduced power wait mode
  - Peripheral clock enable register can disable clocks to unused modules, reducing currents; allows clocks to remain enabled to specific peripherals in stop3 mode
  - Very low power external oscillator can be used in stop3 mode to provide accurate clock to active peripherals
  - Very low power real time counter for use in run, wait, and stop modes with internal and external clock sources
  - 6  $\mu$ s typical wake up time from stop modes
- Clock Source Options
  - Oscillator (XOSC) — Loop-control Pierce oscillator; Crystal or ceramic resonator range of 31.25 kHz to 38.4 kHz or 1 MHz to 16 MHz
  - Internal Clock Source (ICS) — FLL controlled by internal or external reference; precision trimming of internal reference allows 0.2% resolution and 2% deviation; supports CPU freq. from 2 to 50.33 MHz
- System Protection
  - Watchdog computer operating properly (COP) reset with option to run from dedicated 1-kHz internal clock source or bus clock
  - Low-voltage detection with reset or interrupt; selectable trip points
  - Illegal opcode detection with reset
  - Flash block protection
- Development Support
  - Single-wire background debug interface
  - Breakpoint capability to allow single breakpoint setting during in-circuit debugging (plus two more breakpoints)
  - On-chip in-circuit emulator (ICE) debug module containing two comparators and nine trigger modes.

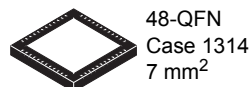
## MC9S08QE128



80-LQFP  
Case 917A  
14 mm<sup>2</sup>



64-LQFP  
Case 840F  
10 mm<sup>2</sup>



48-QFN  
Case 1314  
7 mm<sup>2</sup>



44-LQFP  
Case 824D  
10 mm<sup>2</sup>



32-LQFP  
Case 873A  
7 mm<sup>2</sup>

Eight deep FIFO for storing change-of-flow addresses and event-only data. Debug module supports both tag and force breakpoints.

- ADC — 24-channel, 12-bit resolution; 2.5  $\mu$ s conversion time; automatic compare function; 1.7 mV/ $^{\circ}$ C temperature sensor; internal bandgap reference channel; operation in stop3; fully functional from 3.6V to 1.8V
- ACMPx — Two analog comparators with selectable interrupt on rising, falling, or either edge of comparator output; compare option to fixed internal bandgap reference voltage; outputs can be optionally routed to TPM module; operation in stop3
- SCIx — Two SCIs with full duplex non-return to zero (NRZ); LIN master extended break generation; LIN slave extended break detection; wake up on active edge
- SPIx — Two serial peripheral interfaces with Full-duplex or single-wire bidirectional; Double-buffered transmit and receive; MSB-first or LSB-first shifting
- IICx — Two IICs with; Up to 100 kbps with maximum bus loading; Multi-master operation; Programmable slave address; Interrupt driven byte-by-byte data transfer; supports broadcast mode and 10 bit addressing
- TPMx — One 6-channel and two 3-channel; Selectable input capture, output compare, or buffered edge- or center-aligned PWMs on each channel
- RTC — 8-bit modulus counter with binary or decimal based prescaler; External clock source for precise time base, time-of-day, calendar or task scheduling functions; Free running on-chip low power oscillator (1 kHz) for cyclic wake-up without external components
- Input/Output
  - 70 GPIOs and 1 input-only and 1 output-only pin
  - 16 KBI interrupts with selectable polarity
  - Hysteresis and configurable pull-up device on all input pins; Configurable slew rate and drive strength on all output pins.
  - SET/CLR registers on 16 pins (PTC and PTE)

Freescale reserves the right to change the detail specifications as may be required to permit improvements in the design of its products.

# Table of Contents

1	MC9S08QE128 Series Comparison	4	3.10.1 Control Timing	24
2	Pin Assignments	5	3.10.2 TPM Module Timing	26
3	Electrical Characteristics	12	3.10.3 SPI Timing	27
3.1	Introduction	12	3.11 Analog Comparator (ACMP) Electricals	30
3.2	Parameter Classification	12	3.12 ADC Characteristics	30
3.3	Absolute Maximum Ratings	12	3.13 Flash Specifications	33
3.4	Thermal Characteristics	13	4 Ordering Information	34
3.5	ESD Protection and Latch-Up Immunity	14	4.1 Device Numbering System	34
3.6	DC Characteristics	15	5 Package Information	34
3.7	Supply Current Characteristics	18	5.1 Mechanical Drawings	35
3.8	External Oscillator (XOSC) Characteristics	21	6 Product Documentation	49
3.9	Internal Clock Source (ICS) Characteristics	22	7 Revision History	49
3.10	AC Characteristics	24		

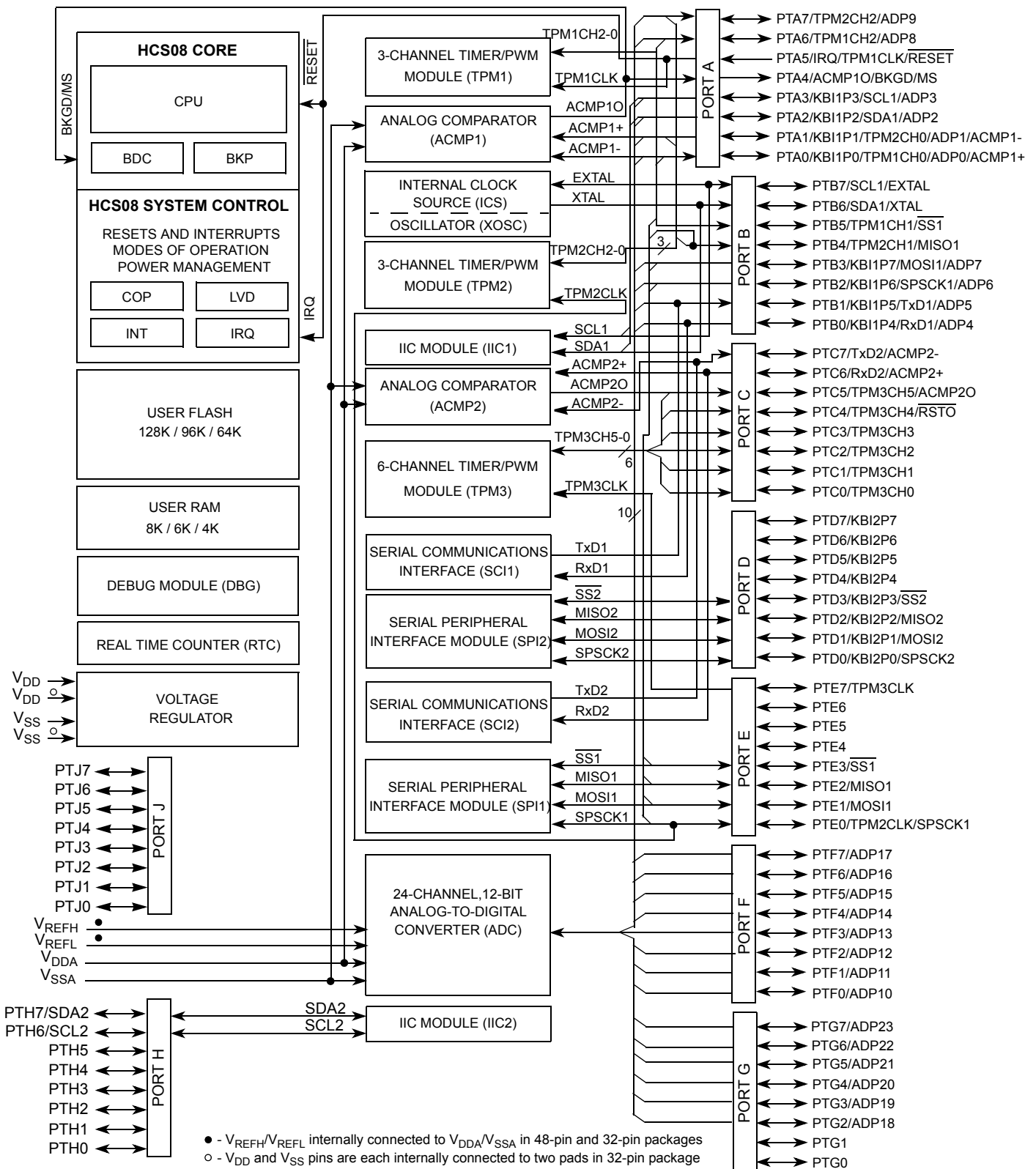


Figure 1. MC9S08QE128 Series Block Diagram

# 1 MC9S08QE128 Series Comparison

The following table compares the various device derivatives available within the MC9S08QE128 series.

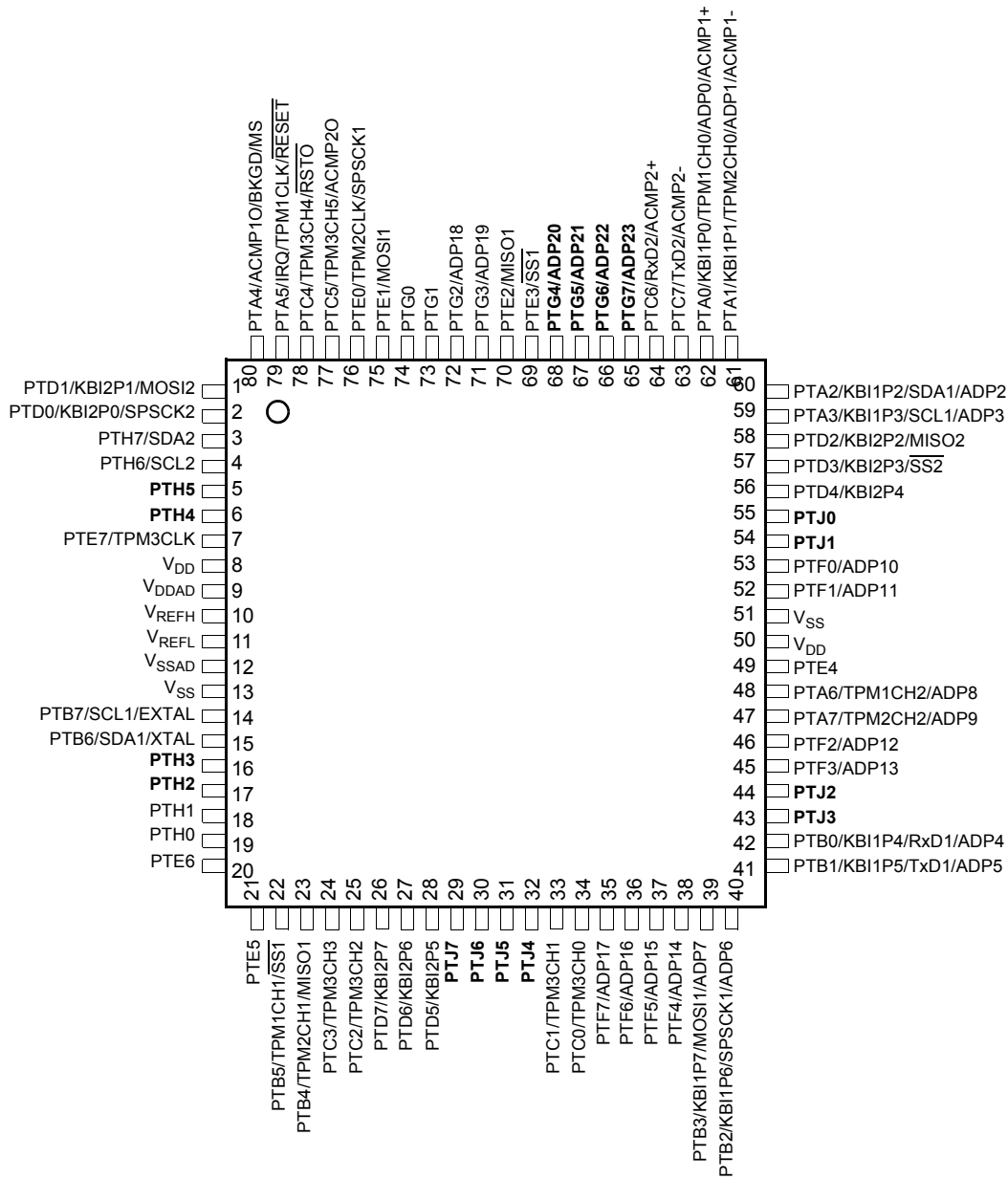
**Table 1. MC9S08QE128 Series Features by MCU and Package**

Feature	MC9S08QE128				MC9S08QE96				MC9S08QE64			
Flash size (bytes)	131072				98304				65536			
RAM size (bytes)	8064				6016				4096			
Pin quantity	80	64	48	44	80	64	48	44	64	48	44	32
ACMP1	yes											
ACMP2	yes											
ADC channels	24	22	10	10	24	22	10	10	22	10	10	10
DBG	yes											
ICS	yes											
IIC1	yes											
IIC2	yes	yes	no	no	yes	yes	no	no	yes	no	no	no
IRQ	yes											
KBI	16	16	16	16	16	16	16	16	16	16	16	12
Port I/O <sup>1</sup>	70	54	38	34	70	54	38	34	54	38	34	26
RTC	yes											
SCI1	yes											
SCI2	yes											
SPI1	yes											
SPI2	yes											
TPM1 channels	3											
TPM2 channels	3											
TPM3 channels	6											
XOSC	yes											

<sup>1</sup> Port I/O count does not include the input only PTA5/IRQ/TPM1CLK/RESET or the output only PTA4/ACMP10/BKGD/MS.

## 2 Pin Assignments

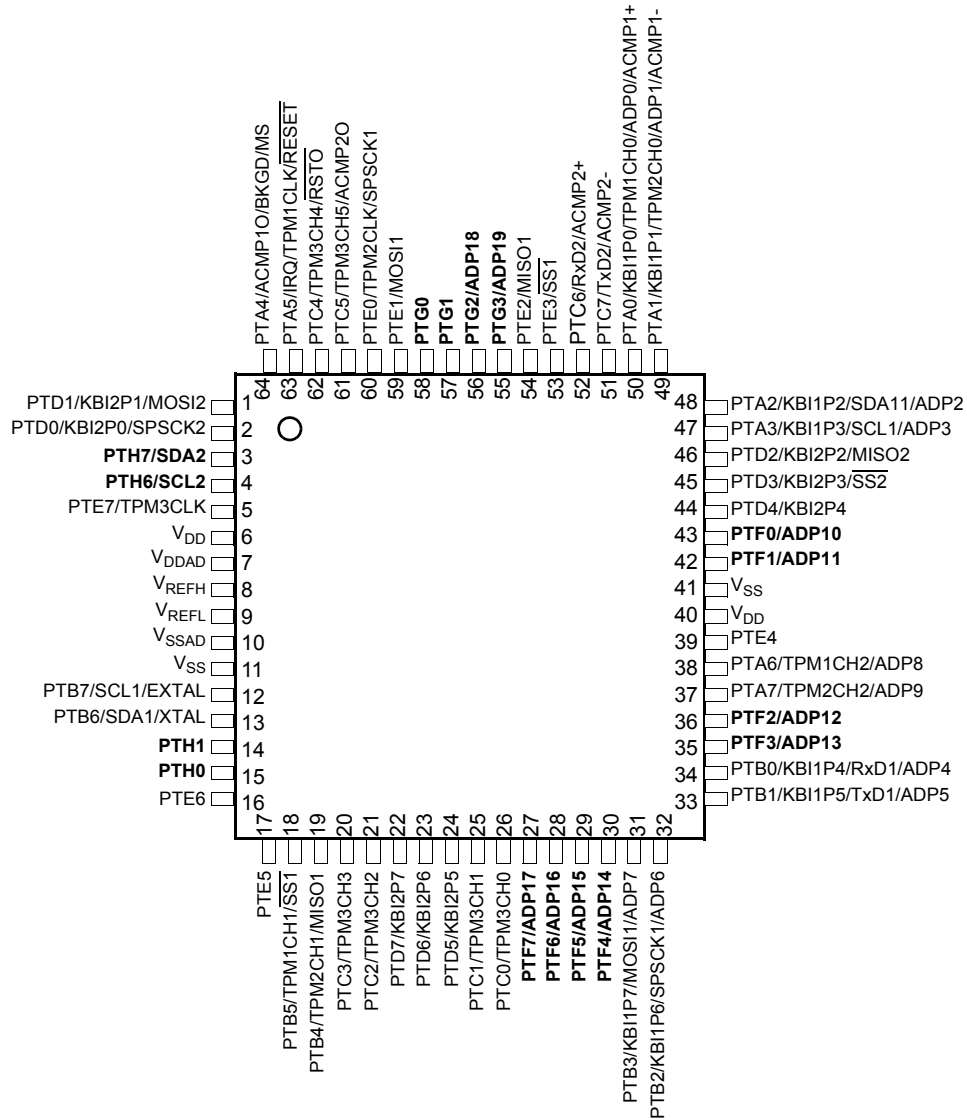
This section describes the pin assignments for the available packages. See [Table 2](#) for pin availability by package pin-count.



Pins in **bold** are added from the next smaller package.

**Figure 2. Pin Assignments in 80-Pin LQFP**

# Pin Assignments



Pins in **bold** are added from the next smaller package.

**Figure 3. Pin Assignments in 64-Pin LQFP Package**



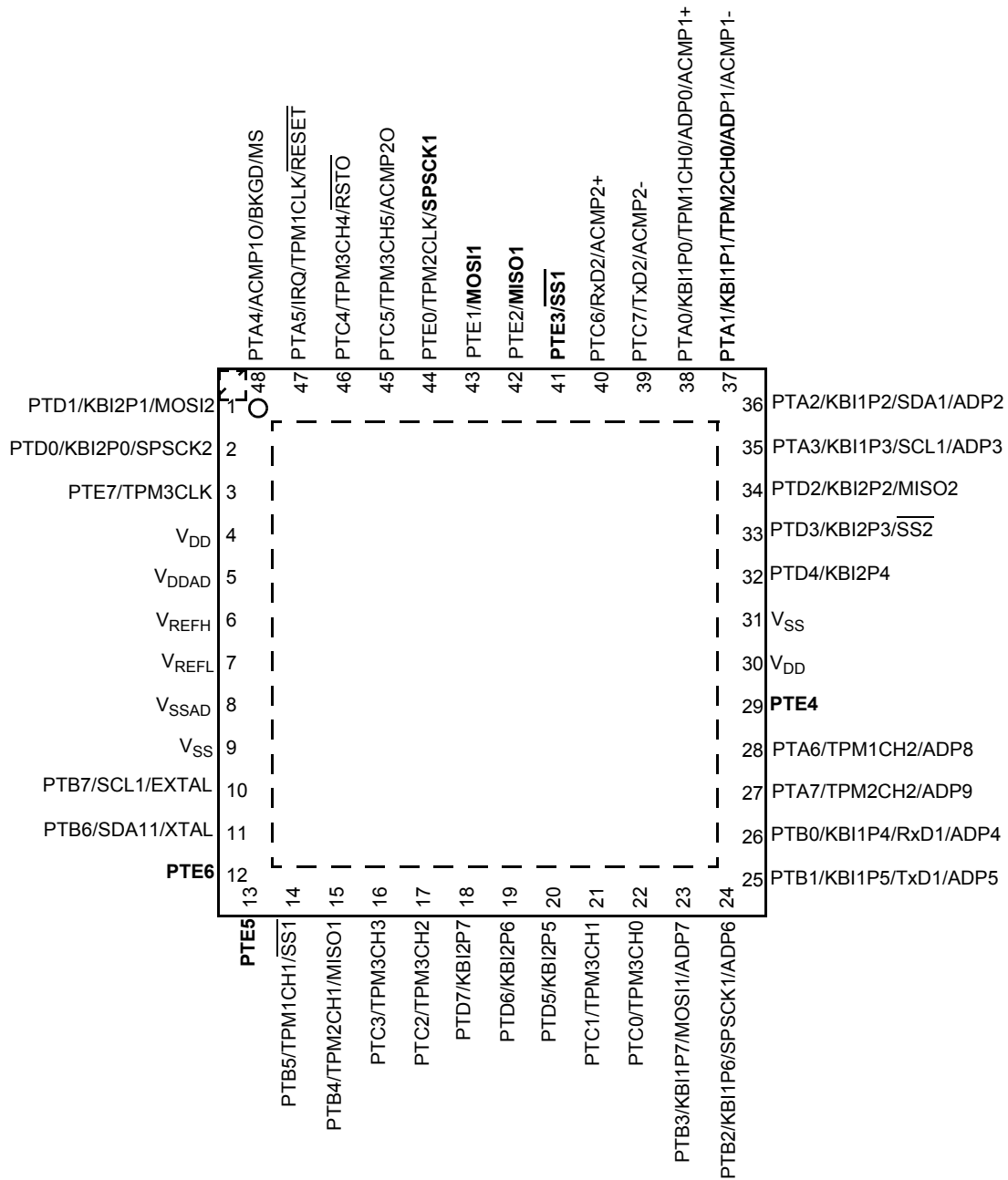


Figure 4. Pin Assignments in 48-Pin QFN Package

## Pin Assignments

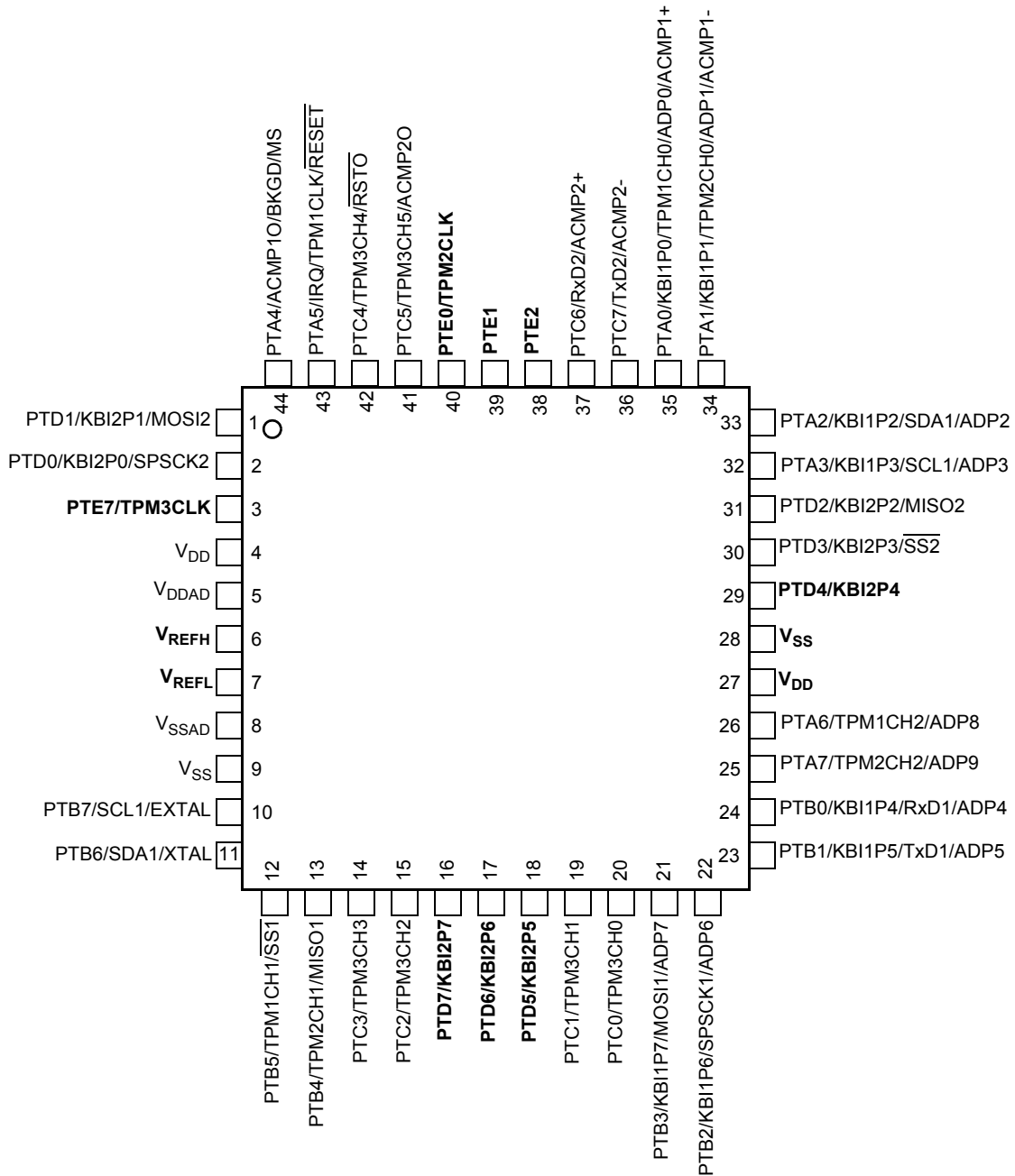


Figure 5. Pin Assignments in 44-Pin LQFP Package

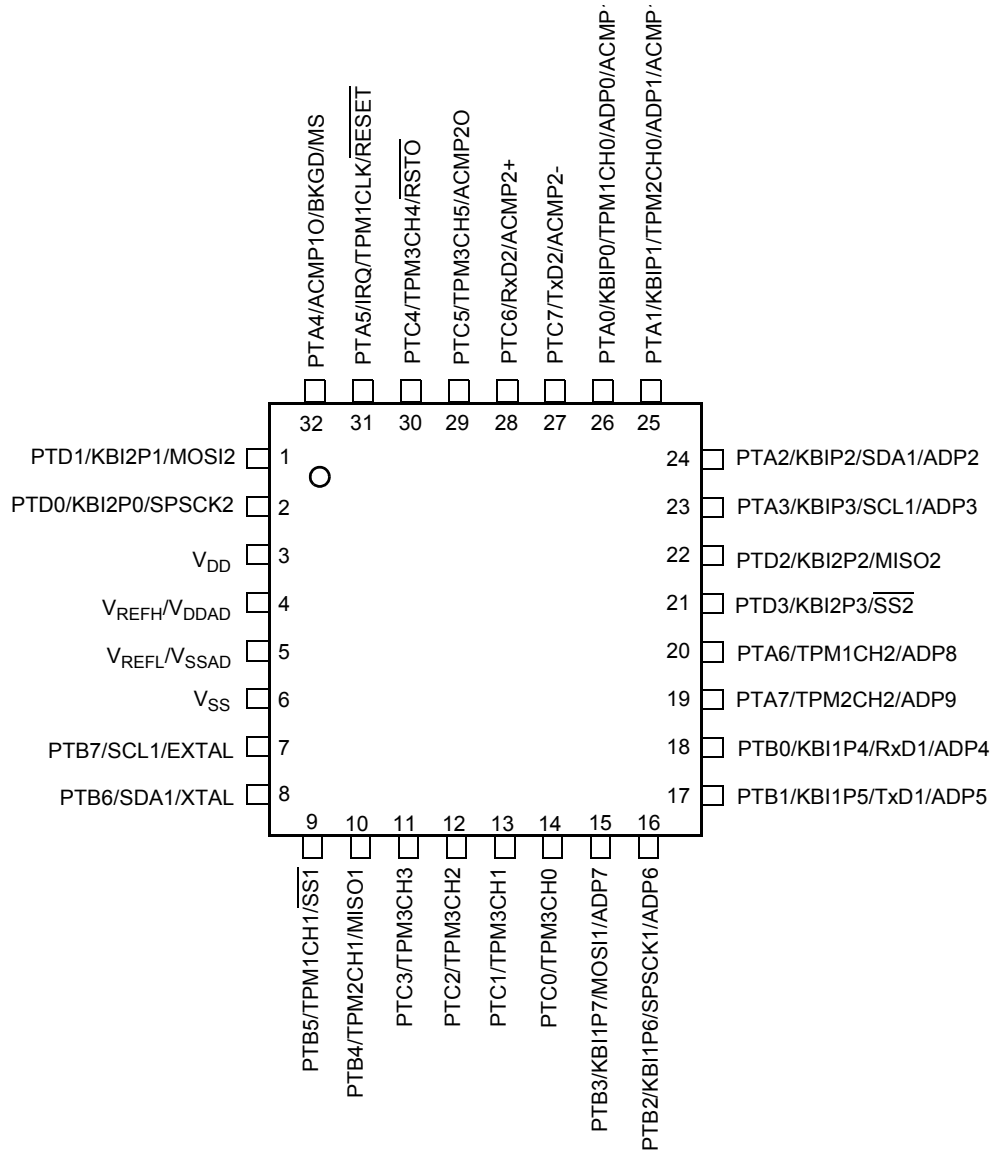


Figure 6. Pin Assignments 32-Pin LQFP Package

Table 2. MC9S08QE128 Series Pin Assignment by Package and Pin Count

Pin Number					Lowest	←	Priority	→	Highest
80	64	48	44	32	Port Pin	Alt 1	Alt 2	Alt 3	Alt 4
1	1	1	1	1	PTD1	KBI2P1	MOSI2		
2	2	2	2	2	PTD0	KBI2P0	SPSCK2		
3	3	—	—	—	PTH7	SDA2			
4	4	—	—	—	PTH6	SCL2			
5	—	—	—	—	PTH5				
6	—	—	—	—	PTH4				
7	5	3	3	—	PTE7	TPM3CLK			
8	6	4	4	3					V <sub>DD</sub>
9	7	5	5	4					V <sub>DDA</sub>
10	8	6	6	—					V <sub>REFH</sub>
11	9	7	7	—					V <sub>REFL</sub>
12	10	8	8	5					V <sub>SSA</sub>
13	11	9	9	6					V <sub>SS</sub>
14	12	10	10	7	PTB7	SCL1			EXTAL
15	13	11	11	8	PTB6	SDA1			XTAL
16	—	—	—	—	PTH3				
17	—	—	—	—	PTH2				
18	14	—	—	—	PTH1				
19	15	—	—	—	PTH0				
20	16	12	—	—	PTE6				
21	17	13	—	—	PTE5				
22	18	14	12	9	PTB5	TPM1CH1	SS1		
23	19	15	13	10	PTB4	TPM2CH1	MISO1		
24	20	16	14	11	PTC3	TPM3CH3			
25	21	17	15	12	PTC2	TPM3CH2			
26	22	18	16	—	PTD7	KBI2P7			
27	23	19	17	—	PTD6	KBI2P6			
28	24	20	18	—	PTD5	KBI2P5			
29	—	—	—	—	PTJ7				
30	—	—	—	—	PTJ6				
31	—	—	—	—	PTJ5				
32	—	—	—	—	PTJ4				
33	25	21	19	13	PTC1	TPM3CH1			
34	26	22	20	14	PTC0	TPM3CH0			
35	27	—	—	—	PTF7				ADP17
36	28	—	—	—	PTF6				ADP16
37	29	—	—	—	PTF5				ADP15
38	30	—	—	—	PTF4				ADP14
39	31	23	21	15	PTB3	KBI1P7	MOSI1		ADP7
40	32	24	22	16	PTB2	KBI1P6	SPSCK1		ADP6

Table 2. MC9S08QE128 Series Pin Assignment by Package and Pin Count (continued)

Pin Number					Lowest	←	Priority	→	Highest
80	64	48	44	32	Port Pin	Alt 1	Alt 2	Alt 3	Alt 4
41	33	25	23	17	PTB1	KBI1P5	TxD1		ADP5
42	34	26	24	18	PTB0	KBI1P4	RxD1		ADP4
43	—	—	—	—	PTJ3				
44	—	—	—	—	PTJ2				
45	35	—	—	—	PTF3				ADP13
46	36	—	—	—	PTF2				ADP12
47	37	27	25	19	PTA7	TPM2CH2			ADP9
48	38	28	26	20	PTA6	TPM1CH2			ADP8
49	39	29	—	—	PTE4				
50	40	30	27	—					V <sub>DD</sub>
51	41	31	28	—					V <sub>SS</sub>
52	42	—	—	—	PTF1				ADP11
53	43	—	—	—	PTF0				ADP10
54	—	—	—	—	PTJ1				
55	—	—	—	—	PTJ0				
56	44	32	29	—	PTD4	KBI2P4			
57	45	33	30	21	PTD3	KBI2P3	SS2		
58	46	34	31	22	PTD2	KBI2P2	MISO2		
59	47	35	32	23	PTA3	KBI1P3	SCL1		ADP3
60	48	36	33	24	PTA2	KBI1P2	SDA1		ADP2
61	49	37	34	25	PTA1	KBI1P1	TPM2CH0	ADP1	ACMP1-
62	50	38	35	26	PTA0	KBI1P0	TPM1CH0	ADP0	ACMP1+
63	51	39	36	27	PTC7	TxD2			ACMP2-
64	52	40	37	28	PTC6	RxD2			ACMP2+
65	—	—	—	—	PTG7				ADP23
66	—	—	—	—	PTG6				ADP22
67	—	—	—	—	PTG5				ADP21
68	—	—	—	—	PTG4				ADP20
69	53	41	—	—	PTE3	SS1			
70	54	42	38	—	PTE2	MISO1			
71	55	—	—	—	PTG3				ADP19
72	56	—	—	—	PTG2				ADP18
73	57	—	—	—	PTG1				
74	58	—	—	—	PTG0				
75	59	43	39	—	PTE1	MOSI1			
76	60	44	40	—	PTE0	TPM2CLK	SPSCK1		
77	61	45	41	29	PTC5	TPM3CH5			ACMP20
78	62	46	42	30	PTC4	TPM3CH4	RSTO		
79	63	47	43	31	PTA5	IRQ	TPM1CLK	RESET	
80	64	48	44	32	PTA4	ACMP1O	BKGD	MS	

## 3 Electrical Characteristics

### 3.1 Introduction

This section contains electrical and timing specifications for the MC9S08QE128 series of microcontrollers available at the time of publication.

### 3.2 Parameter Classification

The electrical parameters shown in this supplement are guaranteed by various methods. To give the customer a better understanding the following classification is used and the parameters are tagged accordingly in the tables where appropriate:

**Table 3. Parameter Classifications**

<b>P</b>	Those parameters are guaranteed during production testing on each individual device.
<b>C</b>	Those parameters are achieved by the design characterization by measuring a statistically relevant sample size across process variations.
<b>T</b>	Those parameters are achieved by design characterization on a small sample size from typical devices under typical conditions unless otherwise noted. All values shown in the typical column are within this category.
<b>D</b>	Those parameters are derived mainly from simulations.

#### NOTE

The classification is shown in the column labeled “C” in the parameter tables where appropriate.

### 3.3 Absolute Maximum Ratings

Absolute maximum ratings are stress ratings only, and functional operation at the maxima is not guaranteed. Stress beyond the limits specified in Table 4 may affect device reliability or cause permanent damage to the device. For functional operating conditions, refer to the remaining tables in this section.

This device contains circuitry protecting against damage due to high static voltage or electrical fields; however, it is advised that normal precautions be taken to avoid application of any voltages higher than maximum-rated voltages to this high-impedance circuit. Reliability of operation is enhanced if unused inputs are tied to an appropriate logic voltage level (for instance, either  $V_{SS}$  or  $V_{DD}$ ) or the programmable pull-up resistor associated with the pin is enabled.

**Table 4. Absolute Maximum Ratings**

Rating	Symbol	Value	Unit
Supply voltage	$V_{DD}$	-0.3 to +3.8	V
Maximum current into $V_{DD}$	$I_{DD}$	120	mA
Digital input voltage	$V_{In}$	-0.3 to $V_{DD} + 0.3$	V
Instantaneous maximum current Single pin limit (applies to all port pins) <sup>1, 2, 3</sup>	$I_D$	± 25	mA
Storage temperature range	$T_{stg}$	-55 to 150	°C

<sup>1</sup> Input must be current limited to the value specified. To determine the value of the required current-limiting resistor, calculate resistance values for positive ( $V_{DD}$ ) and negative ( $V_{SS}$ ) clamp voltages, then use the larger of the two resistance values.

<sup>2</sup> All functional non-supply pins are internally clamped to  $V_{SS}$  and  $V_{DD}$ .

- <sup>3</sup> Power supply must maintain regulation within operating  $V_{DD}$  range during instantaneous and operating maximum current conditions. If positive injection current ( $V_{In} > V_{DD}$ ) is greater than  $I_{DD}$ , the injection current may flow out of  $V_{DD}$  and could result in external power supply going out of regulation. Ensure external  $V_{DD}$  load will shunt current greater than maximum injection current. This will be the greatest risk when the MCU is not consuming power. Examples are: if no system clock is present, or if the clock rate is very low (which would reduce overall power consumption).

### 3.4 Thermal Characteristics

This section provides information about operating temperature range, power dissipation, and package thermal resistance. Power dissipation on I/O pins is usually small compared to the power dissipation in on-chip logic and voltage regulator circuits, and it is user-determined rather than being controlled by the MCU design. To take  $P_{I/O}$  into account in power calculations, determine the difference between actual pin voltage and  $V_{SS}$  or  $V_{DD}$  and multiply by the pin current for each I/O pin. Except in cases of unusually high pin current (heavy loads), the difference between pin voltage and  $V_{SS}$  or  $V_{DD}$  will be very small.

**Table 5. Thermal Characteristics**

Rating	Symbol	Value	Unit
Operating temperature range (packaged)	$T_A$	-40 to 85	°C
Maximum junction temperature	$T_{JM}$	95	°C
Thermal resistance Single-layer board			
32-pin LQFP	$\theta_{JA}$	82	°C/W
44-pin LQFP		68	
48-pin QFN		81	
64-pin LQFP	$\theta_{JA}$	69	°C/W
80-pin LQFP		60	
Thermal resistance Four-layer board			
32-pin LQFP	$\theta_{JA}$	54	°C/W
44-pin LQFP		46	
48-pin QFN		26	
64-pin LQFP	$\theta_{JA}$	50	°C/W
80-pin LQFP		47	

The average chip-junction temperature ( $T_J$ ) in °C can be obtained from:

$$T_J = T_A + (P_D \times \theta_{JA}) \quad \text{Eqn. 1}$$

where:

$T_A$  = Ambient temperature, °C

$\theta_{JA}$  = Package thermal resistance, junction-to-ambient, °C/W

$P_D = P_{int} + P_{I/O}$

$P_{int} = I_{DD} \times V_{DD}$ , Watts — chip internal power

$P_{I/O}$  = Power dissipation on input and output pins — user determined

## Electrical Characteristics

For most applications,  $P_{I/O} \ll P_{int}$  and can be neglected. An approximate relationship between  $P_D$  and  $T_J$  (if  $P_{I/O}$  is neglected) is:

$$P_D = K \div (T_J + 273^\circ\text{C}) \quad \text{Eqn. 2}$$

Solving Equation 1 and Equation 2 for K gives:

$$K = P_D \times (T_A + 273^\circ\text{C}) + \theta_{JA} \times (P_D)^2 \quad \text{Eqn. 3}$$

where K is a constant pertaining to the particular part. K can be determined from equation 3 by measuring  $P_D$  (at equilibrium) for a known  $T_A$ . Using this value of K, the values of  $P_D$  and  $T_J$  can be obtained by solving Equation 1 and Equation 2 iteratively for any value of  $T_A$ .

## 3.5 ESD Protection and Latch-Up Immunity

Although damage from electrostatic discharge (ESD) is much less common on these devices than on early CMOS circuits, normal handling precautions should be used to avoid exposure to static discharge. Qualification tests are performed to ensure that these devices can withstand exposure to reasonable levels of static without suffering any permanent damage.

All ESD testing is in conformity with AEC-Q100 Stress Test Qualification for Automotive Grade Integrated Circuits. During the device qualification ESD stresses were performed for the human body model (HBM), the machine model (MM) and the charge device model (CDM).

A device is defined as a failure if after exposure to ESD pulses the device no longer meets the device specification. Complete DC parametric and functional testing is performed per the applicable device specification at room temperature followed by hot temperature, unless specified otherwise in the device specification.

**Table 6. ESD and Latch-up Test Conditions**

Model	Description	Symbol	Value	Unit
Human Body	Series resistance	R1	1500	$\Omega$
	Storage capacitance	C	100	pF
	Number of pulses per pin	—	3	
Machine	Series resistance	R1	0	$\Omega$
	Storage capacitance	C	200	pF
	Number of pulses per pin	—	3	
Latch-up	Minimum input voltage limit		-2.5	V
	Maximum input voltage limit		7.5	V

**Table 7. ESD and Latch-Up Protection Characteristics**

No.	Rating <sup>1</sup>	Symbol	Min	Max	Unit
1	Human body model (HBM)	$V_{HBM}$	$\pm 2000$	—	V
2	Machine model (MM)	$V_{MM}$	$\pm 200$	—	V
3	Charge device model (CDM)	$V_{CDM}$	$\pm 500$	—	V
4	Latch-up current at $T_A = 85^\circ\text{C}$	$I_{LAT}$	$\pm 100$	—	mA

<sup>1</sup> Parameter is achieved by design characterization on a small sample size from typical devices under typical conditions unless otherwise noted.



### 3.6 DC Characteristics

This section includes information about power supply requirements and I/O pin characteristics.

**Table 8. DC Characteristics**

Num	C	Characteristic	Symbol	Condition	Min	Typ <sup>1</sup>	Max	Unit
1		Operating Voltage			1.8 <sup>2</sup>		3.6	V
2	C	Output high voltage All I/O pins, low-drive strength	V <sub>OH</sub>	1.8 V, I <sub>Load</sub> = -2 mA	V <sub>DD</sub> - 0.5	—	—	V
	P			2.7 V, I <sub>Load</sub> = -10 mA	V <sub>DD</sub> - 0.5	—	—	
	T	2.3 V, I <sub>Load</sub> = -6 mA		V <sub>DD</sub> - 0.5	—	—		
	C	1.8 V, I <sub>Load</sub> = -3 mA		V <sub>DD</sub> - 0.5	—	—		
3	D	Output high current Max total I <sub>OH</sub> for all ports	I <sub>OHT</sub>		—	—	100	mA
4	C	Output low voltage All I/O pins, low-drive strength	V <sub>OL</sub>	1.8 V, I <sub>Load</sub> = 2 mA	—	—	0.5	V
	P			2.7 V, I <sub>Load</sub> = 10 mA	—	—	0.5	
	T	2.3 V, I <sub>Load</sub> = 6 mA		—	—	0.5		
	C	1.8 V, I <sub>Load</sub> = 3 mA		—	—	0.5		
5	D	Output low current Max total I <sub>OL</sub> for all ports	I <sub>OLT</sub>		—	—	100	mA
6	P	Input high voltage all digital inputs	V <sub>IH</sub>	V <sub>DD</sub> > 2.7 V	0.70 x V <sub>DD</sub>	—	—	V
	C			V <sub>DD</sub> > 1.8 V	0.85 x V <sub>DD</sub>	—	—	
7	P	Input low voltage all digital inputs	V <sub>IL</sub>	V <sub>DD</sub> > 2.7 V	—	—	0.35 x V <sub>DD</sub>	V
	C			V <sub>DD</sub> > 1.8 V	—	—	0.30 x V <sub>DD</sub>	
8	C	Input hysteresis all digital inputs	V <sub>hys</sub>		0.06 x V <sub>DD</sub>	—	—	mV
9	P	Input leakage current all input only pins (Per pin)	I <sub>In </sub>	V <sub>In</sub> = V <sub>DD</sub> or V <sub>SS</sub>	—	—	1	μA
10	P	Hi-Z (off-state) leakage current all input/output (per pin)	I <sub>oZ </sub>	V <sub>In</sub> = V <sub>DD</sub> or V <sub>SS</sub>	—	—	1	μA
11	P	Pull-up resistors all digital inputs, when enabled	R <sub>PU</sub>		17.5	—	52.5	kΩ
12	D	DC injection current <sup>3, 4, 5</sup> Single pin limit Total MCU limit, includes sum of all stressed pins	I <sub>IC</sub>	V <sub>IN</sub> < V <sub>SS</sub> , V <sub>IN</sub> > V <sub>DD</sub>	-0.2	—	0.2	mA
					-5	—	5	mA
13	C	Input Capacitance, all pins	C <sub>In</sub>		—	—	8	pF
14	C	RAM retention voltage	V <sub>RAM</sub>		—	0.6	1.0	V
15	C	POR re-arm voltage <sup>6</sup>	V <sub>POR</sub>		0.9	1.4	1.79	V
16	D	POR re-arm time	t <sub>POR</sub>		10	—	—	μs
17	P	Low-voltage detection threshold — high range <sup>7</sup>	V <sub>LVDH</sub> <sup>8</sup>	V <sub>DD</sub> falling V <sub>DD</sub> rising	2.11 2.16	2.16 2.21	2.22 2.27	V

Table 8. DC Characteristics (continued)

Num	C	Characteristic	Symbol	Condition	Min	Typ <sup>1</sup>	Max	Unit
18	P	Low-voltage detection threshold — low range <sup>7</sup>	$V_{LVDL}$	$V_{DD}$ falling $V_{DD}$ rising	1.80 1.86	1.82 1.90	1.91 1.99	V
19	P	Low-voltage warning threshold — high range <sup>7</sup>	$V_{LVWH}$	$V_{DD}$ falling $V_{DD}$ rising	2.36 2.36	2.46 2.46	2.56 2.56	V
20	P	Low-voltage warning threshold — low range <sup>7</sup>	$V_{LVWL}$	$V_{DD}$ falling $V_{DD}$ rising	2.11 2.16	2.16 2.21	2.22 2.27	V
21	C	Low-voltage inhibit reset/recover hysteresis <sup>7</sup>	$V_{hys}$		—	50	—	mV
22	P	Bandgap Voltage Reference <sup>9</sup>	$V_{BG}$		1.15	1.17	1.18	V

- <sup>1</sup> Typical values are measured at 25°C. Characterized, not tested
- <sup>2</sup> As the supply voltage rises, the LVD circuit will hold the MCU in reset until the supply has risen above  $V_{LVDL}$ .
- <sup>3</sup> All functional non-supply pins are internally clamped to  $V_{SS}$  and  $V_{DD}$ .
- <sup>4</sup> Input must be current limited to the value specified. To determine the value of the required current-limiting resistor, calculate resistance values for positive and negative clamp voltages, then use the larger of the two values.
- <sup>5</sup> Power supply must maintain regulation within operating  $V_{DD}$  range during instantaneous and operating maximum current conditions. If positive injection current ( $V_{in} > V_{DD}$ ) is greater than  $I_{DD}$ , the injection current may flow out of  $V_{DD}$  and could result in external power supply going out of regulation. Ensure external  $V_{DD}$  load will shunt current greater than maximum injection current. This will be the greatest risk when the MCU is not consuming power. Examples are: if no system clock is present, or if clock rate is very low (which would reduce overall power consumption).
- <sup>6</sup> Maximum is highest voltage that POR is guaranteed.
- <sup>7</sup> Low voltage detection and warning limits measured at 1 MHz bus frequency.
- <sup>8</sup> Run at 1 MHz bus frequency
- <sup>9</sup> Factory trimmed at  $V_{DD} = 3.0$  V, Temp = 25°C

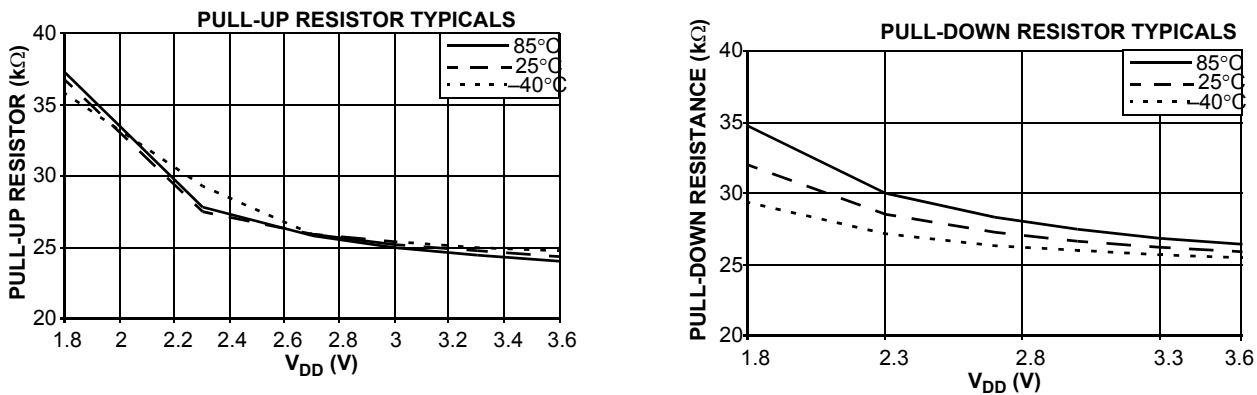


Figure 7. Pull-up and Pull-down Typical Resistor Values

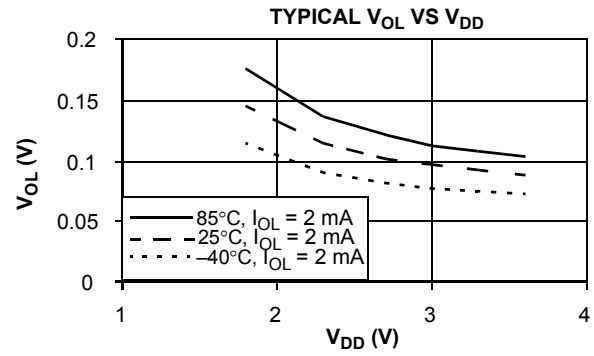
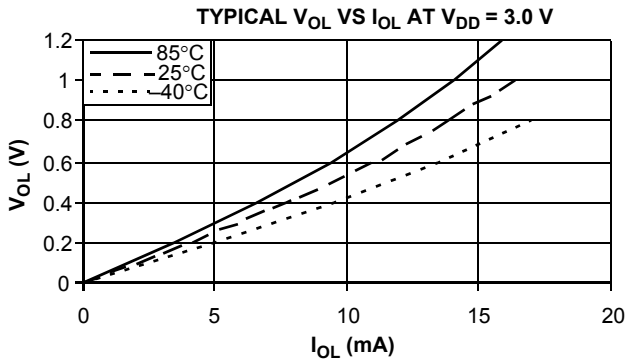


Figure 8. Typical Low-Side Driver (Sink) Characteristics — Low Drive (PTxDSn = 0)

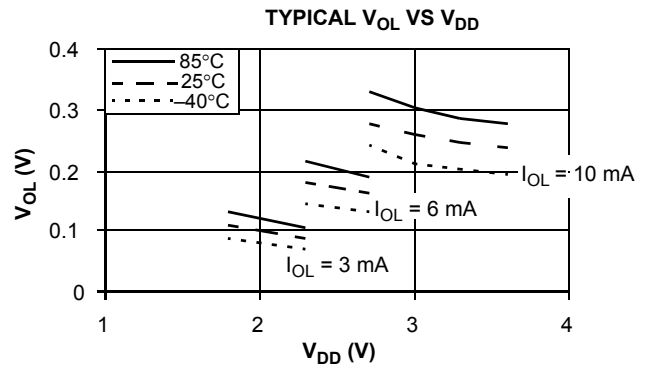
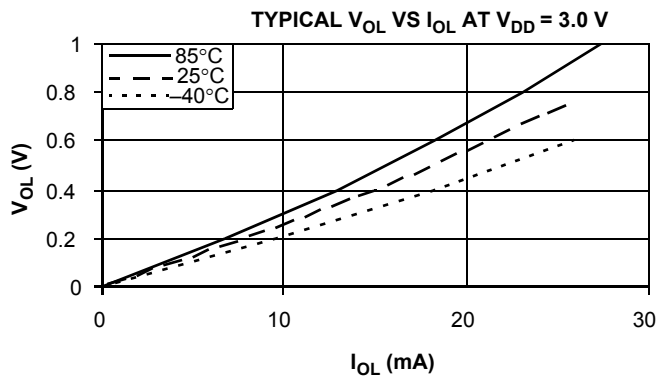


Figure 9. Typical Low-Side Driver (Sink) Characteristics — High Drive (PTxDSn = 1)

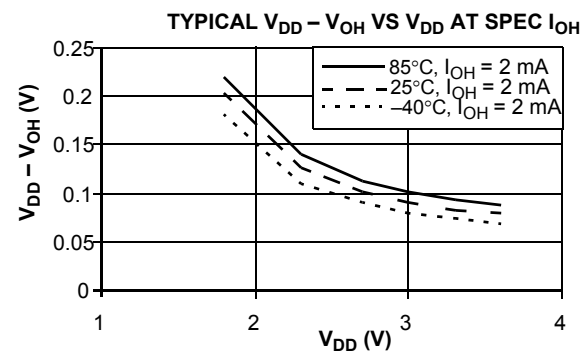
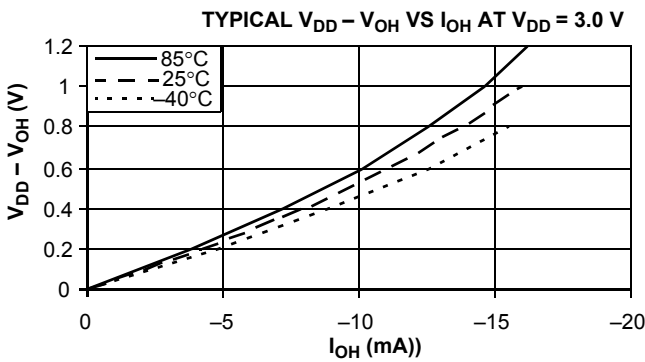


Figure 10. Typical High-Side (Source) Characteristics — Low Drive (PTxDSn = 0)

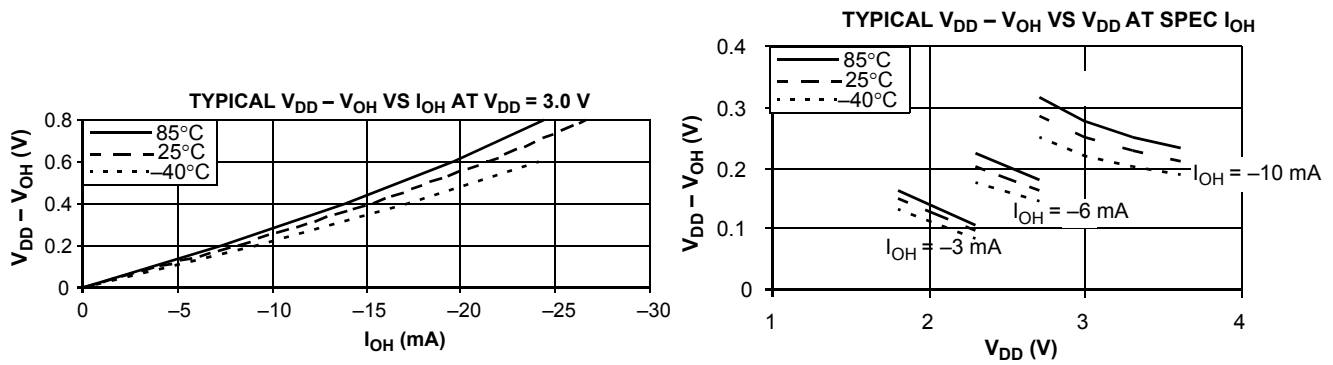


Figure 11. Typical High-Side (Source) Characteristics — High Drive (PTxDSn = 1)

### 3.7 Supply Current Characteristics

This section includes information about power supply current in various operating modes.

Table 9. Supply Current Characteristics

Num	C	Parameter	Symbol	Bus Freq	V <sub>DD</sub> (V)	Typ <sup>1</sup>	Max	Unit	Temp (°C)	
1	P	Run supply current FEI mode, all modules on	R <sub>IDD</sub>	25.165 MHz	3	16	18	mA	-40 to 25	
	P					16	20		85	
	T					20 MHz	14.4		—	-40 to 85
	T					8 MHz	6.5		—	
	T					1 MHz	1.4		—	
2	C	Run supply current FEI mode, all modules off	R <sub>IDD</sub>	25.165 MHz	3	11.5	12.3	mA	-40 to 85	
	T					20 MHz	9.5			—
	T					8 MHz	4.6			—
	T					1 MHz	1.0			—
3	T	Run supply current LPS=0, all modules off	R <sub>IDD</sub>	16 kHz FBILP	3	152	—	μA	-40 to 85	
	T			16 kHz FBELP		115	—			
4	T	Run supply current LPS=1, all modules off, running from Flash	R <sub>IDD</sub>	16 kHz FBELP	3	21.9	—	μA	0 to 70	
	T	Run supply current LPS=1, all modules off, running from RAM				7.3	—		-40 to 85	
5	C	Wait mode supply current FEI mode, all modules off	W <sub>IDD</sub>	25.165 MHz	3	5.74	6	mA	-40 to 85	
	T			20 MHz		4.57	—			
	T			8 MHz		2	—			
	T			1 MHz		0.73	—			

Table 9. Supply Current Characteristics (continued)

Num	C	Parameter	Symbol	Bus Freq	V <sub>DD</sub> (V)	Typ <sup>1</sup>	Max	Unit	Temp (°C)
6	P	Stop2 mode supply current	S2I <sub>DD</sub>	n/a	3	0.35	0.6	μA	-40 to 25
	C					0.98	2.0		70
	P					2.5	7.5		85
	C				2	0.25	0.5		-40 to 25
	C					1.4	1.9		70
	C					1.91	6.5		85
7	P	Stop3 mode supply current No clocks active	S3I <sub>DD</sub>	n/a	3	0.45	1.0	μA	-40 to 25
	C					1.99	4.2		70
	P					5.0	15.0		85
	C				2	0.35	0.7		-40 to 25
	C					2.9	3.9		70
	C					3.77	13.2		85

<sup>1</sup> Data in Typical column was characterized at 3.0 V, 25°C or is typical recommended value.

Table 10. Stop Mode Adders

Num	C	Parameter	Condition	Temperature (°C)				Units
				-40	25	70	85	
1	T	LPO		50	75	100	150	nA
2	T	ERREFSTEN	RANGE = HGO = 0	1000	1000	1100	1500	nA
3	T	IREFSTEN <sup>1</sup>		63	70	77	81	uA
4	T	RTC	does not include clock source current	50	75	100	150	nA
5	T	LVD <sup>1</sup>	LVDSE = 1	90	100	110	115	uA
6	T	ACMP <sup>1</sup>	not using the bandgap (BGBE = 0)	18	20	22	23	uA
7	T	ADC <sup>1</sup>	ADLPC = ADLSMP = 1 not using the bandgap (BGBE = 0)	95	106	114	120	uA

<sup>1</sup> Not available in stop2 mode.

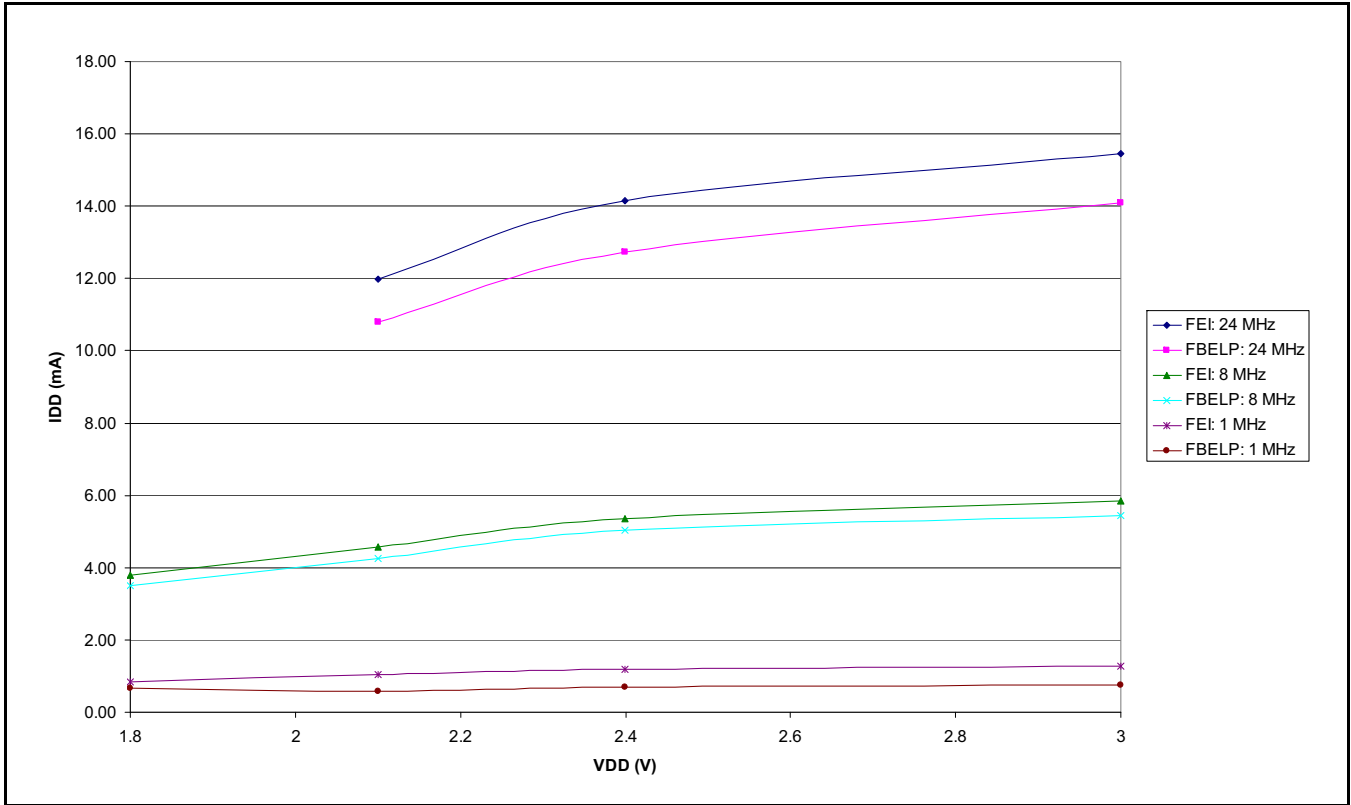


Figure 12. Typical Run  $I_{DD}$  for FBE and FEI,  $I_{DD}$  vs.  $V_{DD}$   
(ADC off, All Other Modules Enabled)

### 3.8 External Oscillator (XOSC) Characteristics

Reference Figure 13 and Figure 14 for crystal or resonator circuits.

**Table 11. XOSC and ICS Specifications (Temperature Range = -40 to 85°C Ambient)**

Num	C	Characteristic	Symbol	Min	Typ <sup>1</sup>	Max	Unit
1	C	Oscillator crystal or resonator (EREFS = 1, ERCLKEN = 1)					
		Low range (RANGE = 0)	$f_{lo}$	32	—	38.4	kHz
		High range (RANGE = 1), high gain (HGO = 1)	$f_{hi}$	1	—	16	MHz
		High range (RANGE = 1), low power (HGO = 0)	$f_{hi}$	1	—	8	MHz
2	D	Load capacitors Low range (RANGE=0), low power (HGO=0) Other oscillator settings	$C_1, C_2$	See Note <sup>2</sup> See Note <sup>3</sup>			
3	D	Feedback resistor					
		Low range, low power (RANGE=0, HGO=0) <sup>2</sup>	$R_F$	—	—	—	M $\Omega$
		Low range, High Gain (RANGE=0, HGO=1)		—	10	—	
High range (RANGE=1, HGO=X)	—	1		—			
4	D	Series resistor —					
		Low range, low power (RANGE = 0, HGO = 0) <sup>2</sup>	$R_S$	—	—	—	k $\Omega$
		Low range, high gain (RANGE = 0, HGO = 1)		—	0	—	
		High range, low power (RANGE = 1, HGO = 0)		—	100	—	
		High range, high gain (RANGE = 1, HGO = 1) ≥ 8 MHz		—	0	0	
4 MHz	—	0		10			
1 MHz	—	0	20				
5	C	Crystal start-up time <sup>4</sup>					
		Low range, low power	$t_{CSTL}$	—	200	—	ms
		Low range, high power		—	400	—	
		High range, low power	$t_{CSTH}$	—	5	—	
High range, high power		—	15	—			
6	D	Square wave input clock frequency (EREFS = 0, ERCLKEN = 1)					
		FEE or FBE mode	$f_{extal}$	0.03125	—	40.0	MHz
		FBELP mode		0	—	50.33	MHz

<sup>1</sup> Data in Typical column was characterized at 3.0 V, 25°C or is typical recommended value.

<sup>2</sup> Load capacitors ( $C_1, C_2$ ), feedback resistor ( $R_F$ ) and series resistor ( $R_S$ ) are incorporated internally when RANGE=HGO=0.

<sup>3</sup> See crystal or resonator manufacturer's recommendation.

<sup>4</sup> Proper PC board layout procedures must be followed to achieve specifications.

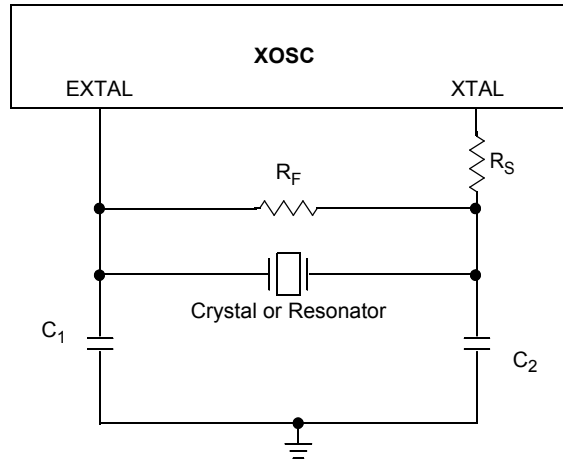


Figure 13. Typical Crystal or Resonator Circuit: High Range and Low Range/High Gain

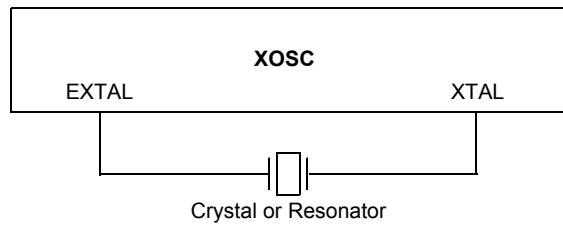


Figure 14. Typical Crystal or Resonator Circuit: Low Range/Low Gain

### 3.9 Internal Clock Source (ICS) Characteristics

Table 12. ICS Frequency Specifications (Temperature Range = -40 to 85°C Ambient)

Num	C	Characteristic	Symbol	Min	Typ <sup>1</sup>	Max	Unit	
1	P	Average internal reference frequency — factory trimmed at $V_{DD} = 3.6\text{ V}$ and temperature = 25°C	$f_{int\_ft}$	—	32.768	—	kHz	
2	P	Internal reference frequency — user trimmed	$f_{int\_ut}$	31.25	—	39.06	kHz	
3	T	Internal reference start-up time	$t_{IRST}$	—	60	100	μs	
4	P	DCO output frequency range — trimmed <sup>2</sup>	$f_{dco\_u}$	Low range (DRS=00)	16	—	20	MHz
	Mid range (DRS=01)			32	—	40		
	High range (DRS=10)			48	—	60		
5	P	DCO output frequency <sup>2</sup> Reference = 32768 Hz and DMX32 = 1	$f_{dco\_DMX32}$	Low range (DRS=00)	—	19.92	—	MHz
	Mid range (DRS=01)			—	39.85	—		
	High range (DRS=10)			—	59.77	—		
6	C	Resolution of trimmed DCO output frequency at fixed voltage and temperature (using FTRIM)	$\Delta f_{dco\_res\_t}$	—	± 0.1	± 0.2	% $f_{dco}$	
7	C	Resolution of trimmed DCO output frequency at fixed voltage and temperature (not using FTRIM)	$\Delta f_{dco\_res\_t}$	—	± 0.2	± 0.4	% $f_{dco}$	



Table 12. ICS Frequency Specifications (Temperature Range = -40 to 85°C Ambient) (continued)

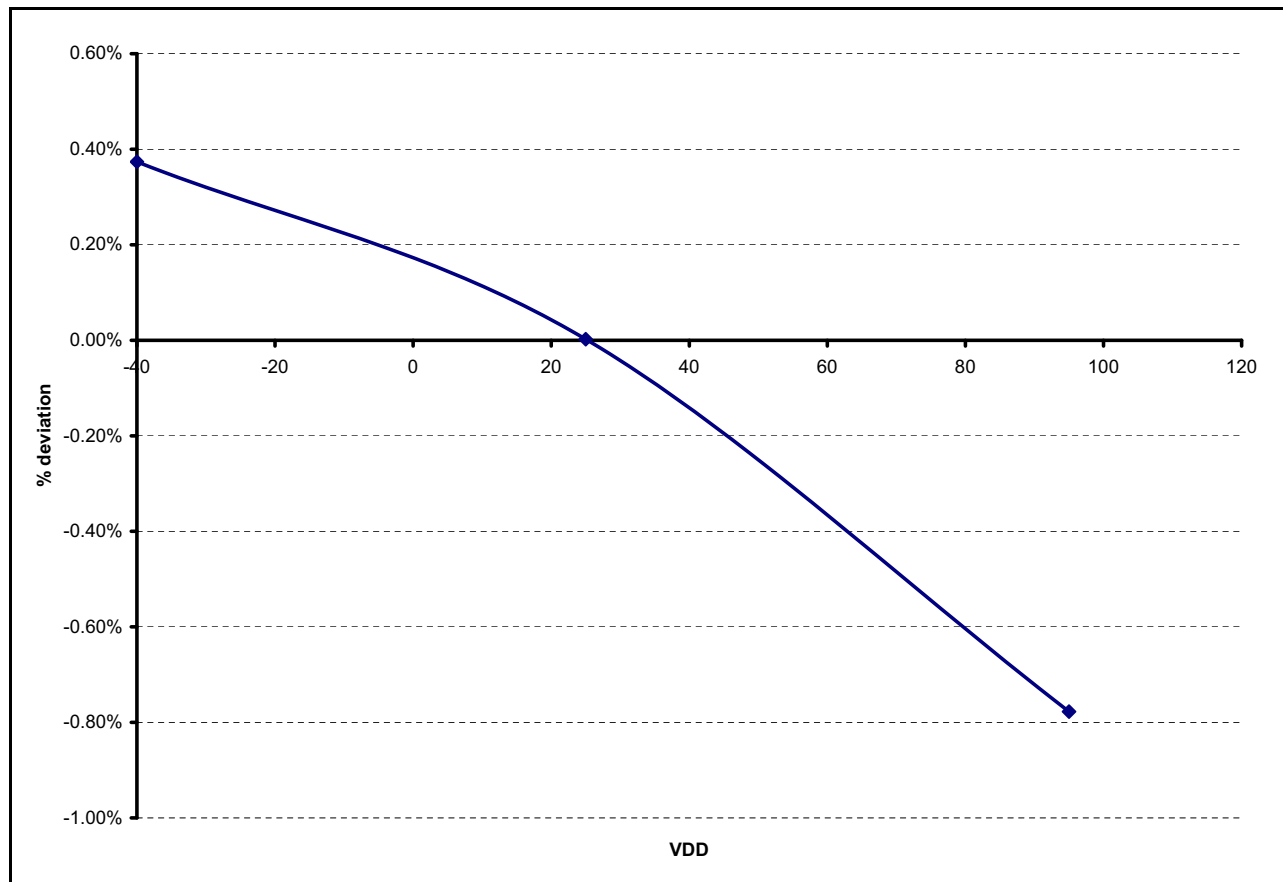
Num	C	Characteristic	Symbol	Min	Typ <sup>1</sup>	Max	Unit
8	C	Total deviation of trimmed DCO output frequency over voltage and temperature	$\Delta f_{dco\_t}$	—	+ 0.5 -1.0	± 2	% $f_{dco}$
9	C	Total deviation of trimmed DCO output frequency over fixed voltage and temperature range of 0°C to 70 °C	$\Delta f_{dco\_t}$	—	± 0.5	± 1	% $f_{dco}$
10	C	FLL acquisition time <sup>3</sup>	$t_{Acquire}$	—	—	1	ms
11	C	Long term jitter of DCO output clock (averaged over 2-ms interval) <sup>4</sup>	$C_{Jitter}$	—	0.02	0.2	% $f_{dco}$

<sup>1</sup> Data in Typical column was characterized at 3.0 V, 25°C or is typical recommended value.

<sup>2</sup> The resulting bus clock frequency should not exceed the maximum specified bus clock frequency of the device.

<sup>3</sup> This specification applies to any time the FLL reference source or reference divider is changed, trim value changed or changing from FLL disabled (FBELP, FBILP) to FLL enabled (FEI, FEE, FBE, FBI). If a crystal/resonator is being used as the reference, this specification assumes it is already running.

<sup>4</sup> Jitter is the average deviation from the programmed frequency measured over the specified interval at maximum  $f_{Bus}$ . Measurements are made with the device powered by filtered supplies and clocked by a stable external clock signal. Noise injected into the FLL circuitry via  $V_{DD}$  and  $V_{SS}$  and variation in crystal oscillator frequency increase the  $C_{Jitter}$  percentage for a given interval.

Figure 15. Deviation of DCO Output Across Temperature at  $V_{DD} = 3.0$  V

## Electrical Characteristics

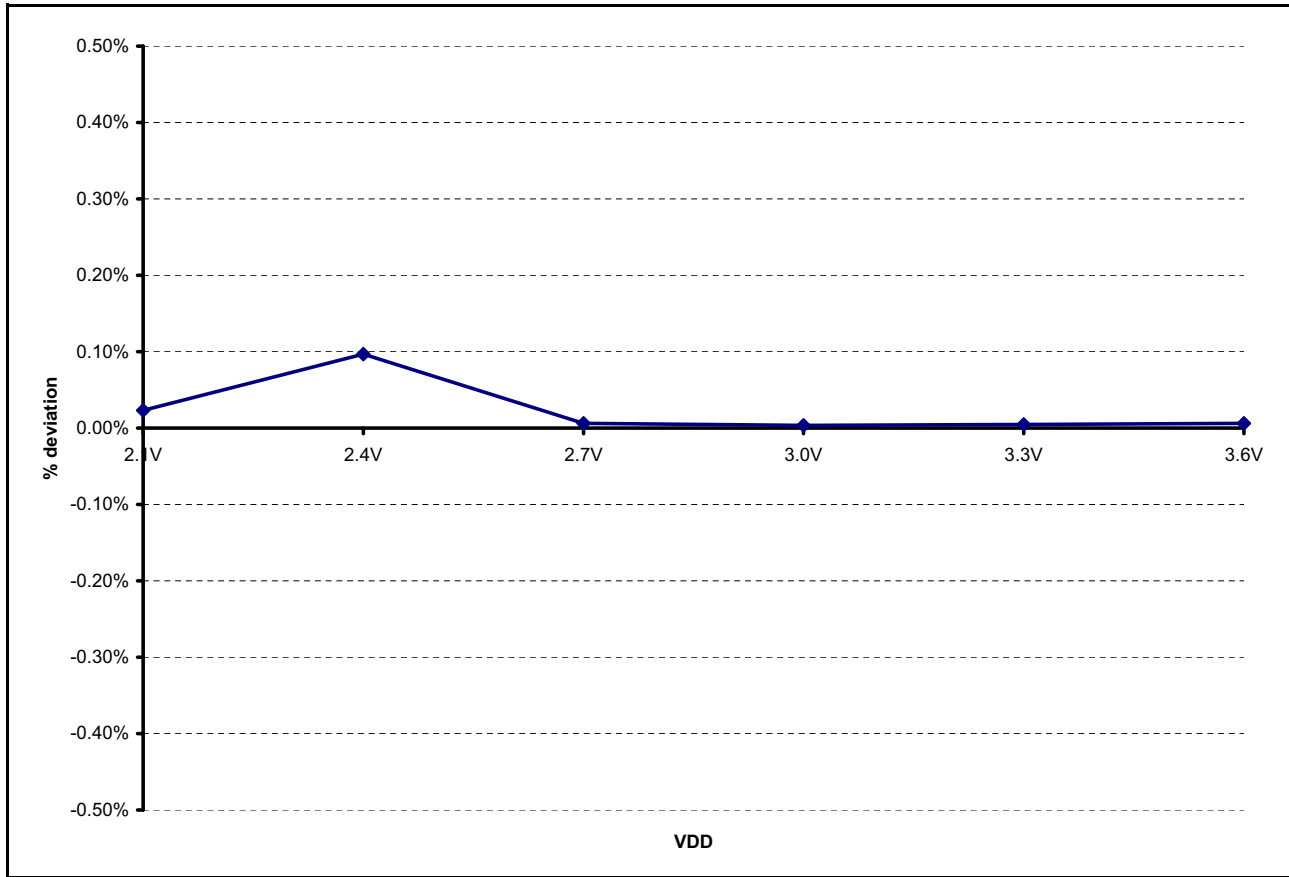


Figure 16. Deviation of DCO Output Across V<sub>DD</sub> at 25°C

## 3.10 AC Characteristics

This section describes timing characteristics for each peripheral system.

### 3.10.1 Control Timing

Table 13. Control Timing

Num	C	Rating	Symbol	Min	Typ <sup>1</sup>	Max	Unit
1	D	Bus frequency ( $t_{cyc} = 1/f_{Bus}$ ) V <sub>DD</sub> ≥ 1.8V V <sub>DD</sub> > 2.1V V <sub>DD</sub> > 2.4V	f <sub>Bus</sub>	dc	— — —	10 20 25.165	MHz
2	D	Internal low power oscillator period	t <sub>LPO</sub>	700	—	1300	μs
3	D	External reset pulse width <sup>2</sup>	t <sub>extrst</sub>	100	—	—	ns
4	D	Reset low drive	t <sub>rstdrv</sub>	34 × t <sub>cyc</sub>	—	—	ns
5	D	BKGD/MS setup time after issuing background debug force reset to enter user or BDM modes	t <sub>MSSU</sub>	500	—	—	ns
6	D	BKGD/MS hold time after issuing background debug force reset to enter user or BDM modes <sup>3</sup>	t <sub>MSH</sub>	100	—	—	μs

Table 13. Control Timing (continued)

Num	C	Rating	Symbol	Min	Typ <sup>1</sup>	Max	Unit
7	D	IRQ pulse width Asynchronous path <sup>2</sup> Synchronous path <sup>4</sup>	$t_{LILH}$ , $t_{HIL}$	100 $1.5 \times t_{cyc}$	— —	— —	ns
8	D	Keyboard interrupt pulse width Asynchronous path <sup>2</sup> Synchronous path <sup>4</sup>	$t_{LILH}$ , $t_{HIL}$	100 $1.5 \times t_{cyc}$	— —	— —	ns
9	C	Port rise and fall time — Low output drive (PTxDS = 0) (load = 50 pF) <sup>5</sup> Slew rate control disabled (PTxSE = 0) Slew rate control enabled (PTxSE = 1)	$t_{Rise}$ , $t_{Fall}$	— —	8 31	— —	ns
		Port rise and fall time — High output drive (PTxDS = 1) (load = 50 pF) Slew rate control disabled (PTxSE = 0) Slew rate control enabled (PTxSE = 1)	$t_{Rise}$ , $t_{Fall}$	— —	7 24	— —	ns
10		Voltage regulator recovery time	$t_{VRR}$	—	4	—	$\mu$ s

<sup>1</sup> Typical values are based on characterization data at  $V_{DD} = 3.0V$ ,  $25^{\circ}C$  unless otherwise stated.

<sup>2</sup> This is the shortest pulse that is guaranteed to be recognized as a reset or interrupt pin request. Shorter pulses are not guaranteed to override reset requests from internal sources.

<sup>3</sup> To enter BDM mode following a POR, BKGD/MS should be held low during the power-up and for a hold time of  $t_{MSH}$  after  $V_{DD}$  rises above  $V_{LVD}$ .

<sup>4</sup> This is the minimum pulse width that is guaranteed to pass through the pin synchronization circuitry. Shorter pulses may or may not be recognized. In stop mode, the synchronizer is bypassed so shorter pulses can be recognized in that case.

<sup>5</sup> Timing is shown with respect to 20%  $V_{DD}$  and 80%  $V_{DD}$  levels. Temperature range  $-40^{\circ}C$  to  $85^{\circ}C$ .

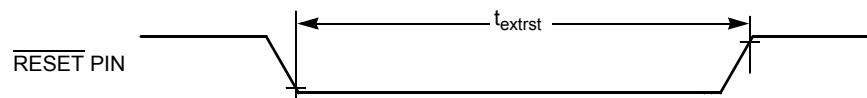
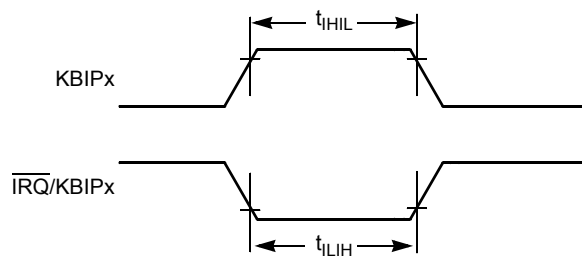


Figure 17. Reset Timing

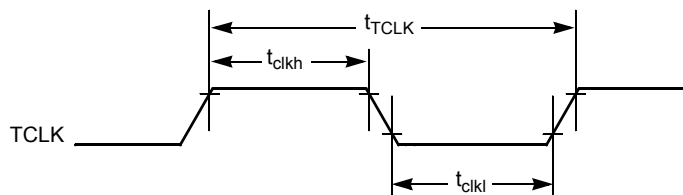
Figure 18.  $\overline{IRQ}/KBIPx$  Timing

### 3.10.2 TPM Module Timing

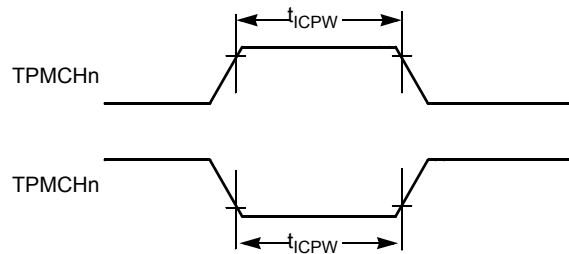
Synchronizer circuits determine the shortest input pulses that can be recognized or the fastest clock that can be used as the optional external source to the timer counter. These synchronizers operate from the current bus rate clock.

**Table 14. TPM Input Timing**

No.	C	Function	Symbol	Min	Max	Unit
1	D	External clock frequency	$f_{TCLK}$	0	$f_{Bus}/4$	Hz
2	D	External clock period	$t_{TCLK}$	4	—	$t_{cyc}$
3	D	External clock high time	$t_{clkh}$	1.5	—	$t_{cyc}$
4	D	External clock low time	$t_{clkl}$	1.5	—	$t_{cyc}$
5	D	Input capture pulse width	$t_{ICPW}$	1.5	—	$t_{cyc}$



**Figure 19. Timer External Clock**



**Figure 20. Timer Input Capture Pulse**

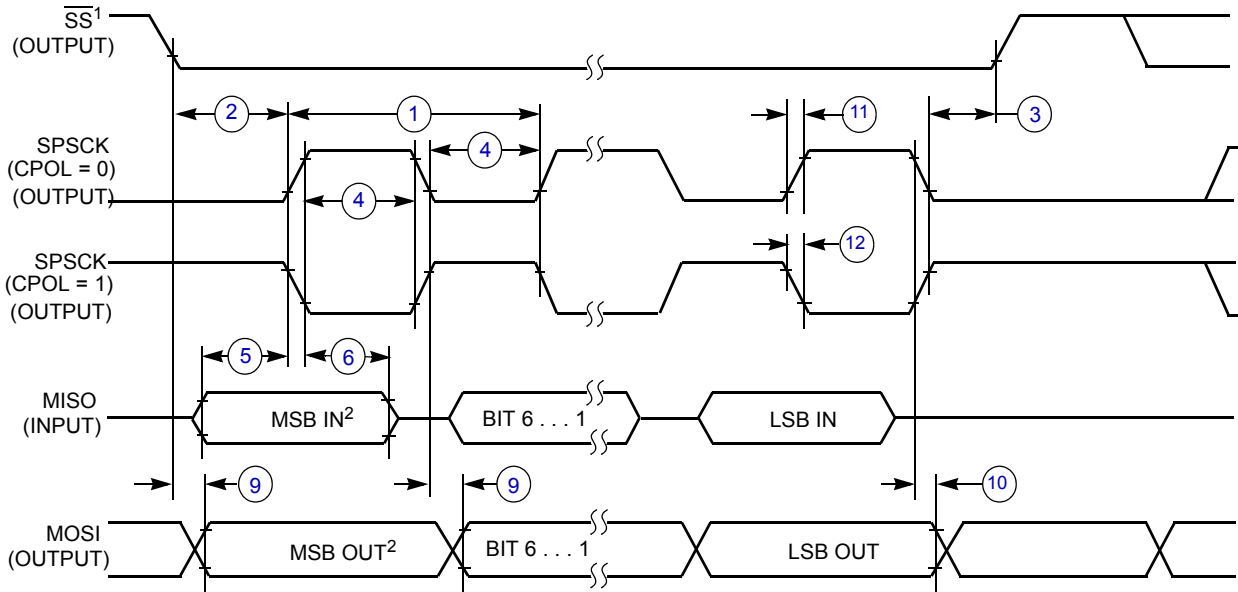
### 3.10.3 SPI Timing

Table 15 and Figure 21 through Figure 24 describe the timing requirements for the SPI system.

**Table 15. SPI Timing**

No.	C	Function	Symbol	Min	Max	Unit
—	D	Operating frequency	$f_{op}$	$f_{Bus}/2048$ 0	$f_{Bus}/2$ $f_{Bus}/4$	Hz
		Master				Hz
1	D	SPSCK period	$t_{SPSCK}$	2 4	2048 —	$t_{cyc}$
		Master				$t_{cyc}$
2	D	Enable lead time	$t_{Lead}$	1/2 1	— —	$t_{SPSCK}$
		Master				$t_{cyc}$
3	D	Enable lag time	$t_{Lag}$	1/2 1	— —	$t_{SPSCK}$
		Master				$t_{cyc}$
4	D	Clock (SPSCK) high or low time	$t_{WSPSCK}$	$t_{cyc} - 30$ $t_{cyc} - 30$	1024 $t_{cyc}$ —	ns
		Master				ns
5	D	Data setup time (inputs)	$t_{SU}$	15 15	— —	ns
		Master				ns
6	D	Data hold time (inputs)	$t_{HI}$	0 25	— —	ns
		Master				ns
7	D	Slave access time	$t_a$	—	1	$t_{cyc}$
8	D	Slave MISO disable time	$t_{dis}$	—	1	$t_{cyc}$
9	D	Data valid (after SPSCK edge)	$t_v$	— —	25 25	ns
		Master				ns
10	D	Data hold time (outputs)	$t_{HO}$	0 0	— —	ns
		Master				ns
11	D	Rise time	$t_{RI}$ $t_{RO}$	— —	$t_{cyc} - 25$ 25	ns
		Input				ns
12	D	Fall time	$t_{FI}$ $t_{FO}$	— —	$t_{cyc} - 25$ 25	ns
		Input				ns
		Output				ns
		Output				ns

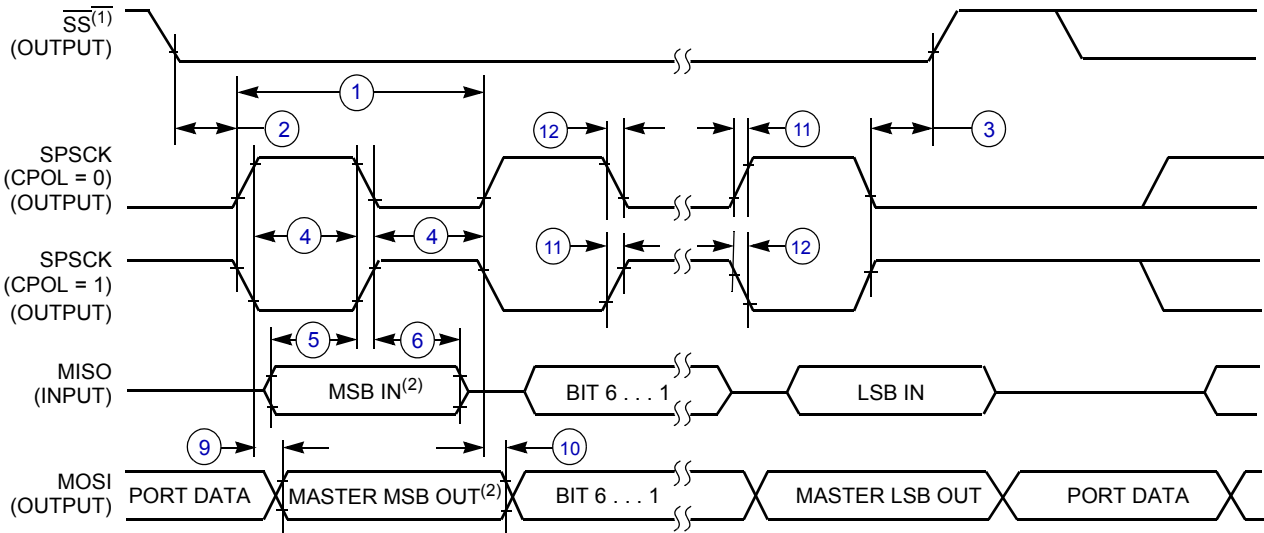
**Electrical Characteristics**



**NOTES:**

1.  $\overline{SS}$  output mode (DDS7 = 1, SSOE = 1).
2. LSBF = 0. For LSBF = 1, bit order is LSB, bit 1, ..., bit 6, MSB.

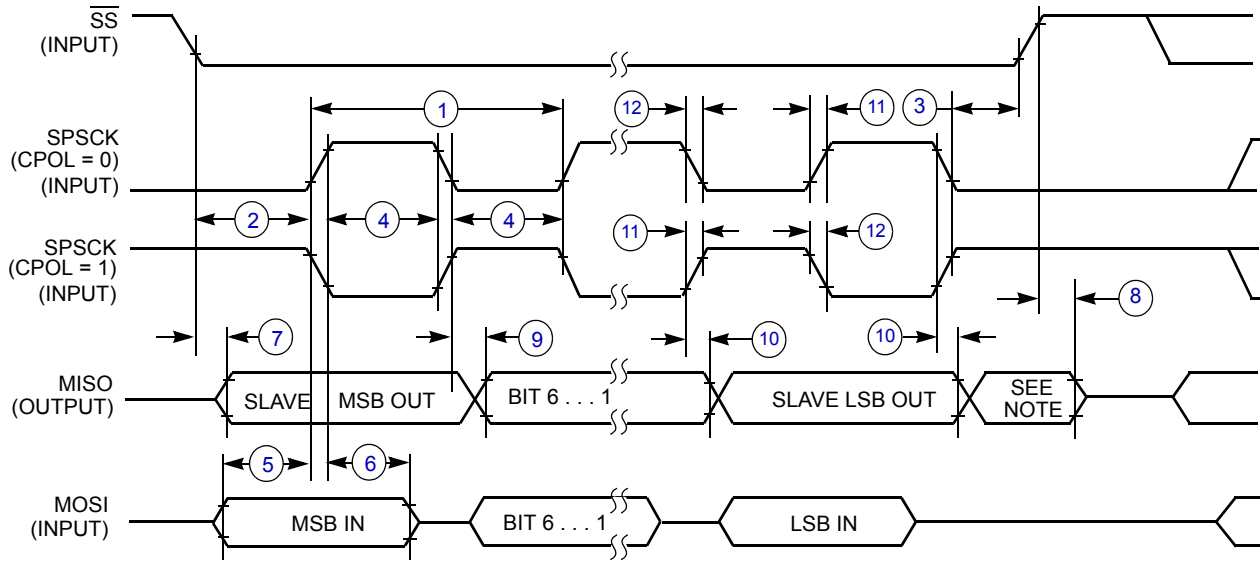
**Figure 21. SPI Master Timing (CPHA = 0)**



**NOTES:**

1.  $\overline{SS}$  output mode (DDS7 = 1, SSOE = 1).
2. LSBF = 0. For LSBF = 1, bit order is LSB, bit 1, ..., bit 6, MSB.

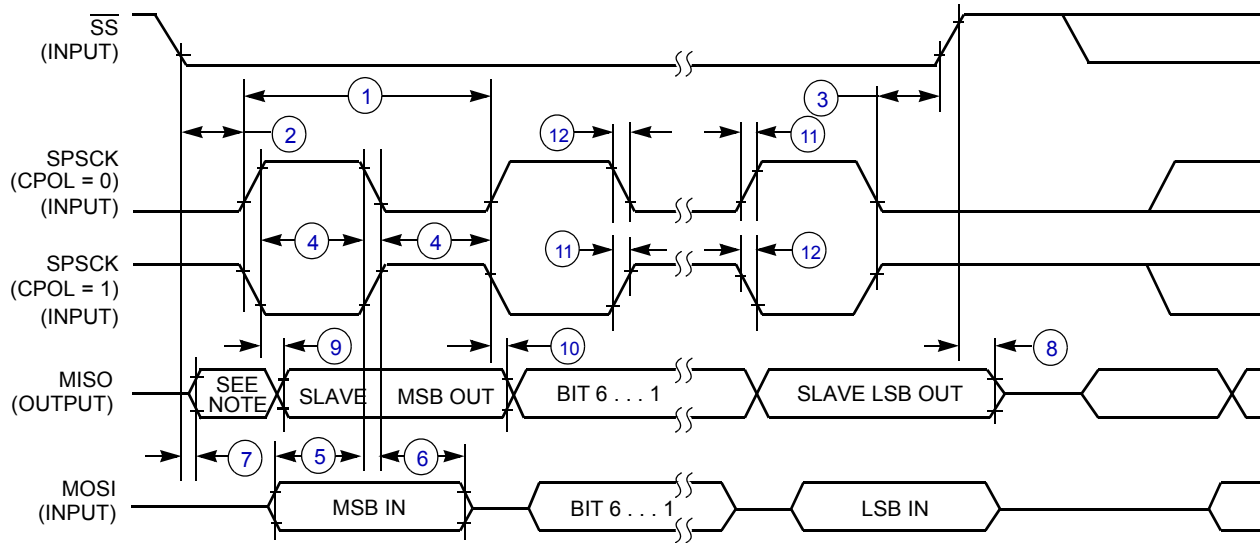
**Figure 22. SPI Master Timing (CPHA = 1)**



NOTE:

1. Not defined but normally MSB of character just received

**Figure 23. SPI Slave Timing (CPHA = 0)**



NOTE:

1. Not defined but normally LSB of character just received

**Figure 24. SPI Slave Timing (CPHA = 1)**

### 3.11 Analog Comparator (ACMP) Electricals

Table 16. Analog Comparator Electrical Specifications

C	Characteristic	Symbol	Min	Typical	Max	Unit
D	Supply voltage	$V_{DD}$	1.80	—	3.6	V
C	Supply current (active)	$I_{DDAC}$	—	20	35	$\mu\text{A}$
D	Analog input voltage	$V_{AIN}$	$V_{SS} - 0.3$	—	$V_{DD}$	V
C	Analog input offset voltage	$V_{AIO}$		20	40	mV
C	Analog comparator hysteresis	$V_H$	3.0	9.0	15.0	mV
P	Analog input leakage current	$I_{ALKG}$	—	—	1.0	$\mu\text{A}$
C	Analog comparator initialization delay	$t_{AINIT}$	—	—	1.0	$\mu\text{s}$

### 3.12 ADC Characteristics

Table 17. 12-bit ADC Operating Conditions

C	Characteristic	Conditions	Symb	Min	Typ <sup>1</sup>	Max	Unit	Comment
D	Supply voltage	Absolute	$V_{DDAD}$	1.8	—	3.6	V	
		Delta to $V_{DD}$ ( $V_{DD} - V_{DDAD}$ ) <sup>2</sup>	$\Delta V_{DDAD}$	-100	0	+100	mV	
D	Ground voltage	Delta to $V_{SS}$ ( $V_{SS} - V_{SSAD}$ ) <sup>2</sup>	$\Delta V_{SSAD}$	-100	0	+100	mV	
D	Ref Voltage High		$V_{REFH}$	1.8	$V_{DDAD}$	$V_{DDAD}$	V	
D	Ref Voltage Low		$V_{REFL}$	$V_{SSAD}$	$V_{SSAD}$	$V_{SSAD}$	V	
D	Input Voltage		$V_{ADIN}$	$V_{REFL}$	—	$V_{REFH}$	V	
C	Input Capacitance		$C_{ADIN}$	—	4.5	5.5	pF	
C	Input Resistance		$R_{ADIN}$	—	5	7	k $\Omega$	
C	Analog Source Resistance	12 bit mode $f_{ADCK} > 4\text{MHz}$ $f_{ADCK} < 4\text{MHz}$	$R_{AS}$	—	—	2	k $\Omega$	External to MCU
		—		—	5			
		10 bit mode $f_{ADCK} > 4\text{MHz}$ $f_{ADCK} < 4\text{MHz}$		—	—	5		
	8 bit mode (all valid $f_{ADCK}$ )	—	—	10				
D	ADC Conversion Clock Freq.	High Speed (ADLPC=0)	$f_{ADCK}$	0.4	—	8.0	MHz	
		Low Power (ADLPC=1)		0.4	—	4.0		

<sup>1</sup> Typical values assume  $V_{DDAD} = 3.0\text{V}$ ,  $\text{Temp} = 25^\circ\text{C}$ ,  $f_{ADCK} = 1.0\text{MHz}$  unless otherwise stated. Typical values are for reference only and are not tested in production.

<sup>2</sup> DC potential difference.



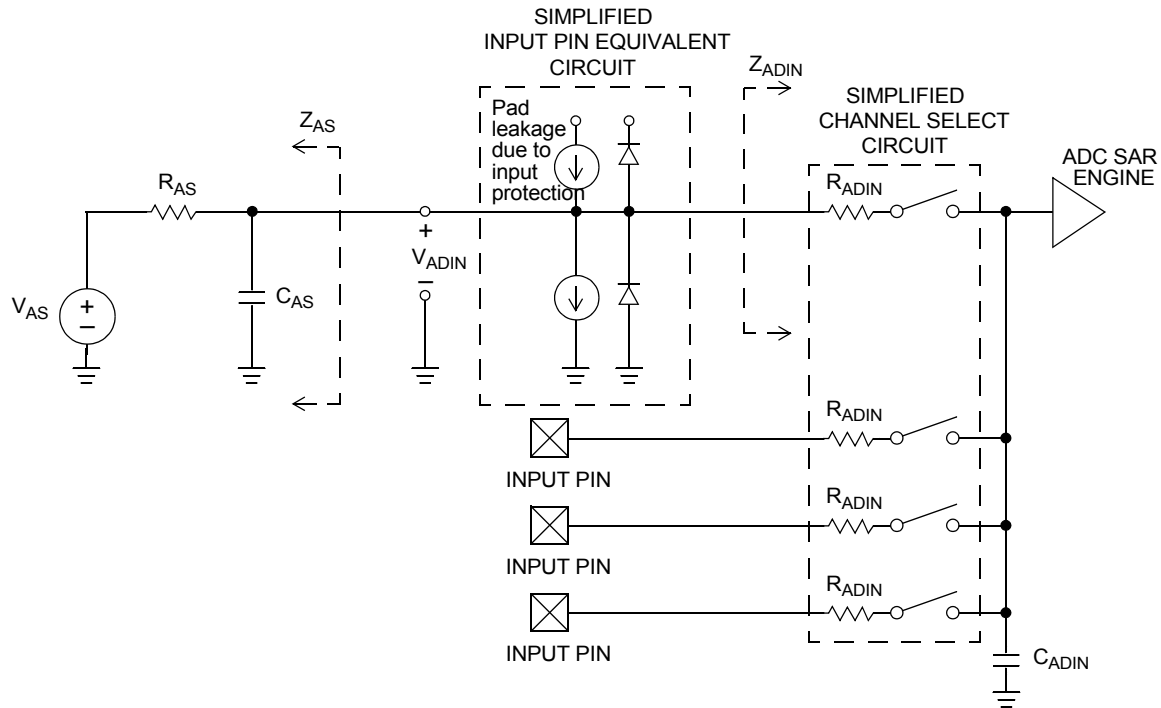


Figure 25. ADC Input Impedance Equivalency Diagram

Table 18. 12-bit ADC Characteristics ( $V_{REFH} = V_{DDAD}$ ,  $V_{REFL} = V_{SSAD}$ )

Characteristic	Conditions	C	Symb	Min	Typ <sup>1</sup>	Max	Unit	Comment
Supply Current ADLPC=1 ADLSMP=1 ADCO=1		T	$I_{DDAD}$	—	120	—	$\mu\text{A}$	
Supply Current ADLPC=1 ADLSMP=0 ADCO=1		T	$I_{DDAD}$	—	202	—	$\mu\text{A}$	
Supply Current ADLPC=0 ADLSMP=1 ADCO=1		T	$I_{DDAD}$	—	288	—	$\mu\text{A}$	
Supply Current ADLPC=0 ADLSMP=0 ADCO=1		D	$I_{DDAD}$	—	0.532	1	mA	
Supply Current	Stop, Reset, Module Off	P	$I_{DDAD}$	—	0.007	0.8	$\mu\text{A}$	
ADC Asynchronous Clock Source	High Speed (ADLPC=0)	P	$f_{ADACK}$	2	3.3	5	MHz	$t_{ADACK} = 1/f_{ADACK}$
	Low Power (ADLPC=1)	P		1.25	2	3.3		

## Electrical Characteristics

**Table 18. 12-bit ADC Characteristics ( $V_{REFH} = V_{DDAD}$ ,  $V_{REFL} = V_{SSAD}$ ) (continued)**

Characteristic	Conditions	C	Symb	Min	Typ <sup>1</sup>	Max	Unit	Comment	
Conversion Time (Including sample time)	Short Sample (ADLSMP=0)	P	$t_{ADC}$	—	20	—	ADCK cycles	See the ADC chapter in the <i>MC9S08QE128 Reference Manual</i> for conversion time variances	
	Long Sample (ADLSMP=1)	C		—	40	—			
Sample Time	Short Sample (ADLSMP=0)	P	$t_{ADS}$	—	3.5	—	ADCK cycles		
	Long Sample (ADLSMP=1)	C		—	23.5	—			
Total Unadjusted Error	12 bit mode	T	$E_{TUE}$	—	$\pm 3.0$	—	LSB <sup>2</sup>		Includes Quantization
	10 bit mode	P		—	$\pm 1$	$\pm 2.5$			
	8 bit mode	T		—	$\pm 0.5$	$\pm 1.0$			
Differential Non-Linearity	12 bit mode	T	DNL	—	$\pm 1.75$	—	LSB <sup>2</sup>		
	10 bit mode <sup>3</sup>	P		—	$\pm 0.5$	$\pm 1.0$			
	8 bit mode <sup>3</sup>	T		—	$\pm 0.3$	$\pm 0.5$			
Integral Non-Linearity	12 bit mode	T	INL	—	$\pm 1.5$	—	LSB <sup>2</sup>		
	10 bit mode	T		—	$\pm 0.5$	$\pm 1.0$			
	8 bit mode	T		—	$\pm 0.3$	$\pm 0.5$			
Zero-Scale Error	12 bit mode	T	$E_{ZS}$	—	$\pm 1.5$	—	LSB <sup>2</sup>	$V_{ADIN} = V_{SSAD}$	
	10 bit mode	P		—	$\pm 0.5$	$\pm 1.5$			
	8 bit mode	T		—	$\pm 0.5$	$\pm 0.5$			
Full-Scale Error	12 bit mode	T	$E_{FS}$	—	$\pm 1.0$	—	LSB <sup>2</sup>	$V_{ADIN} = V_{DDAD}$	
	10 bit mode	P		—	$\pm 0.5$	$\pm 1$			
	8 bit mode	T		—	$\pm 0.5$	$\pm 0.5$			
Quantization Error	12 bit mode	D	$E_Q$	—	-1 to 0	—	LSB <sup>2</sup>		
	10 bit mode			—	—	$\pm 0.5$			
	8 bit mode			—	—	$\pm 0.5$			
Input Leakage Error	12 bit mode	D	$E_{IL}$	—	$\pm 2$	—	LSB <sup>2</sup>		Pad leakage <sup>4</sup> * $R_{AS}$
	10 bit mode			—	$\pm 0.2$	$\pm 4$			
	8 bit mode			—	$\pm 0.1$	$\pm 1.2$			
Temp Sensor Slope	-40°C to 25°C	D	m	—	1.646	—	mV/°C		
	25°C to 85°C			—	1.769	—			
Temp Sensor Voltage	25°C	D	$V_{TEMP25}$	—	701.2	—	mV		

<sup>1</sup> Typical values assume  $V_{DDAD} = 3.0V$ , Temp = 25°C,  $f_{ADCK} = 1.0MHz$  unless otherwise stated. Typical values are for reference only and are not tested in production.

<sup>2</sup> 1 LSB =  $(V_{REFH} - V_{REFL})/2^N$

<sup>3</sup> Monotonicity and No-Missing-Codes guaranteed in 10 bit and 8 bit modes

<sup>4</sup> Based on input pad leakage current. Refer to pad electricals.

### 3.13 Flash Specifications

This section provides details about program/erase times and program-erase endurance for the flash memory.

Program and erase operations do not require any special power sources other than the normal  $V_{DD}$  supply. For more detailed information about program/erase operations, see the Memory section of the *MC9S08QE128 Reference Manual*.

**Table 19. Flash Characteristics**

C	Characteristic	Symbol	Min	Typical	Max	Unit
D	Supply voltage for program/erase -40°C to 85°C	$V_{\text{prog/erase}}$	1.8		3.6	V
D	Supply voltage for read operation	$V_{\text{Read}}$	1.8		3.6	V
D	Internal FCLK frequency <sup>1</sup>	$f_{\text{FCLK}}$	150		200	kHz
D	Internal FCLK period (1/FCLK)	$t_{\text{FcyC}}$	5		6.67	μs
P	Byte program time (random location) <sup>(2)</sup>	$t_{\text{prog}}$	9			$t_{\text{FcyC}}$
P	Byte program time (burst mode) <sup>(2)</sup>	$t_{\text{Burst}}$	4			$t_{\text{FcyC}}$
P	Page erase time <sup>2</sup>	$t_{\text{Page}}$	4000			$t_{\text{FcyC}}$
P	Mass erase time <sup>(2)</sup>	$t_{\text{Mass}}$	20,000			$t_{\text{FcyC}}$
	Byte program current <sup>3</sup>	$R_{\text{IDDBP}}$	—	4	—	mA
	Page erase current <sup>3</sup>	$R_{\text{IDDPE}}$	—	6	—	mA
C	Program/erase endurance <sup>4</sup> $T_L$ to $T_H = -40^\circ\text{C}$ to $+85^\circ\text{C}$ $T = 25^\circ\text{C}$		10,000 —	— 100,000	— —	cycles
C	Data retention <sup>5</sup>	$t_{\text{D\_ret}}$	15	100	—	years

<sup>1</sup> The frequency of this clock is controlled by a software setting.

<sup>2</sup> These values are hardware state machine controlled. User code does not need to count cycles. This information supplied for calculating approximate time to program and erase.

<sup>3</sup> The program and erase currents are additional to the standard run  $I_{DD}$ . These values are measured at room temperatures with  $V_{DD} = 3.0$  V, bus frequency = 4.0 MHz.

<sup>4</sup> **Typical endurance for flash** was evaluated for this product family on the HC9S12Dx64. For additional information on how Freescale defines typical endurance, please refer to Engineering Bulletin EB619, *Typical Endurance for Nonvolatile Memory*.

<sup>5</sup> **Typical data retention** values are based on intrinsic capability of the technology measured at high temperature and de-rated to 25°C using the Arrhenius equation. For additional information on how Freescale defines typical data retention, please refer to Engineering Bulletin EB618, *Typical Data Retention for Nonvolatile Memory*.

## 4 Ordering Information

This section contains ordering information for MC9S08QE128, MC9S08QE96, and MC9S08QE64 devices.

**Table 20. Ordering Information**

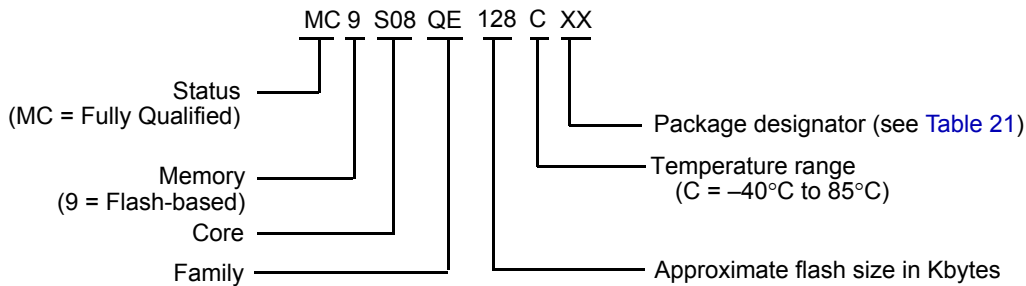
Freescale Part Number <sup>1</sup>	Memory		Temperature range (°C)	Package <sup>2</sup>
	Flash	RAM		
MC9S08QE128CLK	128K	8K	-40 to +85	80 LQFP
MC9S08QE128CLH			-40 to +85	64 LQFP
MC9S08QE128CFT			-40 to +85	48 QFN
MC9S08QE128CLD			-40 to +85	44 LQFP
MC9S08QE96CLK	96K	6K	-40 to +85	80 LQFP
MC9S08QE96CLH			-40 to +85	64 LQFP
MC9S08QE96CFT			-40 to +85	48 QFN
MC9S08QE96CLD			-40 to +85	44 QFP
MC9S08QE64CLH	64K	4K	-40 to +85	64 LQFP
MC9S08QE64CFT			-40 to +85	48 QFN
MC9S08QE64CLD			-40 to +85	44 QFP
MC9S08QE64CLC			-40 to +85	32 LQFP

<sup>1</sup> See the reference manual, *MC9S08QE128RM*, for a complete description of modules included on each device.

<sup>2</sup> See [Table 21](#) for package information.

### 4.1 Device Numbering System

Example of the device numbering system:



## 5 Package Information

The below table details the various packages available.

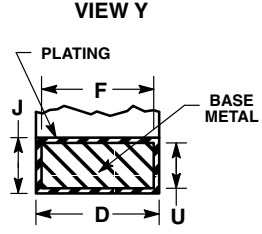
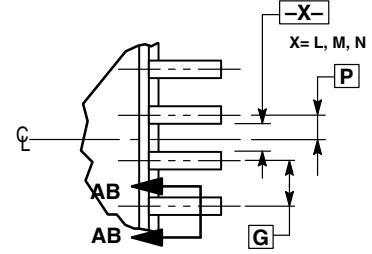
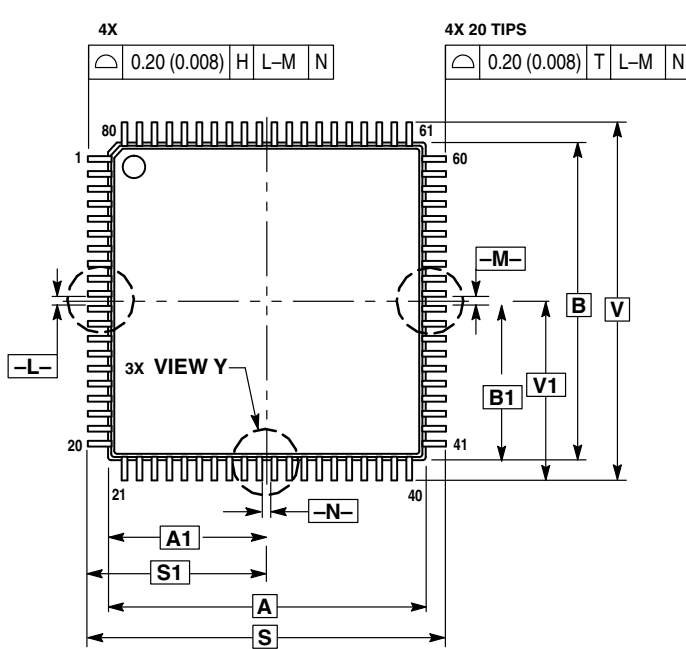
**Table 21. Package Descriptions**

Pin Count	Package Type	Abbreviation	Designator	Case No.	Document No.
80	Low Quad Flat Package	LQFP	LK	917A	98ASS23237W
64	Low Quad Flat Package	LQFP	LH	840F	98ASS23234W
48	Quad Flat No-Leads	QFN	FT	1314	98ARH99048A
44	Low Quad Flat Package	LQFP	LD	824D	98ASS23225W
32	Low Quad Flat Package	LQFP	LC	873A	98ASH70029A

## 5.1 Mechanical Drawings

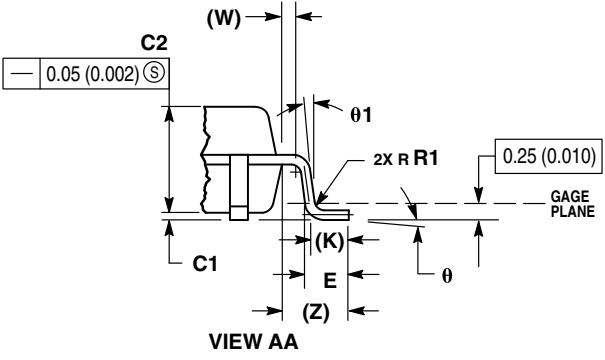
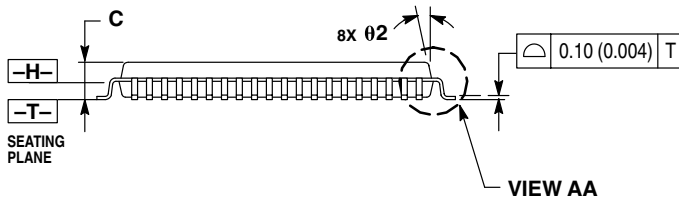
The following pages are mechanical drawings for the packages described in [Table 21](#). For the latest available drawings please visit our web site (<http://www.freescale.com>) and enter the package's document number into the keyword search box.

Package Information



0.13 (0.005) M T L-M S N S

SECTION AB-AB  
ROTATED 90° CLOCKWISE



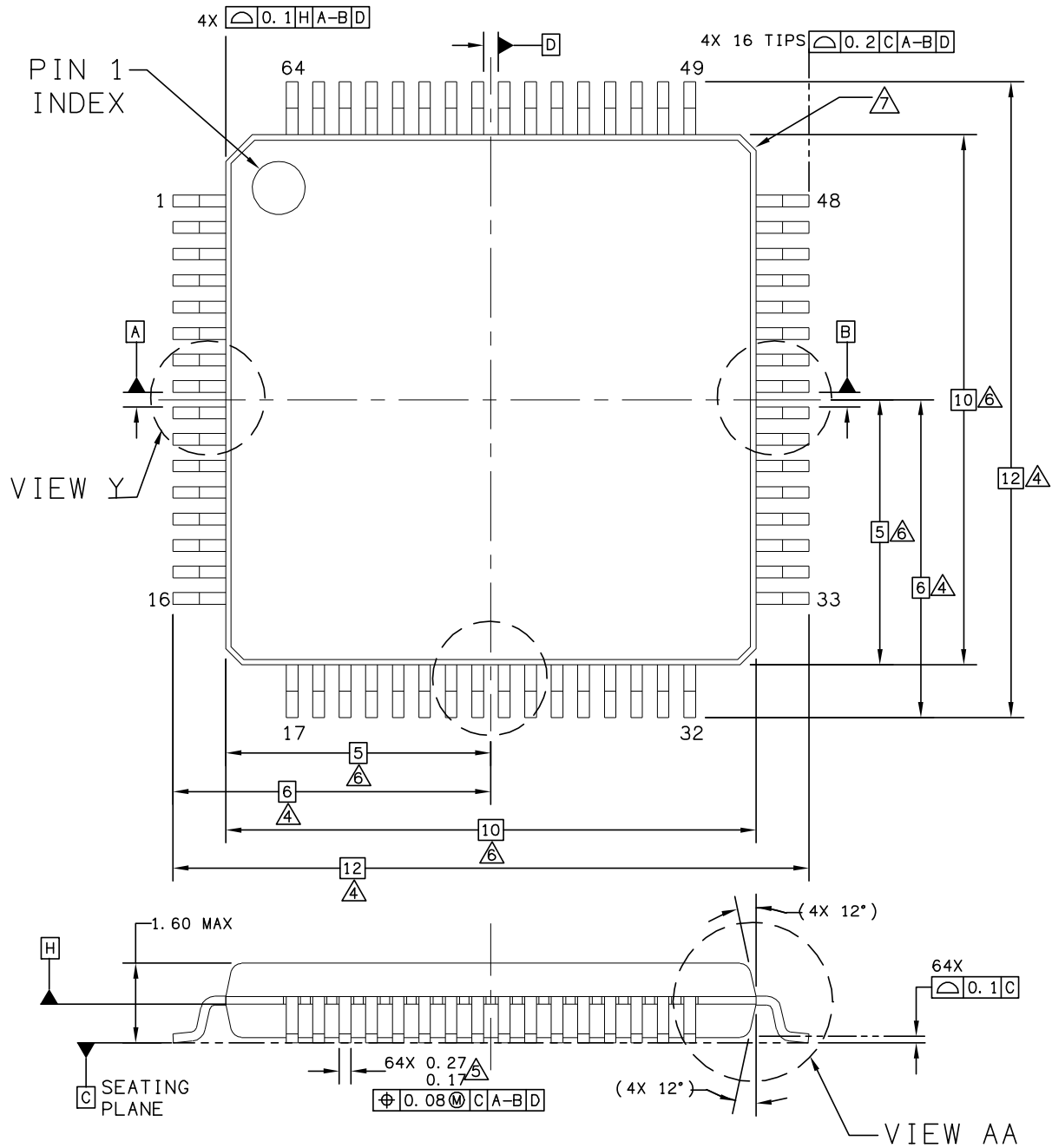
- NOTES:
1. DIMENSIONING AND TOLERANCING PER ANSI Y14.5M, 1982.
  2. CONTROLLING DIMENSION: MILLIMETER.
  3. DATUM PLANE -H- IS LOCATED AT BOTTOM OF LEAD AND IS COINCIDENT WITH THE LEAD WHERE THE LEAD EXITS THE PLASTIC BODY AT THE BOTTOM OF THE PARTING LINE.
  4. DATUMS -L-, -M- AND -N- TO BE DETERMINED AT DATUM PLANE -H-.
  5. DIMENSIONS S AND V TO BE DETERMINED AT SEATING PLANE -T-.
  6. DIMENSIONS A AND B DO NOT INCLUDE MOLD PROTRUSION. ALLOWABLE PROTRUSION IS 0.250 (0.010) PER SIDE. DIMENSIONS A AND B DO INCLUDE MOLD MISMATCH AND ARE DETERMINED AT DATUM PLANE -H-.
  7. DIMENSION D DOES NOT INCLUDE DAMBAR PROTRUSION. DAMBAR PROTRUSION SHALL NOT CAUSE THE LEAD WIDTH TO EXCEED 0.460 (0.018). MINIMUM SPACE BETWEEN PROTRUSION AND ADJACENT LEAD OR PROTRUSION 0.07 (0.003).

DIM	MILLIMETERS		INCHES	
	MIN	MAX	MIN	MAX
A	14.00 BSC		0.551 BSC	
A1	7.00 BSC		0.276 BSC	
B	14.00 BSC		0.551 BSC	
B1	7.00 BSC		0.276 BSC	
C		1.60		0.063
C1	0.04	0.24	0.002	0.009
C2	1.30	1.50	0.051	0.059
D	0.22	0.38	0.009	0.015
E	0.40	0.75	0.016	0.030
F	0.17	0.33	0.007	0.013
G	0.65 BSC		0.026 BSC	
J	0.09	0.27	0.004	0.011
K	0.50 REF		0.020 REF	
P	0.325 BSC		0.013 REF	
R1	0.10	0.20	0.004	0.008
S	16.00 BSC		0.630 BSC	
S1	8.00 BSC		0.315 BSC	
U	0.09	0.16	0.004	0.006
V	16.00 BSC		0.630 BSC	
V1	8.00 BSC		0.315 BSC	
W	0.20 REF		0.008 REF	
Z	1.00 REF		0.039 REF	
Ø	0°	10°	0°	10°
Ø1	0°		0°	
Ø2	9°	14°	9°	14°

DATE 09/21/95

CASE 917A-02  
ISSUE C

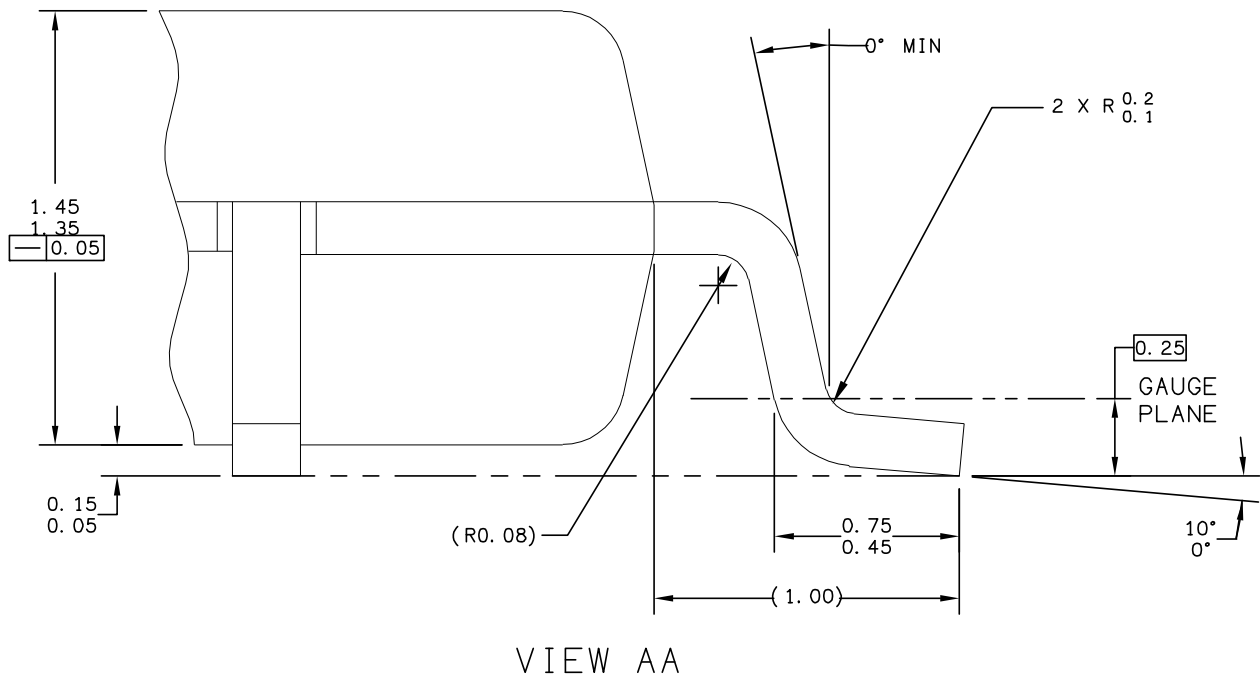
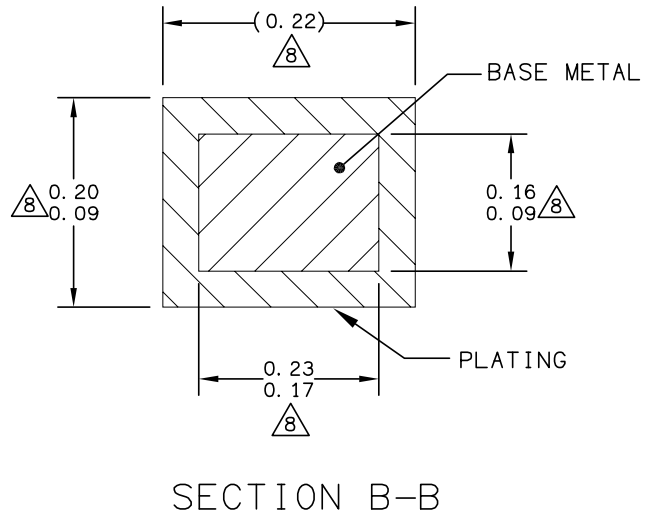
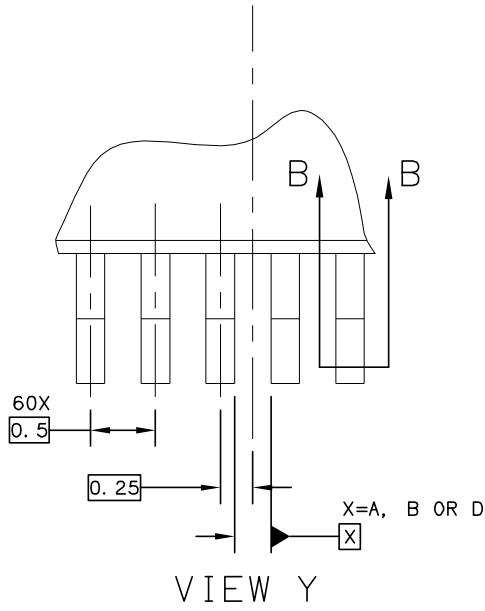
Figure 26. 80-pin LQFP Package Drawing (Case 917A, Doc #98ASS23237W)



© FREESCALE SEMICONDUCTOR, INC. ALL RIGHTS RESERVED.	MECHANICAL OUTLINE	PRINT VERSION NOT TO SCALE	
TITLE: 64LD LQFP, 10 X 10 X 1.4 PKG, 0.5 PITCH, CASE OUTLINE	DOCUMENT NO: 98ASS23234W	REV: D	
	CASE NUMBER: 840F-02	06 APR 2005	
	STANDARD: JEDEC MS-026 BCD		

Figure 27. 64-pin LQFP Package Drawing (Case 840F, Doc #98ASS23234W), Sheet 1 of 3

Package Information

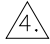






© FREESCALE SEMICONDUCTOR, INC. ALL RIGHTS RESERVED.	MECHANICAL OUTLINE	PRINT VERSION NOT TO SCALE	
TITLE: 64LD LQFP, 10 X 10 X 1.4 PKG, 0.5 PITCH, CASE OUTLINE	DOCUMENT NO: 98ASS23234W	REV: D	
	CASE NUMBER: 840F-02	06 APR 2005	
	STANDARD: JEDEC MS-026 BCD		

Figure 28. 64-pin LQFP Package Drawing (Case 840F, Doc #98ASS23234W), Sheet 2 of 3



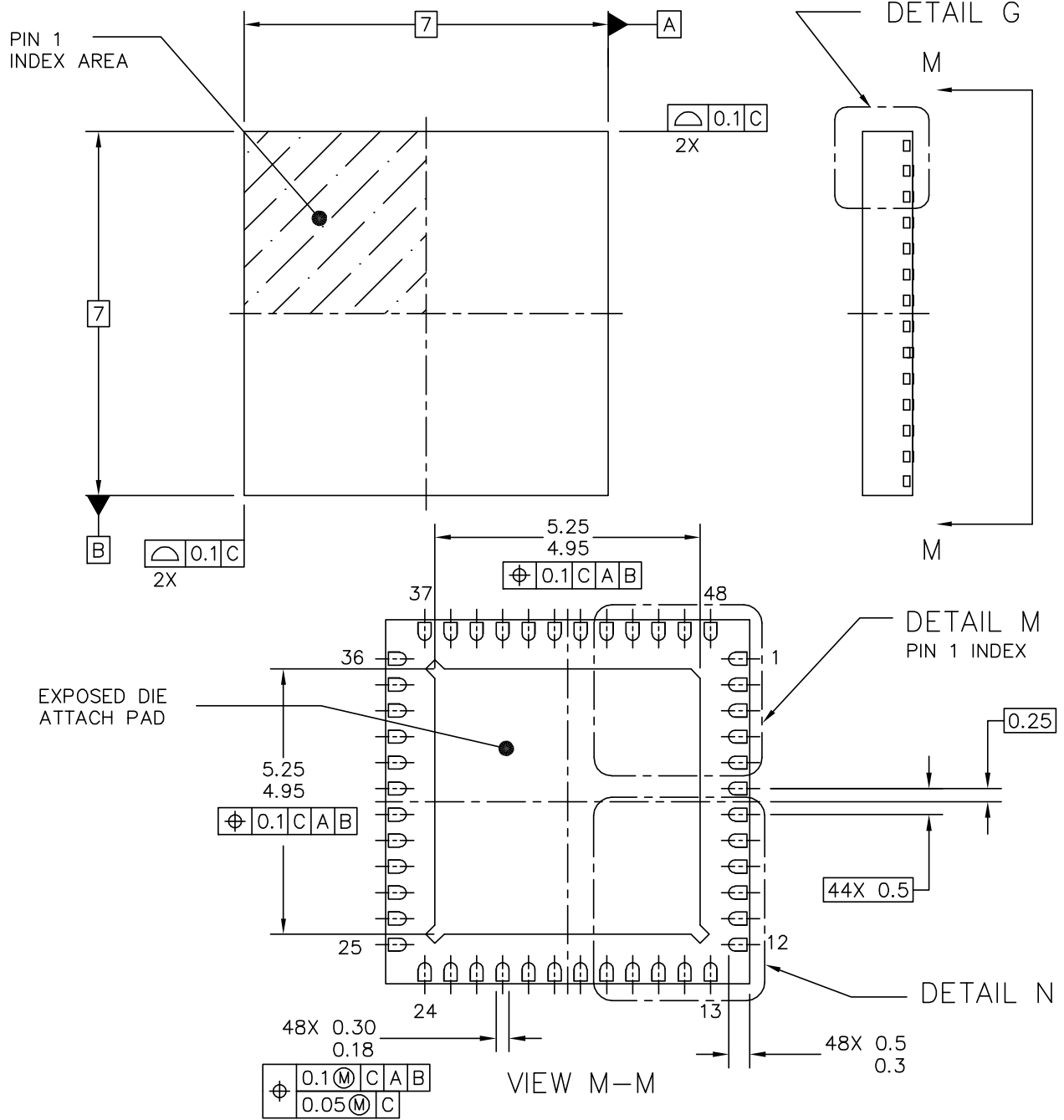
NOTES:

1. DIMENSIONS ARE IN MILLIMETERS.
2. DIMENSIONING AND TOLERANCING PER ASME Y14.5M-1994.
3. DATUMS A, B AND D TO BE DETERMINED AT DATUM PLANE H.
4.  DIMENSIONS TO BE DETERMINED AT SEATING PLANE C.
5.  THIS DIMENSION DOES NOT INCLUDE DAMBAR PROTRUSION. ALLOWABLE DAMBAR PROTRUSION SHALL NOT CAUSE THE LEAD WIDTH TO EXCEED THE UPPER LIMIT BY MORE THAN 0.08 mm AT MAXIMUM MATERIAL CONDITION. DAMBAR CANNOT BE LOCATED ON THE LOWER RADIUS OR THE FOOT. MINIMUM SPACE BETWEEN PROTRUSION AND ADJACENT LEAD SHALL NOT BE LESS THAN 0.07 mm.
6.  THIS DIMENSION DOES NOT INCLUDE MOLD PROTRUSION. ALLOWABLE PROTRUSION IS 0.25 mm PER SIDE. THIS DIMENSION IS MAXIMUM PLASTIC BODY SIZE DIMENSION INCLUDING MOLD MISMATCH.
7.  EXACT SHAPE OF EACH CORNER IS OPTIONAL.
8.  THESE DIMENSIONS APPLY TO THE FLAT SECTION OF THE LEAD BETWEEN 0.1 mm AND 0.25 mm FROM THE LEAD TIP.

© FREESCALE SEMICONDUCTOR, INC. ALL RIGHTS RESERVED.	MECHANICAL OUTLINE	PRINT VERSION NOT TO SCALE	
TITLE: 64LD LQFP, 10 X 10 X 1.4 PKG, 0.5 PITCH, CASE OUTLINE	DOCUMENT NO: 98ASS23234W	REV: D	
	CASE NUMBER: 840F-02	06 APR 2005	
	STANDARD: JEDEC MS-026 BCD		

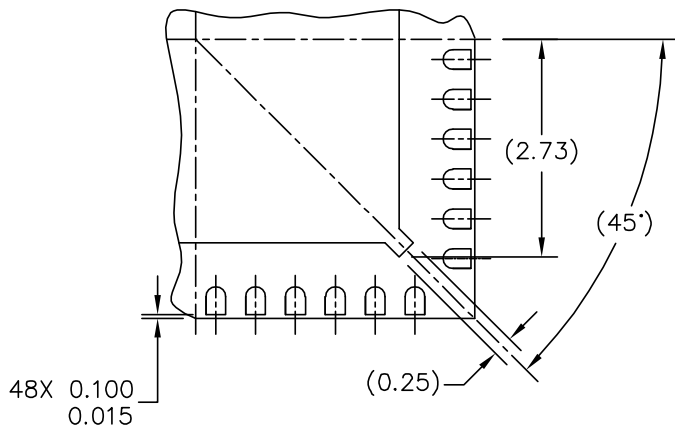
Figure 29. 64-pin LQFP Package Drawing (Case 840F, Doc #98ASS23234W), Sheet 3 of 3

Package Information

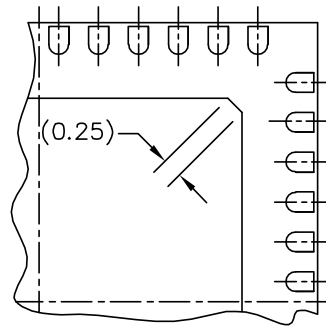


© FREESCALE SEMICONDUCTOR, INC. ALL RIGHTS RESERVED.	<b>MECHANICAL OUTLINE</b>	PRINT VERSION NOT TO SCALE	
TITLE: THERMALLY ENHANCED QUAD FLAT NON-LEADED PACKAGE (QFN) 48 TERMINAL, 0.5 PITCH (7 X 7 X 1)	DOCUMENT NO: 98ARH99048A	REV: F	
	CASE NUMBER: 1314-05	05 DEC 2005	
	STANDARD: JEDEC-MO-220 VKKD-2		

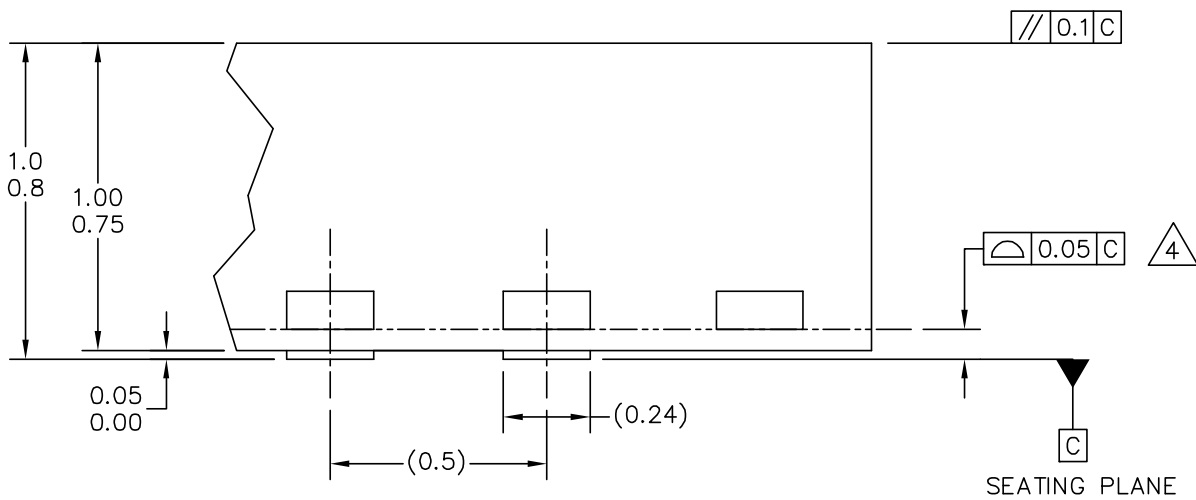
Figure 30. 48-pin QFN Package Drawing (Case 1314, Doc #98ARH99048A), Sheet 1 of 3



DETAIL N  
PREFERRED CORNER CONFIGURATION



DETAIL M  
PREFERRED PIN 1 BACKSIDE IDENTIFIER

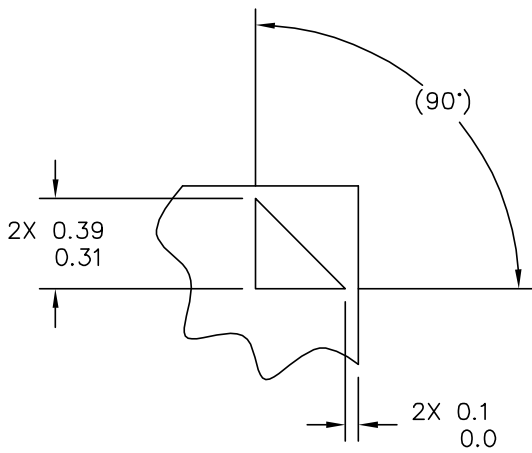
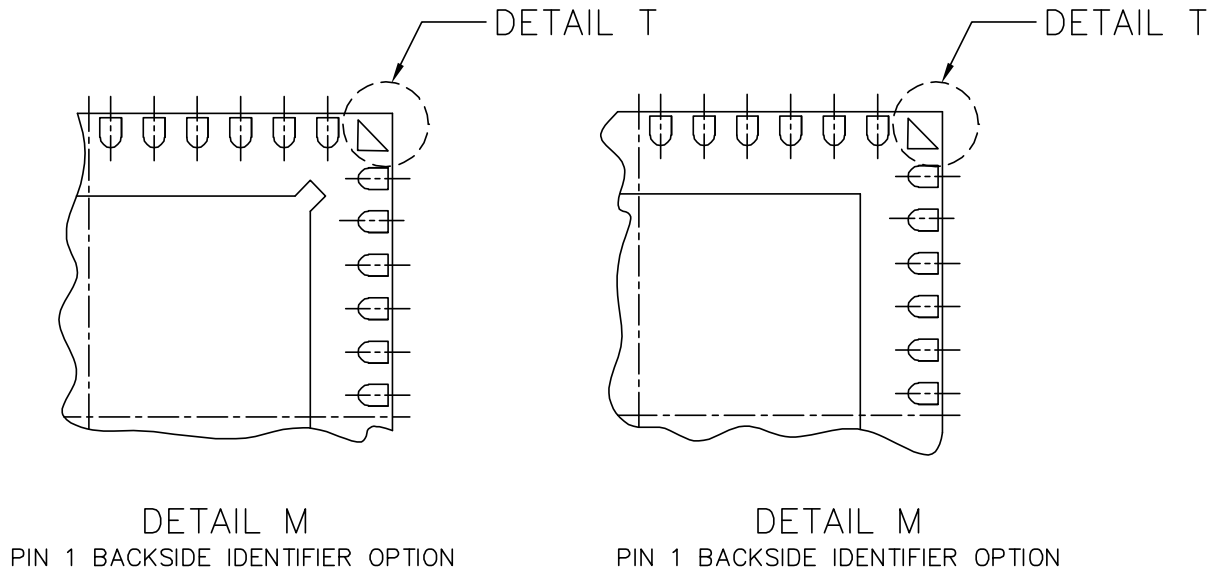


DETAIL G  
VIEW ROTATED 90° CW

© FREESCALE SEMICONDUCTOR, INC. ALL RIGHTS RESERVED.	<b>MECHANICAL OUTLINE</b>	PRINT VERSION NOT TO SCALE	
TITLE: THERMALLY ENHANCED QUAD FLAT NON-LEADED PACKAGE (QFN) 48 TERMINAL, 0.5 PITCH (7 X 7 X 1)	DOCUMENT NO: 98ARH99048A	REV: F	
	CASE NUMBER: 1314-05	05 DEC 2005	
	STANDARD: JEDEC-MO-220 VKKD-2		

Figure 31. 48-pin QFN Package Drawing (Case 1314, Doc #98ARH99048A), Sheet 2 of 3

Package Information

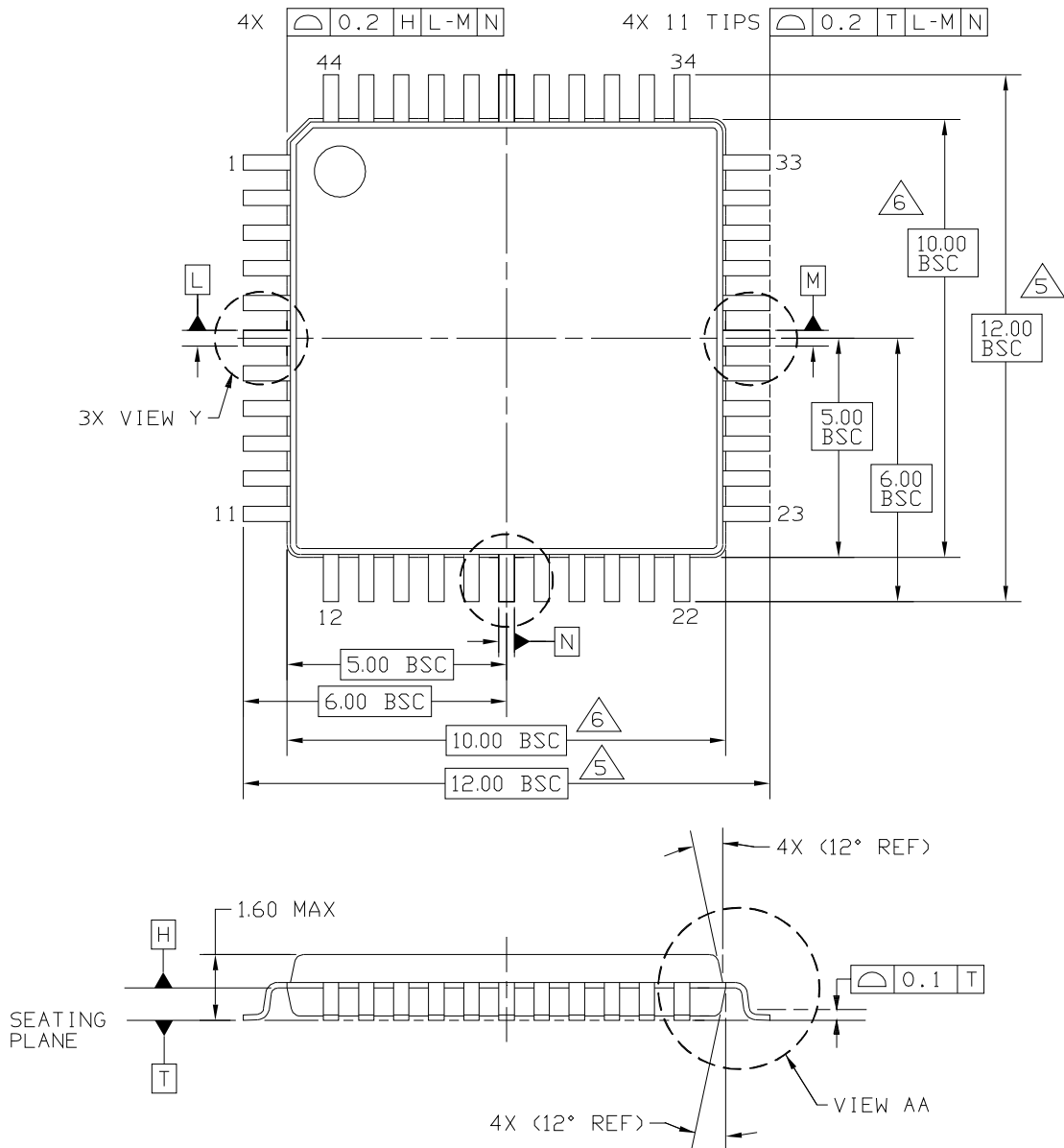


NOTES:

1. DIMENSIONS ARE IN MILLIMETERS.
2. INTERPRET DIMENSIONS AND TOLERANCES PER ASME Y14.5M-1994.
3. THE COMPLETE JEDEC DESIGNATOR FOR THIS PACKAGE IS: HF-PQFN.
4. COPLANARITY APPLIES TO LEADS, CORNER LEADS, AND DIE ATTACH PAD.
5. MIN METAL GAP SHOULD BE 0.2MM.

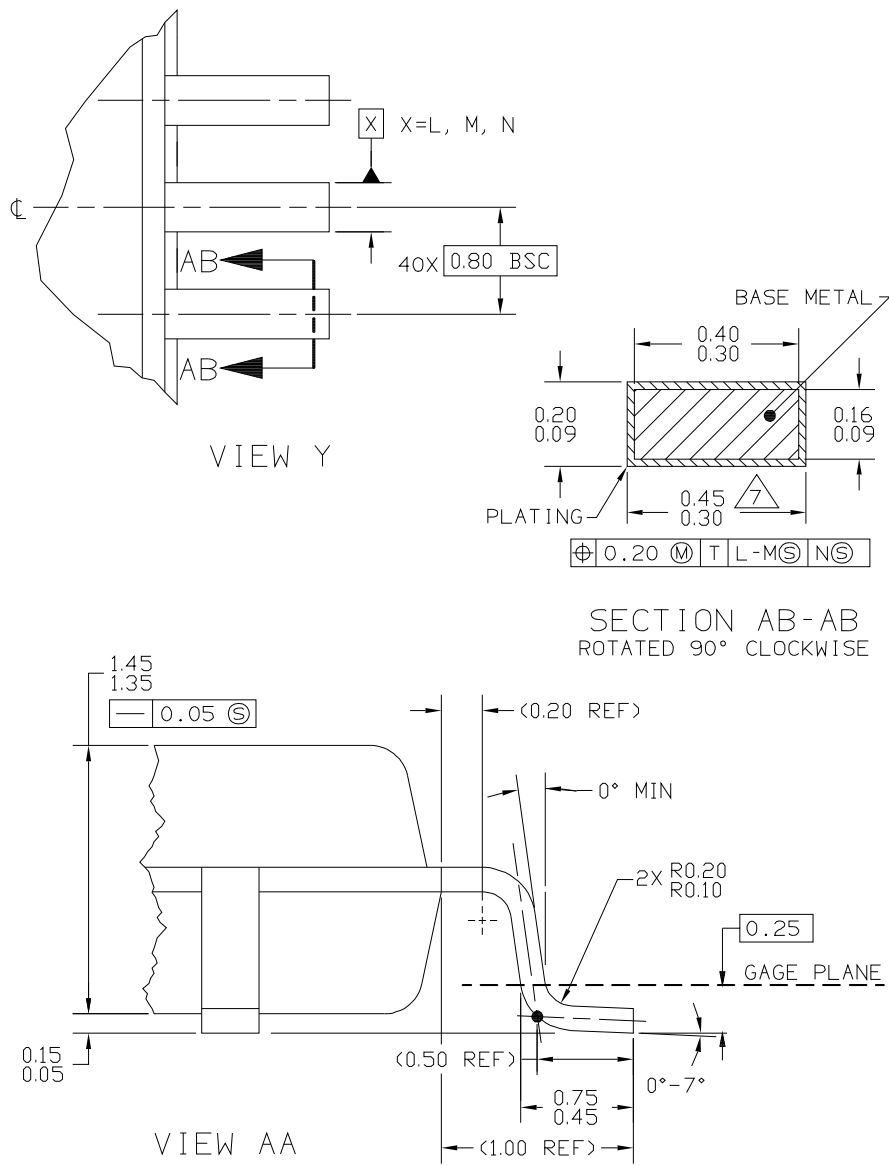
© FREESCALE SEMICONDUCTOR, INC. ALL RIGHTS RESERVED.	<b>MECHANICAL OUTLINE</b>	PRINT VERSION NOT TO SCALE	
TITLE: THERMALLY ENHANCED QUAD FLAT NON-LEADED PACKAGE (QFN) 48 TERMINAL, 0.5 PITCH (7 X 7 X 1)	DOCUMENT NO: 98ARH99048A		REV: F
	CASE NUMBER: 1314-05		05 DEC 2005
	STANDARD: JEDEC-MO-220 VKKD-2		

Figure 32. 48-pin QFN Package Drawing (Case 1314, Doc #98ARH99048A), Sheet 3 of 3



© FREESCALE SEMICONDUCTOR, INC. ALL RIGHTS RESERVED.	MECHANICAL OUTLINE	PRINT VERSION NOT TO SCALE	
TITLE: 44 LD LQFP, 10 X 10 PKG, 0.8 PITCH, 1.4 THICK	DOCUMENT NO: 98ASS23225W	REV: D	
	CASE NUMBER: 824D-02	26 FEB 2007	
	STANDARD: JEDEC MS-026-BCB		

Figure 33. 44-pin LQFP Package Drawing (Case 824D, Doc #98ASS23225W), Sheet 1 of 3



© FREESCALE SEMICONDUCTOR, INC. ALL RIGHTS RESERVED.	MECHANICAL OUTLINE	PRINT VERSION NOT TO SCALE	
TITLE: 44 LD LQFP, 10 X 10 PKG, 0.8 PITCH, 1.4 THICK	DOCUMENT NO: 98ASS23225W	REV: D	
	CASE NUMBER: 824D-02	26 FEB 2007	
	STANDARD: JEDEC MS-026 BCB		

Figure 34. 44-pin LQFP Package Drawing (Case 824D, Doc #98ASS23225W), Sheet 2 of 3

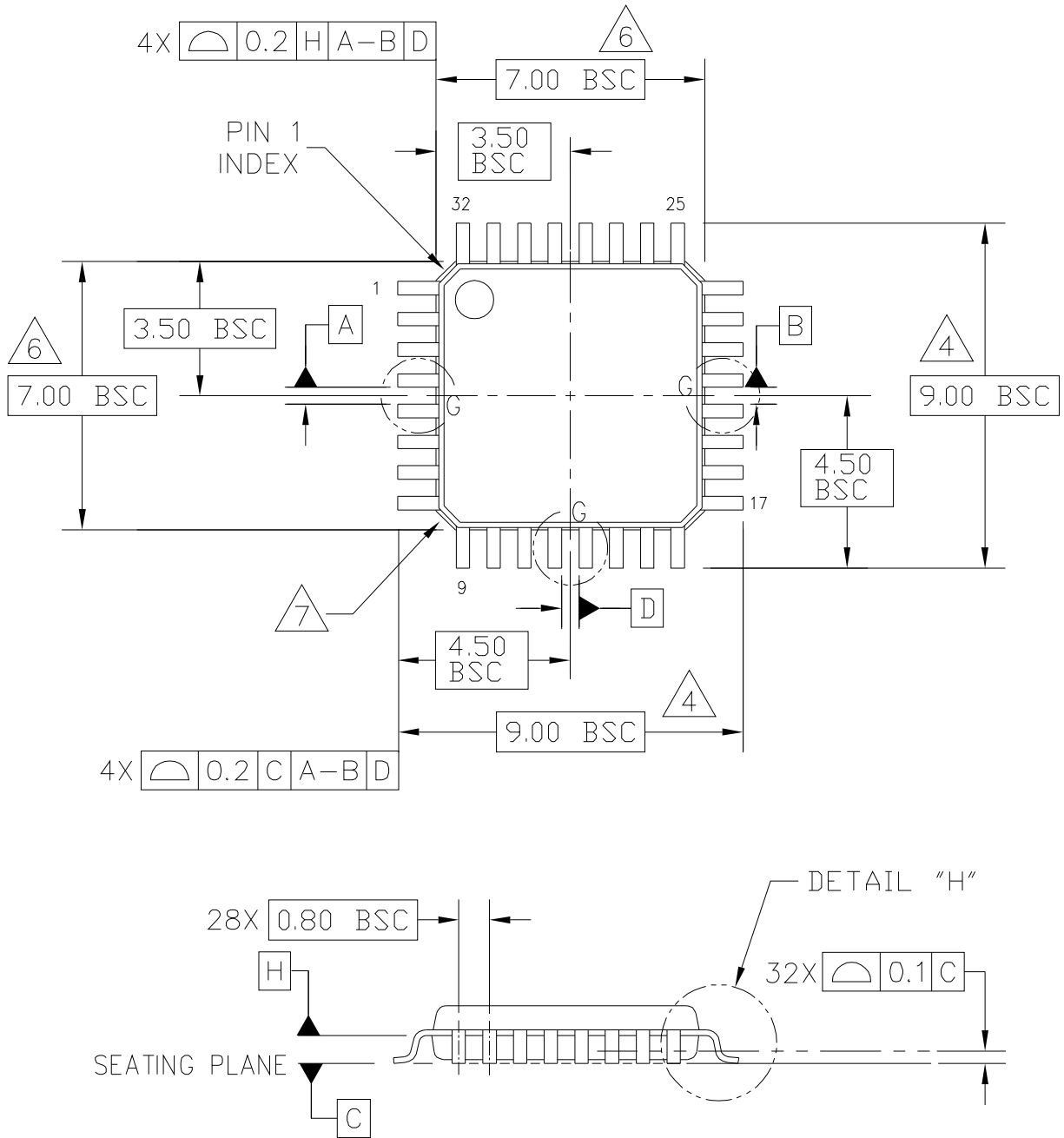
NOTES:

1. DIMENSIONS AND TOLERANCING PER ASME Y14.5M-1994.
2. CONTROLLING DIMENSION: MILLIMETER
3. DATUM PLANE H IS LOCATED AT BOTTOM OF LEAD AND IS COINCIDENT WITH THE LEAD WHERE THE LEAD EXITS THE PLASTIC BODY AT THE BOTTOM OF THE PARTING LINE.
4. DATUMS L, M AND N TO BE DETERMINED AT DATUM PLANE H.
5. DIMENSIONS TO BE DETERMINED AT SEATING PLANE T.
6. DIMENSIONS DO NOT INCLUDE MOLD PROTRUSION. ALLOWABLE PROTRUSION IS 0.25 PER SIDE. DIMENSIONS DO INCLUDE MOLD MISMATCH AND ARE DETERMINED AT DATUM PLANE H.
7. DIMENSION DOES NOT INCLUDE DAMBAR PROTRUSION. DAMBAR PROTRUSION SHALL NOT CAUSE THE DIMENSION TO EXCEED 0.53. MINIMUM SPACE BETWEEN PROTRUSION AND ADJACENT LEAD OR PROTRUSION 0.07.

© FREESCALE SEMICONDUCTOR, INC. ALL RIGHTS RESERVED.	MECHANICAL OUTLINE	PRINT VERSION NOT TO SCALE	
TITLE: 44 LD LQFP, 10 X 10 PKG, 0.8 PITCH, 1.4 THICK	DOCUMENT NO: 98ASS23225W	REV: D	
	CASE NUMBER: 824D-02	26 FEB 2007	
	STANDARD: JEDEC MS-026 BCB		

**Figure 35. 44-pin LQFP Package Drawing (Case 824D, Doc #98ASS23225W), Sheet 3 of 3**

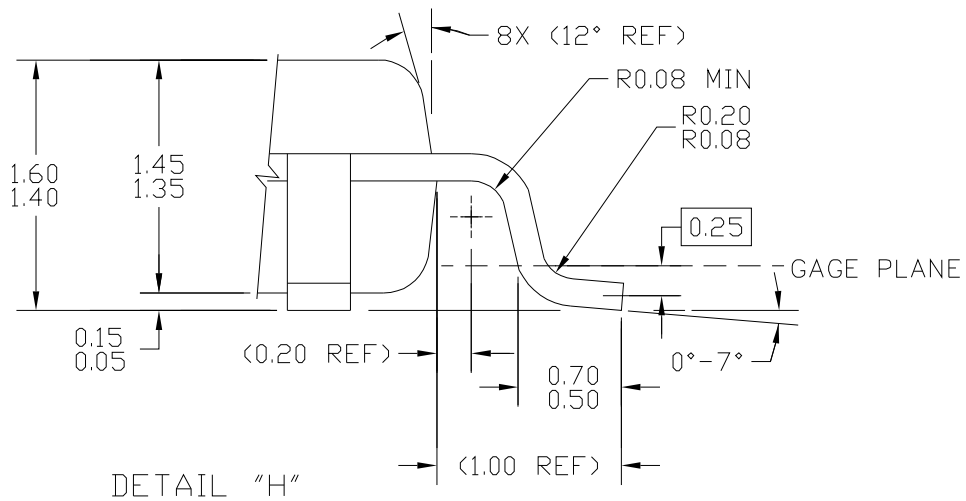
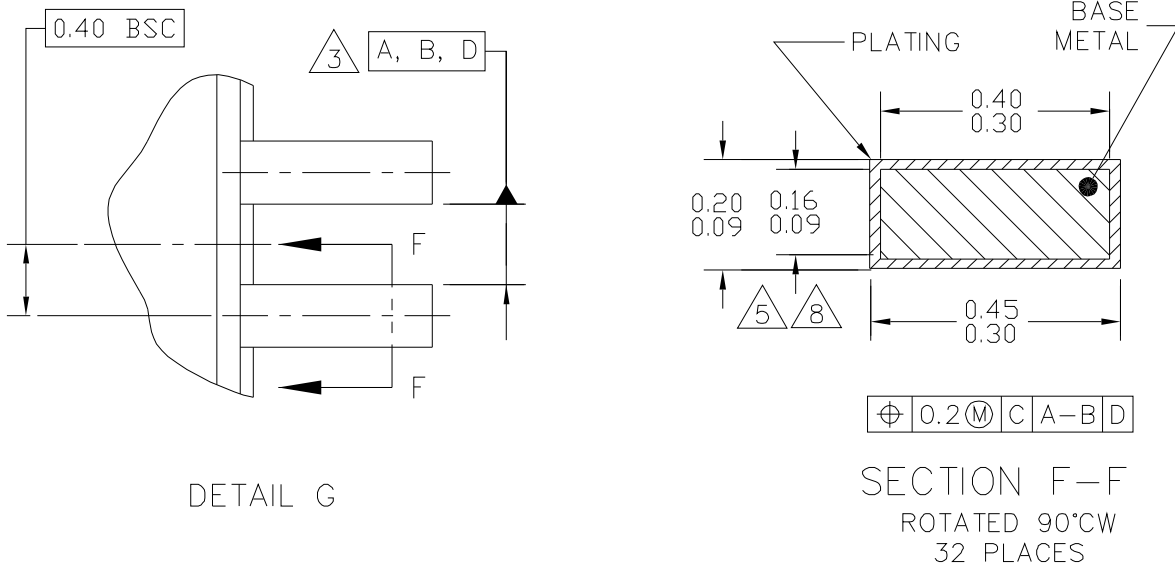
**Package Information**



© FREESCALE SEMICONDUCTOR, INC. ALL RIGHTS RESERVED.		MECHANICAL OUTLINE		PRINT VERSION NOT TO SCALE	
TITLE: LOW PROFILE QUAD FLAT PACK (LQFP) 32 LEAD, 0.8 PITCH (7 X 7 X 1.4)		DOCUMENT NO: 98ASH70029A		REV: D	
		CASE NUMBER: 873A-03		19 MAY 2005	
		STANDARD: JEDEC MS-026 BBA			

**Figure 36. 32-pin LQFP Package Drawing (Case 873A, Doc #98ASH70029A), Sheet 1 of 3**





© FREESCALE SEMICONDUCTOR, INC. ALL RIGHTS RESERVED.	MECHANICAL OUTLINE	PRINT VERSION NOT TO SCALE	
TITLE: LOW PROFILE QUAD FLAT PACK (LQFP) 32 LEAD, 0.8 PITCH (7 X 7 X 1.4)	DOCUMENT NO: 98ASH70029A	REV: D	
	CASE NUMBER: 873A-03	19 MAY 2005	
	STANDARD: JEDEC MS-026 BBA		

Figure 37. 32-pin LQFP Package Drawing (Case 873A, Doc #98ASH70029A), Sheet 2 of 3

**Package Information**

NOTES:

1. DIMENSIONS ARE IN MILLIMETERS.
2. INTERPRET DIMENSIONS AND TOLERANCES PER ASME Y14.5-1994.
3. DATUMS A, B, AND D TO BE DETERMINED AT DATUM PLANE H.
4. DIMENSIONS TO BE DETERMINED AT SEATING PLANE DATUM C.
5. DIMENSION DOES NOT INCLUDE DAMBAR PROTRUSION. ALLOWABLE DAMBAR PROTRUSION SHALL NOT CAUSE THE LEAD WIDTH TO EXCEED THE MAXIMUM DIMENSION BY MORE THAN 0.08 MM. DAMBAR CANNOT BE LOCATED ON THE LOWER RADIUS OR THE FOOT. MINIMUM SPACE BETWEEN PROTRUSION AND ADJACENT LEAD OR PROTRUSION: 0.07 MM.
6. DIMENSIONS DO NOT INCLUDE MOLD PROTRUSION. ALLOWABLE PROTRUSION IS 0.25 MM PER SIDE. DIMENSIONS ARE MAXIMUM PLASTIC BODY SIZE DIMENSIONS INCLUDING MOLD MISMATCH.
7. EXACT SHAPE OF EACH CORNER IS OPTIONAL.
8. THESE DIMENSIONS APPLY TO THE FLAT SECTION OF THE LEAD BETWEEN 0.1 MM AND 0.25 MM FROM THE LEAD TIP.

© FREESCALE SEMICONDUCTOR, INC. ALL RIGHTS RESERVED.	MECHANICAL OUTLINE	PRINT VERSION NOT TO SCALE	
TITLE: LOW PROFILE QUAD FLAT PACK (LQFP) 32 LEAD, 0.8 PITCH (7 X 7 X 1.4)	DOCUMENT NO: 98ASH70029A	REV: D	
	CASE NUMBER: 873A-03	19 MAY 2005	
	STANDARD: JEDEC MS-026 BBA		

**Figure 38. 32-pin LQFP Package Drawing (Case 873A, Doc #98ASH70029A), Sheet 3 of 3**

## 6 Product Documentation

Find the most current versions of all documents at: <http://www.freescale.com>

### Reference Manual (MC9S08QE128RM)

Contains extensive product information including modes of operation, memory, resets and interrupts, register definition, port pins, CPU, and all module information.

## 7 Revision History

To provide the most up-to-date information, the revision of our documents on the World Wide Web are the most current. Your printed copy may be an earlier revision. To verify you have the latest information available, refer to:

<http://www.freescale.com>

The following revision history table summarizes changes contained in this document.

**Table 22. Revision History**

Revision	Date	Description of Changes
4	9 Nov 2007	Replaced 44 QFP package with 44 LQFP package.
		Changed ACMP electricals, $V_{AIO}$ specification's test category from P to C.
5	28 May 2008	Updated the tables <b>Thermal Characteristics</b> , <b>DC Characteristics</b> , <b>Supply Current Characteristics</b> , <b>XOSC and ICS Specifications (Temperature Range = -40 to 85°C Ambient)</b> , <b>ICS Frequency Specifications (Temperature Range = -40 to 85°C Ambient)</b> , <b>Control Timing</b> , and <b>Analog Comparator Electrical Specifications</b> , <b>12-bit ADC Characteristics (VREFH = VDDAD, VREFL = VSSAD)</b> Updated the figures <b>Typical Run IDD for FBE and FEI, IDD vs. VDD (ACMP and ADC off, All Other Modules Enabled)</b> , <b>Deviation of DCO Output from Trimmed Frequency (50.33 MHz, 3.0 V)</b> , and <b>Deviation of DCO Output from Trimmed Frequency (50.33 MHz, 25°C)</b>
6	24 Jun 2008	Updated the table <b>Thermal Characteristics</b> Updated the row corresponding to Num 18 in the table <b>DC Characteristics</b> Updated the tables <b>MC9S08QE128 Series Features by MCU and Package</b> , <b>DC Characteristics</b> , <b>Supply Current Characteristics</b> , <b>Thermal Characteristics</b> , <b>Control Timing</b> , and <b>Ordering Information</b> Updated the figures <b>Typical Run IDD for FBE and FEI, IDD vs. VDD (ADC off, All Other Modules Enabled)</b> , <b>Deviation of DCO Output Across Temperature at VDD = 3.0 V</b> , and <b>Deviation of DCO Output Across VDD at 25°C</b>
7	2 Oct 2008	Updated the Stop2 and Stop3 mode supply current in the Supply Current Characteristics table. Replaced the stop mode adders section from the Supply Current Characteristics with its own Stop Mode Adders table with new specifications.

## How to Reach Us:

### Home Page:

[www.freescale.com](http://www.freescale.com)

### E-mail:

[support@freescale.com](mailto:support@freescale.com)

### USA/Europe or Locations Not Listed:

Freescale Semiconductor  
Technical Information Center, EL516  
2100 East Elliot Road  
Tempe, Arizona 85284  
1-800-521-6274 or +1-480-768-2130  
[www.freescale.com/support](http://www.freescale.com/support)

Europe, Middle East, and Africa:  
Freescale Halbleiter Deutschland GmbH  
Technical Information Center  
Schatzbogen 7  
81829 Muenchen, Germany  
+44 1296 380 456 (English)  
+46 8 52200080 (English)  
+49 89 92103 559 (German)  
+33 1 69 35 48 48 (French)  
[www.freescale.com/support](http://www.freescale.com/support)

### Japan:

Freescale Semiconductor Japan Ltd.  
Headquarters  
ARCO Tower 15F  
1-8-1, Shimo-Meguro, Meguro-ku,  
Tokyo 153-0064  
Japan  
0120 191014 or +81 3 5437 9125  
[support.japan@freescale.com](mailto:support.japan@freescale.com)

### Asia/Pacific:

Freescale Semiconductor China Ltd.  
Exchange Building 23F  
No. 118 Jianguo Road  
Chaoyang District  
Beijing 100022  
China  
+86 10 5879 8000  
[support.asia@freescale.com](mailto:support.asia@freescale.com)

### For Literature Requests Only:

Freescale Semiconductor Literature Distribution Center  
P.O. Box 5405  
Denver, Colorado 80217  
1-800-441-2447 or +1-303-675-2140  
Fax: +1-303-675-2150  
[LDCForFreescaleSemiconductor@hibbertgroup.com](mailto:LDCForFreescaleSemiconductor@hibbertgroup.com)

Document Number: MC9S08QE128

Rev. 7

10/2008

Information in this document is provided solely to enable system and software implementers to use Freescale Semiconductor products. There are no express or implied copyright licenses granted hereunder to design or fabricate any integrated circuits or integrated circuits based on the information in this document.

Freescale Semiconductor reserves the right to make changes without further notice to any products herein. Freescale Semiconductor makes no warranty, representation or guarantee regarding the suitability of its products for any particular purpose, nor does Freescale Semiconductor assume any liability arising out of the application or use of any product or circuit, and specifically disclaims any and all liability, including without limitation consequential or incidental damages. "Typical" parameters that may be provided in Freescale Semiconductor data sheets and/or specifications can and do vary in different applications and actual performance may vary over time. All operating parameters, including "Typicals", must be validated for each customer application by customer's technical experts. Freescale Semiconductor does not convey any license under its patent rights nor the rights of others. Freescale Semiconductor products are not designed, intended, or authorized for use as components in systems intended for surgical implant into the body, or other applications intended to support or sustain life, or for any other application in which the failure of the Freescale Semiconductor product could create a situation where personal injury or death may occur. Should Buyer purchase or use Freescale Semiconductor products for any such unintended or unauthorized application, Buyer shall indemnify and hold Freescale Semiconductor and its officers, employees, subsidiaries, affiliates, and distributors harmless against all claims, costs, damages, and expenses, and reasonable attorney fees arising out of, directly or indirectly, any claim of personal injury or death associated with such unintended or unauthorized use, even if such claim alleges that Freescale Semiconductor was negligent regarding the design or manufacture of the part.

RoHS-compliant and/or Pb-free versions of Freescale products have the functionality and electrical characteristics as their non-RoHS-compliant and/or non-Pb-free counterparts. For further information, see <http://www.freescale.com> or contact your Freescale sales representative.

For information on Freescale's Environmental Products program, go to <http://www.freescale.com/epp>.

Freescale™ and the Freescale logo are trademarks of Freescale Semiconductor, Inc. All other product or service names are the property of their respective owners.

© Freescale Semiconductor, Inc. 2008. All rights reserved.

