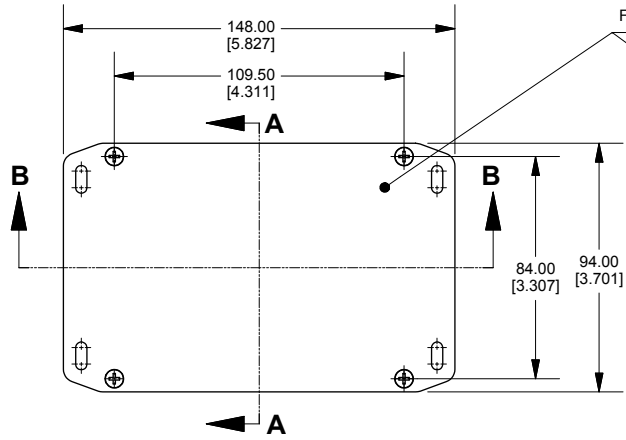
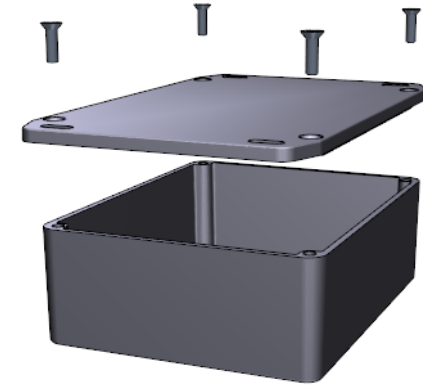
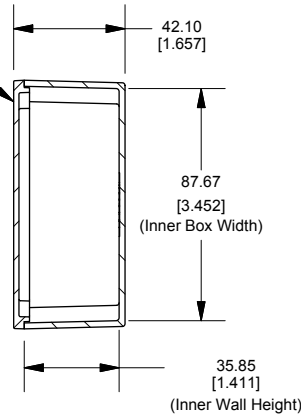


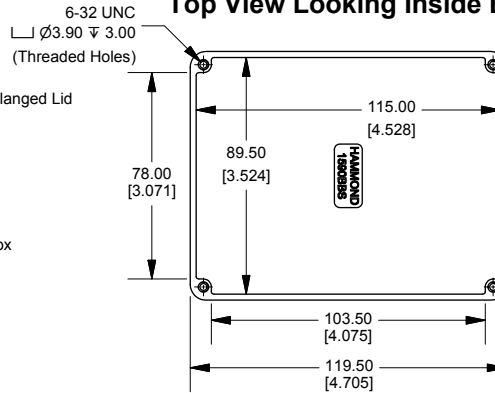
Top View of Assembly



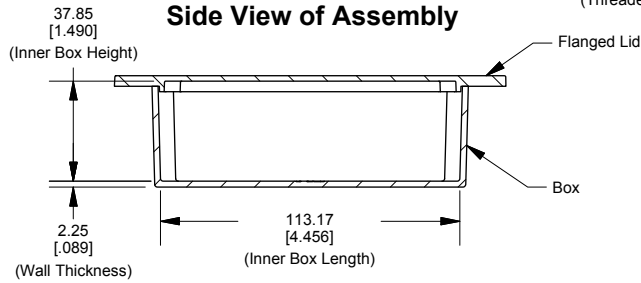
SECTION A-A End View of Assembly



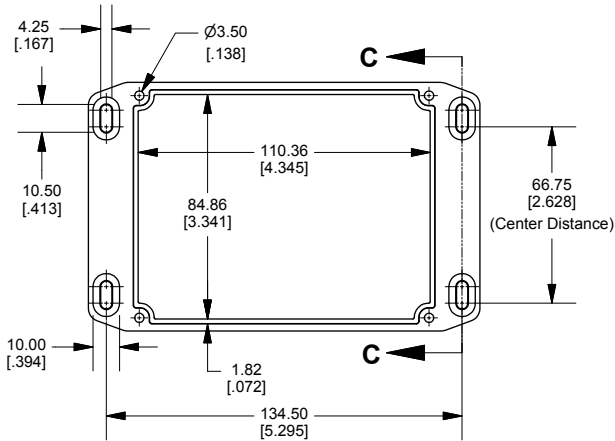
Top View Looking Inside Box



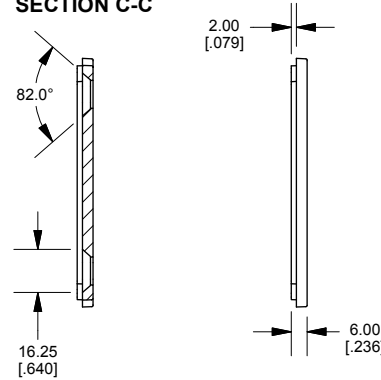
SECTION B-B Side View of Assembly



Flanged Lid



Side View of Slot SECTION C-C



Enclosures can be Factory Modified (Milling, Drilling, Printing etc.)
 Contact Factory mjm@hammondmfg.com for quotes
 Solid models of this enclosure available in STEP or IGES.

NOTE

Purchased assembly includes box, lid and 4 cover screws.
 Box and lid are made from Diecast Aluminum Alloy.
 Silicone Gasket supplied with liquid resistant enclosure.

PART NUMBERS

1590BBSFL Enclosure	
Natural Finish Enclosure	1590BBSFL
Black Textured Enclosure	1590BBSFLBK
1590BBSFL Liquid Resistant Enclosure (Silicone Gasket)	
Natural Finish Enclosure	1590WBBSFL
Black Textured Enclosure	1590WBBSFLBK

ACCESSORIES

Recommended Torque: 75 ozf.in / 55 cN.m	
Liquid Resistant Cover Screws	
Stainless Steel Cover Screws (Pkg 100) [6-32 x 1/2" W with O-Ring]	1590W MS 100
Black Stainless Steel Cover Screws (Pkg 100) [6-32 x 1/2" W with O-Ring]	1590W MS 100BK
Standard Cover Screws	
Plated Cover Screws (Pkg 100) [6-32 x 1/2"]	1590MS 100
Black Cover Screws (Pkg 100) [6-32 x 1/2"]	1590MS 100BK

HAMMOND MANUFACTURING™
1590BBSFL
 www.hammondmfg.com

Dimensions:
 mm
 [inches]