

# rotronic

Datenblatt - Fiche technique - Data sheet

12.02.1048



**ROLINE Konverter USB / 2fach Seriell,**

**ROLINE Convertisseur USB / 2 x sériel,**

**ROLINE USB to 2x RS-232 Converter,**

# ComHub



## 2/1 ports USB to RS-232 Serial Hub

### Features



- Expands 2/1 independent RS-232 serial ports through USB interface
- Supports Universal Serial Bus Plug-n-Play and Hot-Swapping feature
- No IRQ, DMA, I/O address resource required
- Supports USB1.1 full speed 12Mbps and USB2.0 compatible
- Each serial port provides transmission rate up to 115.2Kbps
- 15KV ESD Surge protection for all serial signals
- Compact Size and low power consumption
- Supports both USB bus power and external power
- Support Windows CE / 98 / ME / 2000 / XP / 2003 and Linux Driver

### Overview

ComHub UTS series transform your Universal Serial Bus (USB) port into asynchronous RS-232 serial ports for communication with serial devices. The adapter is compatible with both USB 2.0 and 1.1 specifications and provides serial ports with transfer

speed up to 115.2Kbps. It provides a quick, simple and cost-effective way to bring the advantages of data accessibility and mobile solution for kinds of application.

### Specifications

#### USB Communication

<b>Bus</b>	Universal Serial Bus (USB)
<b>Standard</b>	Compliant with USB1.0, 1.1 and 2.0
<b>Connector</b>	USB Type A
<b>Speed</b>	Full speed 12Mbps

#### Serial Communication

<b>Interface</b>	RS-232
<b>Controller</b>	Prolific 2303HX 16C550 Compatible UART
<b>No. of Port</b>	2-port: UTS2009 1-port: UTS1009/1009D/1025
<b>Port Type</b>	DB9 Male: UTS2009 / 1009 / 1009D DB25 Male: UTS1025
<b>IRQ &amp; IO</b>	Assigned by System
<b>FIFO</b>	16byte hardware FIFO
<b>Baud Rate</b>	75 – 115,200bps
<b>Data bit</b>	5, 6, 7, 8
<b>Stop bit</b>	1, 1.5, 2
<b>Parity</b>	Even, Odd, None, Mark, Space

<b>Flow Control</b>	None, Xon/Xoff, HardWare
<b>Signal</b>	TxD, RxD, RTS, CTS, DTR, DSR, DCD, GND
<b>Protection</b>	15KV ESD protection for all signal

#### Power

<b>Input Power</b>	USB Bus-power
<b>Power</b>	2-port: < 1.0W=5V x 200mA
<b>Consumption</b>	1-port: < 0.8W=5V x 150mA

#### Driver Support

<b>Microsoft</b>	Windows CE4.2/98/ME/2000/XP/2003
<b>Linux</b>	Linux 2.2.x, 2.4.x
<b>MAC</b>	MAC 8.6 or later

#### Mechanical

<b>Dimensions (WxDxH)</b>	75 x 40 x 22 mm: UTS2009 / 1009 / 1025 51 x 33 x 15 mm: UTS1009D
<b>Case</b>	ABS
<b>Weight</b>	114±5g
<b>Cable Length</b>	150mm

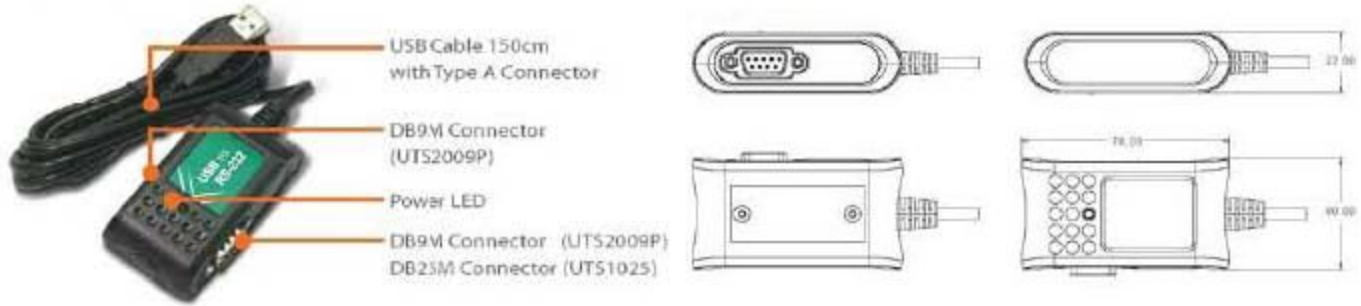
## Regulatory Approvals

<b>Hardware</b>	CE, FCC
<b>Software</b>	Microsoft WHQL

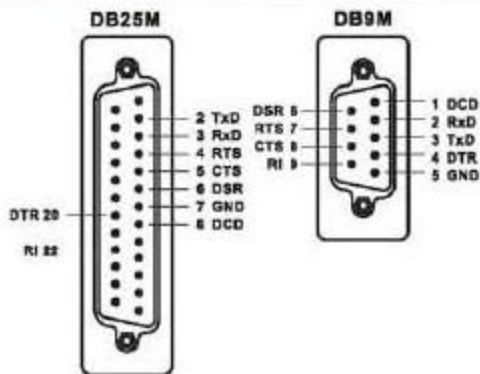
## Operation Environment

<b>Operation Temperature</b>	0°C ~ 57°C
<b>Operation Humidity</b>	5 ~ 95 % RH
<b>Storage Temperature</b>	-20°C ~ 85°C

## Appearance



## Pin Assignment



## Order Information

2 ports USB to RS-232 Serial Hub with DB9M connector

## Packing List

1. USB to RS-232 Serial Hub
2. Quick Installation Guide
3. User's Manual and CD ROM Driver