

# rotronic

**Datenblatt - Fiche technique - Data sheet**

**21.17.3063**

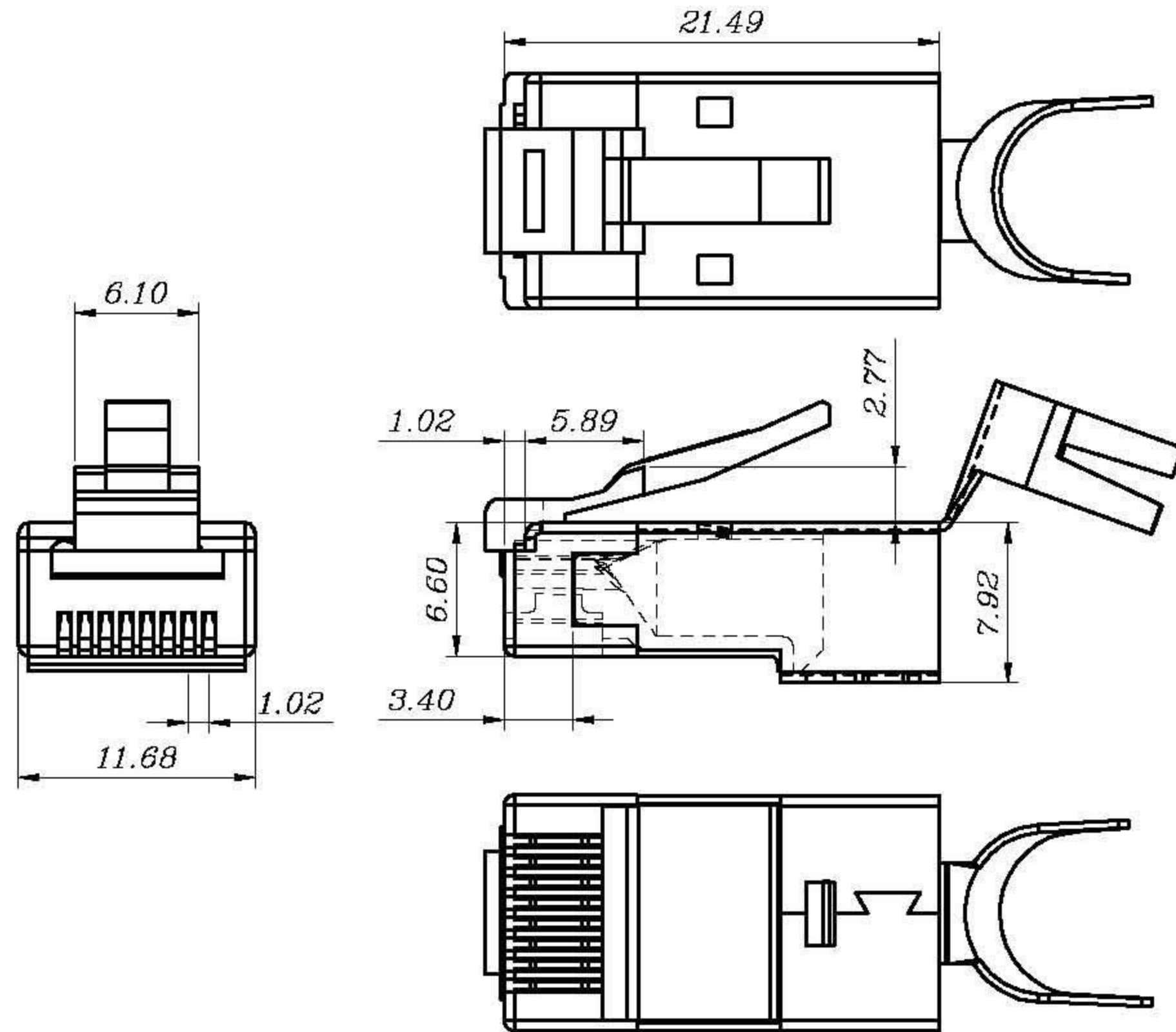


**ROLINE Modular Plug geschirmt, Kat. 6 für Massivdraht, 10 Stck**

**ROLINE Connecteur modulaire blindé Cat.6 pour fil solide,  
10 unités**

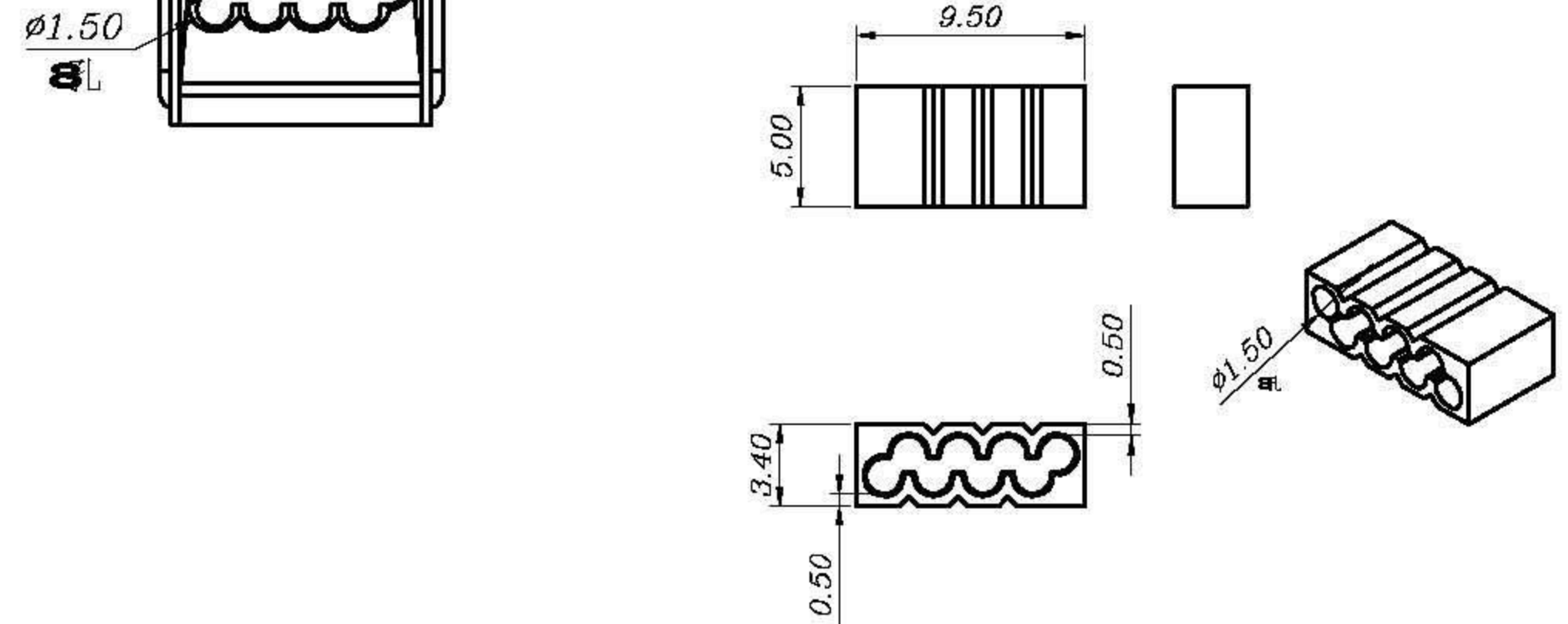
**ROLINE Cat.6 Modular Plug, shielded, for Solid Wire, 10 pcs.**

更改 REV	出图日期 DATE	设变内容 MODIFICATION	修改 DRAWN
	04/05/09		



**SPECIFICATIONS**

- ELECTRICAL:**  
 UL APPLICATIONS: 250 VOLTS AC MAX., AT 2 AMPS.  
 DIELECTRIC WITHSTANDING VOLTAGE: 500 VOLTS AC.  
 INSULATION RESISTANCE: 100 MΩ.  
 TERMINATION: RESISTANCE 20mΩ MAX AFTER ENVIRONMENTAL TESTING.
- MECHANICAL:**  
 CABLE-TO-PLUG TENSILE STRENGTH: 20 POUND MIN.  
 DURABILITY: 200 MATING CYCLES.
- MATERIAL & FINISH:**  
 HOUSING: POLYCARBONATE, UL94V-0 OR UL94V-2.  
 COLOR: TRANSPARENT OR OTHER COLOR ARE AVAILABLE.  
 CONTACT BLADE: COPPER ALLOY.  
 CONDUCTOR: STRANDED & SOLID WIRE, 24AWG, 26 AWG.  
 GOLD PLATING: 3u"~50u", ARE AVAILABLE.



BLADE:	E	Y	Z	A	YL	ZL			
Drawing									
Mark				✓					
GOLD PLATING	3Mu"	3u"	6u"	15u"	30u"	50u"	CABLE TYPE	ROUND	FLAT
Mark					✓		Mark	✓	

<b>ROTRONIC CO., LTD.</b>				
DIMENSION IN mm (Inch) TOLERANCE UNLESS OTHERWISE SPECIFIED		Material: PC	Item no.: 21.17.3063	
.X±0.20	.X°±5°	ROLINE Cat. 6 Modular Plug, STP, for Solid		
.XX±0.10	.XX°±2°			
审核 APPROVAL	核 对 CHECKED	制 图 DRAWN	比 例 SCALE	张 数 SHEET
沈红波	钟均江	LiWenjuan	2/1	1/1
		角 法 PROJ.	更 改 REV	A