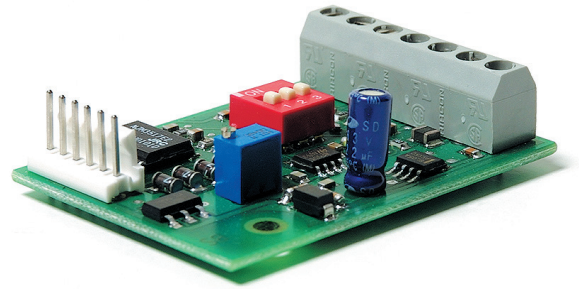


## SAMOTRONIC101

Driver	for unipolar motors
Dimensions (mm)	55 x 40
Supply voltage (VDC)	10-24
Motor current	constant voltage drive
Step mode	full/half step
Clock source	internal or external
Control inputs to	<ul style="list-style-type: none"> <li>■ inhibit internal clock</li> <li>■ inhibit motor current</li> <li>■ change direction of rotations</li> </ul>
Configuration	via DIP-switch, potentiometer



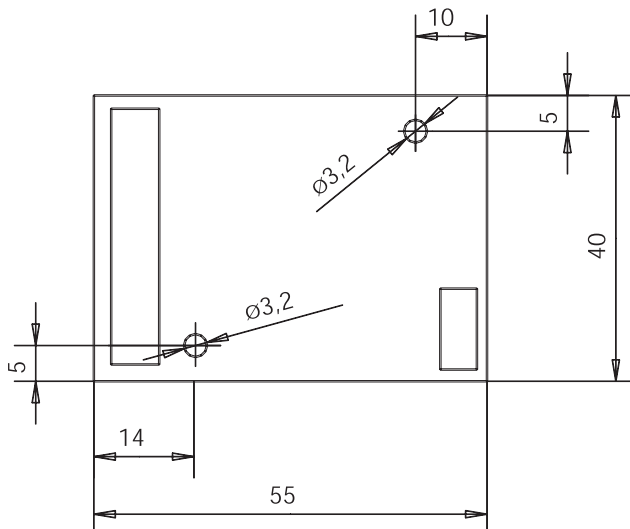
## Preferred Range

Ordering Reference	
4 636 6608 0	If motors are also to be ordered please state: "with MTA-100 receptacles for use with SAMOTRONIC101".
4 636 6608 3	with screw terminal for motor connection, max 0.5 mm <sup>2</sup>

## Technical Data

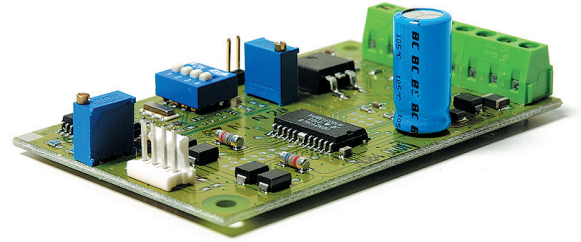
Supply voltage	10-24 VDC
Phase current	≤ 350 mA
Control signal level	LS-TTL (0-5V) for all control inputs
Internal clock	50-360 Hz
External clock	up to 2 kHz
Dimensions	55 x 40 mm
Operating temperature	-5 to +50 °C
Storage temperature	-20 to +70 °C

Dimensions



For latest technical and safety compliance information regarding these products, please download the relevant data sheet from our web site: [www.saia-burgess.com/drivers](http://www.saia-burgess.com/drivers)

## SAMOTRONIC102



Driver	for bipolar motors
Dimensions (mm)	84 x 54
Supply voltage (VDC)	<ul style="list-style-type: none"> <li>■ standard version 10 DC-24</li> <li>■ enhanced version 10 DC-42</li> </ul>
Motor current	<ul style="list-style-type: none"> <li>■ constant current drive (chopper controlled)</li> <li>■ adjustable via potentiometer</li> </ul>
Step mode	full/half step
Clock source	internal or external
Control inputs to	<ul style="list-style-type: none"> <li>■ inhibit internal clock</li> <li>■ inhibit motor current</li> <li>■ change direction of rotations</li> </ul>
Configuration	via DIP-switch, potentiometer
Test pins	<ul style="list-style-type: none"> <li>■ motor current</li> <li>■ step frequency</li> </ul>

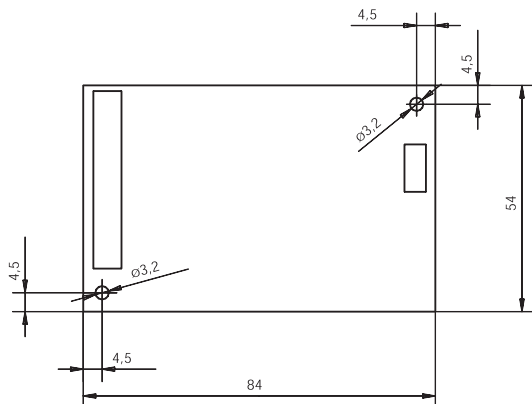
## Preferred Range

Ordering Reference	
4 636 6733 0	10-24VDC supply voltage (standard version)
4 636 6733 3	10-42VDC supply voltage (enhanced version)
If motors are also to be ordered please state: "with MTA-100 receptacles for use with SAMOTRONIC102".	

## Technical Data

Supply voltage	10-24 (42)VDC
Phase current	71-500 mA, on request max. 735mA/ph
Chopper frequency	typ. 20kHz
Control signal level	LS-TTL (0-5V) for all control inputs
Internal clock	50-1325 Hz
External clock	up to 2 kHz
Dimensions	84 x 54 mm
Operating temperature	-20 to +60 °C
Storage temperature	-20 to +80 °C

Dimensions



For latest technical and safety compliance information regarding these products, please download the relevant data sheet from our web site: [www.saia-burgess.com/drivers](http://www.saia-burgess.com/drivers)

# Evaluation-Kit 2

## Evaluation-Kit 2

Driver	for unipolar and bipolar motors
Dimensions (mm)	metal case 164 x 130 x 45
Motor voltage (VDC)	3-48 Unipolar motors
(VAC)	8-48 Bipolar motors (< 8 on request)
Motor current	constant voltage drive and constant current drive (chopper controlled)
Step mode	full/half/micro step
Clock source	internal, programmable
Control inputs to	<ul style="list-style-type: none"><li>■ 3 digital inputs</li><li>■ 4 signal outputs</li><li>■ 1 analog input 0...10 VDC</li><li>■ relay contact</li></ul>
Configuration	RS 232, USB



## Order Reference

4 717 4898 0

Power supply (on request)

## Technical Data

Supply voltage	10-48 VDC/24 VAC
Phase current	≤ up to 2.3 A
Step modes	11 (full, half, wave ... microstep)
Max. step frequency	10 kHz
PLC	max. 256 steps, 65536 loops
Operating temperature	0 ... +55 °C
Storage temperature	-20 to +80 °C

Test the Stepconfreeware without hardware in a special demo mode ([www.saia-burgess.com/evaluationkit2](http://www.saia-burgess.com/evaluationkit2)).

For further information please contact your Saia-Burgess sales company or see our website [www.saia-burgess.com](http://www.saia-burgess.com).

