

# Displayport Plus HDMI Dual Stack Connector

**RoHS  
Compliant**

## Specifications:

Connector Mounting : PCB  
 Connector Type : HDMI / DisplayPort  
 Contact Plating : Gold  
 Contact Termination : Through Hole Right Angle  
 Gender : Receptacle, Receptacle  
 No. of Contacts : 39

## Electrical:

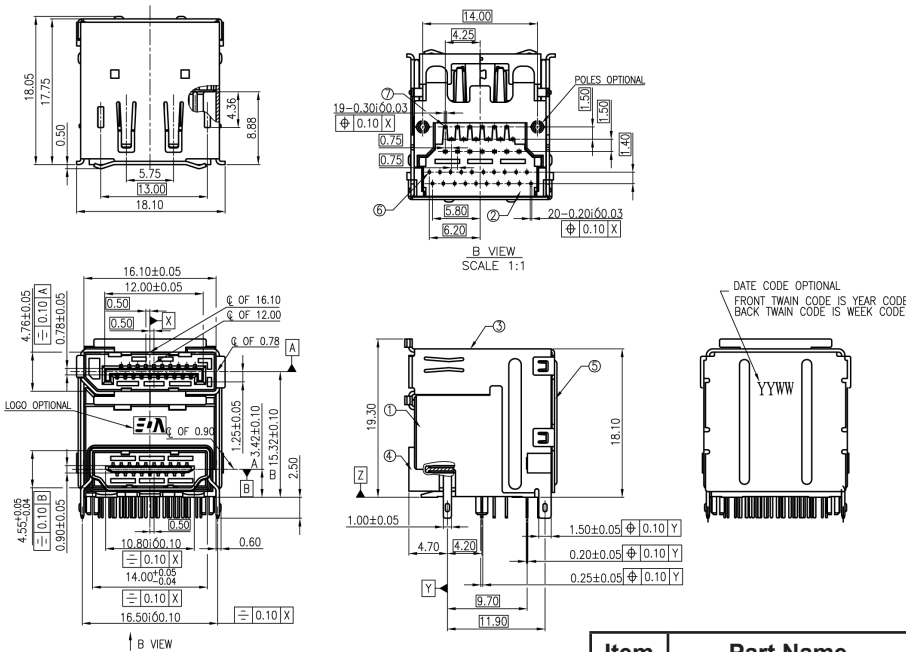
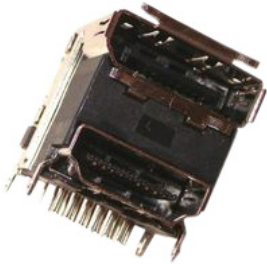
Contact Current Rating : 0.5A Max.  
 Voltage Rating : 40V AC (RMS)  
 Withstanding Voltage(mated) : 300V AC (RMS)  
 Insulation Resistance (mated) : 150V DC

## Mechanical:

Insertion Force : 44.1" Max  
 Withdrawal Force : 9.8" Min, 39.2" Max

## Environmental:

Operating Temperature : -25°C to +85°C

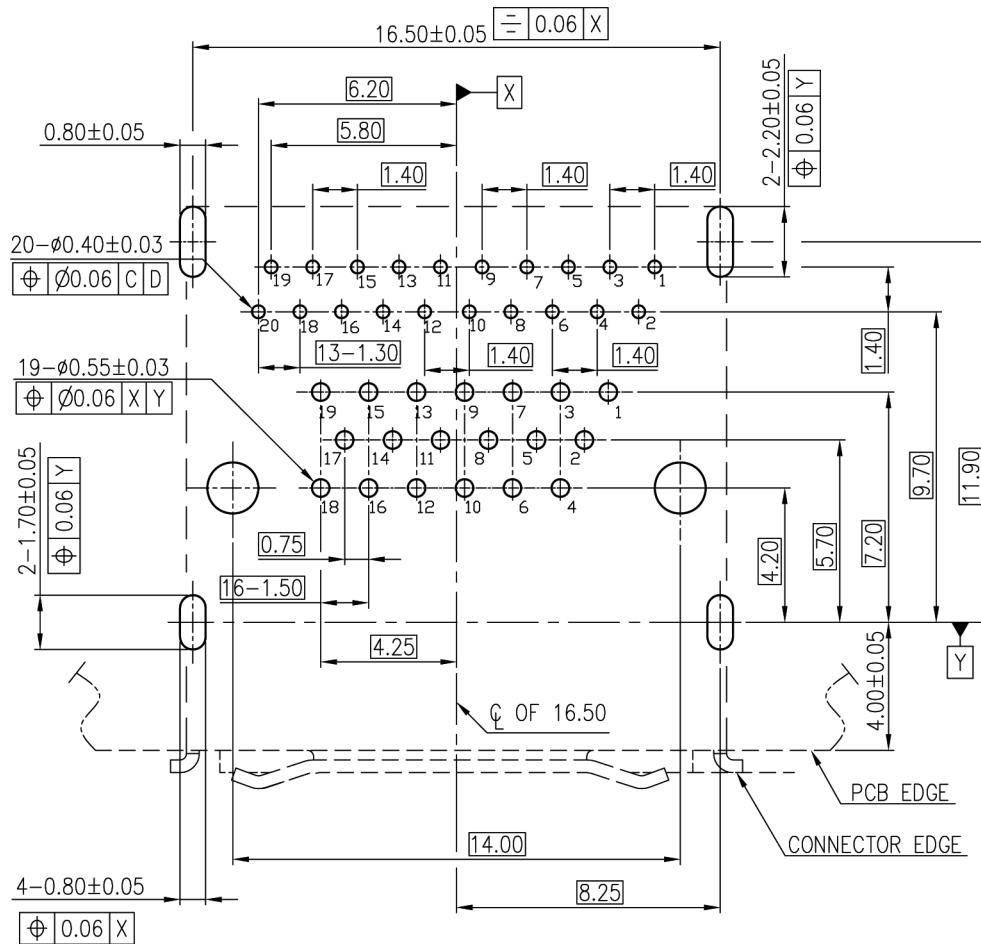


Dimensions : Millimetres

Item	Part Name	Q'ty	Materials	Notes
1	Housing	1	Thermoplastic	UL94V-0
2	Spacer			
3	Display port Shell		Copper Alloy	Cu under plating Ni over
4	HDMI Shell			
5	Back Shell		Steel	
6	Display port Contact	20	Copper Alloy	Selectiver Au over Ni
7	HDMI Contact	19		

www.element14.com  
 www.farnell.com  
 www.newark.com





RECOMMENDED PCB LAYOUT (SCALE 2:1)  
THICKNESS=1.6±0.10mm

Dimensions : Millimetres

### Part Number Table

Description	Part Number
Connector, Display Port, 2 × Receptacle, 39Pos	MCH6BDSB2AN

**Important Notice :** This data sheet and its contents (the "Information") belong to the members of the Premier Farnell group of companies (the "Group") or are licensed to it. No licence is granted for the use of it other than for information purposes in connection with the products to which it relates. No licence of any intellectual property rights is granted. The Information is subject to change without notice and replaces all data sheets previously supplied. The Information supplied is believed to be accurate but the Group assumes no responsibility for its accuracy or completeness, any error in or omission from it or for any use made of it. Users of this data sheet should check for themselves the Information and the suitability of the products for their purpose and not make any assumptions based on information included or omitted. Liability for loss or damage resulting from any reliance on the Information or use of it (including liability resulting from negligence or where the Group was aware of the possibility of such loss or damage arising) is excluded. This will not operate to limit or restrict the Group's liability for death or personal injury resulting from its negligence. Multicomp is the registered trademark of the Group. © Premier Farnell plc 2012.